



US00D559653S

(12) **United States Design Patent**  
**Reichling et al.**

(10) **Patent No.:** **US D559,653 S**  
(45) **Date of Patent:** **\*\* Jan. 15, 2008**

(54) **ILLUMINATED VEHICLE GRAB HANDLE WITH KEYPAD**  
(75) Inventors: **Anita L. Reichling**, New Hampton, IA (US); **David Magner**, Calmar, IA (US); **Daniel J. DeBoer**, Waucoma, IA (US)

6,164,805 A 12/2000 Hulse  
6,415,732 B1 7/2002 Delorenzo  
6,523,888 B1 2/2003 Yan et al.  
6,553,629 B2 4/2003 Grady et al.  
6,592,240 B2 7/2003 Camarota et al.  
6,793,385 B2\* 9/2004 Tiesler et al. .... 362/501  
2005/0006917 A1 1/2005 Sparks et al.

(73) Assignee: **Trimark Corporation**, New Hampton, IA (US)

\* cited by examiner

(\*\*) Term: **14 Years**

*Primary Examiner*—Paula A. Greene  
(74) *Attorney, Agent, or Firm*—McKee, Voorhees & Sease, P.L.C.

(21) Appl. No.: **29/247,154**

(22) Filed: **Jun. 2, 2006**

(57) **CLAIM**

(51) **LOC (8) Cl.** ..... **08-06**  
(52) **U.S. Cl.** ..... **D8/315**  
(58) **Field of Classification Search** ..... D8/300,  
D8/315, 316, 319, 320, DIG. 1; D23/250–254;  
D6/546, 549, 550; 16/110.1, 412, 414–420,  
16/441, 443–446; 4/576.1; 296/215; 362/399,  
362/501; 228/170; 239/56  
See application file for complete search history.

We claim the ornamental design for a illuminated vehicle grab handle with keypad, substantially as shown and described.

**DESCRIPTION**

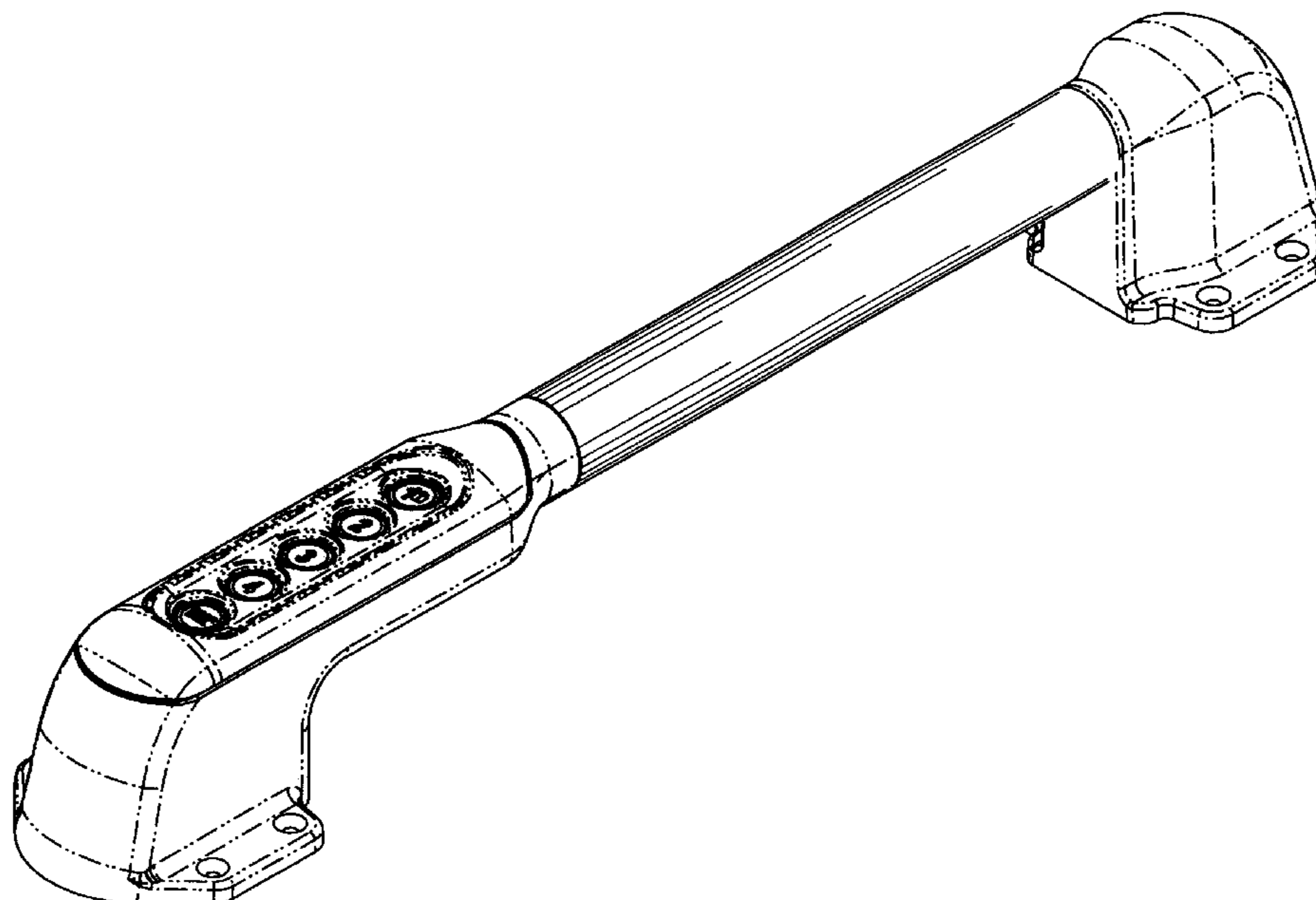
(56) **References Cited**

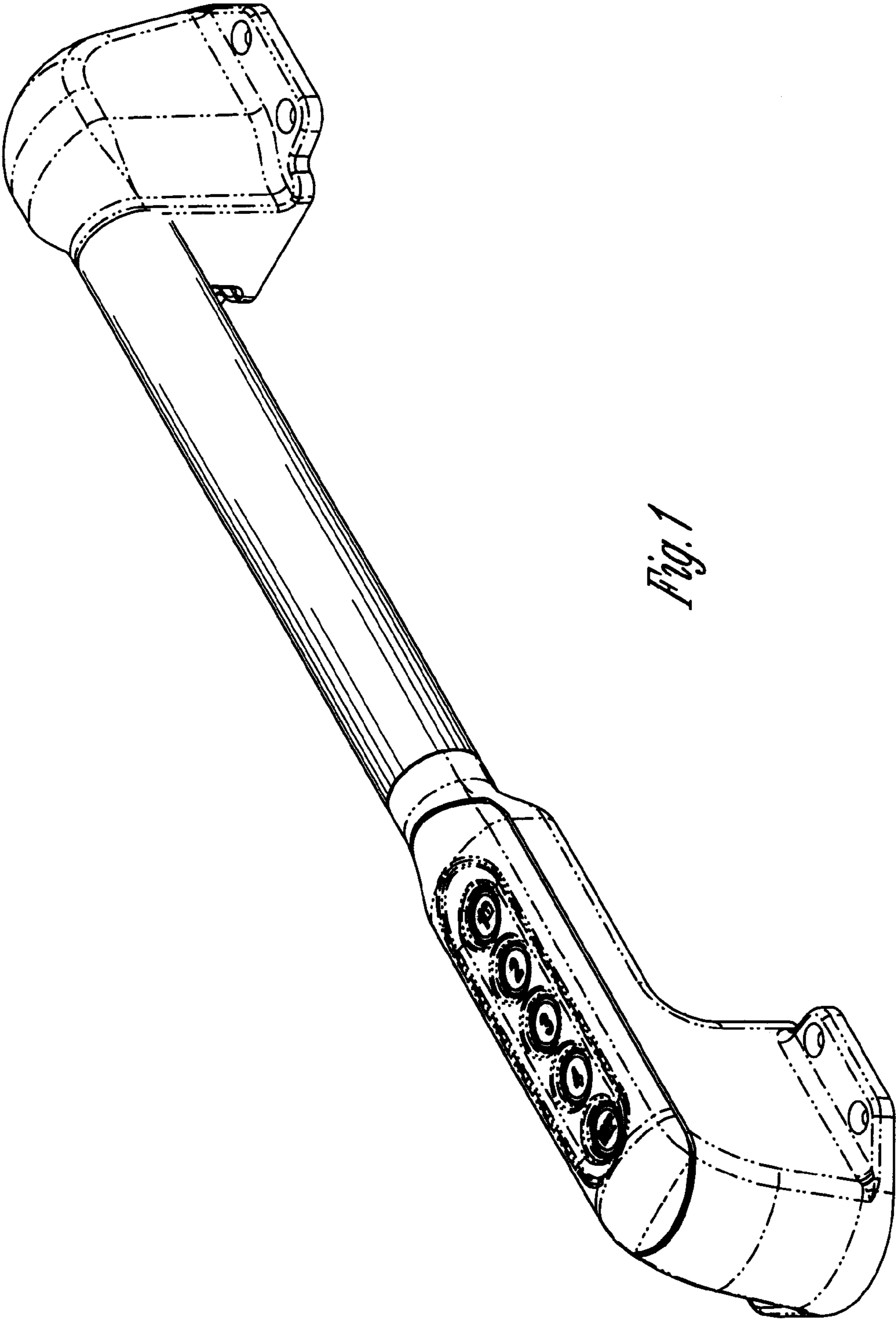
**U.S. PATENT DOCUMENTS**

2,851,304 A \* 9/1958 Timms ..... 239/56  
3,156,977 A \* 11/1964 Logan ..... 228/170  
5,025,352 A 6/1991 Brown  
5,297,010 A 3/1994 Camarota et al.  
5,577,275 A \* 11/1996 Guenther ..... 4/576.1  
5,779,228 A 7/1998 Hansen  
6,065,852 A 5/2000 Crumley  
6,135,621 A 10/2000 Bach et al.

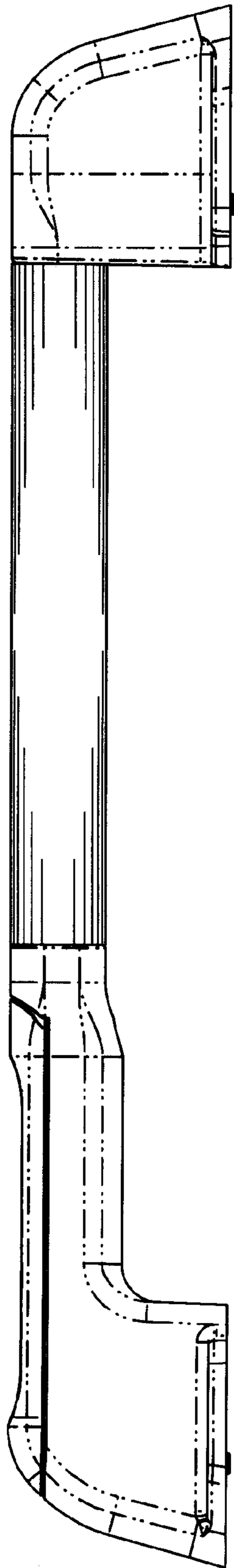
FIG. 1 is a front perspective view of an illuminated vehicle grab handle with keypad showing our new design, the dashed lines represent curvatures in the mounting brackets;  
FIG. 2 is a side elevational view thereof;  
FIG. 3 is a side elevational view thereof;  
FIG. 4 is an end elevational view thereof;  
FIG. 5 is an end elevational view thereof; and,  
FIG. 6 is a top plan view thereof, the undisclosed bottom is not part of the claimed design.  
No claim is made to the bottom of the handle.

**1 Claim, 3 Drawing Sheets**

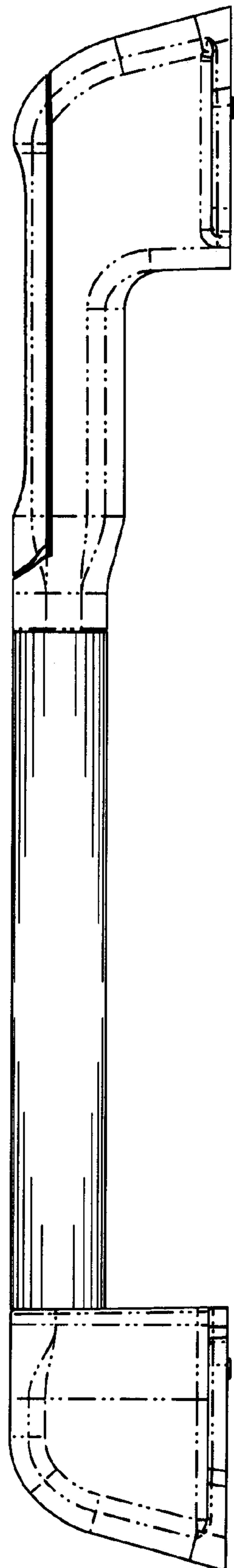




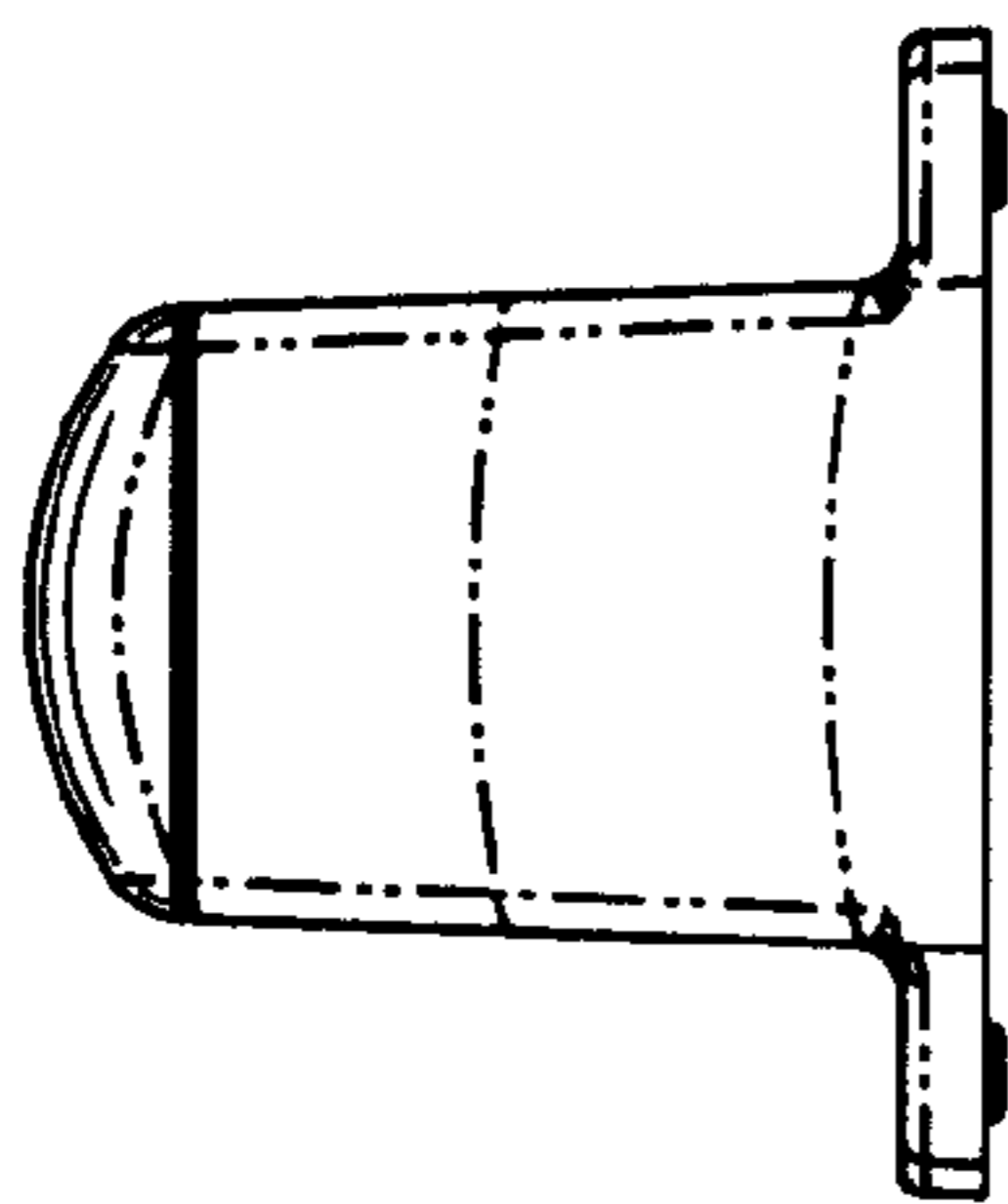
*Fig. 1*



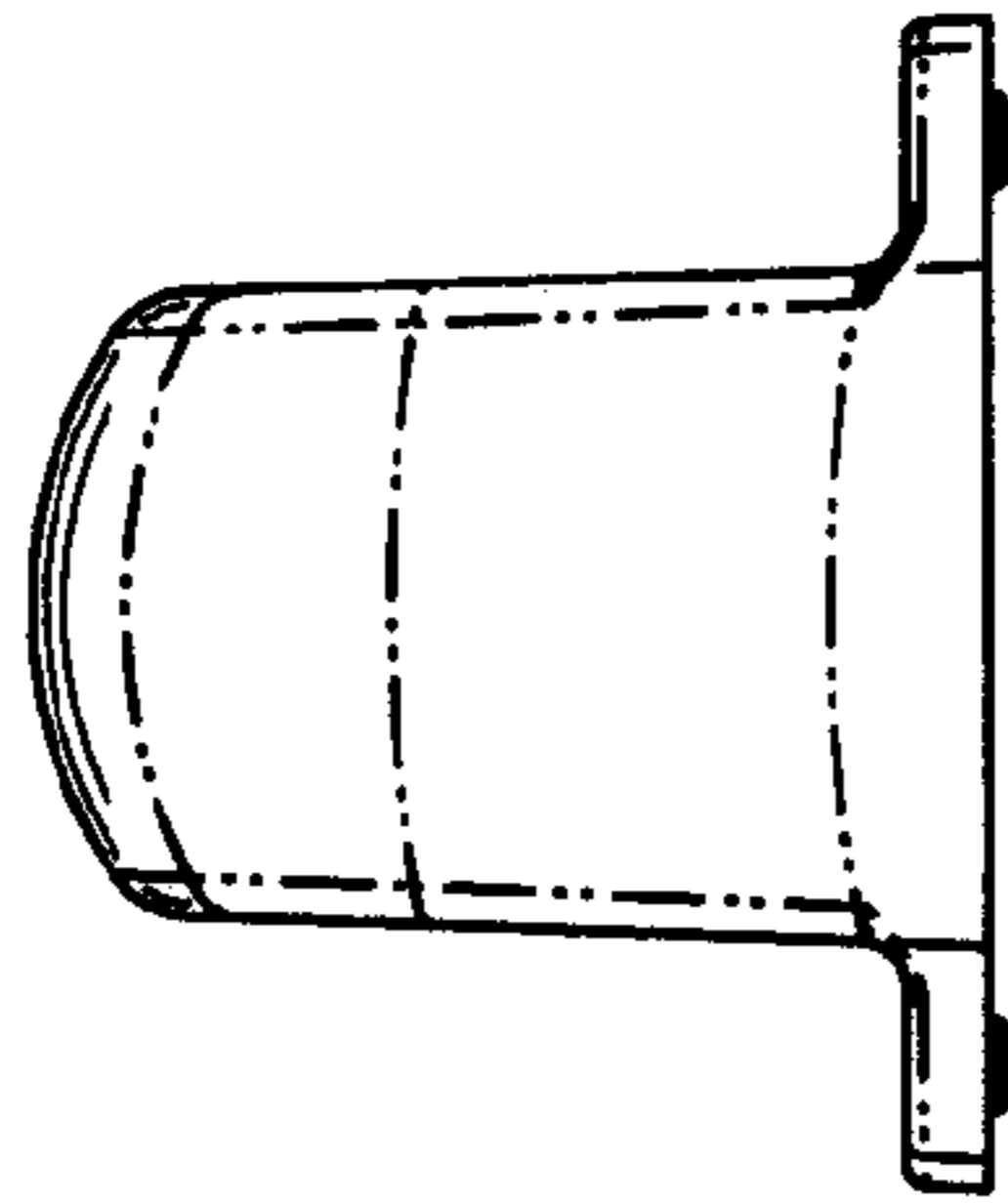
*Fig. 2*



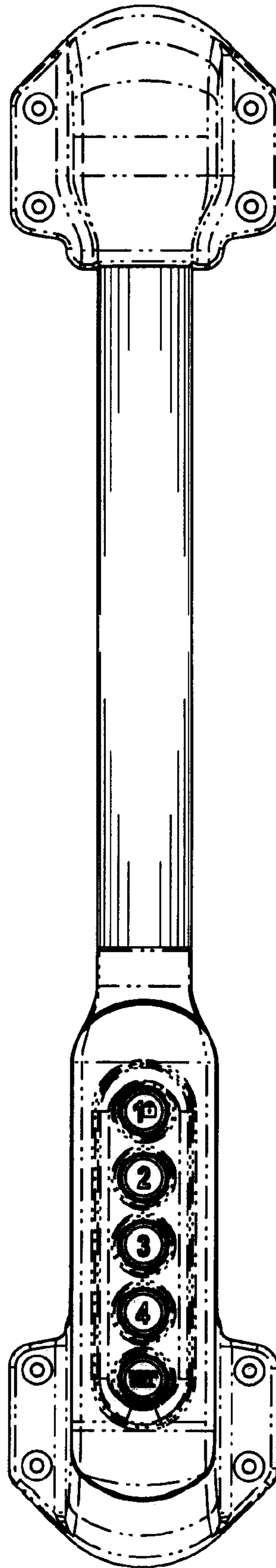
*Fig. 3*



*Fig. 4*



*Fig. 5*



*Fig. 6*