



US00D559652S

(12) **United States Design Patent**
Brimacombe et al.

(10) **Patent No.:** **US D559,652 S**

(45) **Date of Patent:** **** Jan. 15, 2008**

(54) **HANDLE**

(75) Inventors: **Steven John Brimacombe**, Middlesex (GB); **Stephen Nicholas Charles**, Surrey (GB)

(73) Assignee: **Smallbone USA, Inc.**, New York, NY (US)

(**) Term: **14 Years**

(21) Appl. No.: **29/275,697**

(22) Filed: **Jan. 4, 2007**

(51) **LOC (8) Cl.** **08-01**

(52) **U.S. Cl.** **D8/305**

(58) **Field of Classification Search** D8/300, D8/302, 305, 307, 310, 315-320, DIG. 1; D25/113; 16/110.1, 412, 414, 415, 417; 52/605

See application file for complete search history.

(56) **References Cited**

U.S. PATENT DOCUMENTS

D93,848 S * 11/1934 Rettich D8/305
D95,926 S * 6/1935 Rettich D8/305

D174,547 S * 4/1955 Gulliksen D8/319
2,847,848 A * 8/1958 Grants 52/605
D196,494 S * 10/1963 Massen D8/314
D199,967 S * 1/1965 Gelert D8/316
D257,476 S * 11/1980 Sirois D8/316
D315,488 S * 3/1991 Tremonti D8/316
D434,963 S * 12/2000 Short D8/316

* cited by examiner

Primary Examiner—Paula A. Greene

(74) *Attorney, Agent, or Firm*—Alston & Bird LLP

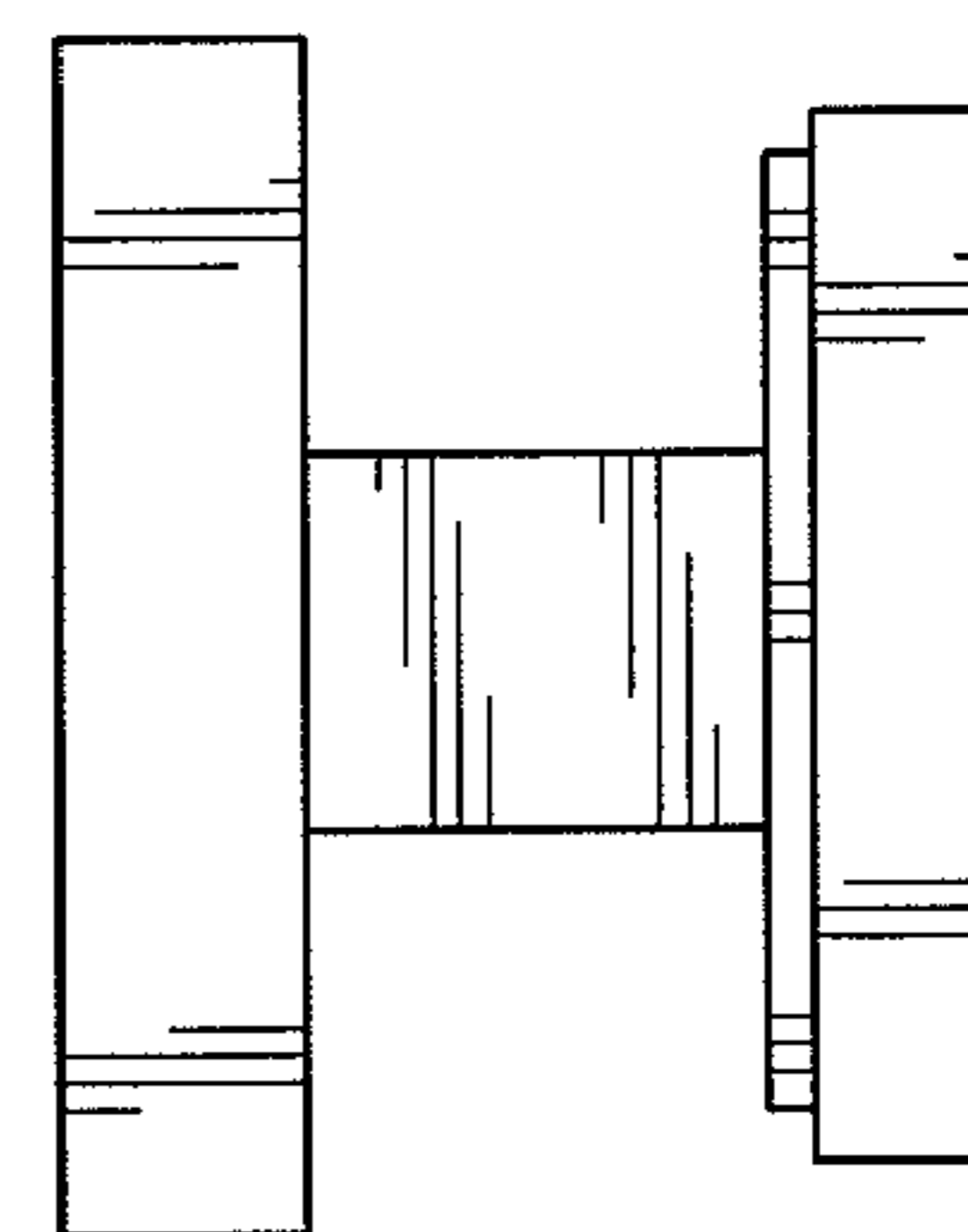
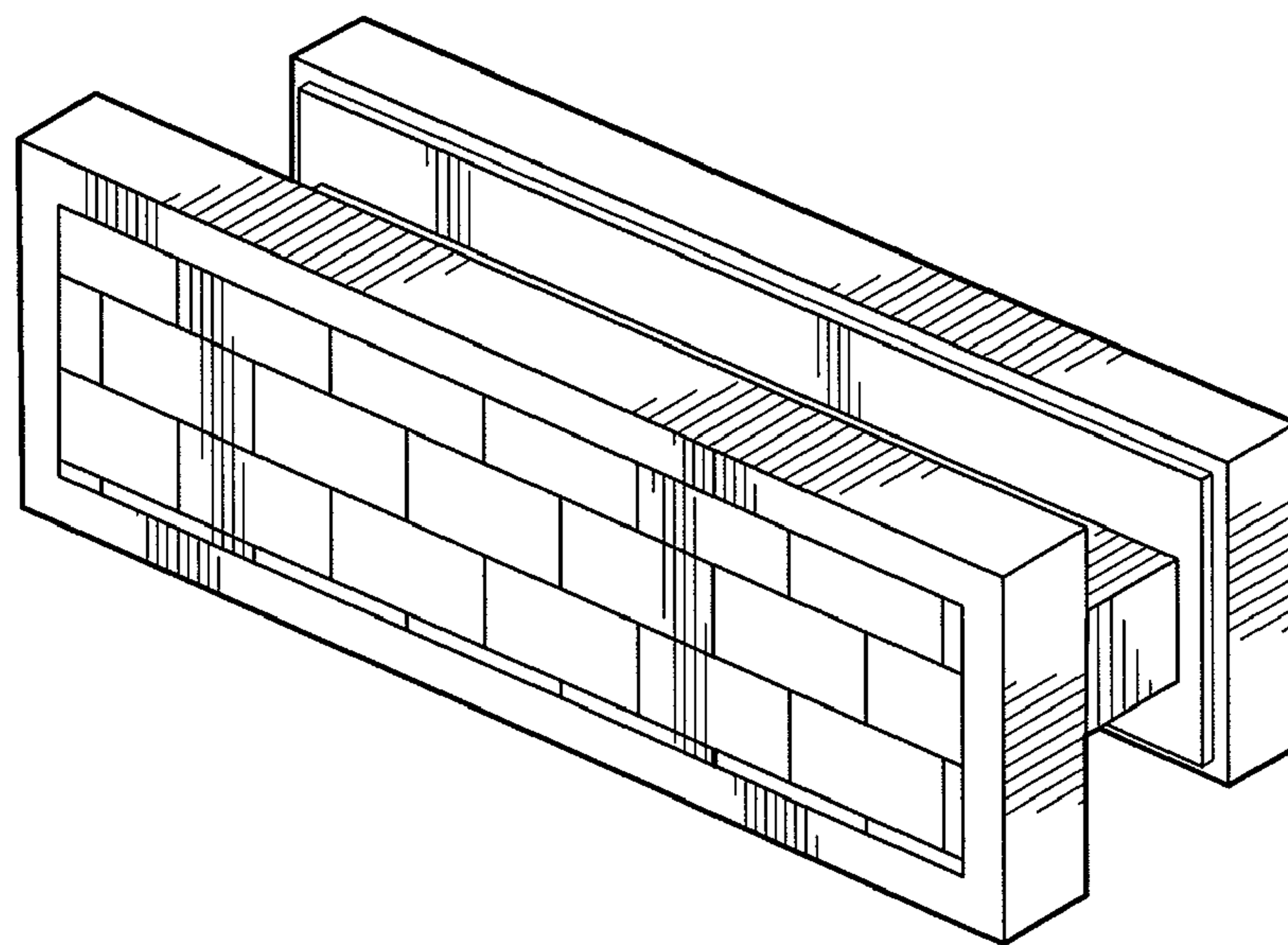
(57) **CLAIM**

The ornamental design for a handle, as shown and described.

DESCRIPTION

FIG. 1 is a perspective view of a handle of our new design; FIG. 2 is a front elevation view thereof; FIG. 3 is a top plan view thereof; FIG. 4 is a right side elevation view thereof, the left side elevation view being a mirror image thereof; and, FIG. 5 is another perspective view of a handle of our new design.

1 Claim, 2 Drawing Sheets



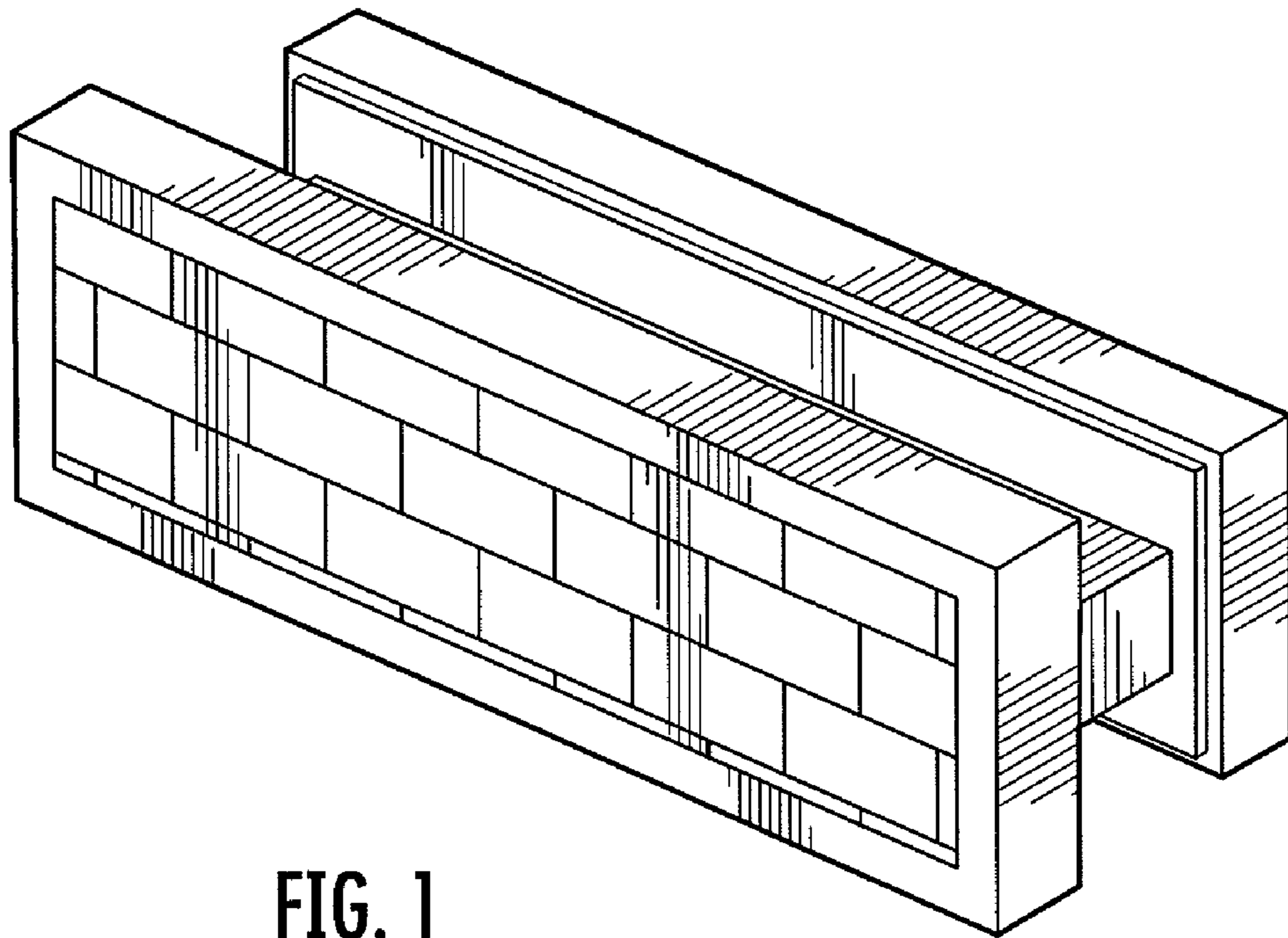


FIG. 1

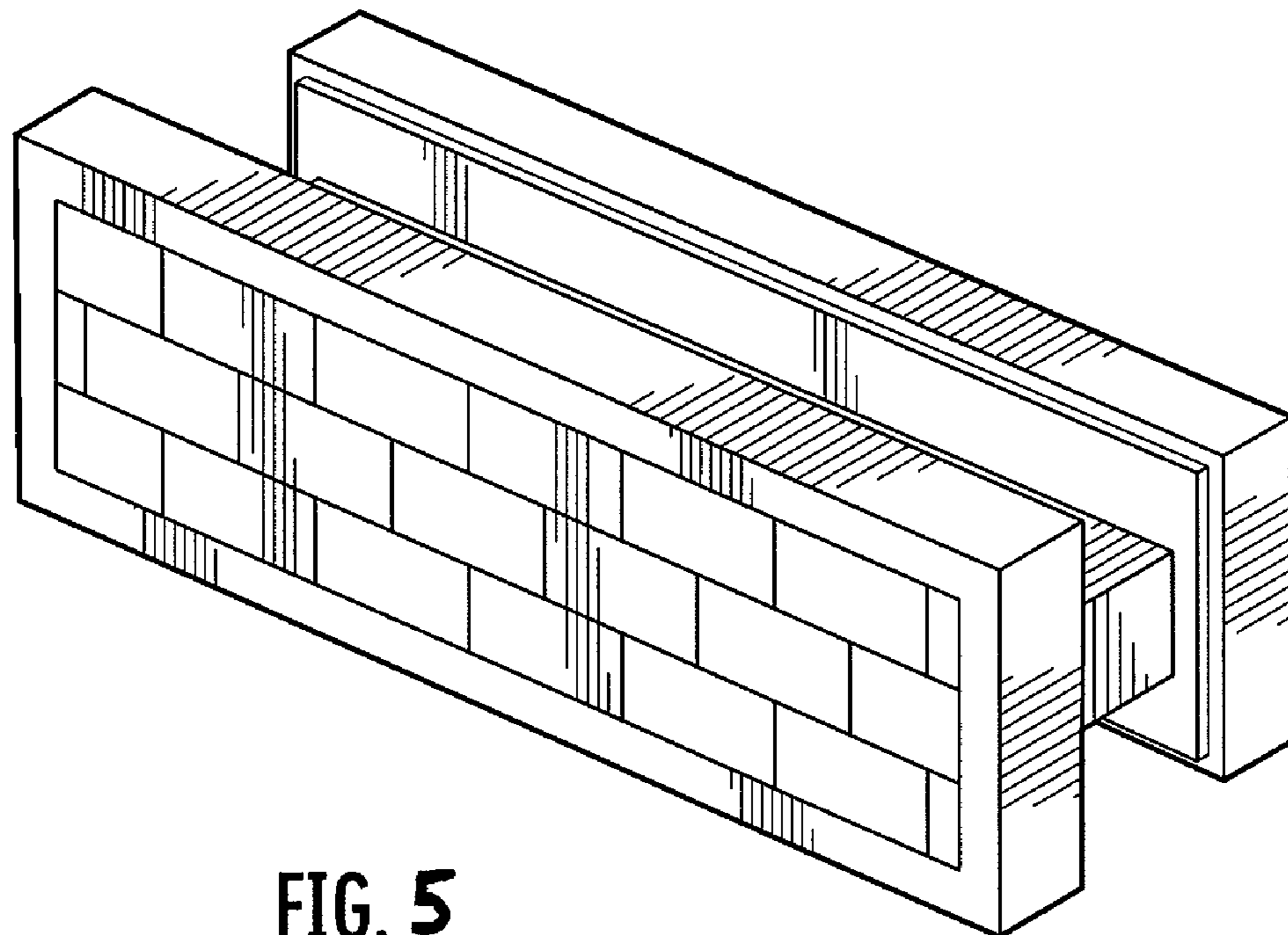


FIG. 5

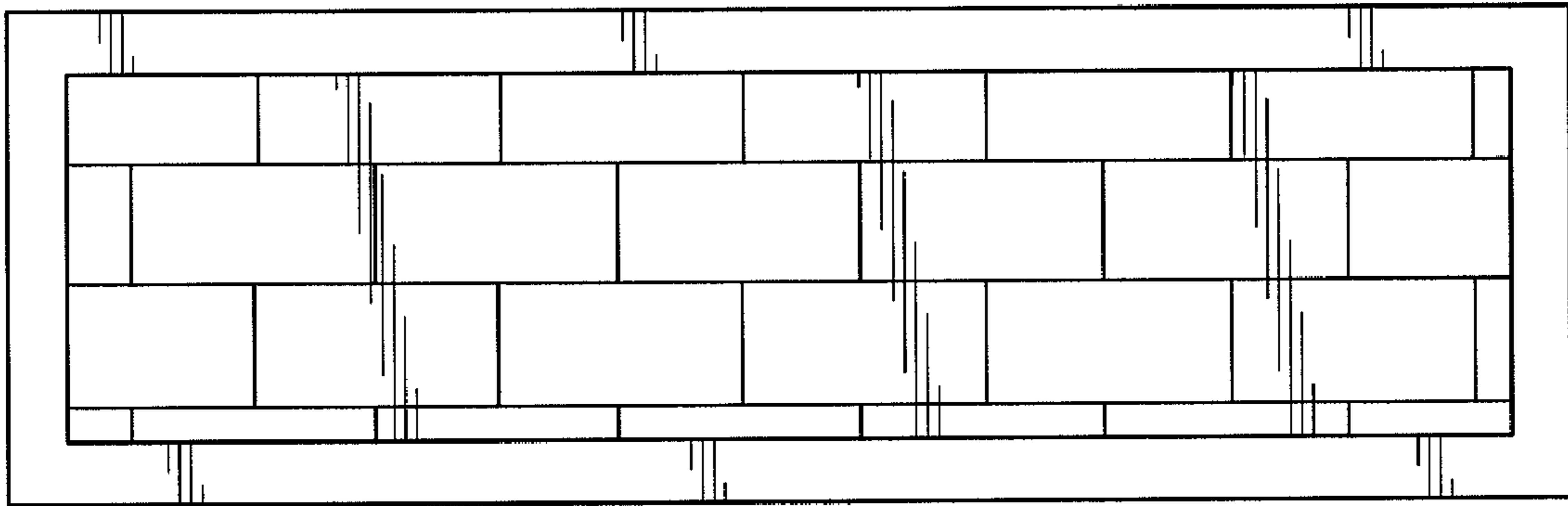


FIG. 2

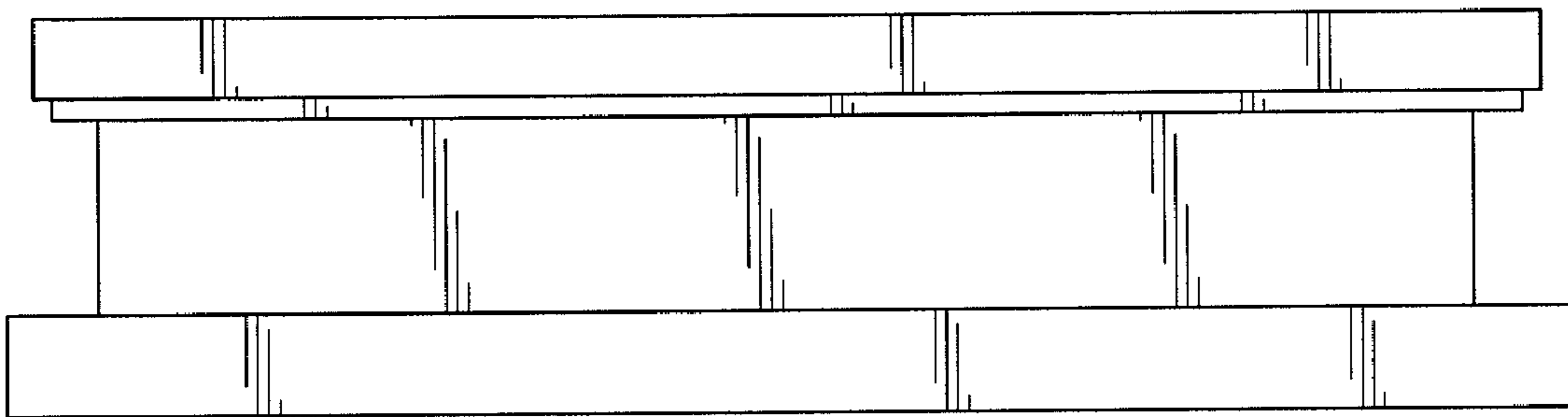


FIG. 3

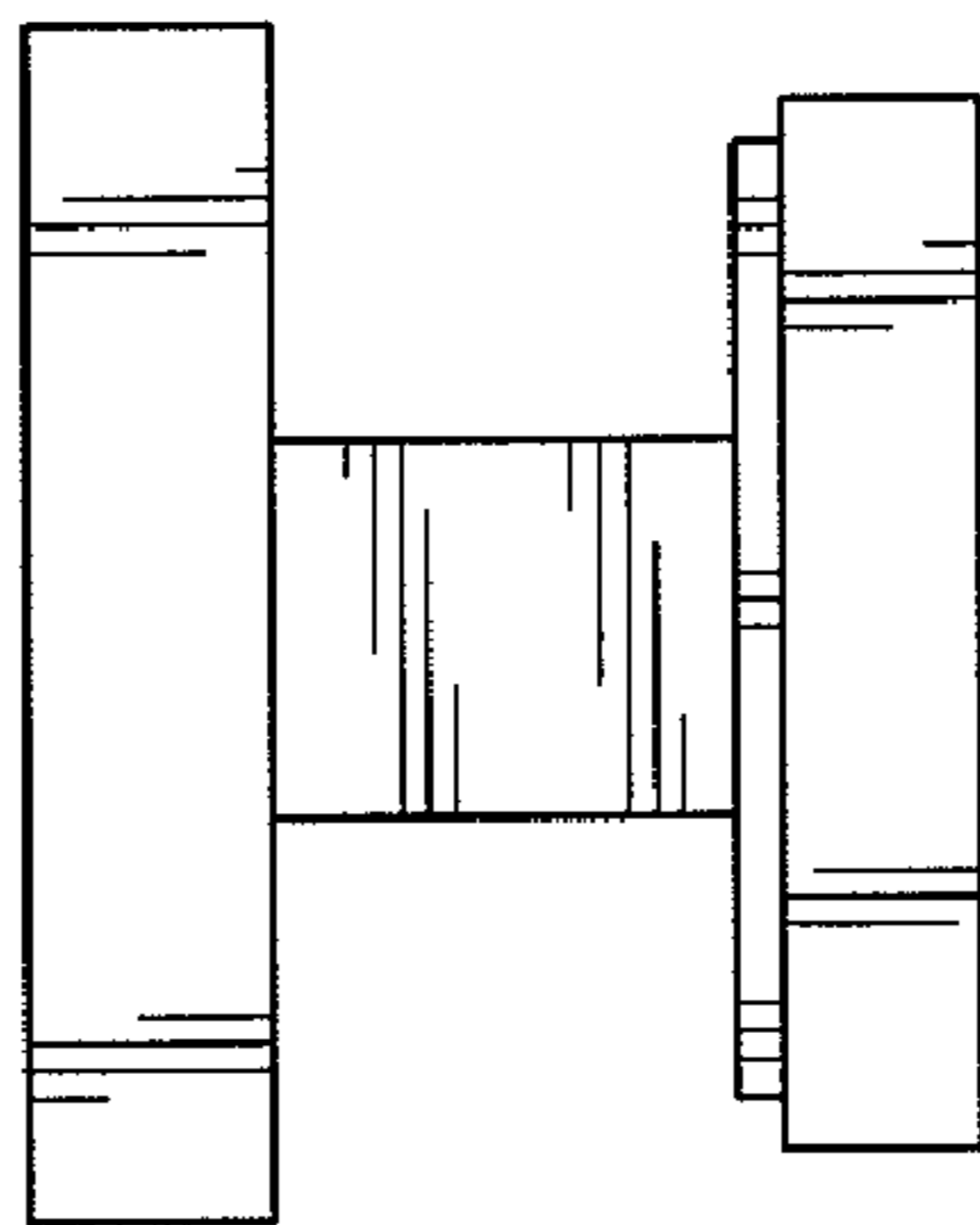


FIG. 4