



US00D559651S

(12) **United States Design Patent**  
**Takamasa**

(10) **Patent No.:** **US D559,651 S**

(45) **Date of Patent:** **\*\* \*Jan. 15, 2008**

(54) **UTILITY KNIFE**

(75) Inventor: **Mitsuhiro Takamasa**, Kameoka (JP)

(73) Assignee: **KDS Corporation**, Kyoto (JP)

(\*) Notice: This patent is subject to a terminal disclaimer.

(\*\*) Term: **14 Years**

(21) Appl. No.: **29/253,125**

(22) Filed: **Feb. 2, 2006**

(30) **Foreign Application Priority Data**

Aug. 3, 2005 (JP) ..... 2005-022578

(51) **LOC (8) Cl.** ..... **08-03**

(52) **U.S. Cl.** ..... **D8/99**

(58) **Field of Classification Search** ..... D8/98,  
D8/99, 105, 107; 30/320, 329, 337, 161,  
30/162, 2

See application file for complete search history.

(56) **References Cited**

**U.S. PATENT DOCUMENTS**

5,269,063	A	*	12/1993	Okada	.....	30/162
D386,959	S	*	12/1997	Okada	.....	D8/99
D398,829	S	*	9/1998	Okada	.....	D8/99
D399,114	S	*	10/1998	Okada	.....	D8/99
D436,825	S	*	1/2001	Chen	.....	D8/99
D442,054	S	*	5/2001	Okada et al.	.....	D8/99
D443,807	S	*	6/2001	Okada	.....	D8/99

D453,673	S	*	2/2002	Chen	.....	D8/99
D458,106	S	*	6/2002	Chong	.....	D8/99
D459,189	S	*	6/2002	Chong	.....	D8/99
D497,301	S	*	10/2004	Kondo et al.	.....	D8/99
D499,948	S	*	12/2004	Kondo et al.	.....	D8/99
D511,448	S	*	11/2005	Chen	.....	D8/99
D517,894	S	*	3/2006	Kondo et al.	.....	D8/99
D523,316	S	*	6/2006	Kondo et al.	.....	D8/99

**OTHER PUBLICATIONS**

Catalogue, "Super L and Super AL," OLFA Kabushiki Kaisha, Japanese Publicly Known Exhibit No. HN12015411 (Feb. 2, 2001).

\* cited by examiner

*Primary Examiner*—Philip S. Hyder

(74) *Attorney, Agent, or Firm*—Birch, Stewart, Kolasch & Birch, LLP

(57) **CLAIM**

The ornamental design for a utility knife, as shown.

**DESCRIPTION**

FIG. 1 is a perspective view of a utility knife showing my new design;

FIG. 2 is a front view thereof;

FIG. 3 is a rear view thereof;

FIG. 4 is a right side view thereof;

FIG. 5 is a left side view thereof;

FIG. 6 is a top plan view thereof; and,

FIG. 7 is a bottom plan view thereof.

**1 Claim, 3 Drawing Sheets**

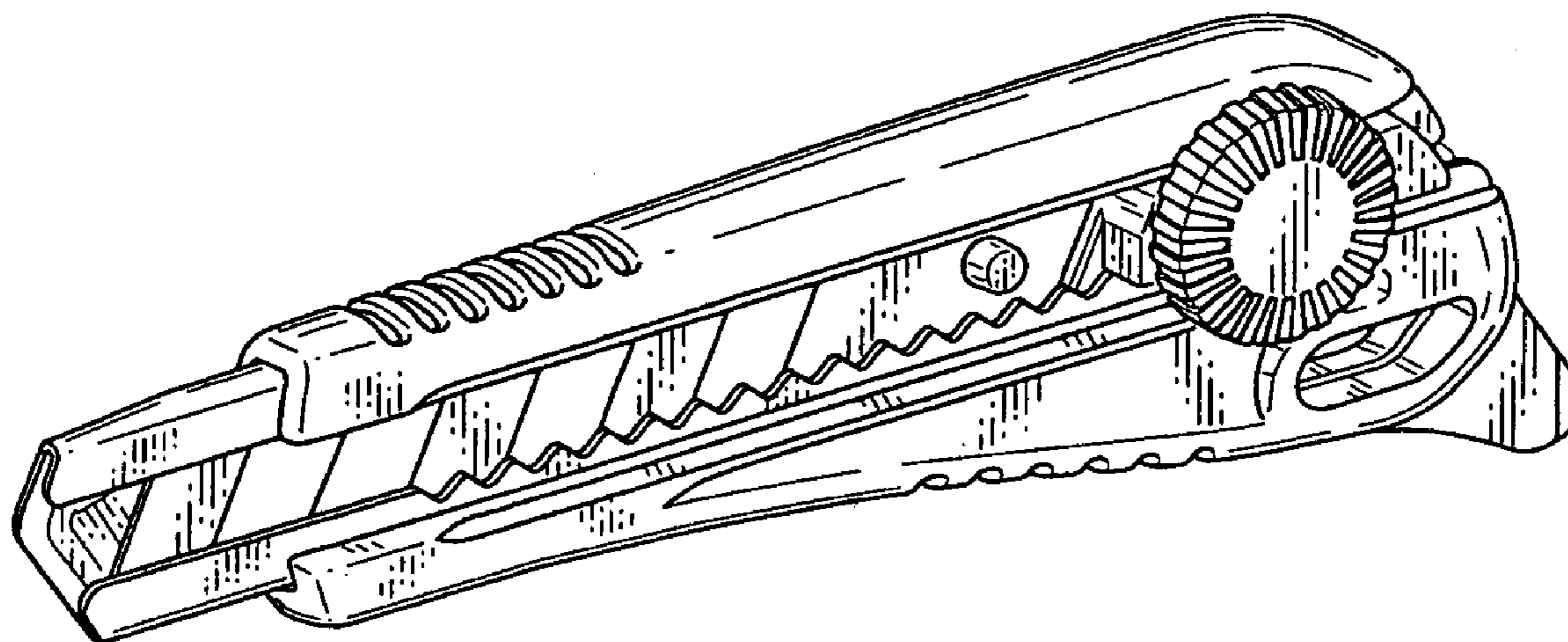


Fig. 1

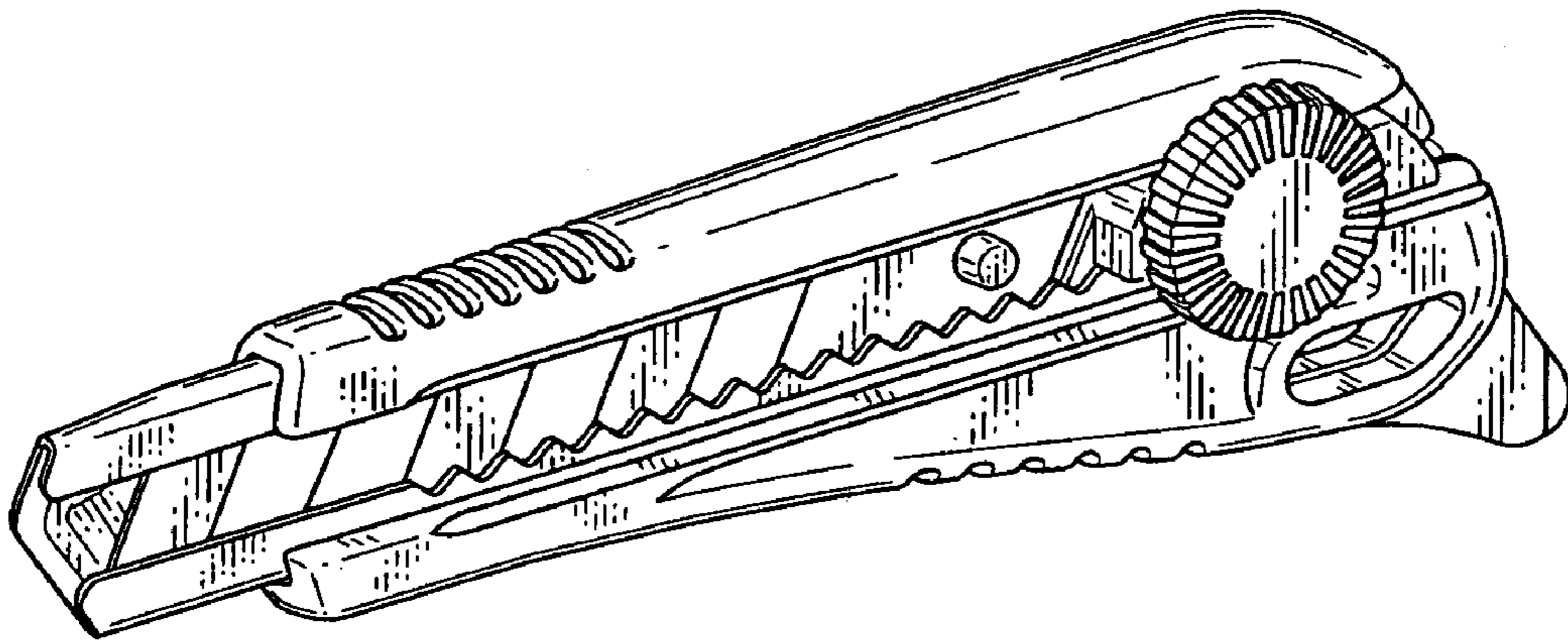


Fig. 2

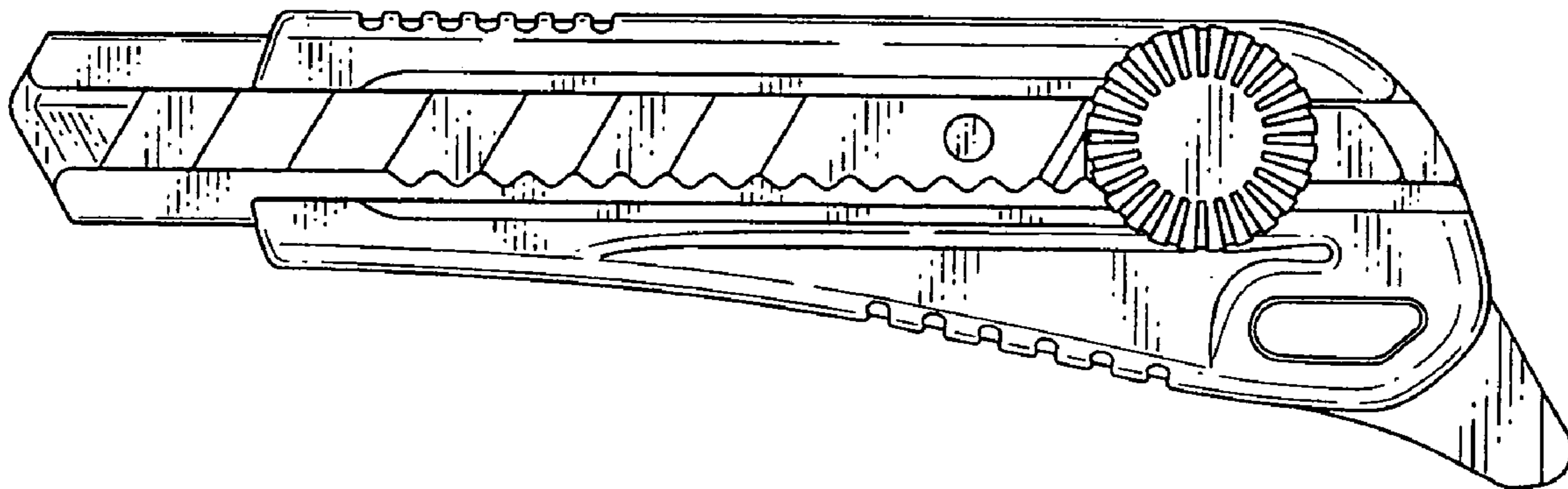


Fig. 3

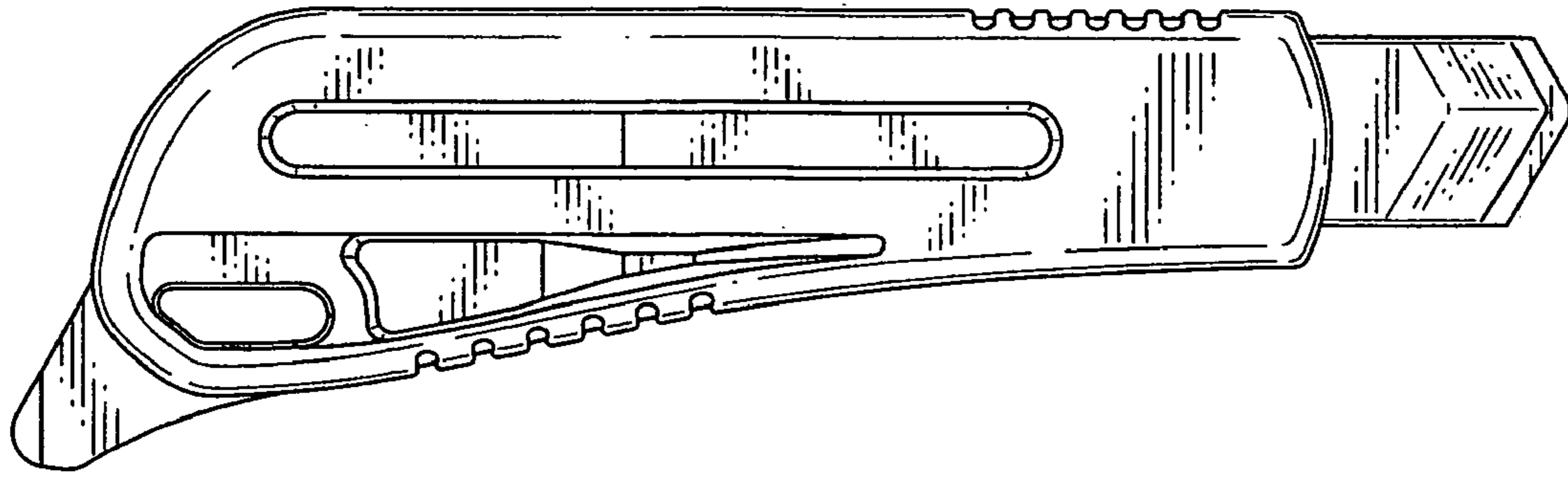


Fig. 4

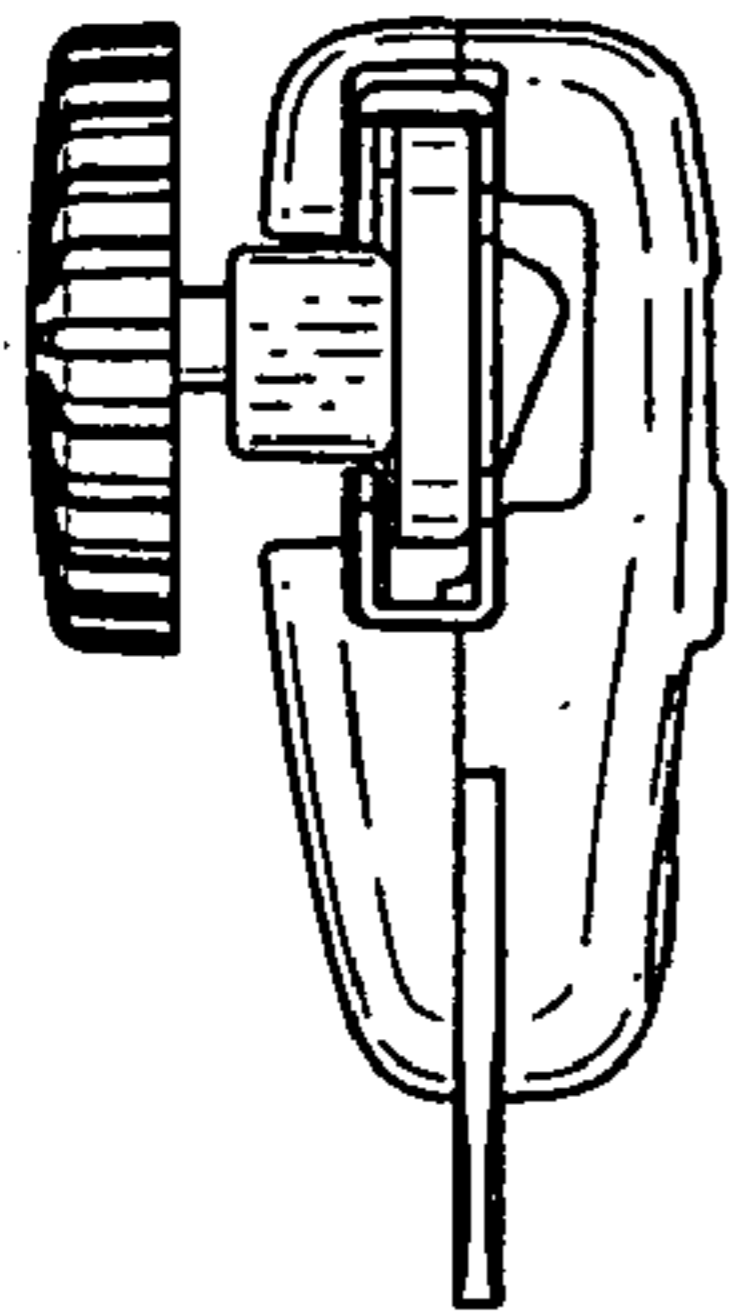


Fig. 5

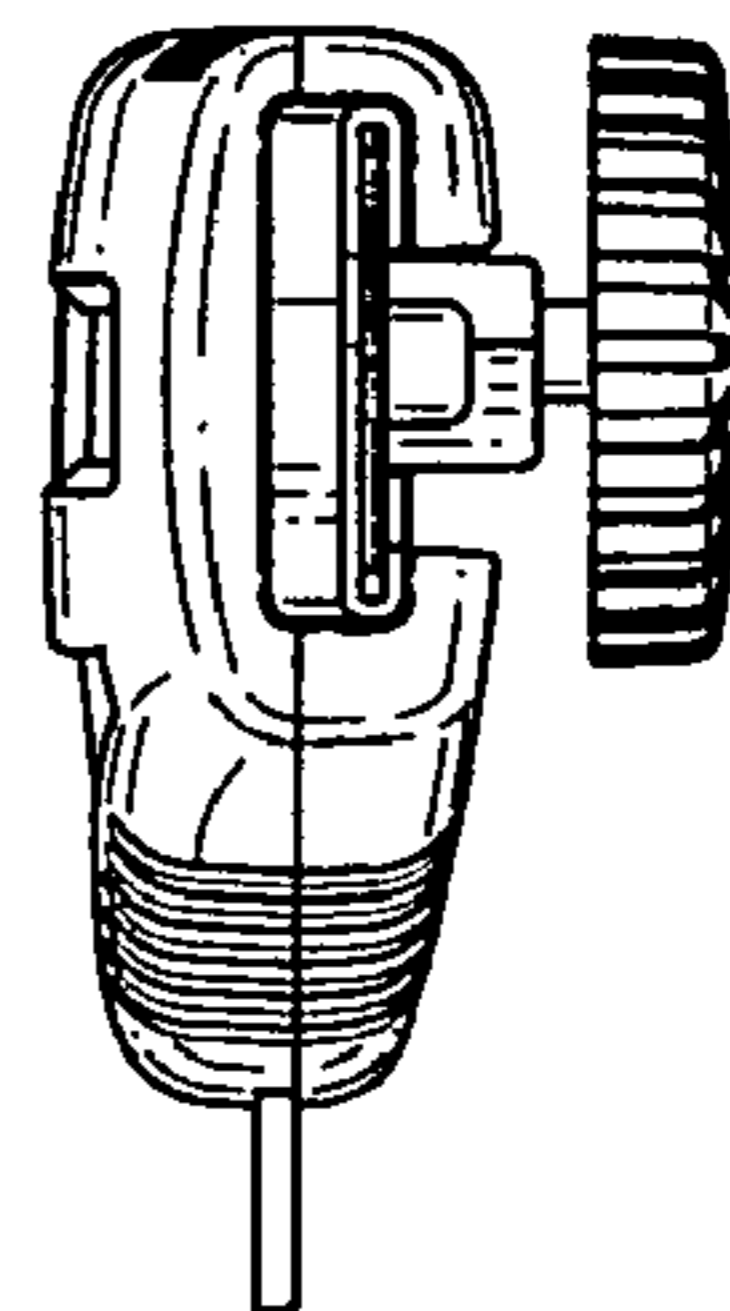


Fig. 6

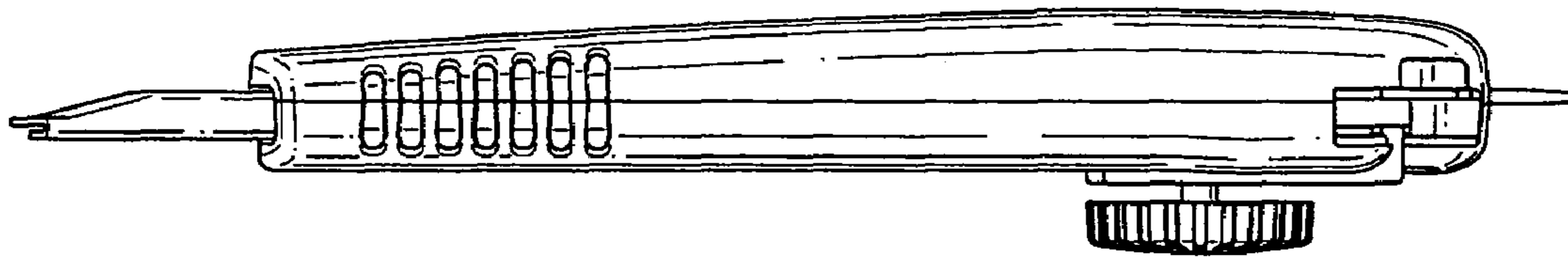


Fig. 7

