

US00D559648S

(12) **United States Design Patent**
Miyauchi et al.

(10) **Patent No.:** **US D559,648 S**
(45) **Date of Patent:** **** Jan. 15, 2008**

(54) **POLISHING PAD**

(75) Inventors: **Hiroyuki Miyauchi**, Chuo-ku (JP);
Hiroshi Shiho, Chuo-ku (JP)

(73) Assignee: **JSR Corporation**, Tokyo (JP)

(**) Term: **14 Years**

(21) Appl. No.: **29/225,833**

(22) Filed: **Mar. 22, 2005**

(30) **Foreign Application Priority Data**

Oct. 5, 2004 (JP) 2004-030293
Oct. 5, 2004 (JP) 2004-030295

(51) **LOC (8) Cl.** **08-05**

(52) **U.S. Cl.** **D8/70**

(58) **Field of Classification Search** D8/61,
D8/62, 63, 70; D15/124, 126, 138, 139,
D15/140; 15/230; 83/835; 451/6, 60, 287,
451/288, 359, 526, 527, 533, 541, 548, 446,
451/550

See application file for complete search history.

(56) **References Cited**

U.S. PATENT DOCUMENTS

88,649 A * 4/1869 Machamer 83/835

(Continued)

FOREIGN PATENT DOCUMENTS

JP 1156333 10/2002

(Continued)

OTHER PUBLICATIONS

U.S. Appl. No. 29/225,834, filed Mar. 22, 2005, Miyauchi, et al.

(Continued)

Primary Examiner—T. Chase Nelson

(74) *Attorney, Agent, or Firm*—Oblon, Spivak, McClelland,
Maier & Neustadt, P.C.

(57) **CLAIM**

The ornamental design for a polishing pad, as shown and described.

DESCRIPTION

FIG. 1 is a top plan view of a polishing pad, showing our new design;

FIG. 2 is a front elevational view thereof, the rear, left, and right side elevational views being mirror images of the view shown;

FIG. 3 is a bottom plan view thereof;

FIG. 4 is an enlarged, partial top plan view thereof taken along the intersection of lines 4—4 in FIG. 1;

FIG. 5 is an enlarged, partial sectional view thereof taken along line 5—5 in FIG. 4;

FIG. 6 is a greatly enlarged, partial cross-sectional view thereof taken along line 6 in FIG. 5;

FIG. 7 is an enlarged, partial bottom plan view of taken along the intersection of lines 7—7 in FIG. 3;

FIG. 8 is a top plan view of a second embodiment of the polishing pad;

FIG. 9 is a front elevational view thereof, the rear, left, and right side elevational views being mirror images of the view shown;

FIG. 10 is a bottom plan view thereof;

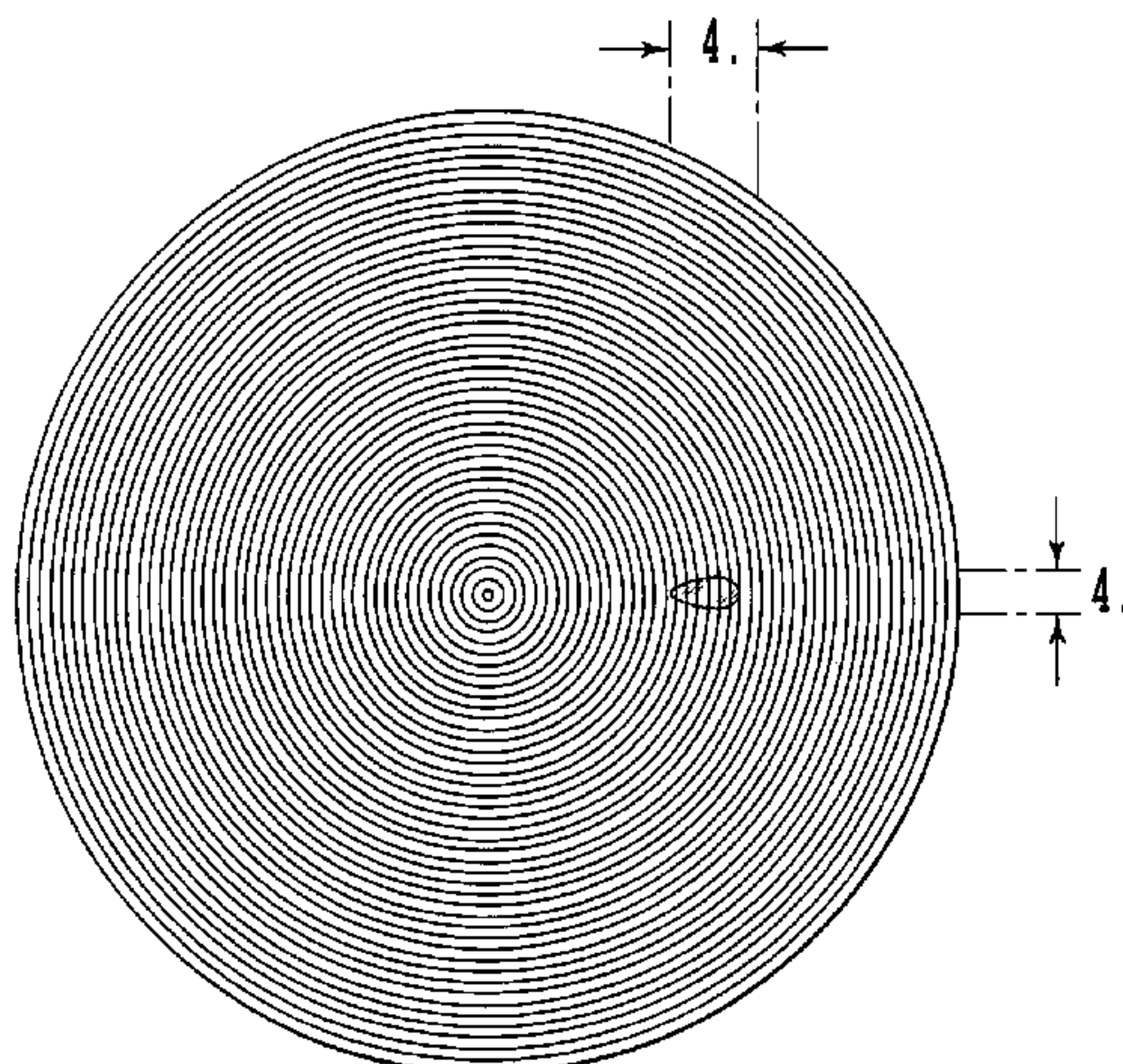
FIG. 11 is an enlarged, partial top plan view thereof taken along the intersection of lines 11—11 in FIG. 8;

FIG. 12 is an enlarged, partial sectional view thereof taken along line 12—12 in FIG. 11;

FIG. 13 is a greatly enlarged, partial cross-sectional view thereof taken along line 13 in FIG. 12; and,

FIG. 14 is an enlarged, partial bottom plan view taken along the intersection of lines 14—14 in FIG. 10.

1 Claim, 6 Drawing Sheets



US D559,648 S

U.S. PATENT DOCUMENTS

494,471	A *	3/1893	Gardner	451/528	
1,092,588	A *	4/1914	Monkiawicz	451/533	
1,569,403	A *	1/1926	Slye	451/548	
3,046,708	A *	7/1962	Prunier	451/548	
5,007,207	A *	4/1991	Phaal	451/458	
5,131,190	A *	7/1992	Gougouyan	451/548	
5,507,740	A *	4/1996	O'Donnell, Jr.	33/511	
5,733,178	A *	3/1998	Ohishi	451/533	
5,778,481	A *	7/1998	Amsden et al.	15/230	
5,899,799	A *	5/1999	Tjaden et al.	15/230	
5,921,855	A *	7/1999	Osterheld et al.	451/527	
5,984,769	A *	11/1999	Bennett et al.	451/527	
6,066,266	A *	5/2000	Osugi et al.	216/85	
6,217,426	B1 *	4/2001	Tolles et al.	451/288	
6,248,000	B1 *	6/2001	Aiyer	451/41	
6,267,643	B1 *	7/2001	Teng et al.	451/287	
6,273,806	B1 *	8/2001	Bennett et al.	451/527	
6,332,830	B1 *	12/2001	Okamura et al.	451/288	
6,375,550	B1 *	4/2002	Berman	451/288	
6,402,594	B1 *	6/2002	Kobayashi et al.	451/287	
6,443,810	B1 *	9/2002	Shih	451/446	
6,517,417	B2 *	2/2003	Roberts et al.	451/6	
6,520,847	B2 *	2/2003	Osterheld et al.	451/527	
6,544,111	B1 *	4/2003	Kimura et al.	451/288	
6,544,373	B2 *	4/2003	Chen et al.	451/533	
6,561,890	B2 *	5/2003	Tominaga	451/527	
6,645,061	B1 *	11/2003	Bennett et al.	451/527	
6,659,850	B2 *	12/2003	Korovin et al.	451/288	
6,685,548	B2 *	2/2004	Chen et al.	451/527	
6,699,115	B2 *	3/2004	Osterheld et al.	451/527	
6,702,651	B2 *	3/2004	Tolles	451/287	
6,749,486	B2 *	6/2004	Shibuki	451/533	
6,824,447	B2 *	11/2004	Takahashi et al.	451/6	
6,824,455	B2 *	11/2004	Osterheld et al.	451/287	
6,875,096	B2 *	4/2005	Park et al.	451/527	
6,899,607	B2 *	5/2005	Brown	451/288	
6,899,611	B2 *	5/2005	Reinhardt et al.	451/527	
D510,850	S *	10/2005	Boler, Jr.	D8/70	
6,951,510	B1 *	10/2005	Rodriguez et al.	451/288	
6,960,123	B2 *	11/2005	Mitarai	451/533	
7,029,747	B2 *	4/2006	Huh et al.	451/533	
					7,059,937 B2 * 6/2006 Brown 451/288
					7,070,480 B2 * 7/2006 Moon et al. 451/527
					7,112,119 B1 * 9/2006 Swedek et al. 451/6
					7,121,938 B2 * 10/2006 Suzuki 451/526
					7,183,213 B2 * 2/2007 Shiho et al. 451/56
					2001/0031610 A1 * 10/2001 Budinger et al. 451/41
					2002/0137450 A1 * 9/2002 Osterheld et al. 451/527
					2003/0068964 A1 * 4/2003 Akagami et al. 451/287
					2003/0092371 A1 * 5/2003 Osterheld et al. 451/527
					2003/0194962 A1 * 10/2003 Weber 451/526
					2003/0199234 A1 * 10/2003 Chen et al. 451/527
					2003/0207651 A1 * 11/2003 Kim et al. 451/6
					2004/0014413 A1 * 1/2004 Kawahashi et al. 451/527
					2004/0053570 A1 * 3/2004 Naujok 451/527
					2004/0058630 A1 * 3/2004 Park et al. 451/288
					2004/0072516 A1 * 4/2004 Osterheld et al. 451/287
					2004/0082271 A1 * 4/2004 Wiswesser et al. 451/6
					2004/0102144 A1 * 5/2004 Brown 451/288
					2004/0127145 A1 * 7/2004 Takahashi et al. 451/6
					2004/0259476 A1 * 12/2004 Korovin et al. 451/6
					2004/0259483 A1 * 12/2004 Newell 451/56
					2005/0113011 A1 * 5/2005 Miyauchi et al. 451/527
					2005/0142996 A1 * 6/2005 Ohno et al. 451/527
					2005/0148183 A1 * 7/2005 Shiro et al. 451/66
					2005/0191945 A1 * 9/2005 Petroski et al. 451/6
					2005/0211376 A1 * 9/2005 Prasad 156/345.12
					2005/0245171 A1 * 11/2005 Hosaka et al. 451/6
					2006/0037699 A1 * 2/2006 Nakamori et al. 156/345.12
					2006/0063471 A1 * 3/2006 Muldowney 451/6
					2006/0194530 A1 * 8/2006 Thomson et al. 451/527
					2006/0199473 A1 * 9/2006 Suzuki et al. 451/527
					2006/0276109 A1 * 12/2006 Roy et al. 451/529
					2007/0049167 A1 * 3/2007 Swedek et al. 451/6

FOREIGN PATENT DOCUMENTS

JP	1156872	10/2002
JP	1216127	8/2004

OTHER PUBLICATIONS

U.S. Appl. No. 29/225,833, filed Mar. 22, 2005, Miyauchi, et al.
 U.S. Appl. No. 29/225,832, filed Mar. 22, 2005, Miyauchi, et al.

* cited by examiner

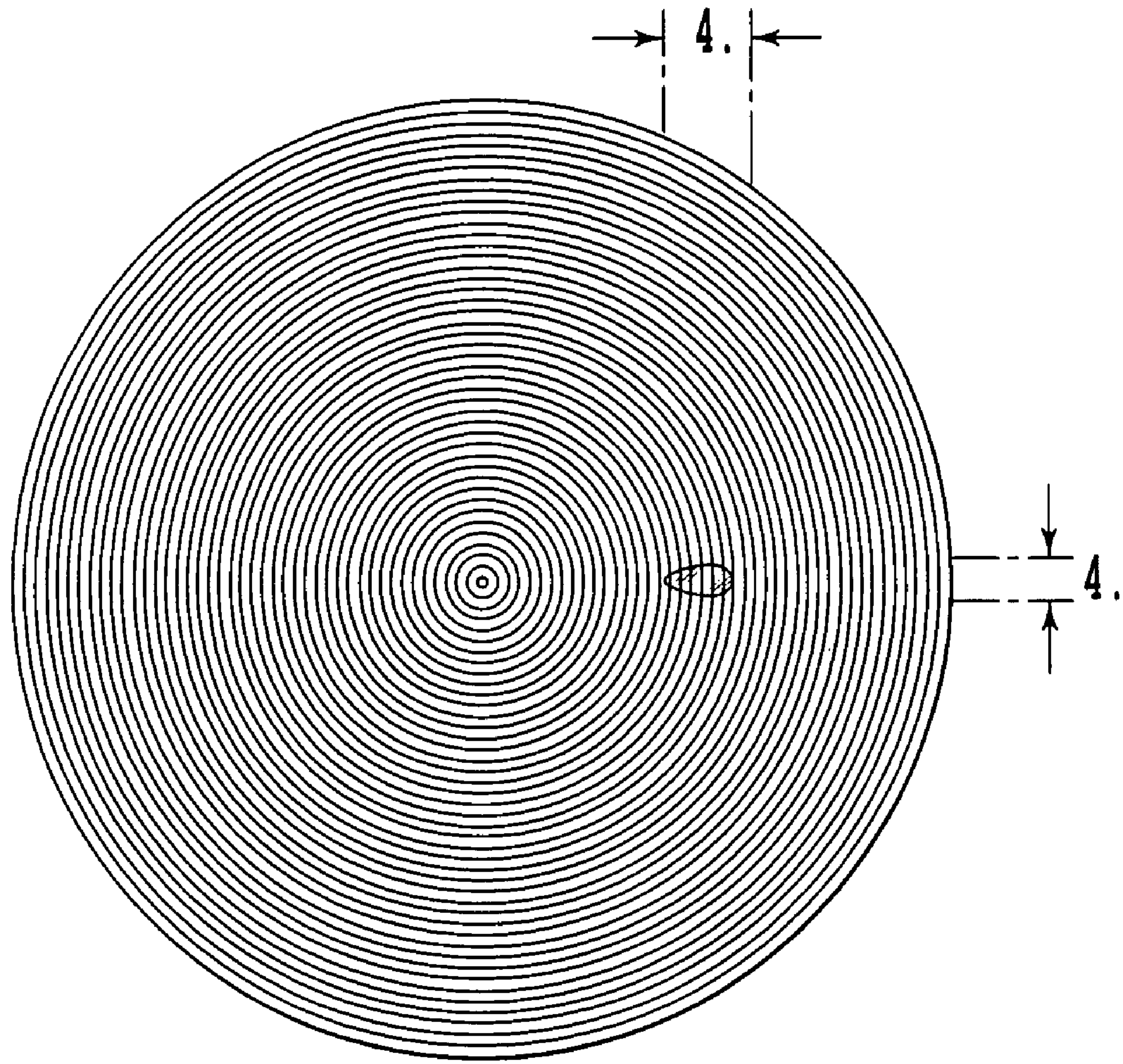


Fig. 1

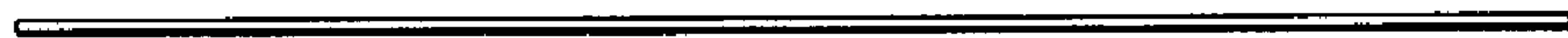


Fig. 2

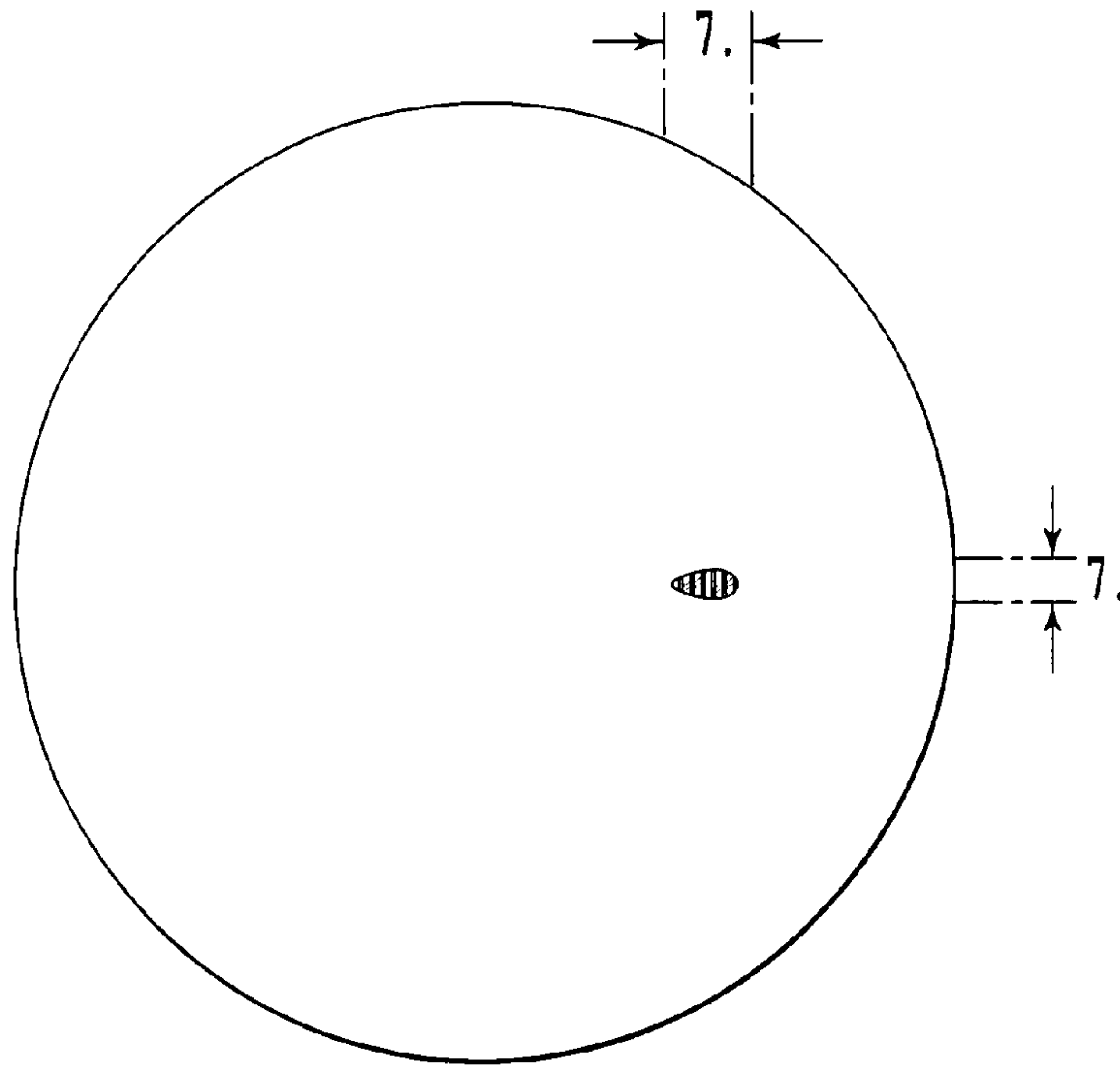


Fig. 3

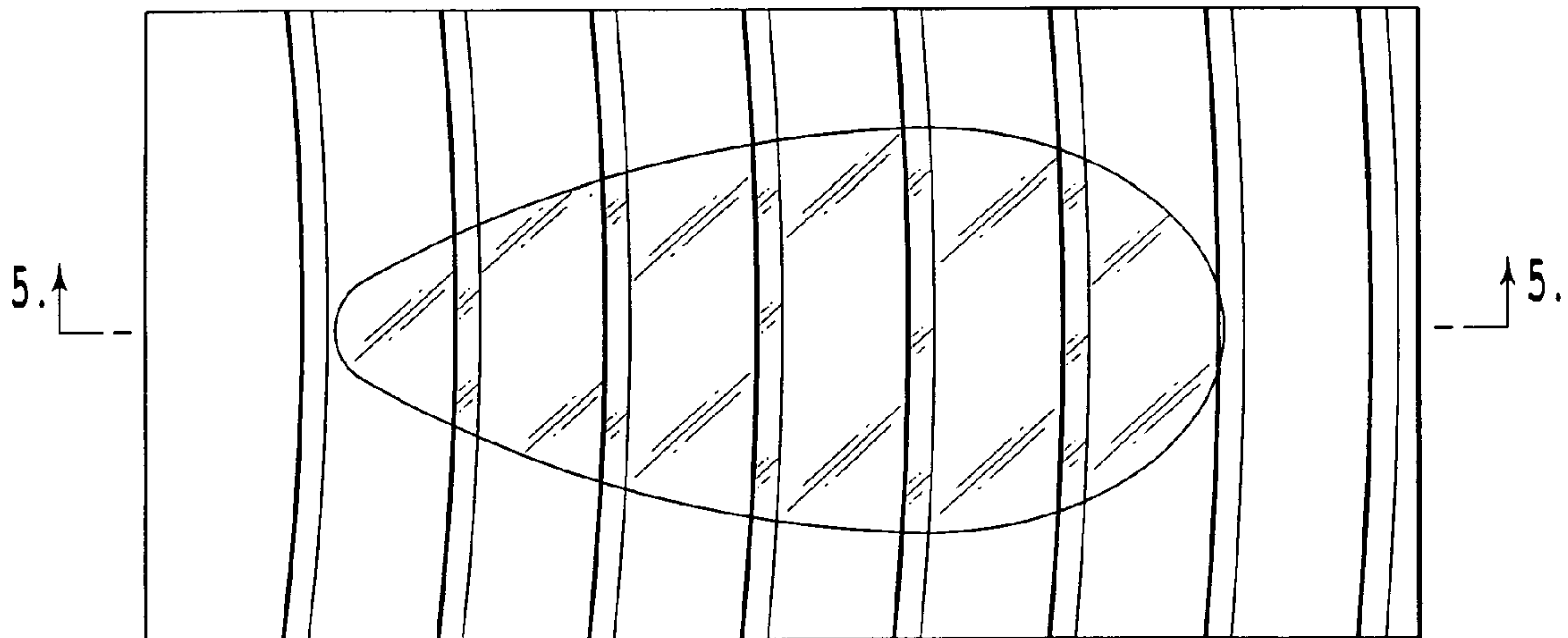


Fig. 4

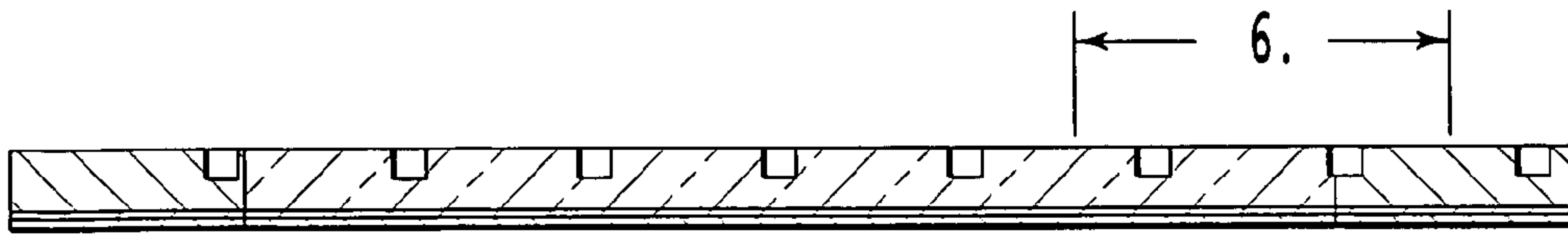


Fig. 5

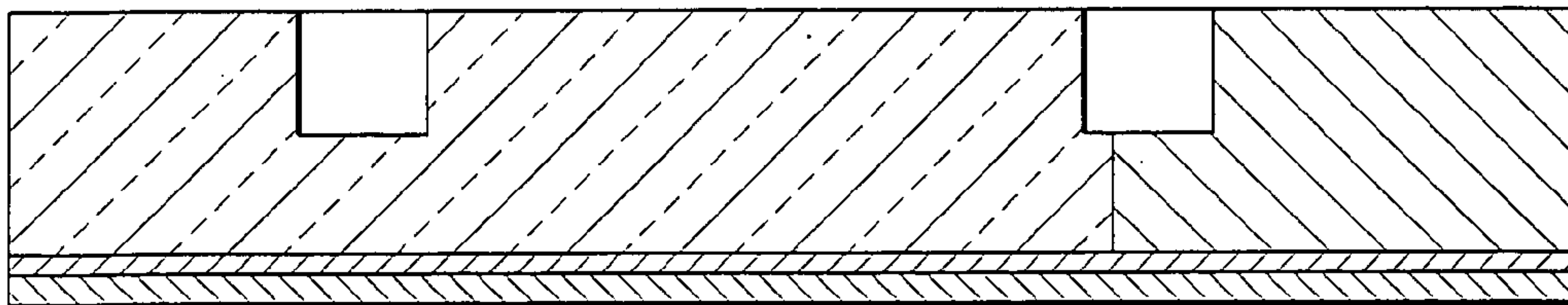


Fig. 6

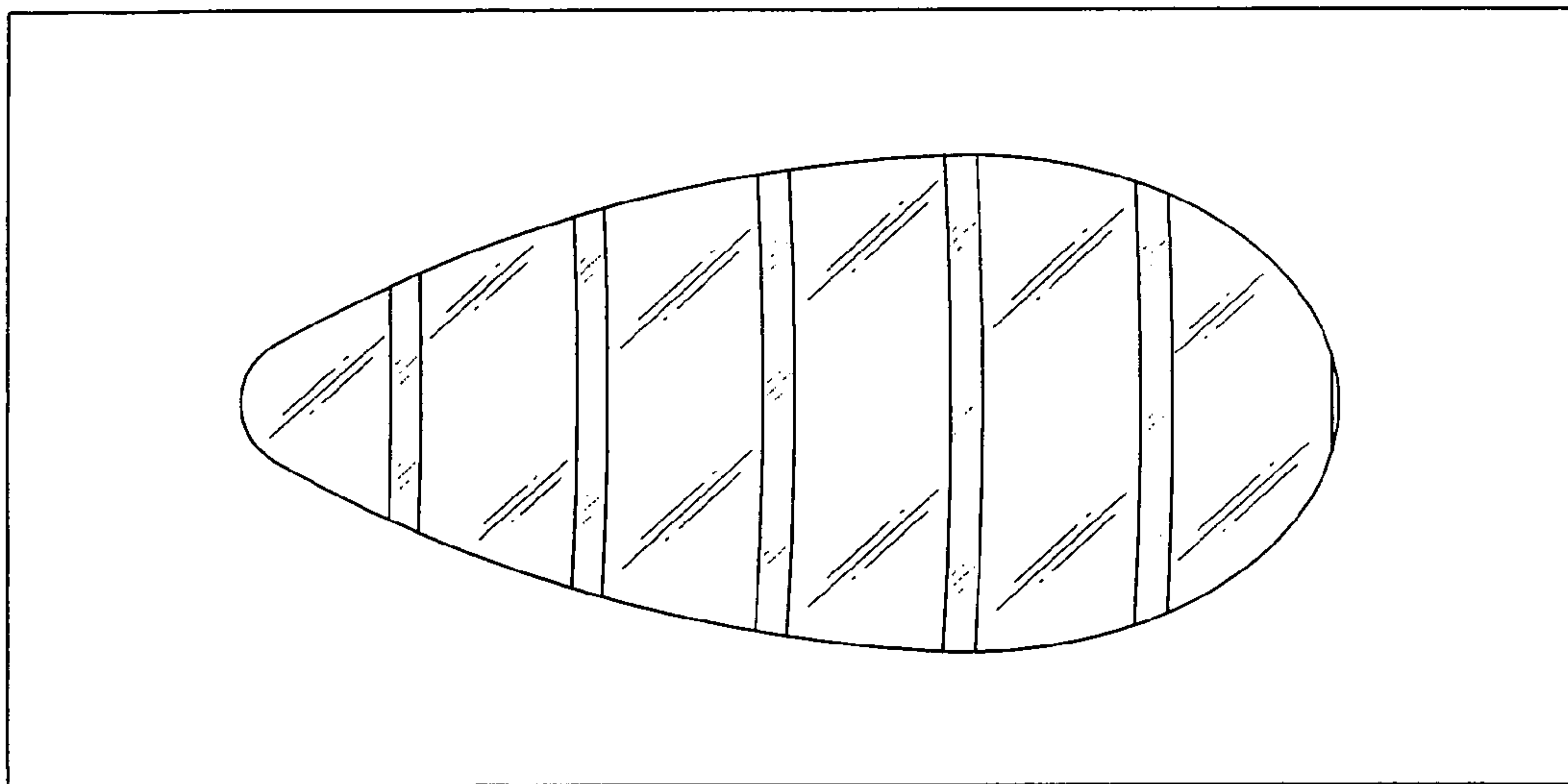


Fig. 7

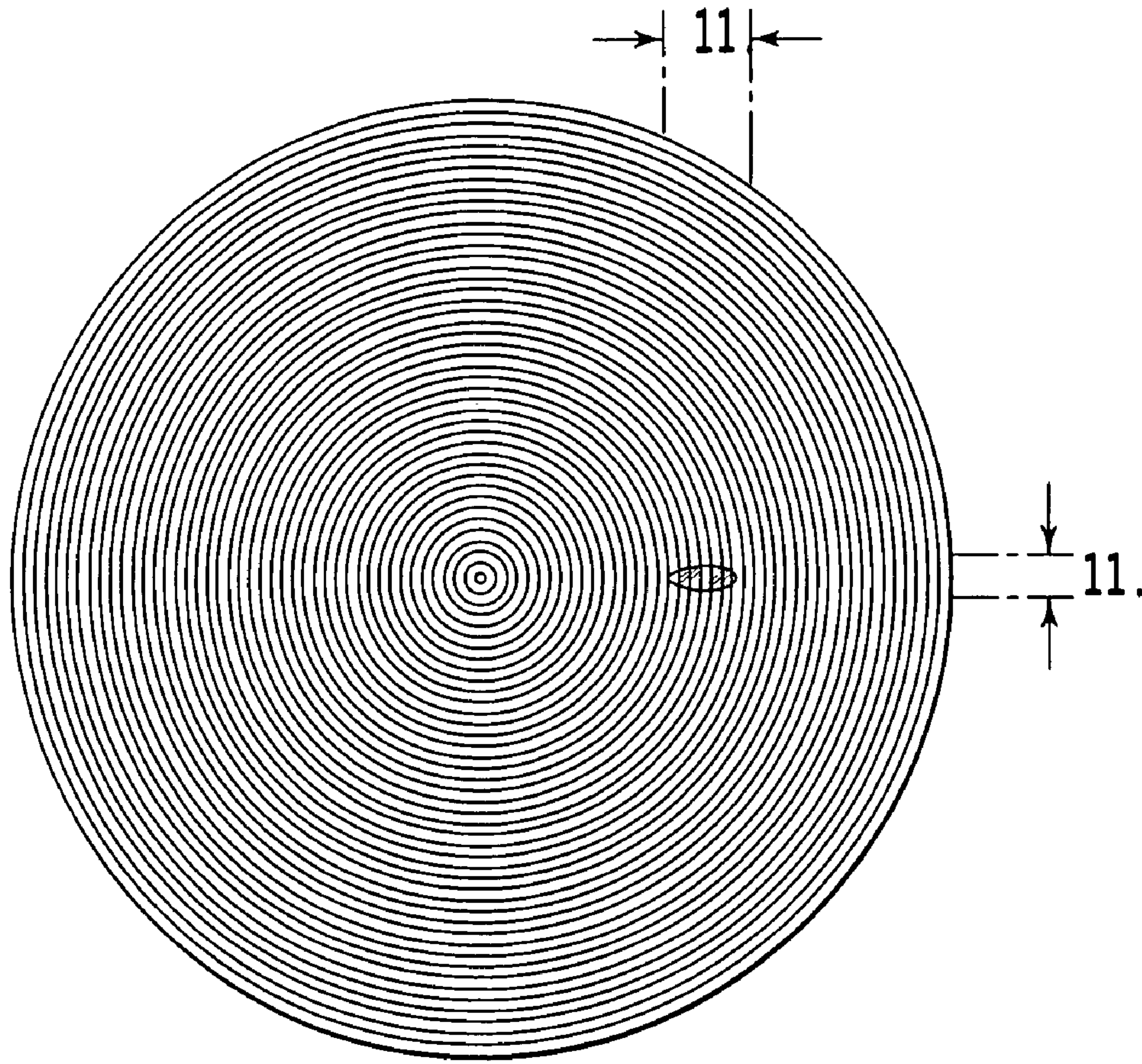


Fig. 8



Fig. 9

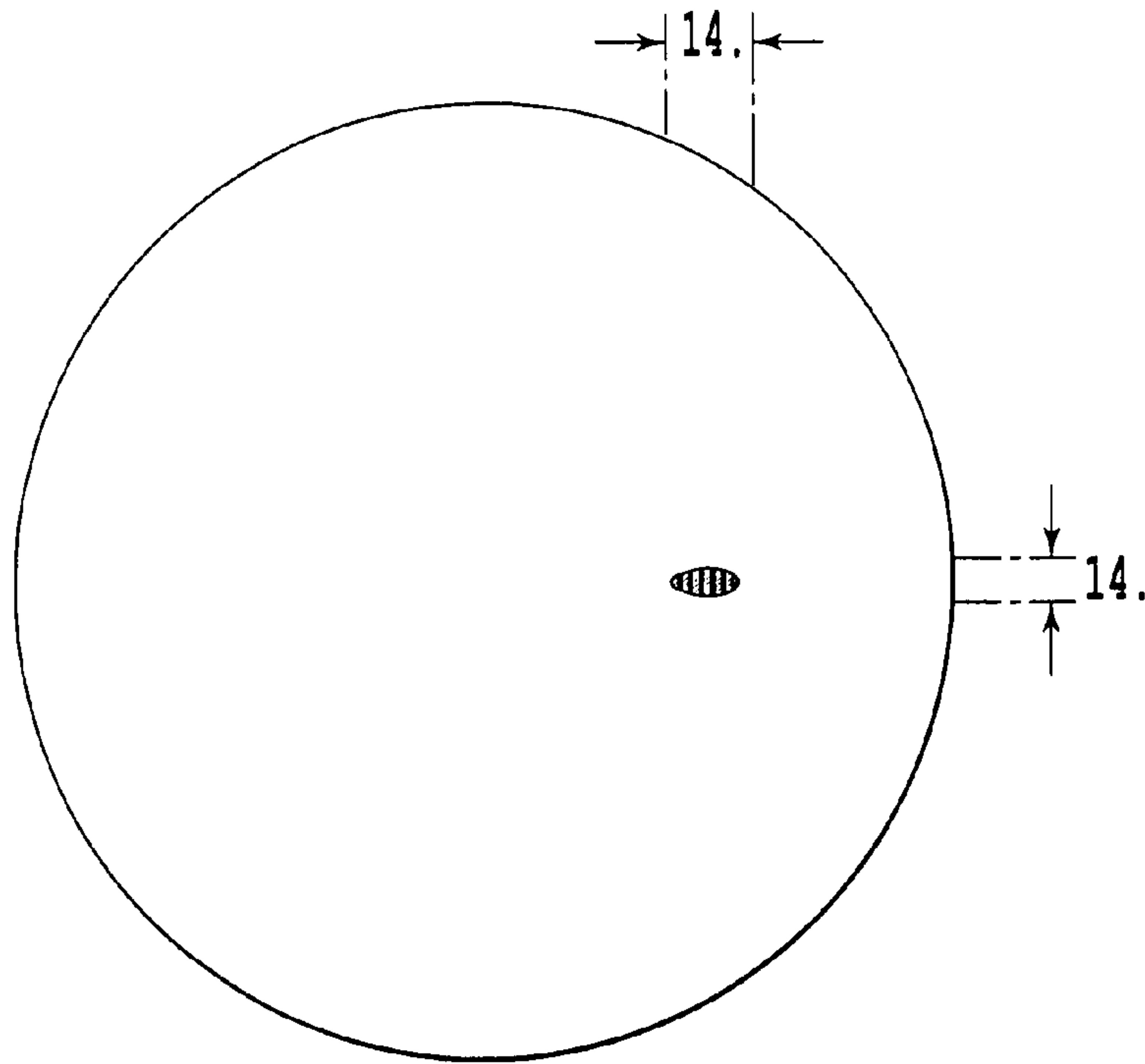


Fig. 10

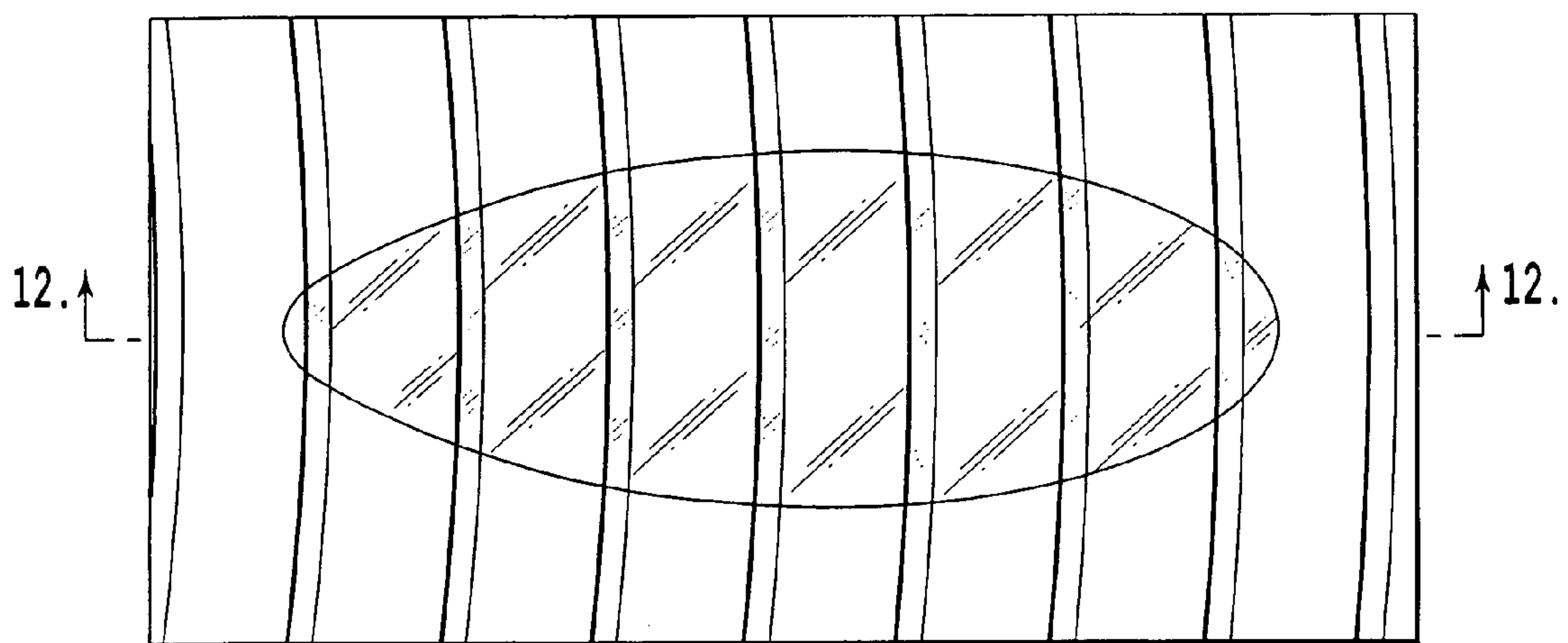


Fig. 11

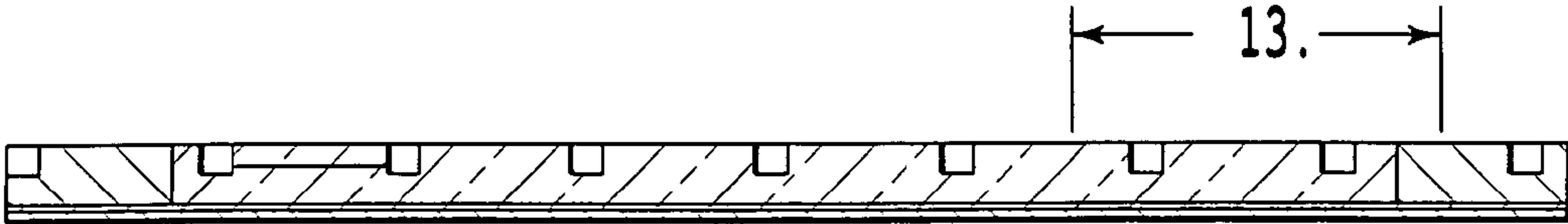


Fig. 12

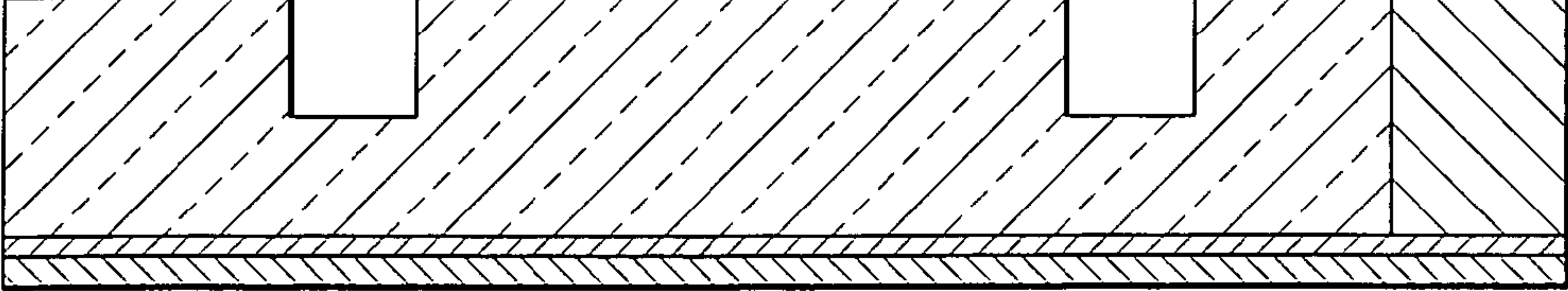


Fig. 13

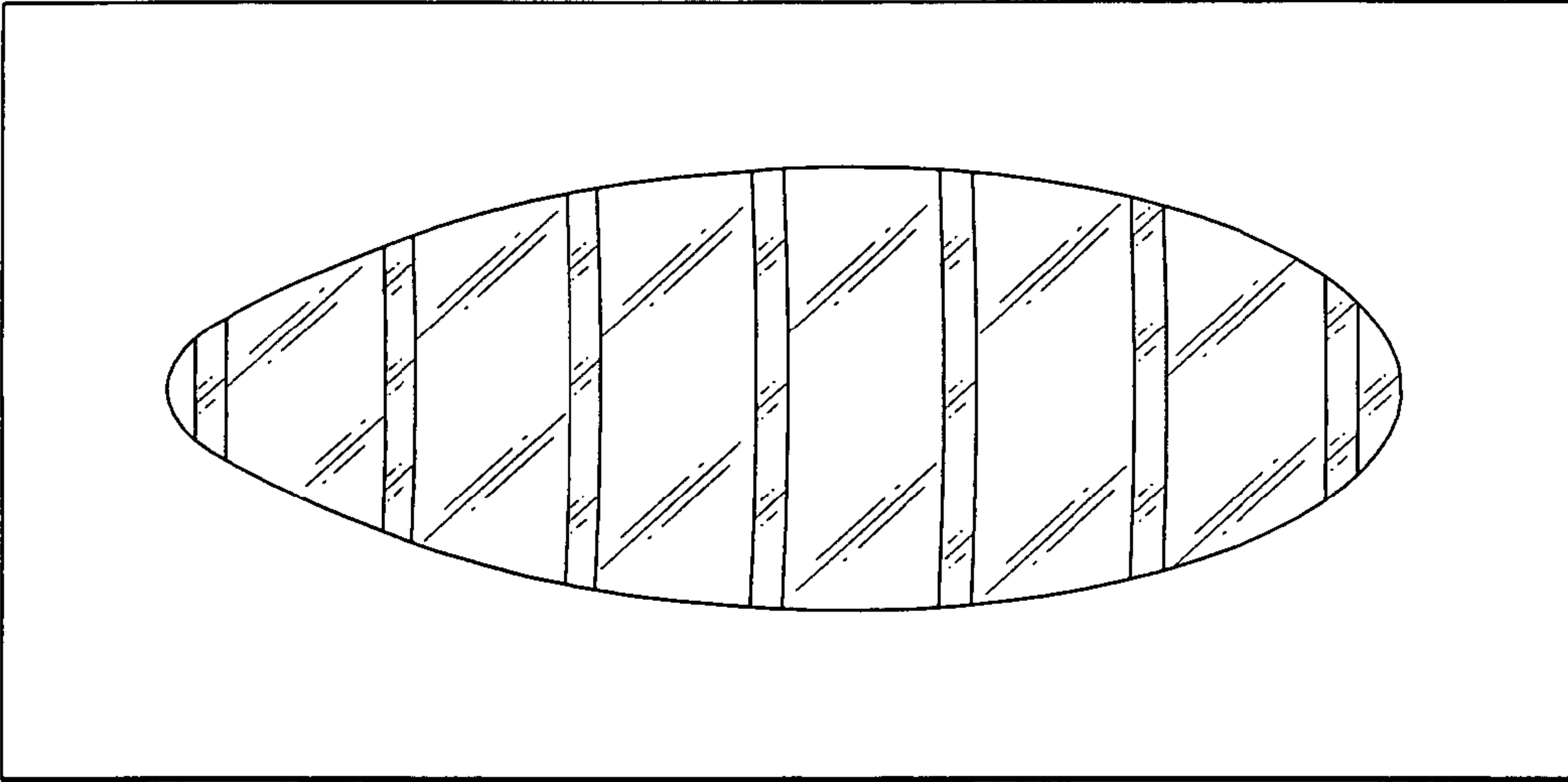


Fig. 14