



US00D559647S

(12) **United States Design Patent**
Watson

(10) **Patent No.:** **US D559,647 S**

(45) **Date of Patent:** **** Jan. 15, 2008**

(54) **POWER SHEARS**

(75) Inventor: **James B. Watson**, Fallston, MD (US)

(73) Assignee: **Black & Decker Inc.**, Newark, DE (US)

(**) Term: **14 Years**

(21) Appl. No.: **29/264,985**

(22) Filed: **Aug. 23, 2006**

(51) **LOC (8) Cl.** **08-03**

(52) **U.S. Cl.** **D8/69**

(58) **Field of Classification Search** D8/62,
D8/63, 64, 65, 70, 69, 68, 61, 5; D28/53,
D28/54; 30/228, 216; 173/170, 169, 178,
173/213; 119/610; 81/429, 464, 466; 408/20,
408/124; 310/50

See application file for complete search history.

(56) **References Cited**

U.S. PATENT DOCUMENTS

4,109,381	A *	8/1978	Pellenc	30/228
4,173,069	A *	11/1979	Sidenstick et al.	30/228
4,791,726	A *	12/1988	Ailey, Jr.	30/228
D308,809	S *	6/1990	Kawabata	D8/61
5,172,479	A *	12/1992	Keeton	30/228
D339,510	S *	9/1993	Sakamoto et al.	D8/64
D388,300	S *	12/1997	Jeltsch	D8/61
D401,128	S *	11/1998	Zurwelle	D8/64
5,867,909	A *	2/1999	Jeltsch et al.	30/228
D408,699	S	4/1999	Zurwelle	
D415,400	S *	10/1999	Mizutani et al.	D8/69
5,992,024	A *	11/1999	Rogers	30/228
6,044,564	A *	4/2000	Jeltsch	30/228
D428,786	S *	8/2000	Hayakawa et al.	D8/64

D434,627	S *	12/2000	Buck	D8/64
D440,849	S *	4/2001	Sakai et al.	D8/64
D440,851	S	4/2001	Sakai et al.	
D441,622	S *	5/2001	van den Hout	D8/5
D456,233	S *	4/2002	Main	D8/64
D471,417	S	3/2003	Chunn et al.	
D474,088	S *	5/2003	Chunn et al.	D8/64
D480,616	S	10/2003	Welsh	
D507,953	S	8/2005	Watson et al.	
D539,627	S *	4/2007	Watson et al.	D8/69
2001/0042631	A1 *	11/2001	Carrier	173/217

* cited by examiner

Primary Examiner—Cathron C. Brooks

Assistant Examiner—Austin Murphy

(74) *Attorney, Agent, or Firm*—Mehul R. Jani; Adan Ayala; Charles Yocum

(57) **CLAIM**

The ornamental design for power shears, as shown and described.

DESCRIPTION

FIG. 1 is a perspective view of power shears showing the new design.

FIG. 2 is a front view thereof.

FIG. 3 is a rear view thereof.

FIG. 4 is a right side view thereof.

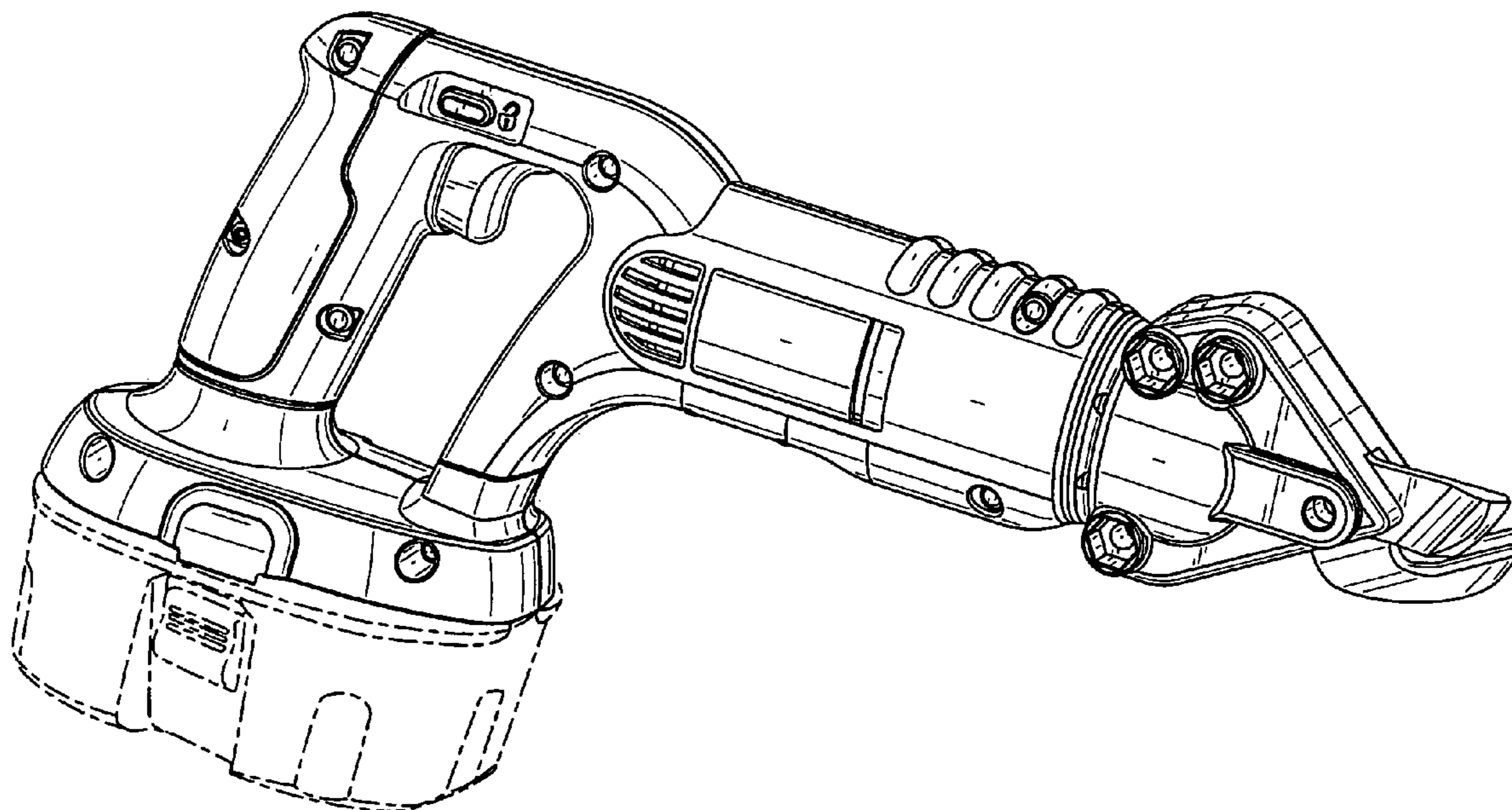
FIG. 5 is a left side view thereof

FIG. 6 is a top view thereof; and,

FIG. 7 is a bottom view thereof.

In the above drawings the broken lines and the areas within the broken lines form no part of the claimed design.

1 Claim, 5 Drawing Sheets



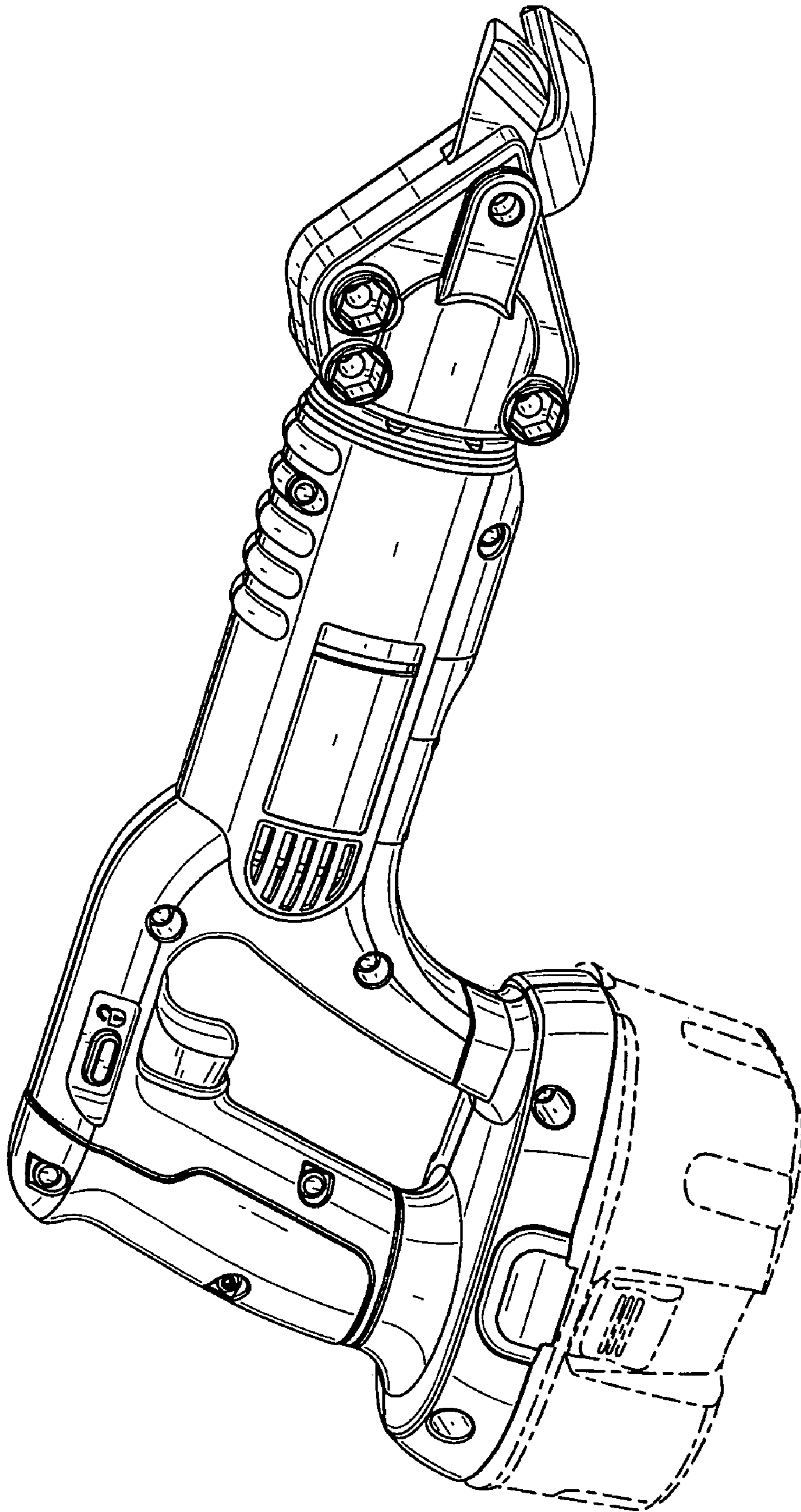


FIG. 1

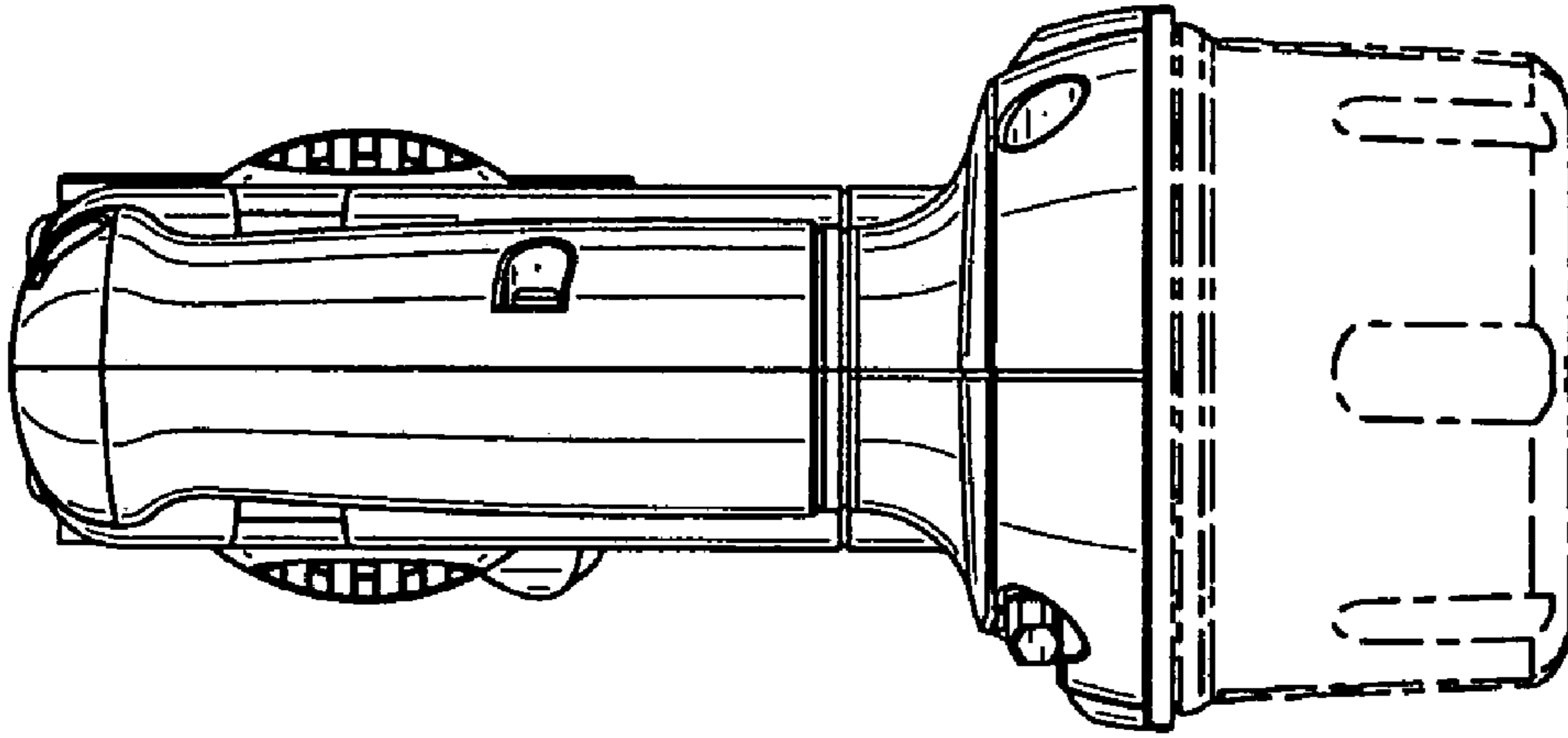


FIG. 3

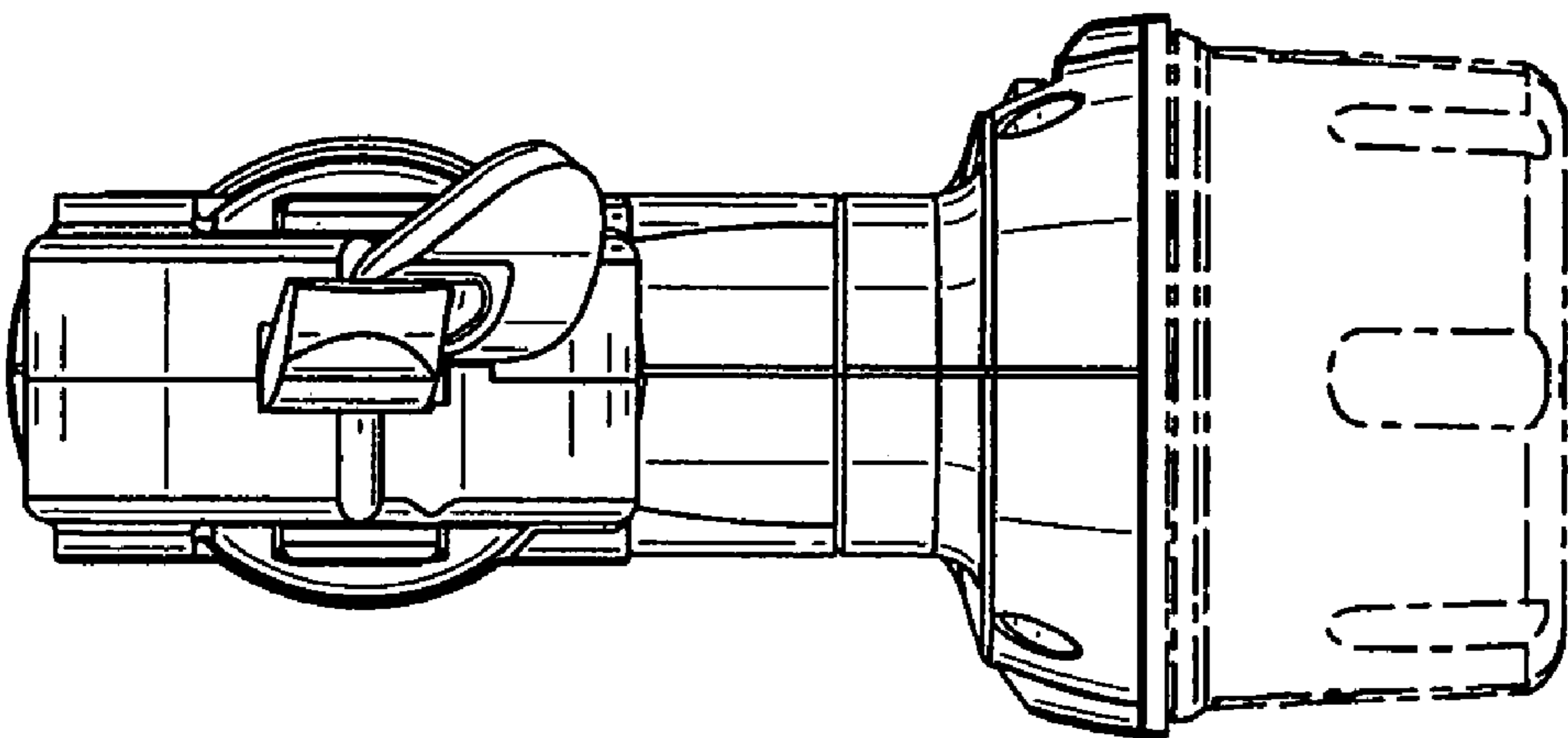


FIG. 2

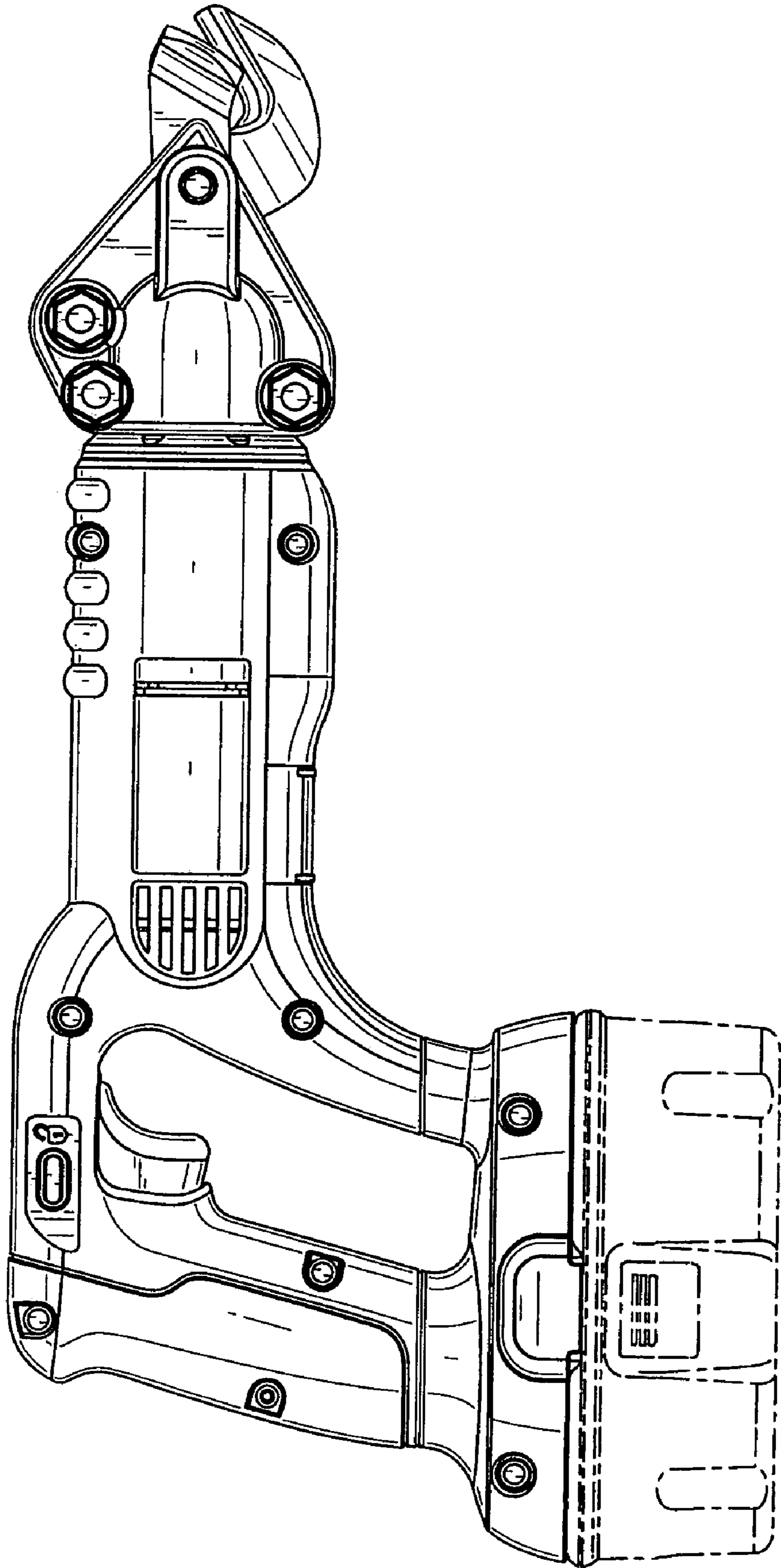


FIG. 4

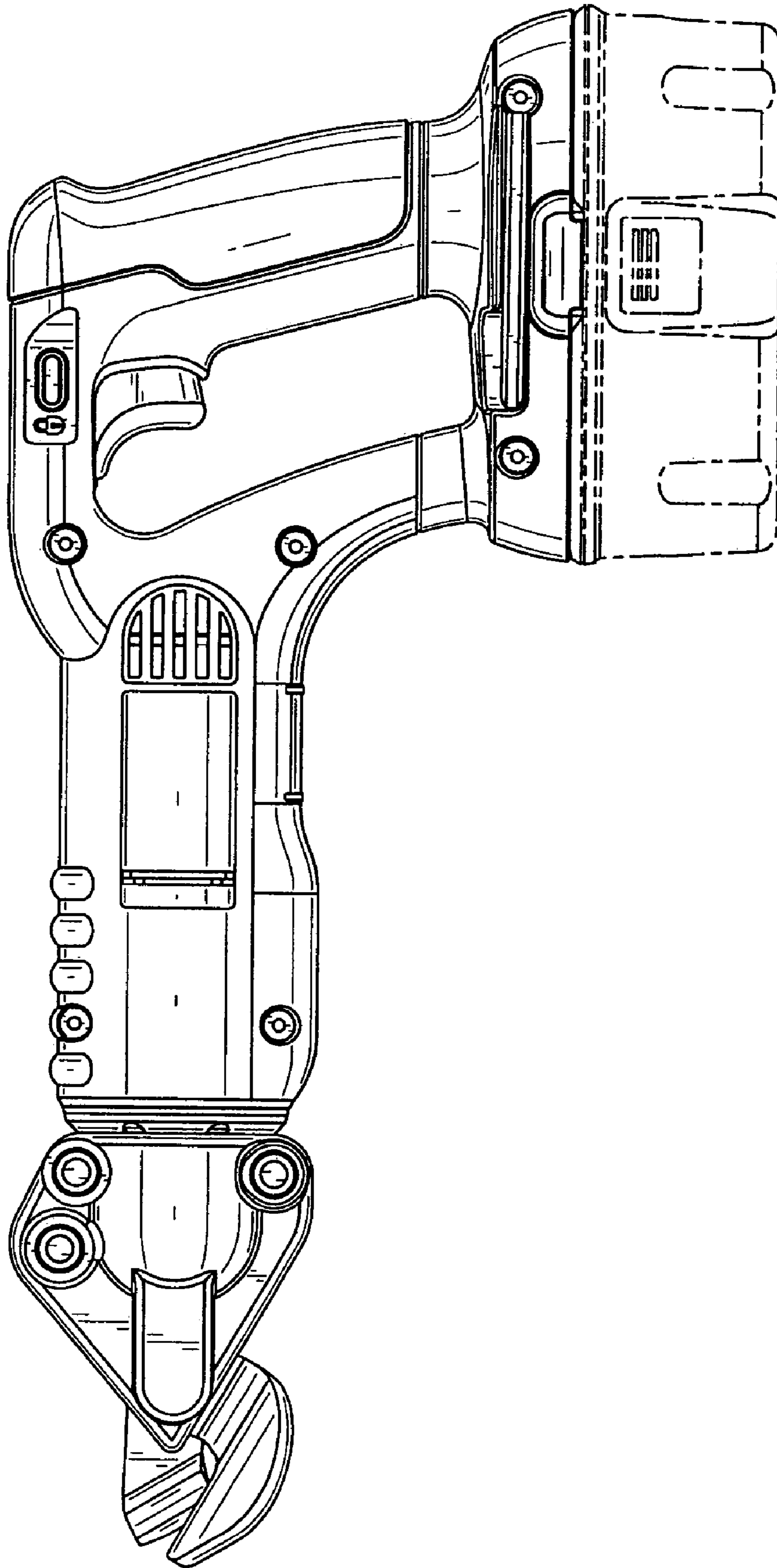


FIG. 5

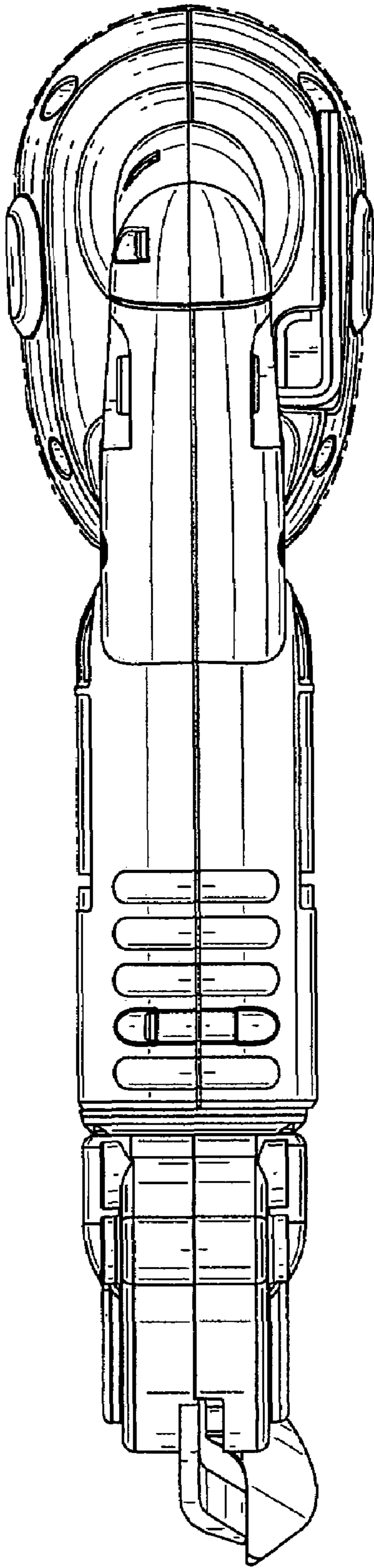


FIG. 6

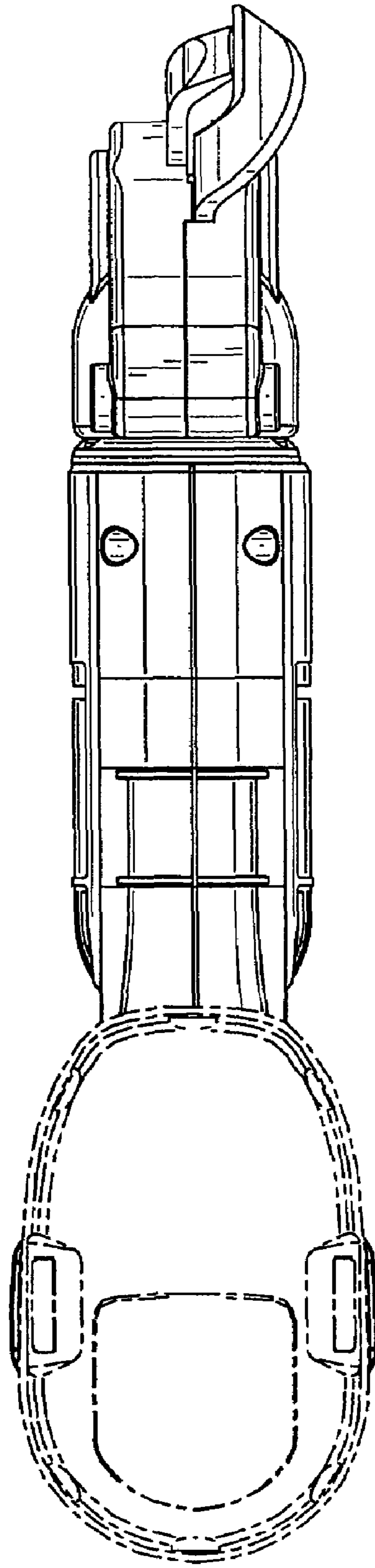


FIG. 7