

US00D559645S

(12) **United States Design Patent**
Okuda et al.

(10) **Patent No.:** **US D559,645 S**
(45) **Date of Patent:** **** Jan. 15, 2008**

(54) **PORTABLE ELECTRIC CIRCULAR SAW**

(75) Inventors: **Shinsuke Okuda**, Anjo (JP); **Toru Fukuoka**, Anjo (JP)

(73) Assignee: **Makita Corporation**, Anjo (JP)

(**) Term: **14 Years**

(21) Appl. No.: **29/267,703**

(22) Filed: **Oct. 20, 2006**

(30) **Foreign Application Priority Data**

Jun. 8, 2006 (JP) 2006-014734

(51) **LOC (8) Cl.** **08-03**

(52) **U.S. Cl.** **D8/66**

(58) **Field of Classification Search** D8/69,
D8/68, 67, 66, 64, 61, 70; 83/698.41, 747,
83/166.3, 374, 373, 375, 376, 391, 377, 390,
83/388, 389; 125/13.01; 144/218

See application file for complete search history.

(56) **References Cited**

U.S. PATENT DOCUMENTS

4,870,758	A	*	10/1989	Fushiya	30/388
D332,735	S	*	1/1993	Fushiya et al.	D8/66
D334,523	S	*	4/1993	Hoshino et al.	D8/66
D378,488	S	*	3/1997	Ito et al.	D8/66
D408,248	S	*	4/1999	Zurwelle et al.	D8/66
D453,099	S	*	1/2002	Welsh	D8/66
D466,385	S	*	12/2002	Shigo et al.	D8/66
D475,266	S	*	6/2003	Sakai et al.	D8/66
D488,977	S	*	4/2004	Evans	D8/66

D500,438	S	*	1/2005	Andriolo	D8/66
D502,373	S	*	3/2005	Wu	D8/66
D503,878	S	*	4/2005	Tillman et al.	D8/66
D504,297	S		4/2005	Tillman et al.		
D509,118	S	*	9/2005	Schoen	D8/66
D514,411	S	*	2/2006	Yuen et al.	D8/66
D522,832	S	*	6/2006	Hastie	D8/66
D531,473	S	*	11/2006	Lopano	D8/66
D538,124	S	*	3/2007	Yamamoto et al.	D8/66
D539,108	S	*	3/2007	Roberts	D8/66
D539,626	S	*	4/2007	Roberts	D8/66

* cited by examiner

Primary Examiner—Cathron C. Brooks

Assistant Examiner—Austin Murphy

(74) *Attorney, Agent, or Firm*—Oliff & Berridge, PLC

(57) **CLAIM**

The ornamental design for a portable electric circular saw, as shown and described.

DESCRIPTION

FIG. 1 is a perspective view of top, front and left side of a portable electric circular saw showing our new design;

FIG. 2 is a front view thereof;

FIG. 3 is a rear view thereof;

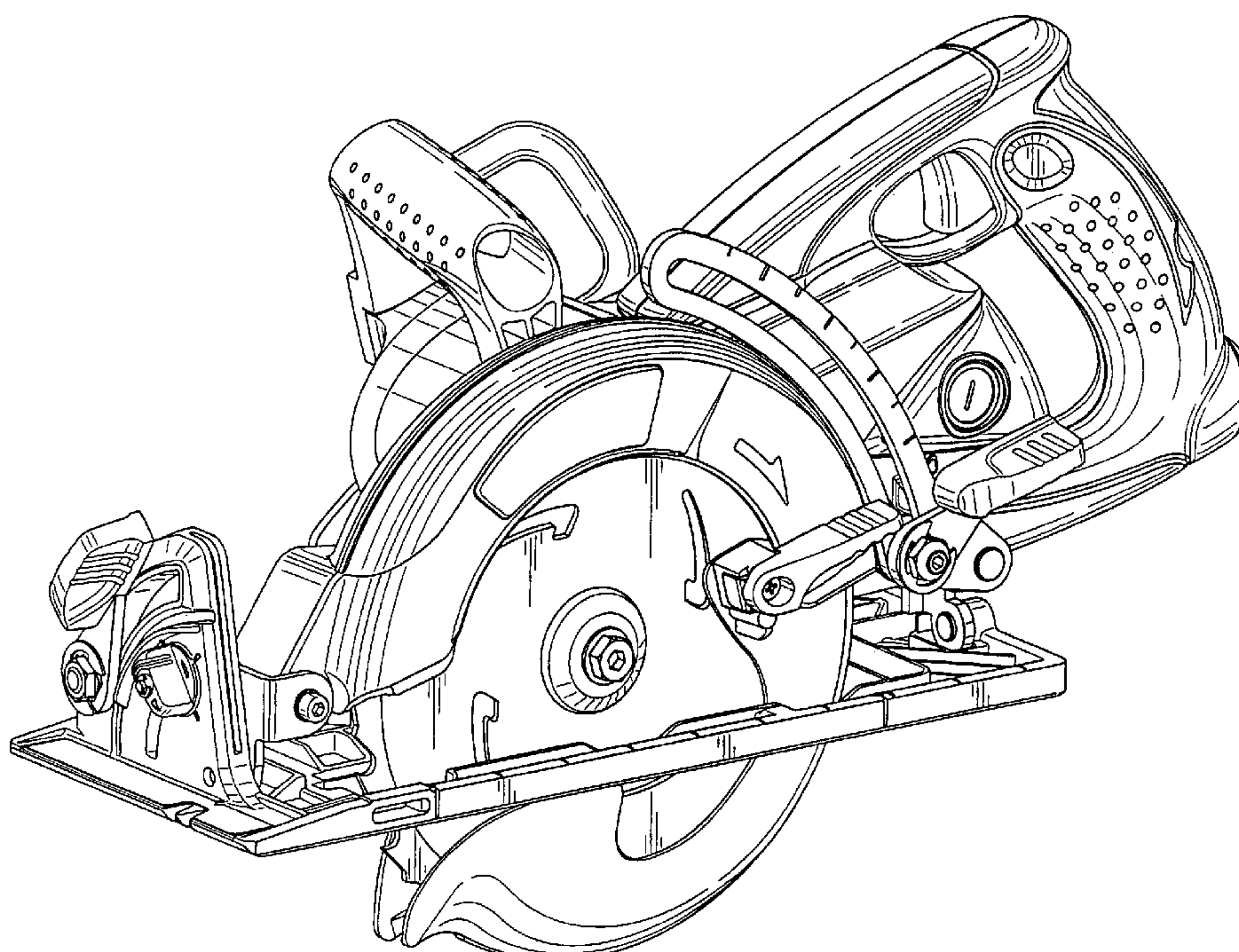
FIG. 4 is a top plan view thereof;

FIG. 5 is a bottom view thereof;

FIG. 6 is a left side view thereof; and,

FIG. 7 is a right side view thereof.

1 Claim, 6 Drawing Sheets



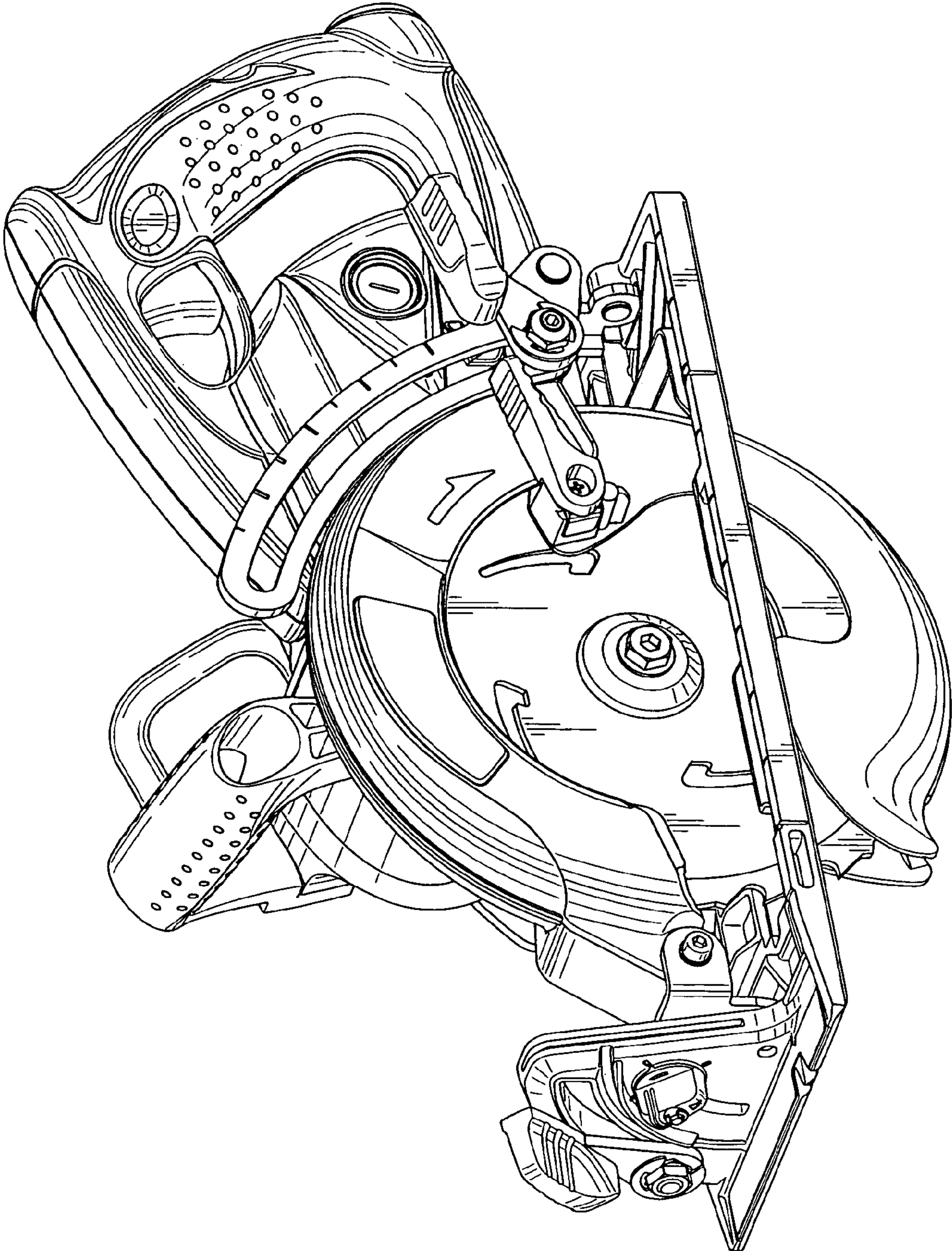


FIG. 1

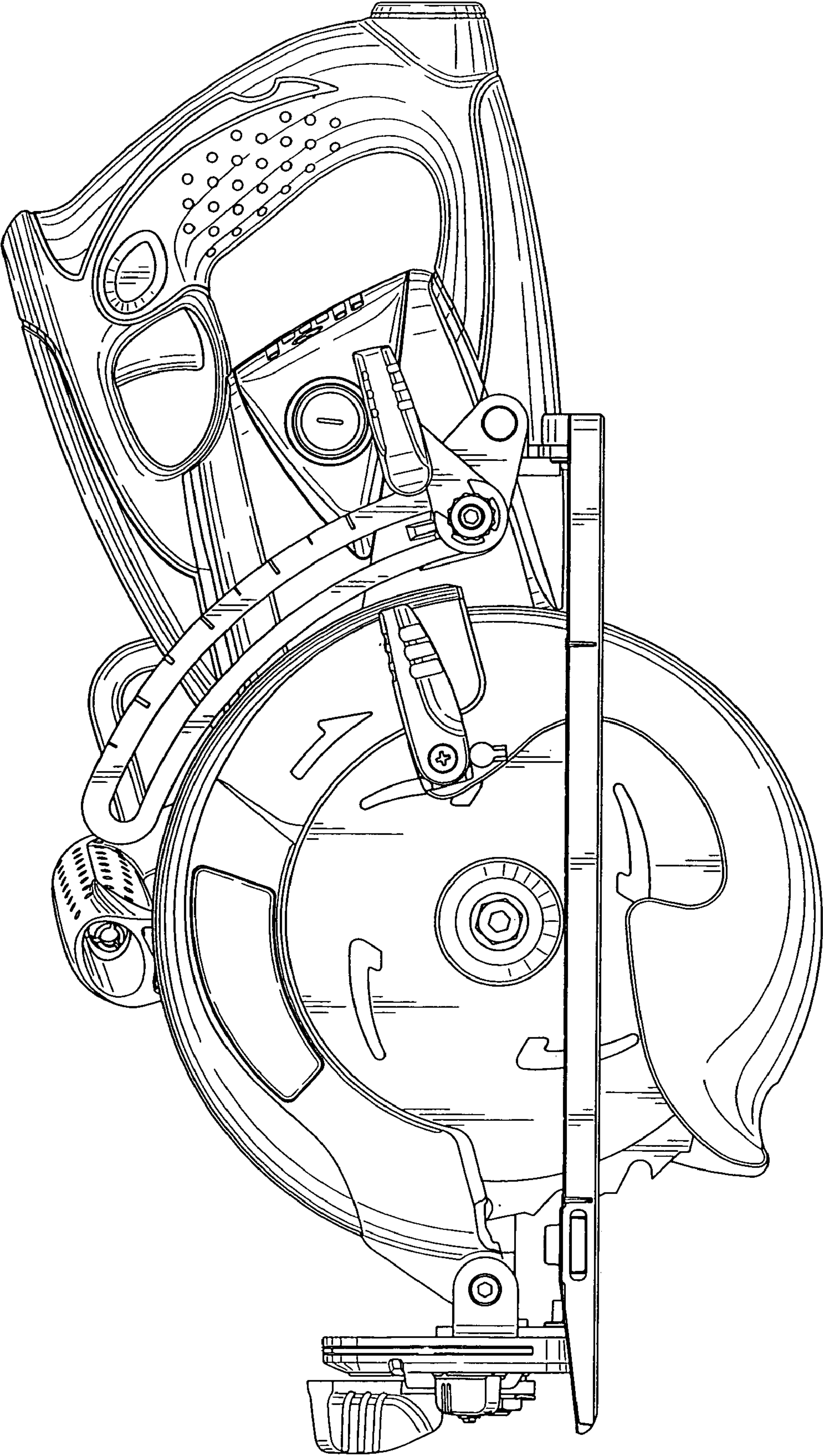


FIG. 2

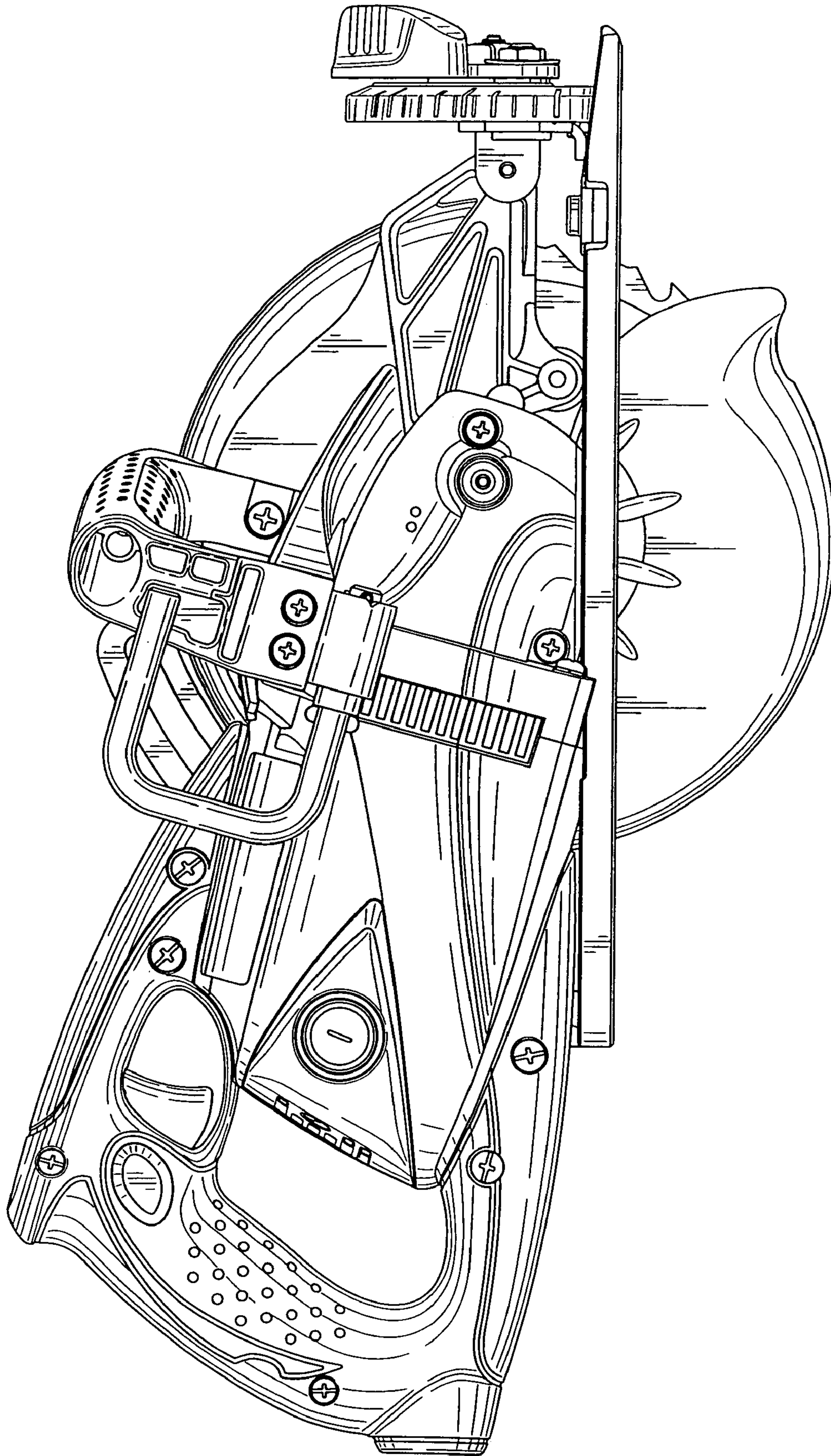


FIG. 3

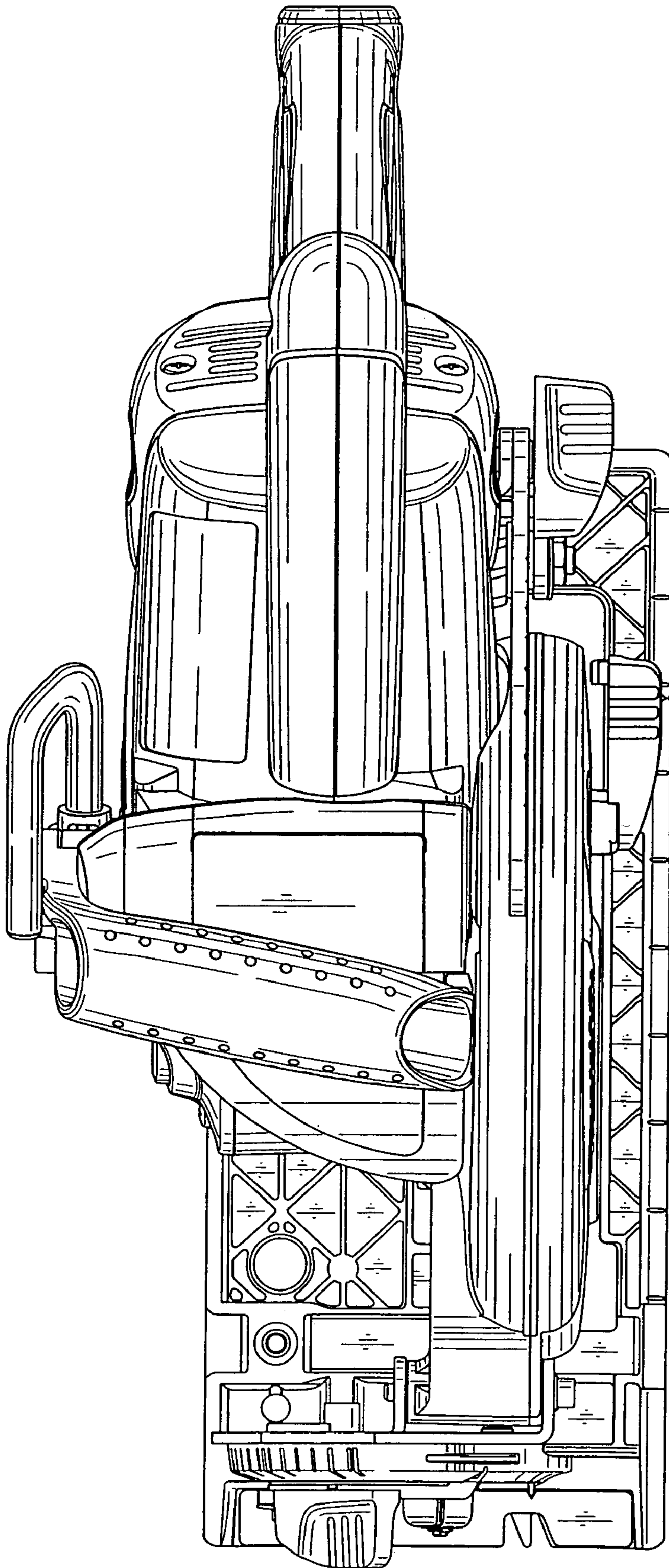


FIG. 4

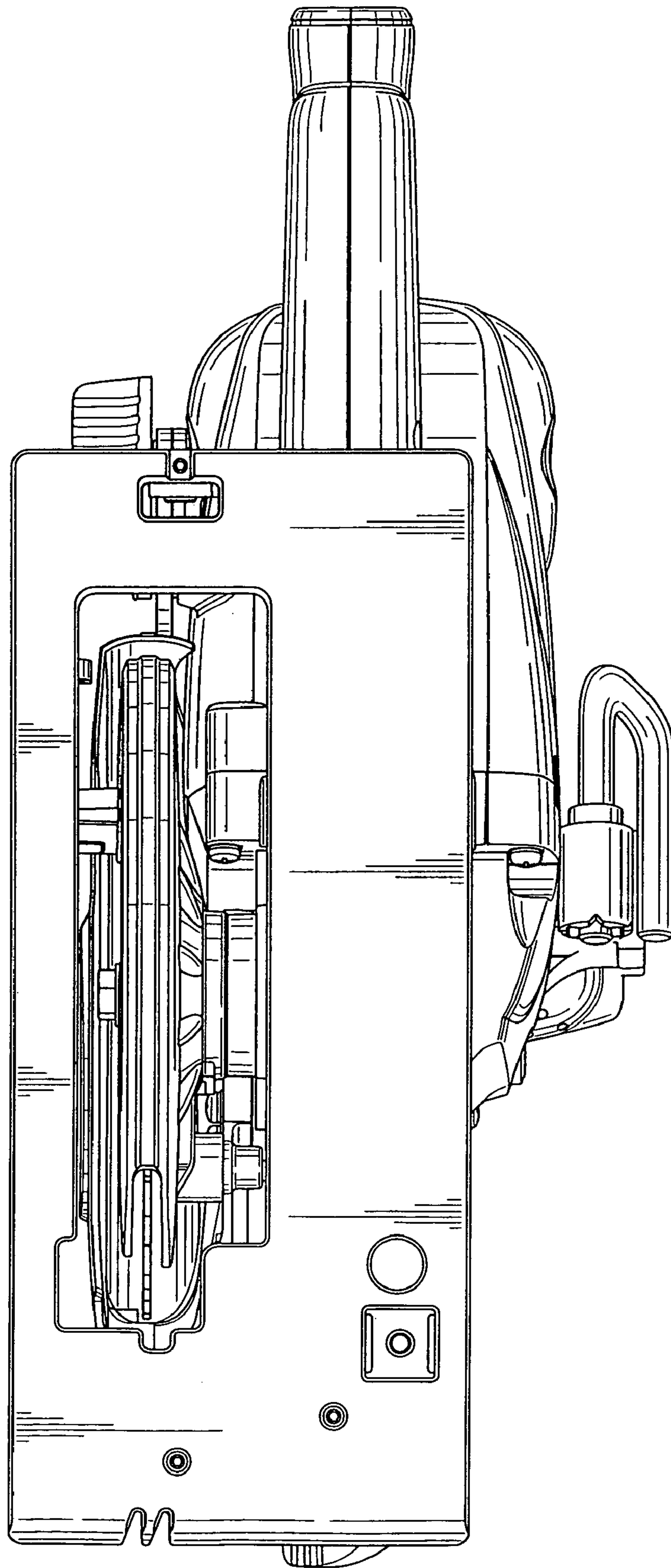


FIG. 5

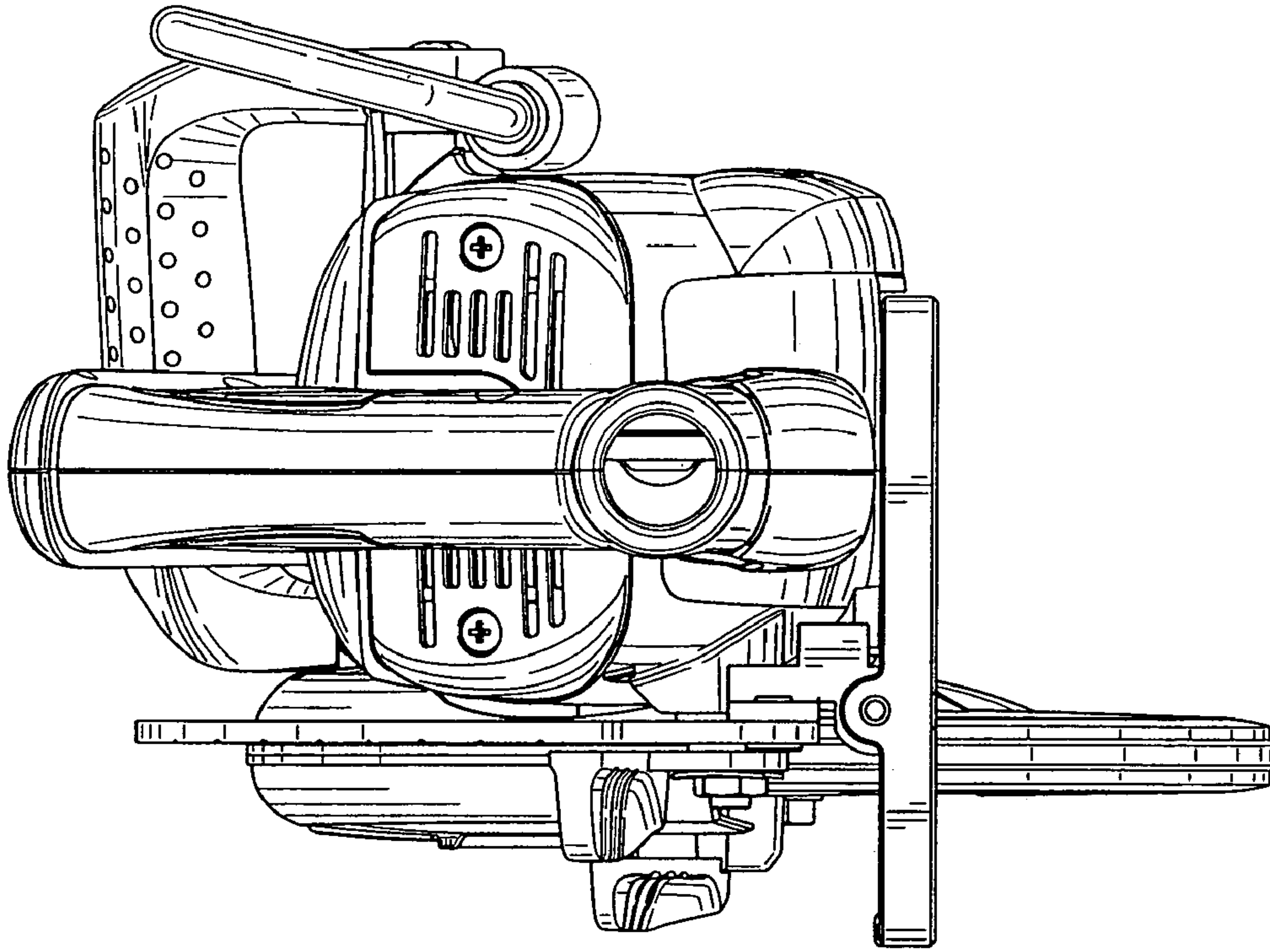


FIG. 7

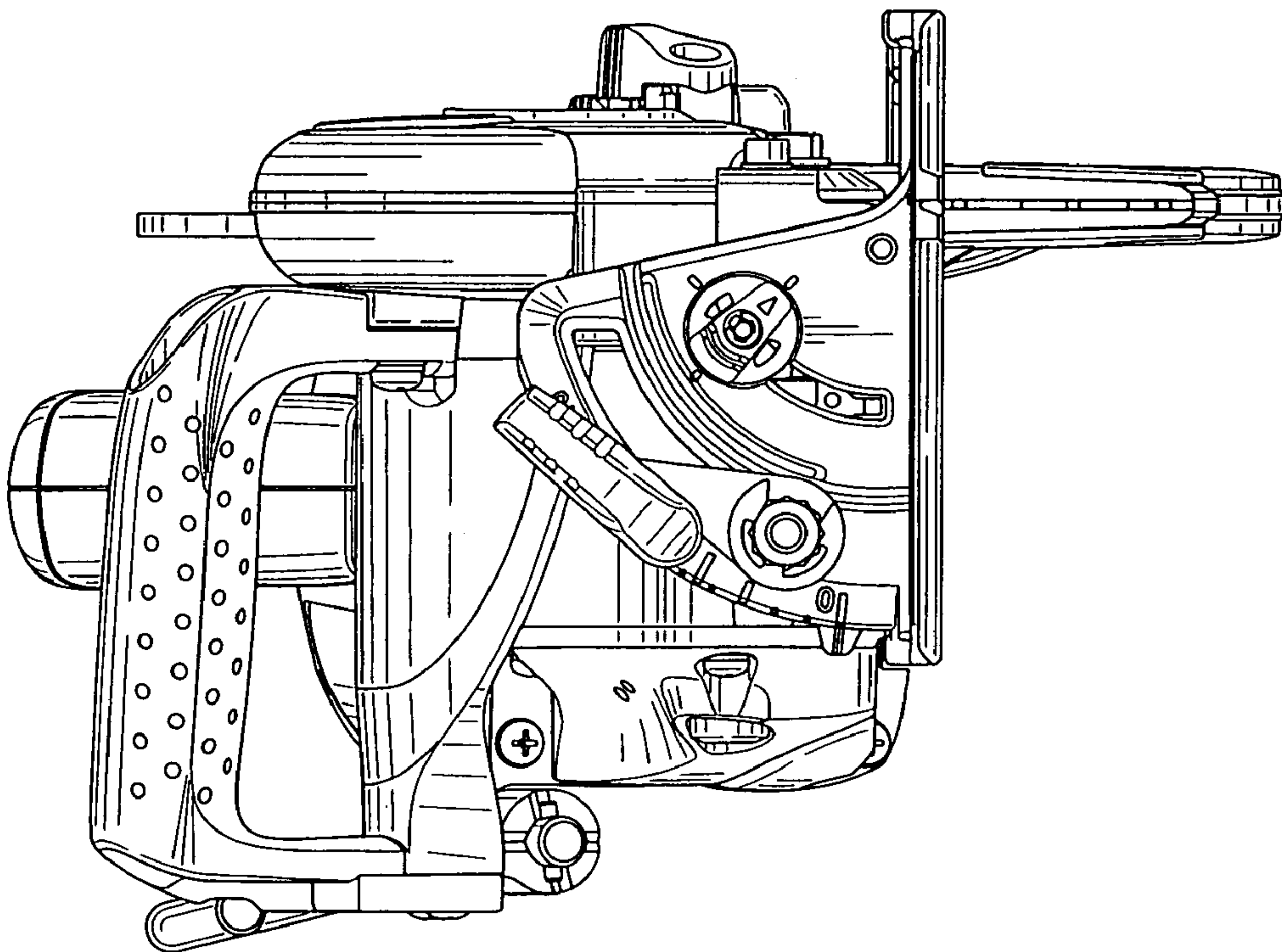


FIG. 6