



US00D559644S

(12) **United States Design Patent**
Kuroyanagi et al.

(10) **Patent No.:** **US D559,644 S**

(45) **Date of Patent:** **** Jan. 15, 2008**

(54) **PORTABLE ELECTRIC CIRCULAR SAW**

(75) Inventors: **Takao Kuroyanagi**, Anjo (JP); **Taiju Tsuboi**, Anjo (JP); **Naohiro Hayakawa**, Anjo (JP)

(73) Assignee: **Makita Corporation**, Anjo (JP)

(**) Term: **14 Years**

(21) Appl. No.: **29/267,702**

(22) Filed: **Oct. 20, 2006**

(30) **Foreign Application Priority Data**

Jun. 26, 2006 (JP) 2006-016483

(51) **LOC (8) Cl.** **08-03**

(52) **U.S. Cl.** **D8/66**

(58) **Field of Classification Search** D8/69,
D8/68, 67, 66, 64, 61, 70; 83/698.41, 747;
30/166.3, 374, 373, 375, 376, 391, 377, 390,
30/388, 389; 125/13.01; 144/218

See application file for complete search history.

(56) **References Cited**

U.S. PATENT DOCUMENTS

D363,656 S *	10/1995	Gierke	D8/66
D411,425 S *	6/1999	Sugimoto et al.	D8/66
D427,872 S *	7/2000	Snider	D8/66
D427,873 S *	7/2000	Inoue	D8/66
D427,874 S *	7/2000	Hayakawa et al.	D8/66
D428,319 S *	7/2000	Gallagher	D8/66
D466,385 S *	12/2002	Shigo et al.	D8/66

D470,376 S *	2/2003	Chunn et al.	D8/66
6,543,143 B2 *	4/2003	Moore et al.	30/391
D502,073 S *	2/2005	Andriolo	D8/66
6,889,439 B2 *	5/2005	Koukal et al.	30/377
D507,949 S *	8/2005	Chunn et al.	D8/66
D514,411 S *	2/2006	Yuen et al.	D8/66
D520,830 S *	5/2006	Suzuki et al.	D8/66
D521,336 S *	5/2006	Heun	D8/66
D522,833 S	6/2006	Kokawa		
D527,599 S *	9/2006	Ng	D8/66
D531,473 S *	11/2006	Lopano	D8/66

* cited by examiner

Primary Examiner—Cathron C. Brooks

Assistant Examiner—Austin Murphy

(74) *Attorney, Agent, or Firm*—Oliff & Berridge, PLC

(57) **CLAIM**

The ornamental design for a portable electric circular saw, as shown and described.

DESCRIPTION

FIG. 1 is a perspective view of top, front and right side of a portable electric circular saw showing our new design;

FIG. 2 is a front view thereof;

FIG. 3 is a rear view thereof;

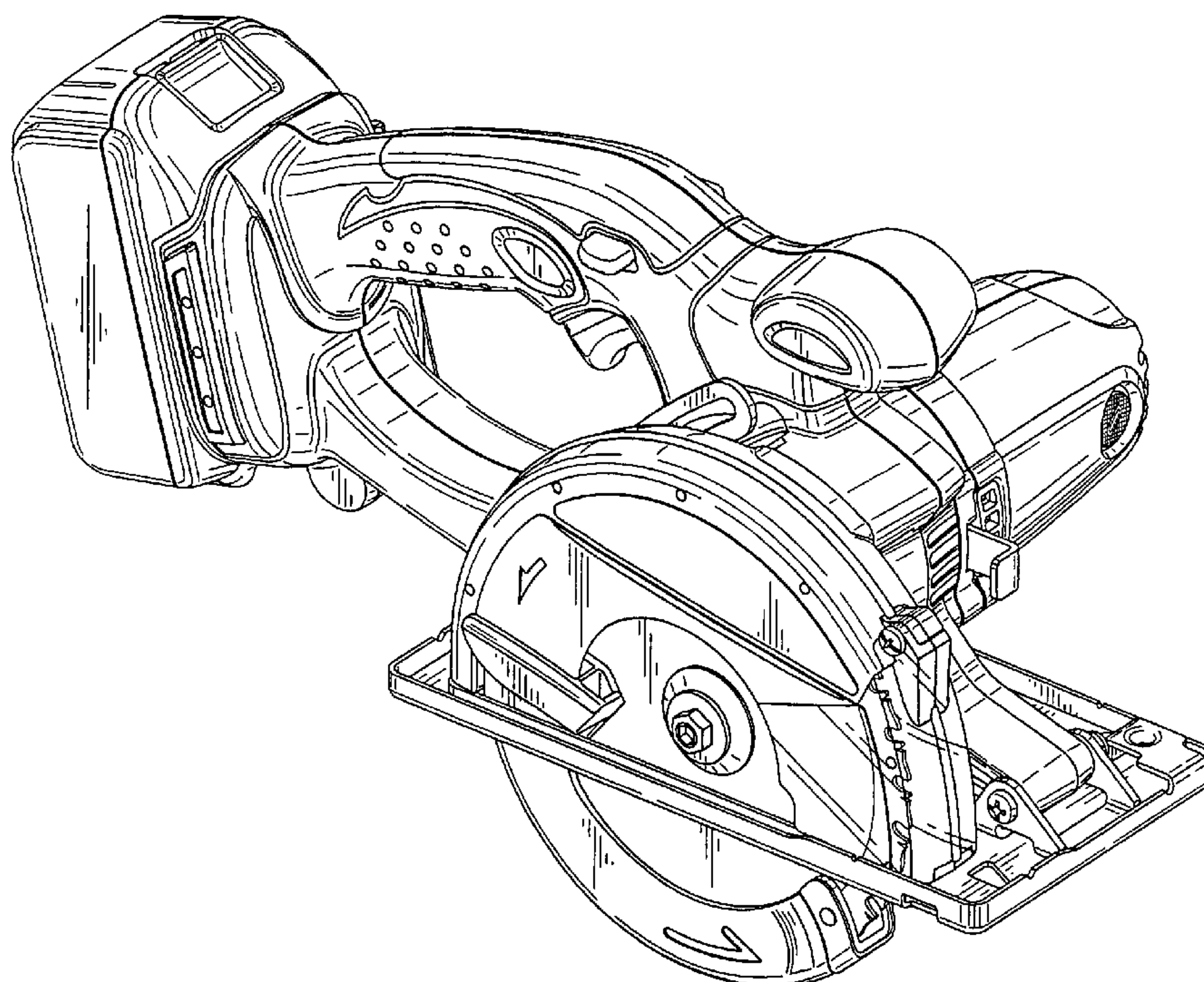
FIG. 4 is a top plan view thereof;

FIG. 5 is a bottom view thereof;

FIG. 6 is a left side view thereof; and,

FIG. 7 is a right side view thereof.

1 Claim, 6 Drawing Sheets



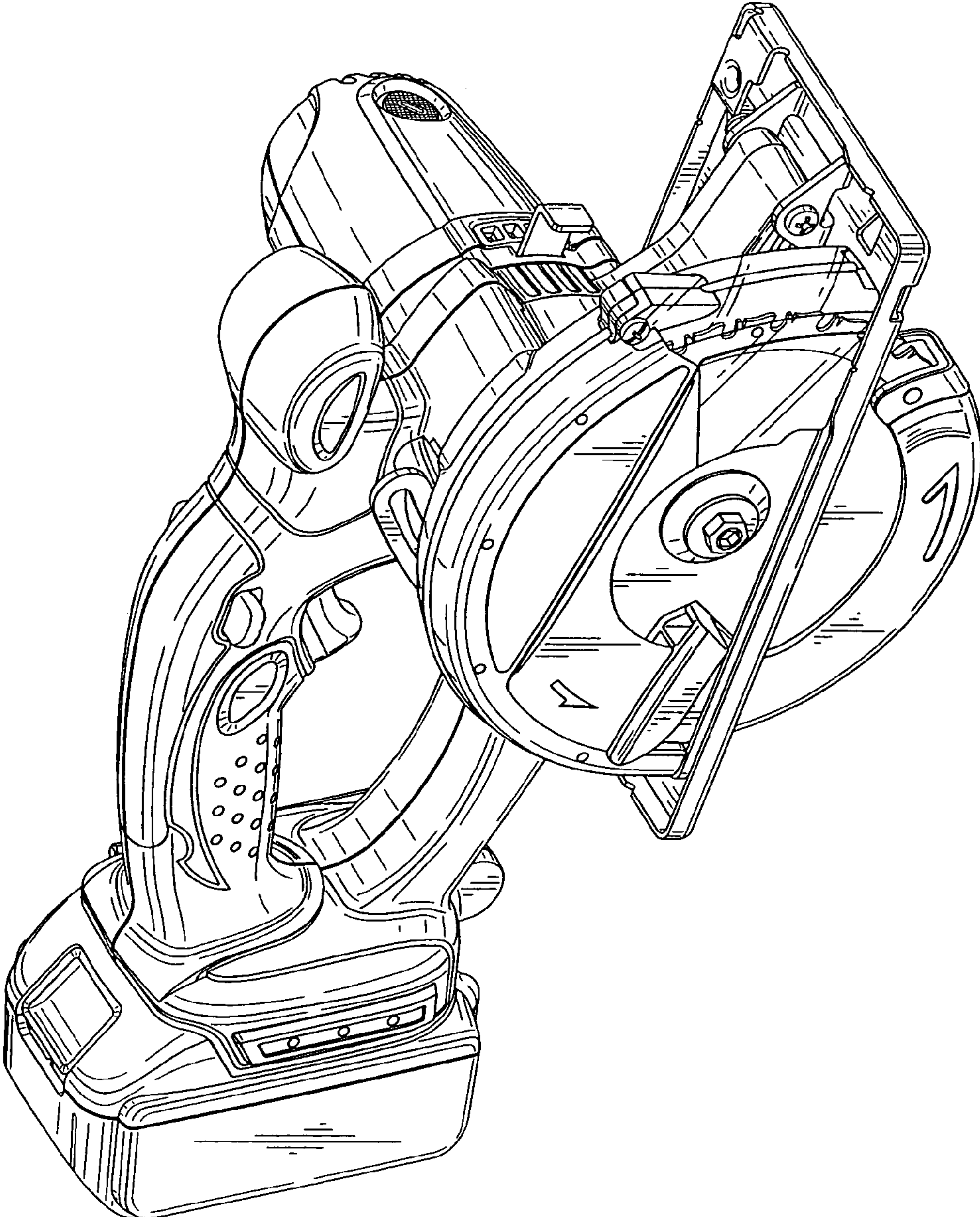


FIG. 1

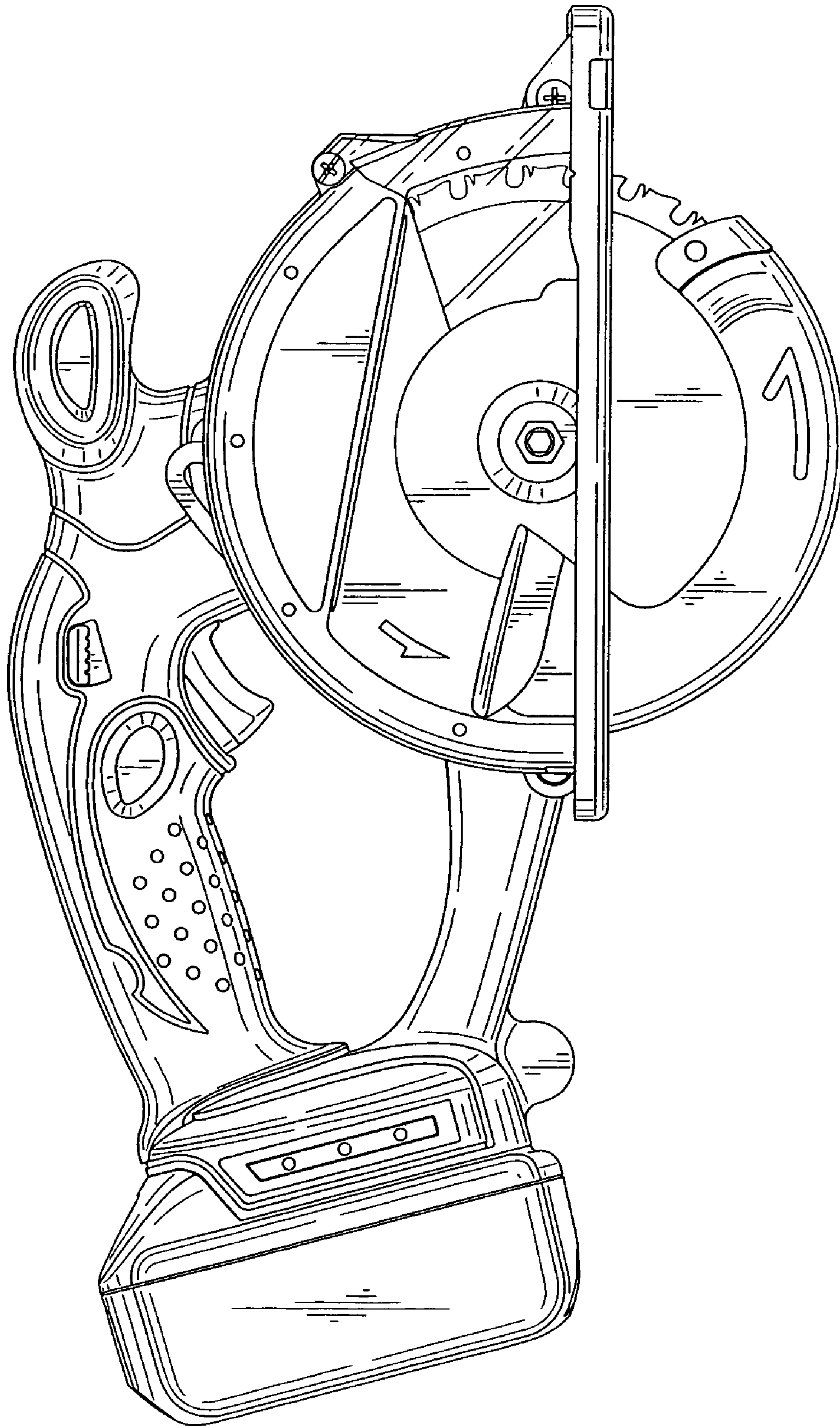


FIG. 2

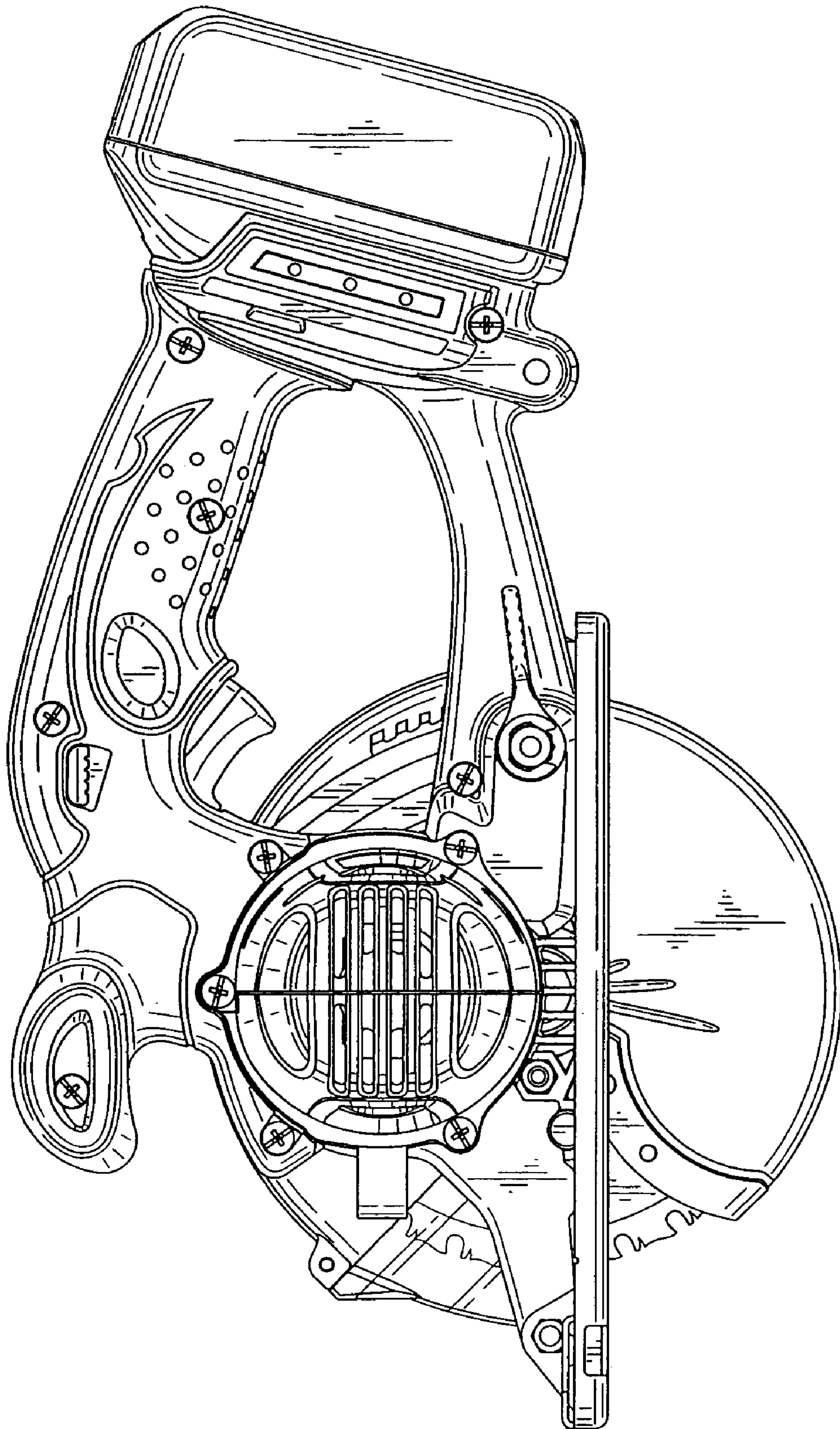


FIG. 3

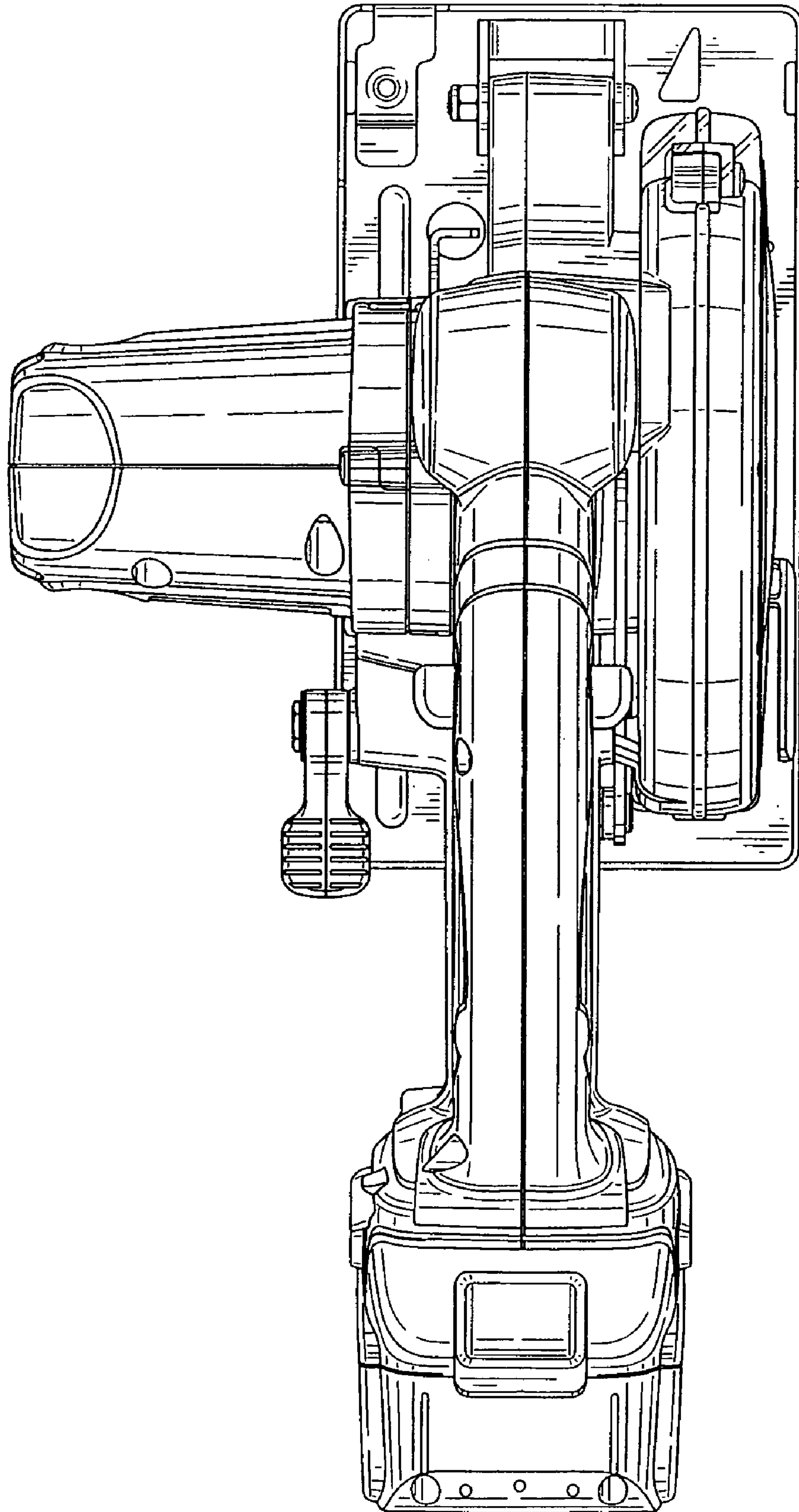


FIG. 4

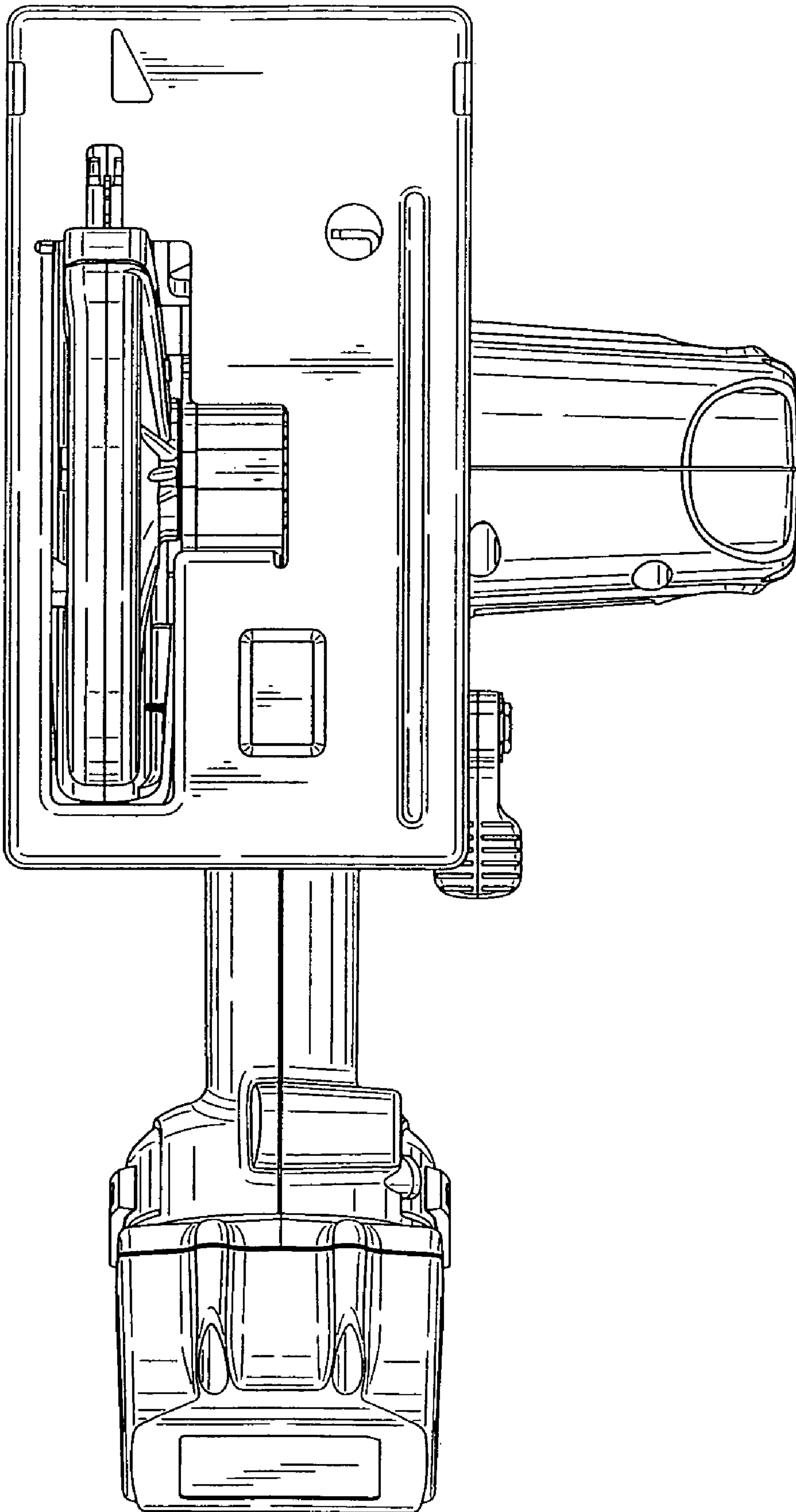


FIG. 5

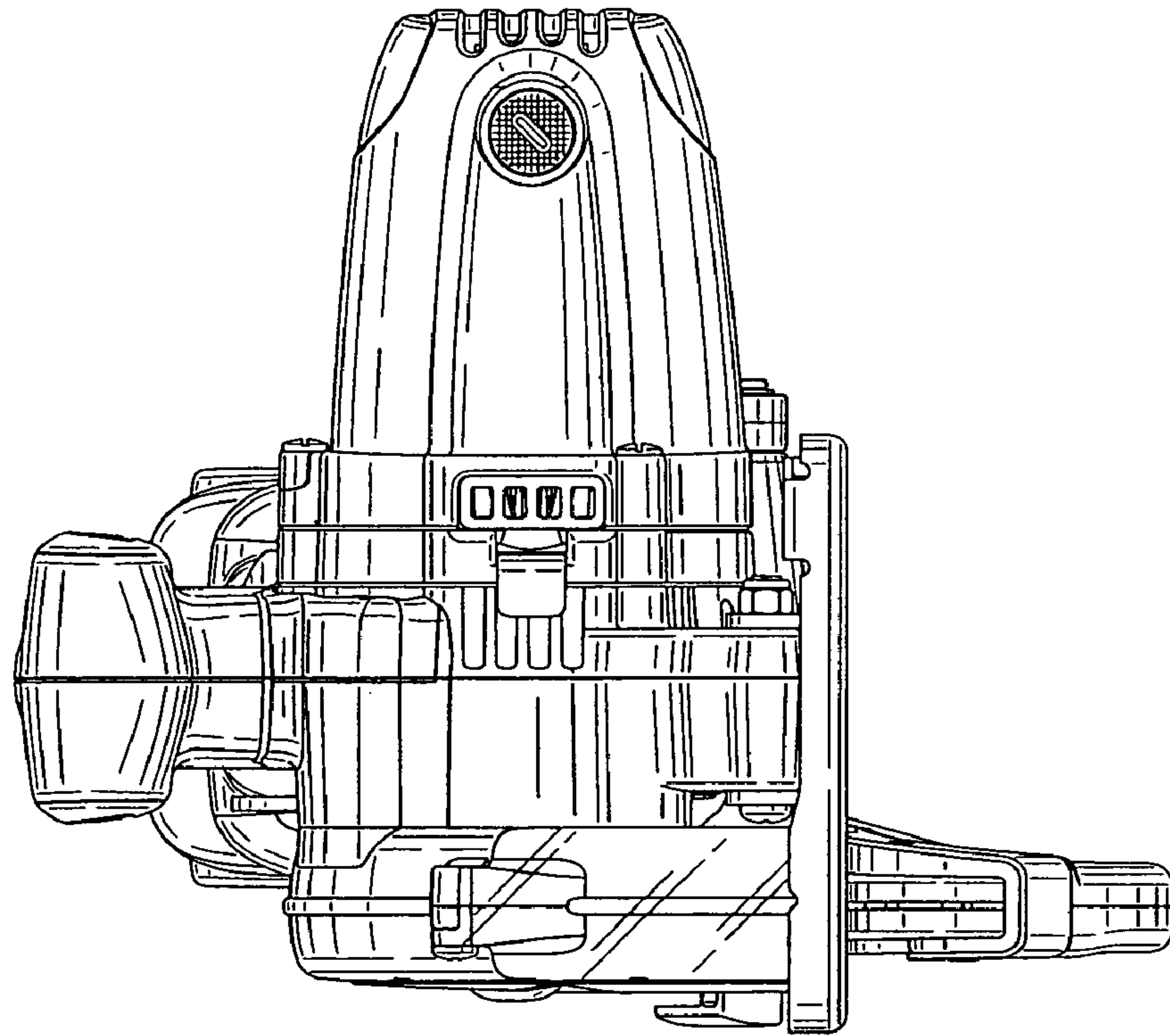


FIG. 7

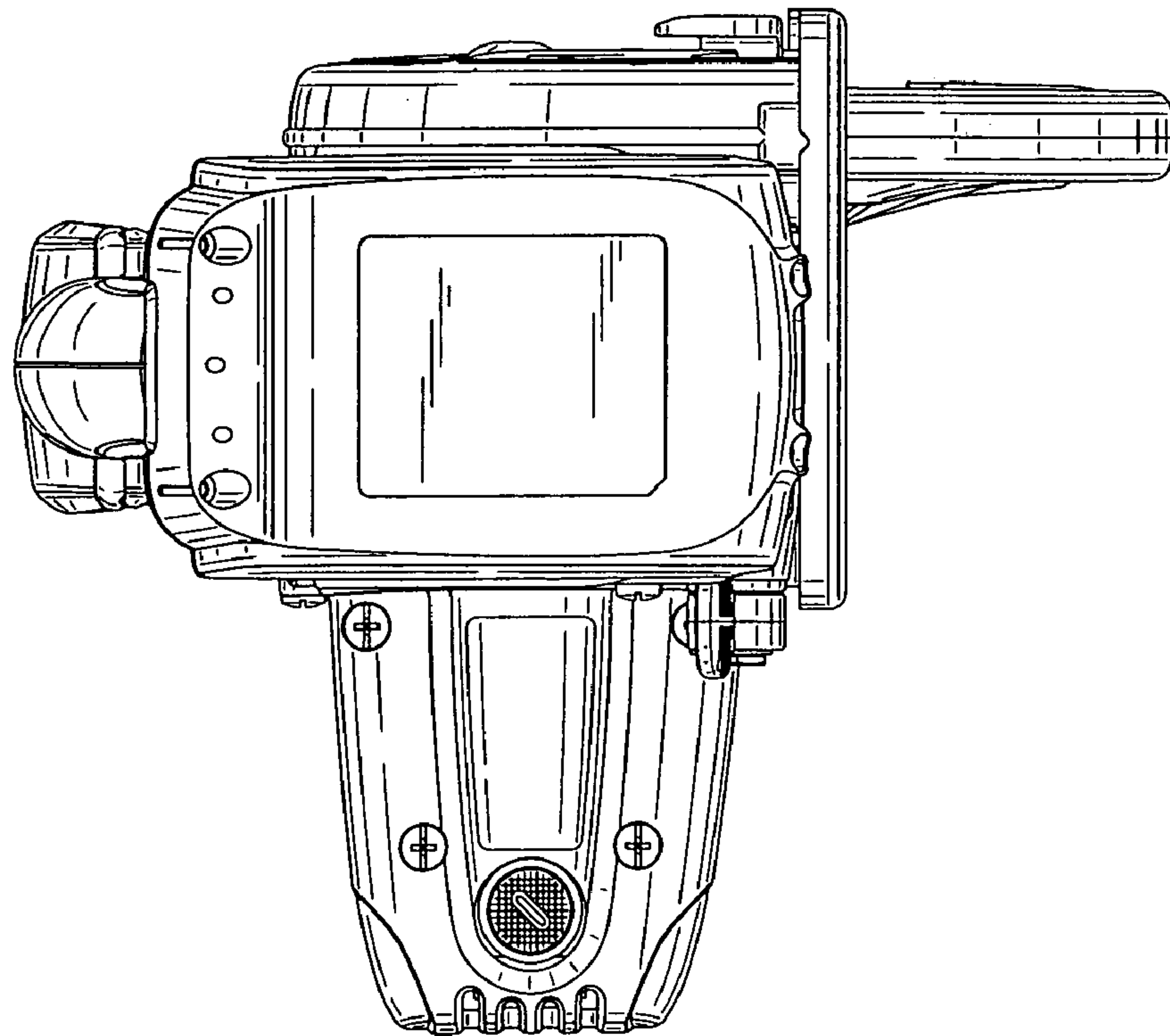


FIG. 6