



US00D559640S

(12) **United States Design Patent** (10) **Patent No.:** **US D559,640 S**
Kraus et al. (45) **Date of Patent:** **** Jan. 15, 2008**

(54) **PALM GRIP SANDER**

(75) Inventors: **James Kraus**, Gold Canyon, AZ (US);
Carl C. Carlson, Vernon Hills, IL
(US); **Paul D. Hatch**, Chicago, IL
(US); **Christopher Barmore**, Chicago,
IL (US); **Hans-Peter Aglassinger**,
Esslingen (DE); **Christoph Cramer**,
Aichtal (DE); **Monika Renner**, Weil
der Stadt (DE)

(73) Assignee: **Credo Technology Corporation**,
Wilmington, DE (US)

(**) Term: **14 Years**

(21) Appl. No.: **29/230,307**

(22) Filed: **May 19, 2005**

(51) **LOC (8) Cl.** **08-01**

(52) **U.S. Cl.** **D8/62**

(58) **Field of Classification Search** D8/67,
D8/62, 61; D32/15, 17, 19; D4/102; 451/456,
451/451, 359, 358, 357, 356, 355, 354, 353,
451/351, 344

See application file for complete search history.

(56) **References Cited**

U.S. PATENT DOCUMENTS

D286,736 S * 11/1986 Somers D8/62
D310,007 S * 8/1990 Saito et al. D8/62
D323,963 S * 2/1992 Bunyea D8/62
D376,304 S * 12/1996 Clowers et al. D8/62
D408,245 S * 4/1999 Evans et al. D8/62
D448,262 S * 9/2001 Heun D8/62
6,454,640 B1 * 9/2002 Siedler et al. 451/357
6,514,131 B1 * 2/2003 Reich et al. 451/344
D476,543 S * 7/2003 Wu D8/62

D478,488 S * 8/2003 Bruno et al. D8/62
D498,399 S * 11/2004 Wu D8/62
6,857,948 B2 * 2/2005 Bocka et al. 451/356
D503,600 S * 4/2005 Bian D8/62
D507,731 S * 7/2005 Robson D8/62
D509,722 S * 9/2005 Wikle et al. D8/62
7,134,951 B1 * 11/2006 Leon et al. 451/520
D536,942 S * 2/2007 Cooper et al. D8/62
D538,122 S * 3/2007 Etter et al. D8/62
D548,556 S * 8/2007 Stratford et al. D8/62
2005/0085172 A1 * 4/2005 Gansel et al. 451/356
2005/0221738 A1 * 10/2005 Cooper et al. 451/357

* cited by examiner

Primary Examiner—Cathron C. Brooks

Assistant Examiner—Austin Murphy

(74) *Attorney, Agent, or Firm*—Victor A. Henzi

(57) **CLAIM**

The ornamental design for a palm grip sander, as shown and described.

DESCRIPTION

FIG. 1 is a front left perspective view of the present new design for a palm grip sander;

FIG. 2 is a right elevational view thereof;

FIG. 3 is a front elevational view thereof;

FIG. 4 is a left elevational view thereof;

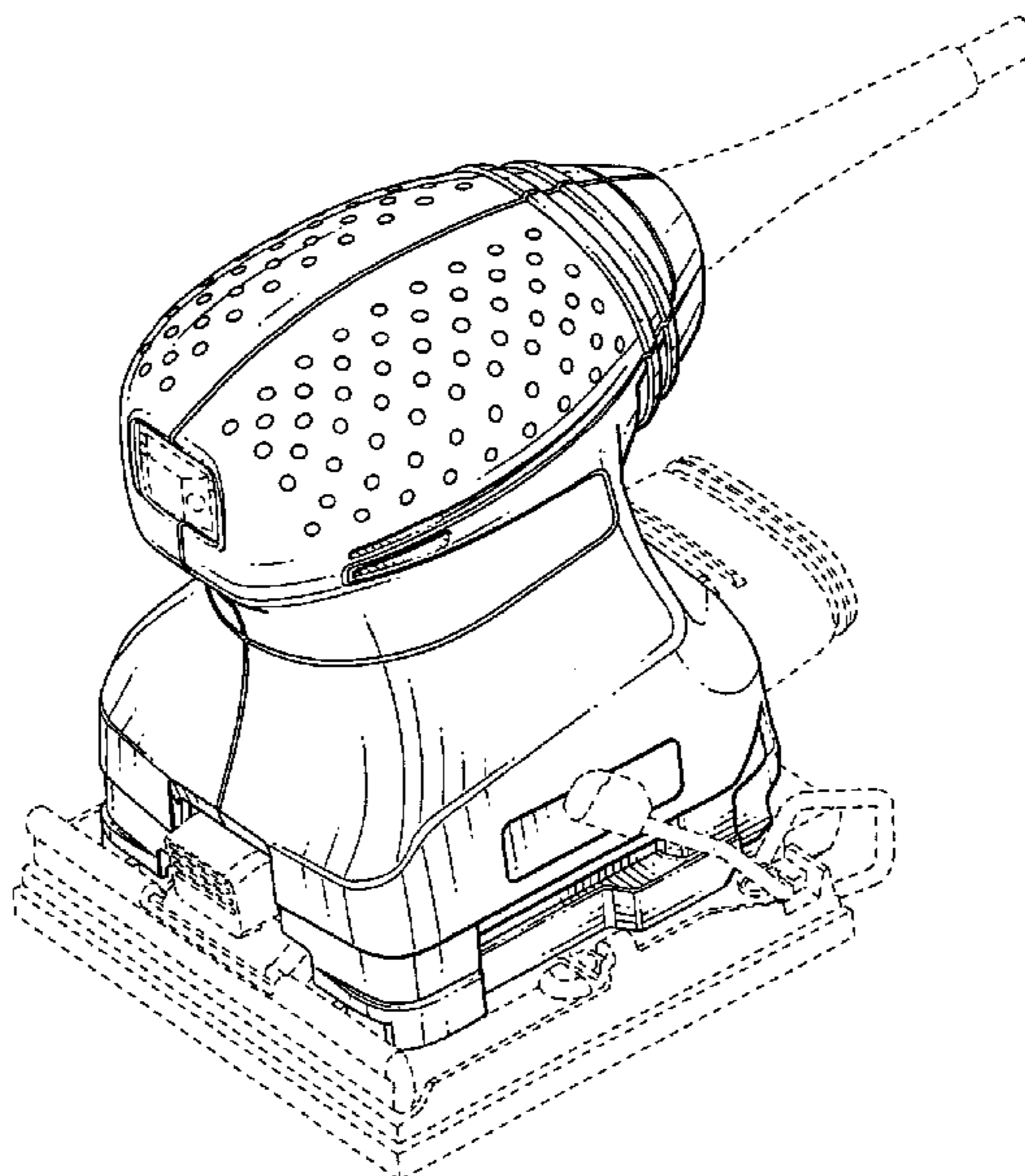
FIG. 5 is a rear elevational view thereof;

FIG. 6 is a top plan view thereof; and,

FIG. 7 is a bottom plan view thereof.

The broken lines showing various features of a palm grip sander are for illustrative purposes only and form no part of the claimed design.

1 Claim, 7 Drawing Sheets



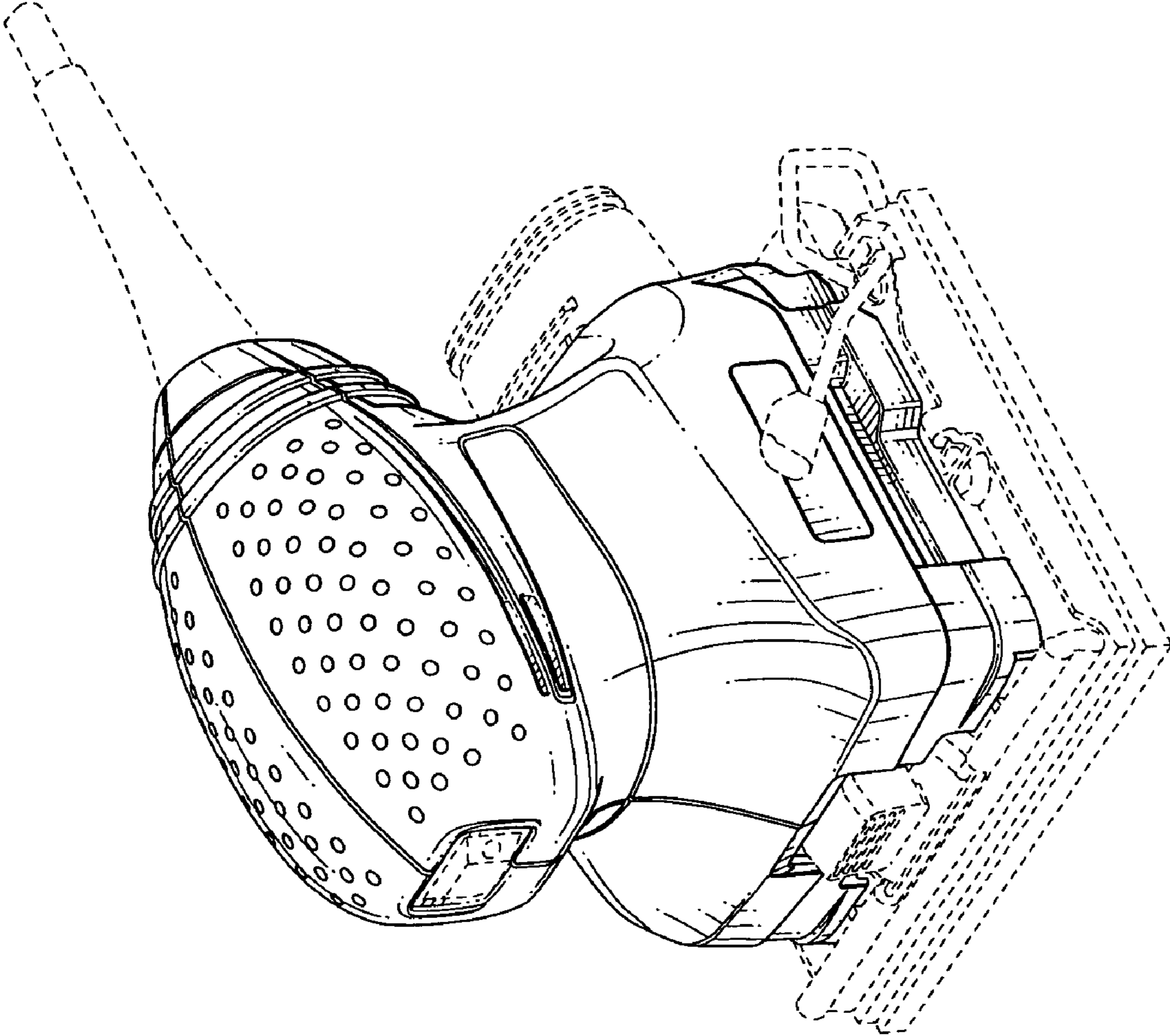
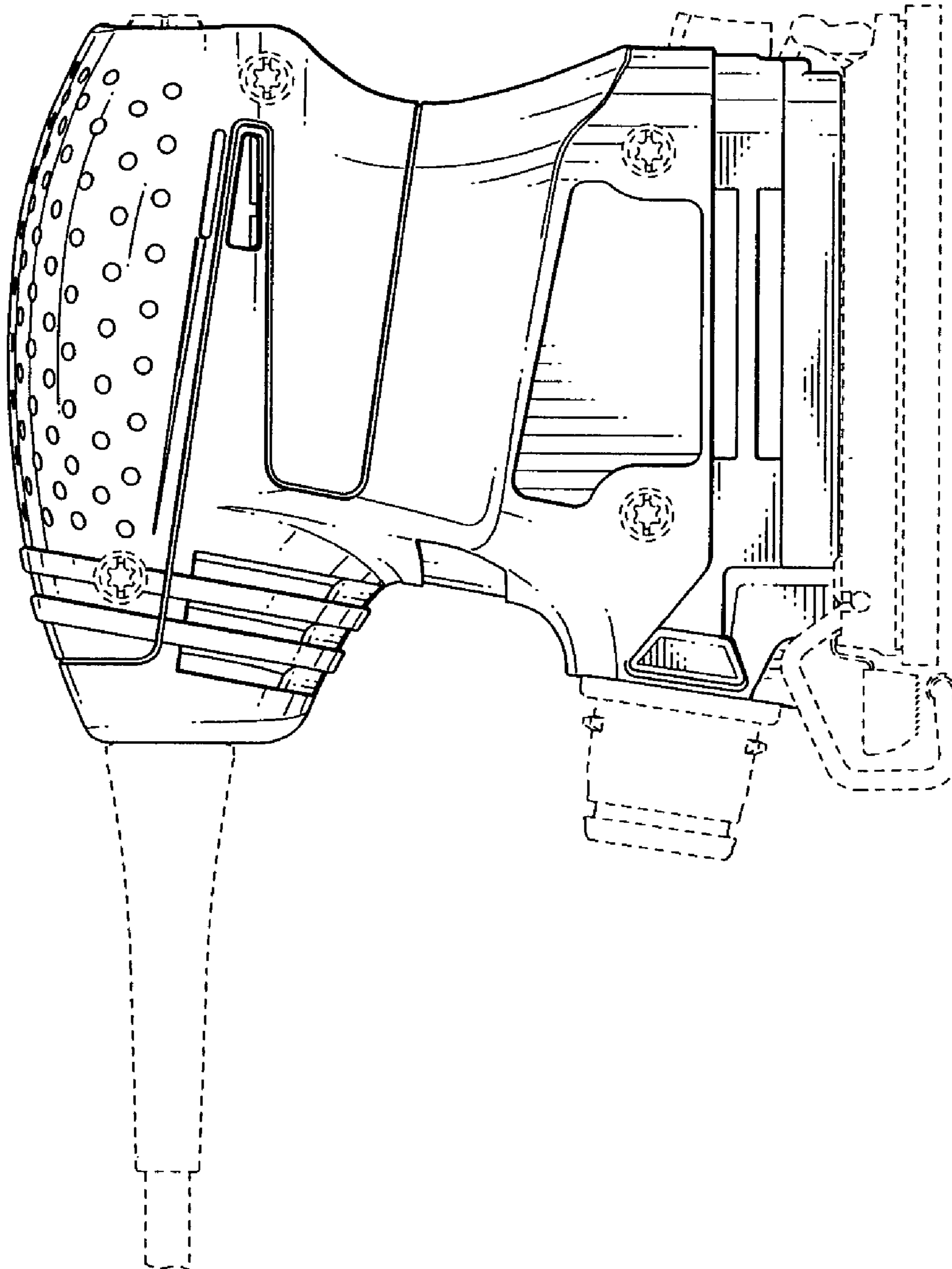


FIG. 1

FIG. 2



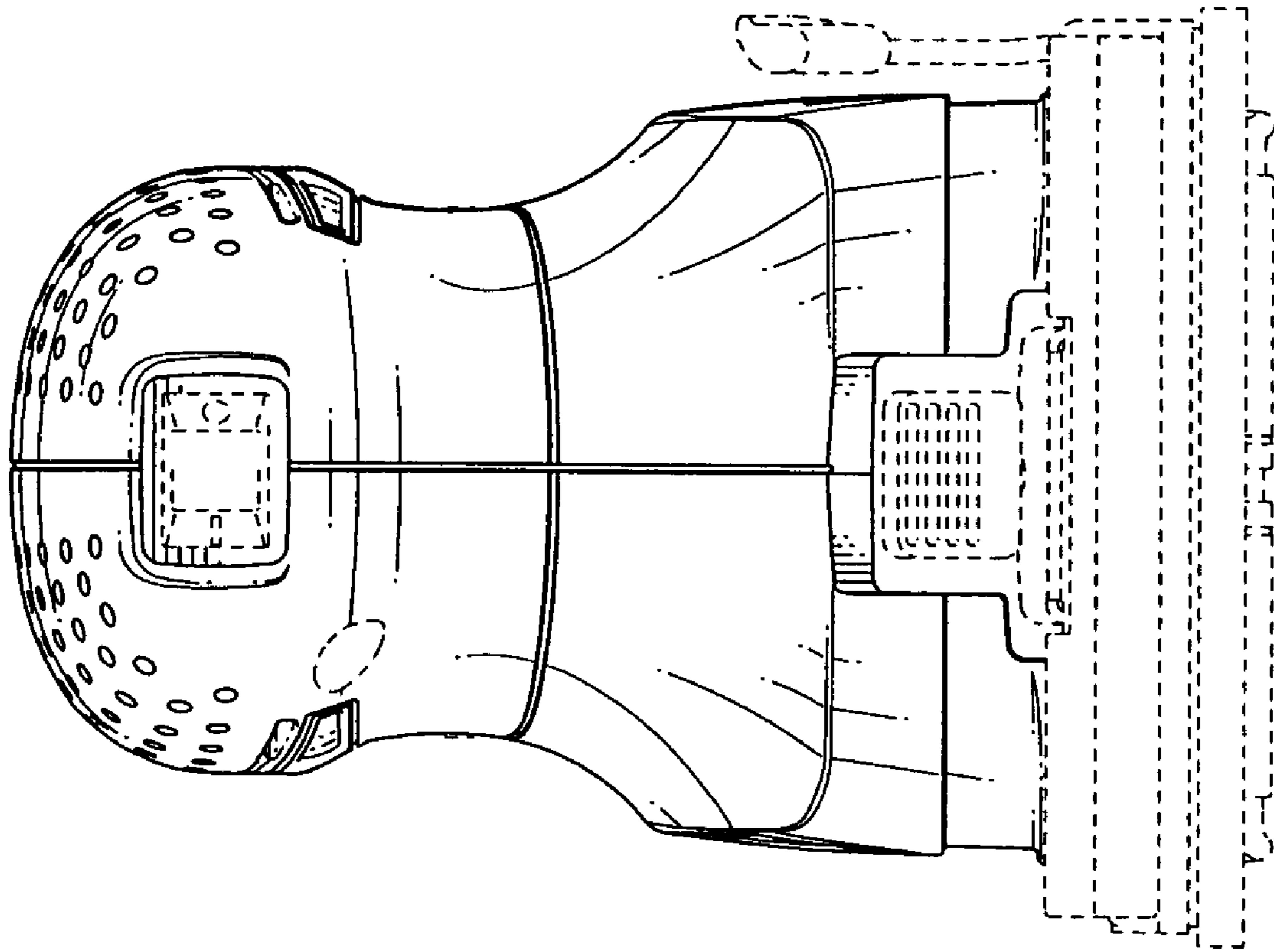


FIG. 3

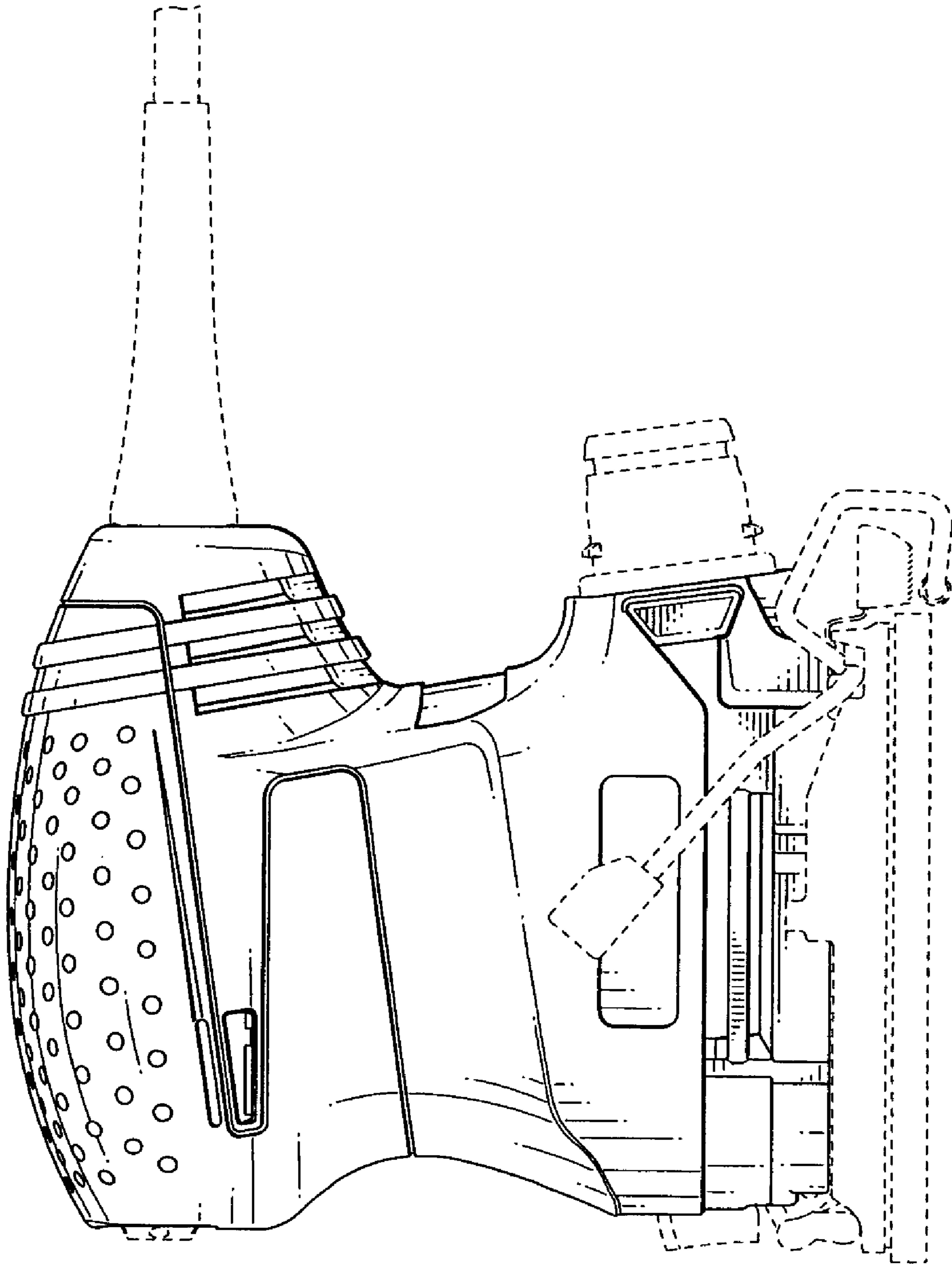


FIG. 4

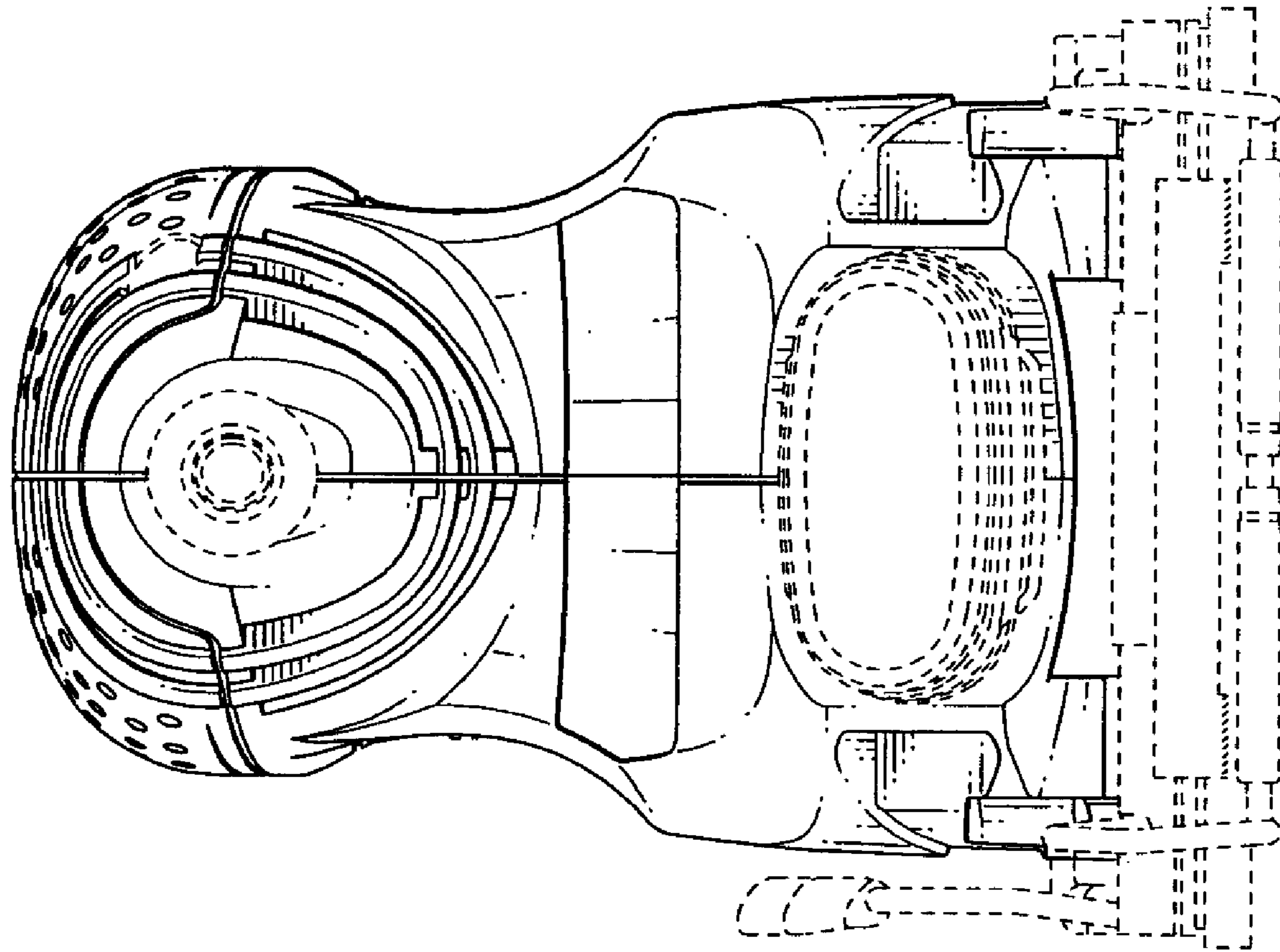


FIG. 5

FIG. 6

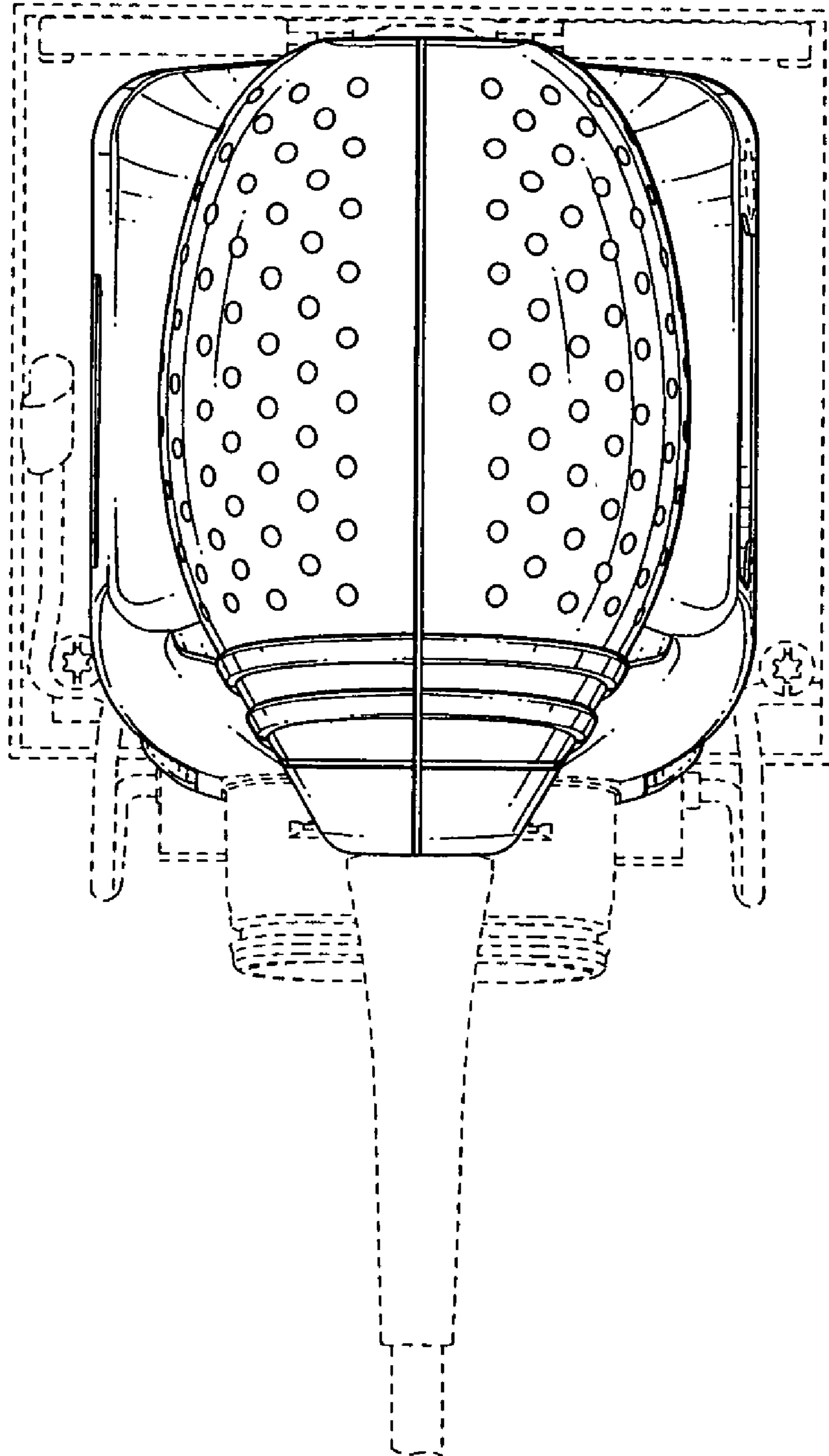


FIG. 7

