



US00D559637S

(12) **United States Design Patent**  
**Palermo et al.**

(10) **Patent No.:** **US D559,637 S**  
(45) **Date of Patent:** **\*\* Jan. 15, 2008**

- (54) **TOOL HANDLE**
- (75) Inventors: **Philip D. Palermo**, Marietta, GA (US);  
**Russell J. Kroll**, Atlanta, GA (US)
- (73) Assignee: **Ingersoll-Rand Company**, Montvale,  
NJ (US)
- (\*\*) Term: **14 Years**
- (21) Appl. No.: **29/279,132**
- (22) Filed: **Apr. 20, 2007**

- 5,689,887 A 11/1997 Heywood et al.
- 5,850,696 A 12/1998 Sciarrone
- D408,700 S 4/1999 Juratovac et al.
- 5,926,960 A 7/1999 Heywood et al.
- 6,105,263 A 8/2000 Stones et al.
- 7,140,114 B2 11/2006 Shenker et al.

*Primary Examiner*—Holly H. Baynham  
*Assistant Examiner*—Sheryl Friedman  
 (74) *Attorney, Agent, or Firm*—Michael Best & Friedrich LLP

**Related U.S. Application Data**

- (62) Division of application No. 29/231,055, filed on May 31, 2005, now Pat. No. Des. 547,622.

- (51) **LOC (8) Cl.** ..... **08-01**
- (52) **U.S. Cl.** ..... **D8/8**
- (58) **Field of Classification Search** ..... D8/1,  
D8/5, 6, 8; 56/12.7, 233–237; 30/138, 208–210,  
30/216, 276, 382, 383  
See application file for complete search history.

**References Cited**

**U.S. PATENT DOCUMENTS**

- 1,458,250 A 6/1923 Staudinger
- D256,769 S 9/1980 Irelan
- 4,389,779 A 6/1983 Overbury et al.
- D315,085 S 3/1991 Sepke

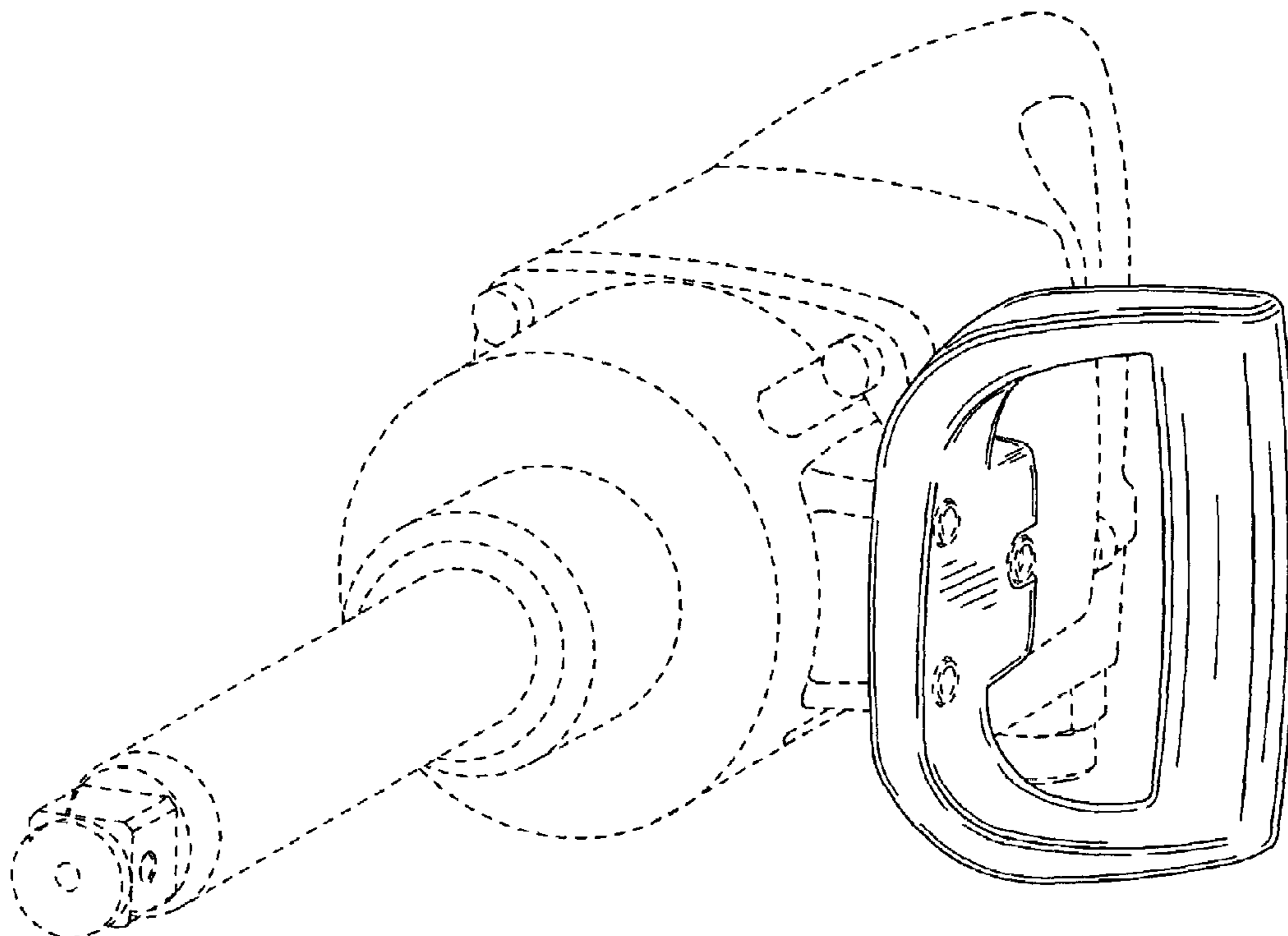
(57) **CLAIM**

We claim the ornamental design for a tool handle, as shown and described.

**DESCRIPTION**

FIG. 1 is a perspective view of an auxiliary handle of a tool.  
 FIG. 2 is a front end view of the handle of FIG. 1.  
 FIG. 3 is a rear end view of the handle of FIG. 1.  
 FIG. 4 is a top view of the handle of FIG. 1.  
 FIG. 5 is a bottom view of the handle of FIG. 1.  
 FIG. 6 is a left side view of the handle of FIG. 1; and,  
 FIG. 7 is a right side view of the handle of FIG. 1.  
 The broken line showing of the environment is for illustrative purposes only and forms no part of the claimed design.

**1 Claim, 6 Drawing Sheets**



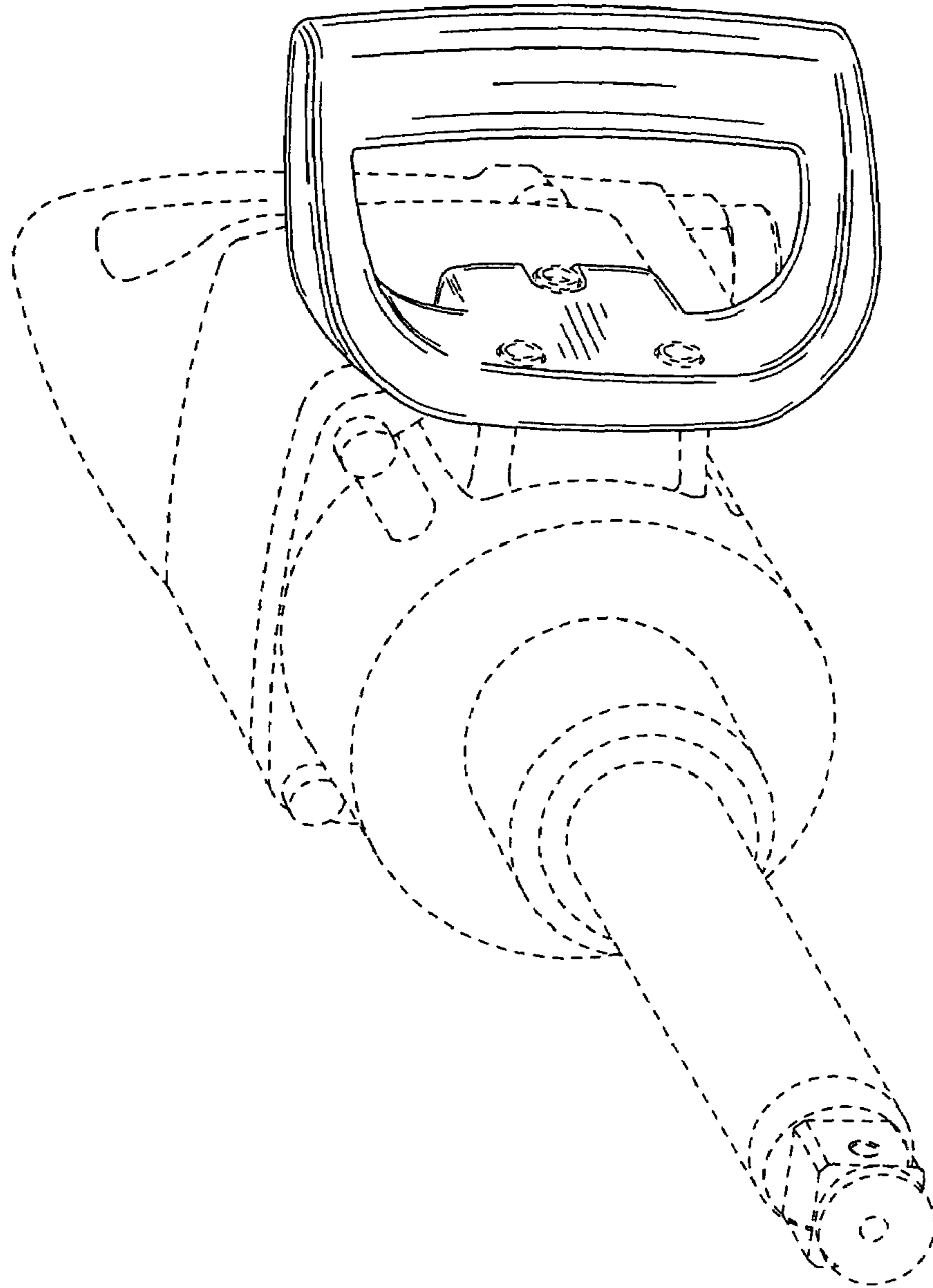
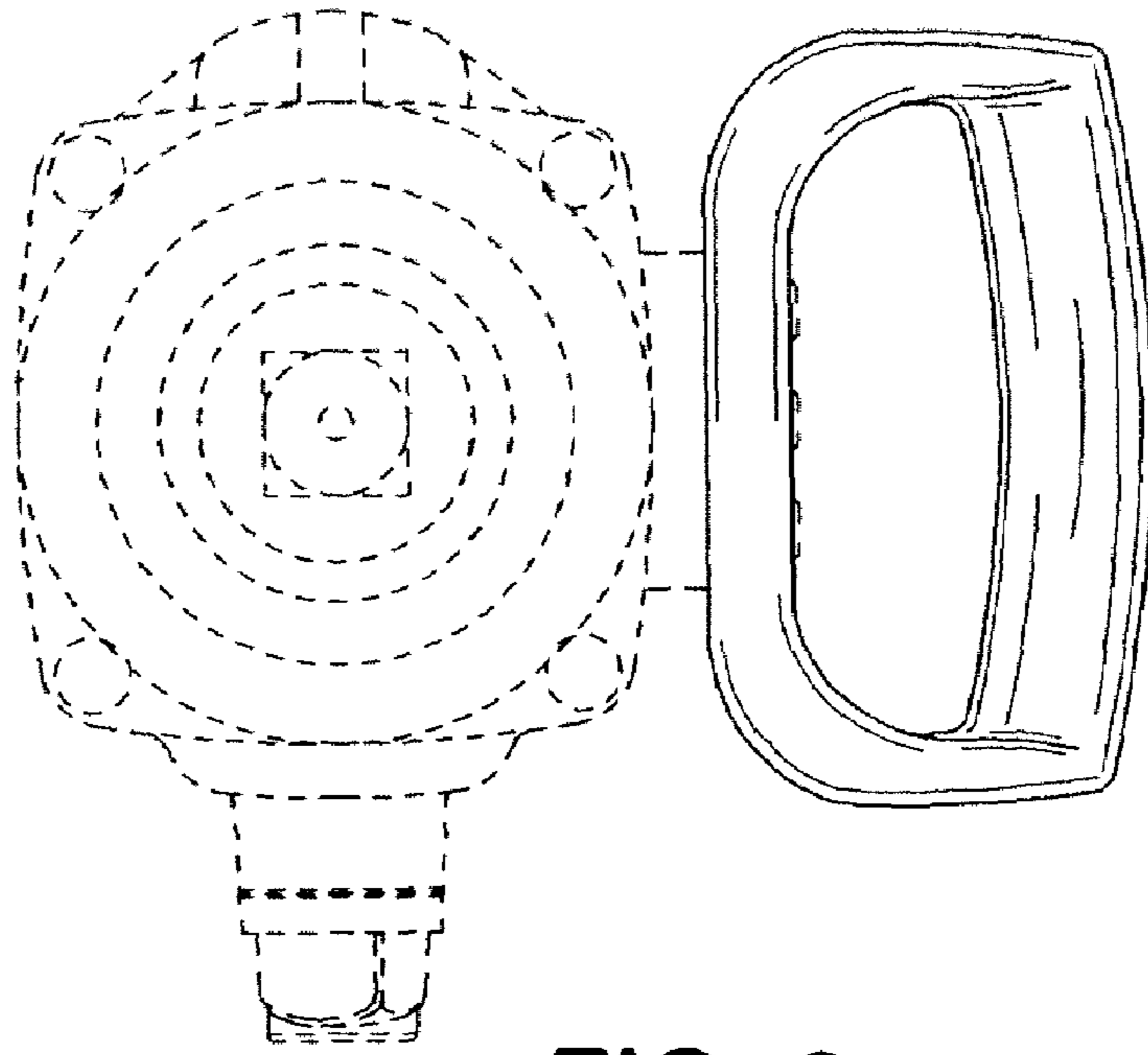
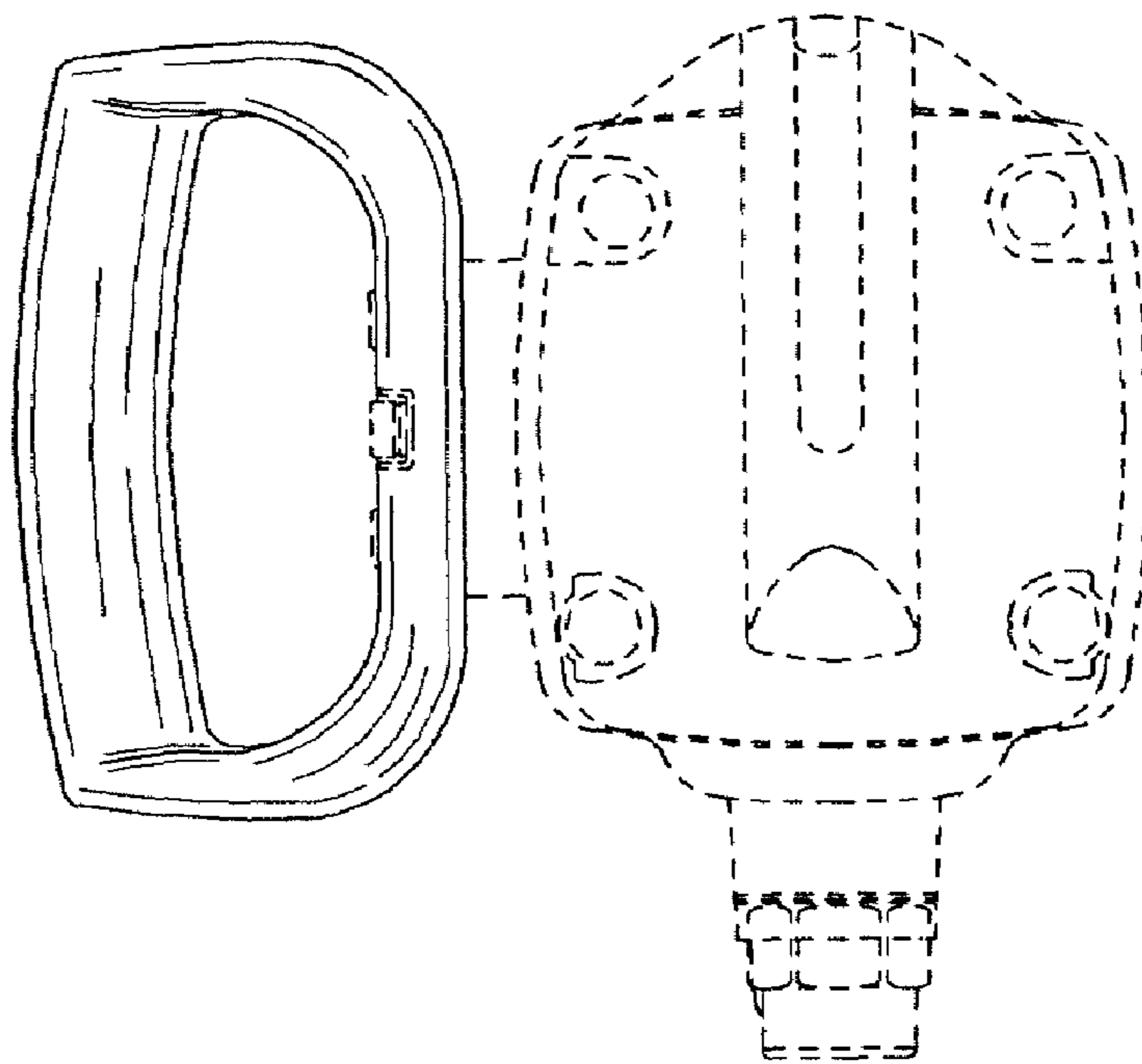


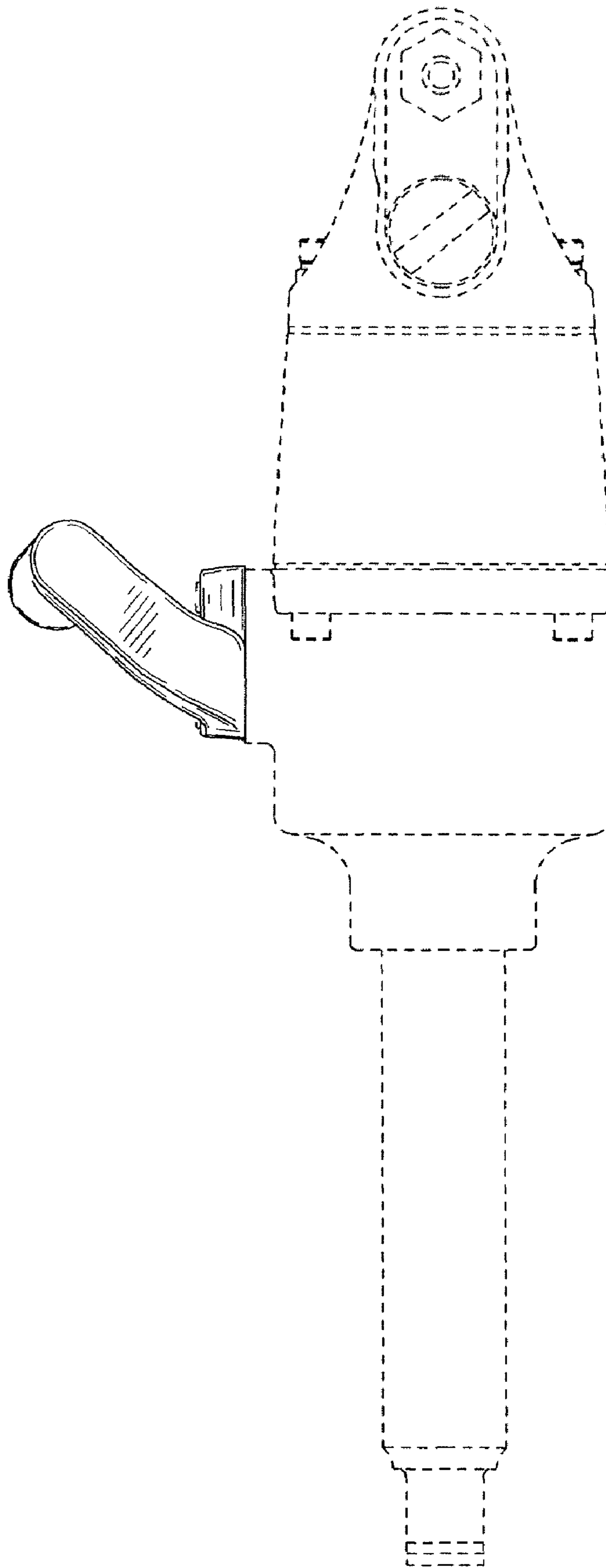
FIG. 1



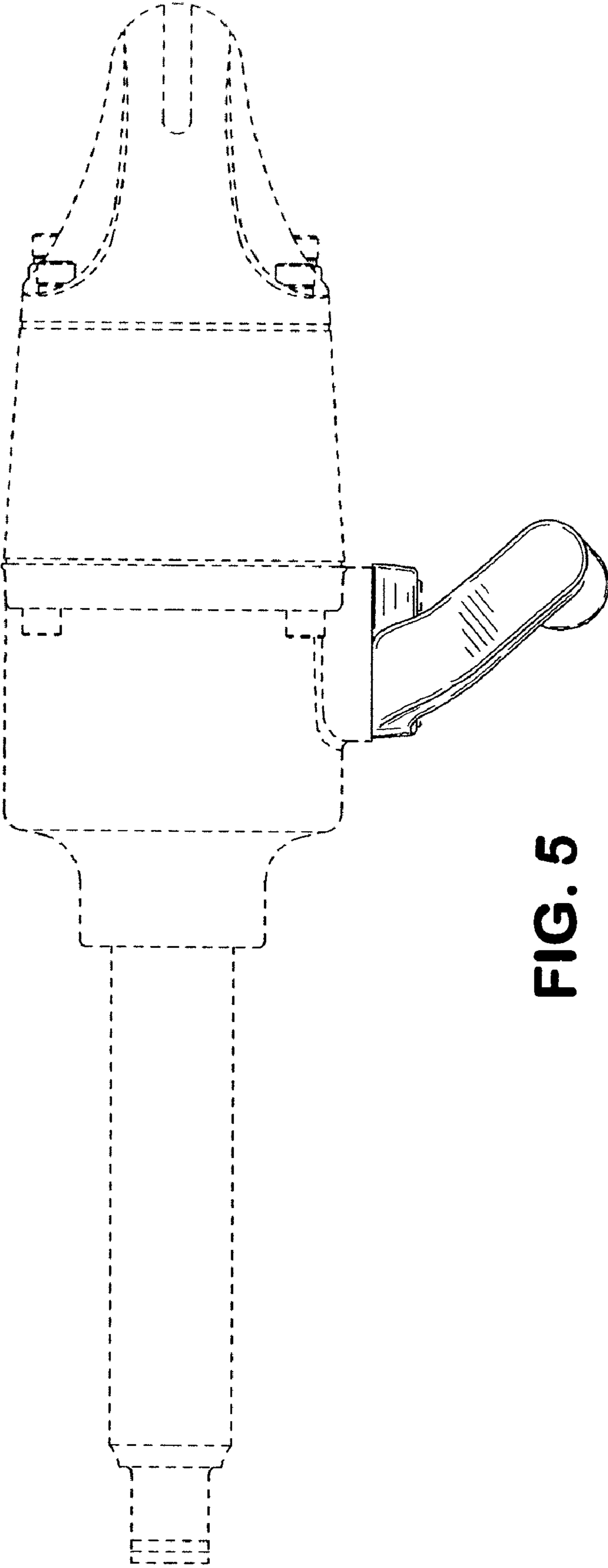
**FIG. 2**



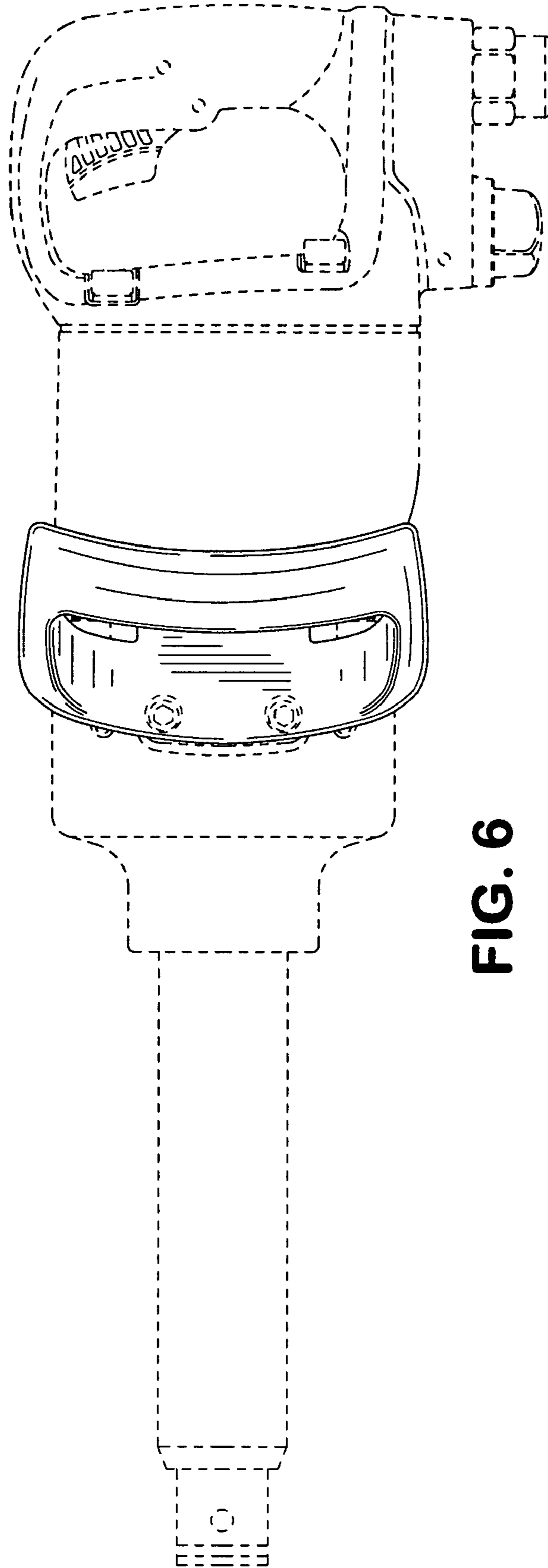
**FIG. 3**



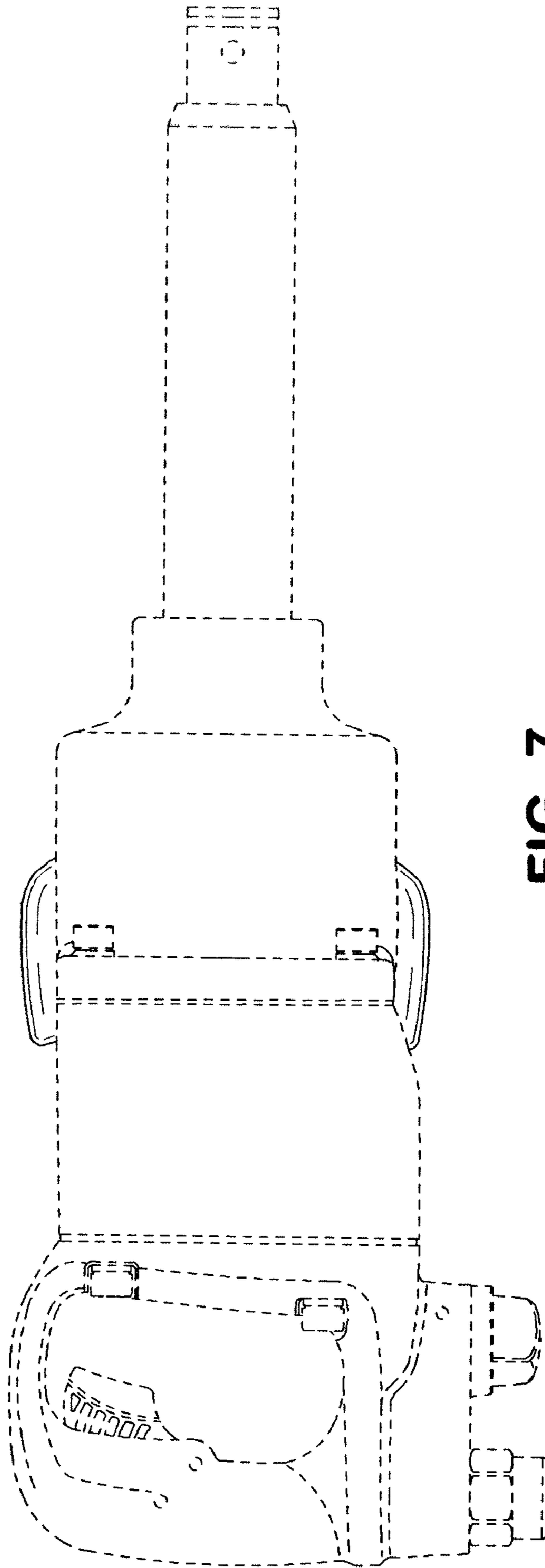
**FIG. 4**



**FIG. 5**



**FIG. 6**



**FIG. 7**