



US00D559635S

(12) **United States Design Patent**
Wong

(10) **Patent No.:** **US D559,635 S**
(45) **Date of Patent:** **** Jan. 15, 2008**

(54) **MANDOLIN STAINLESS STEEL FOOD SLICER**

6,732,622 B2 * 5/2004 Vincent 30/279.6
D495,218 S * 8/2004 Yu D7/673
D503,314 S 3/2005 Wong
D505,301 S 5/2005 Wong

(76) Inventor: **Vincent Wong**, 13430 NW. 16th,
Bellevue, WA (US) 98005

(**) Term: **14 Years**

(21) Appl. No.: **29/239,788**

(22) Filed: **Jan. 9, 2006**

(51) **LOC (8) Cl.** **07-04**

(52) **U.S. Cl.** **D7/673; D7/693**

(58) **Field of Classification Search** D7/672,
D7/673, 678, 693, 381; 30/278, 279.6, 280,
30/283, 286, 287, 289-291; 83/669, 856,
83/857, 932, 870, 699.51, 699.61; 241/95,
241/100, 168, 169, 93, 101.1, 101.2

See application file for complete search history.

(56) **References Cited**

U.S. PATENT DOCUMENTS

66,402 A	7/1867	Schwartz	
D4,676 S	2/1871	Dartholomew	
144,596 A	11/1873	Botsford	
2,776,793 A	1/1957	Nystrom	
3,495,639 A	2/1970	Johansson	
4,028,892 A	6/1977	Hinkle	
D249,044 S	8/1978	Popeil	
D326,380 S	5/1992	Edwards	
5,148,731 A *	9/1992	Boerner	83/857
D397,745 S	9/1998	Wu	
D400,767 S *	11/1998	de Saint-Genois	D7/673
D406,018 S	2/1999	Zirbes	
D442,033 S	5/2001	de Saint-Genois	

* cited by examiner

Primary Examiner—Terry A Wallace

(74) *Attorney, Agent, or Firm*—Matthew W. Jellett; Hughes Law Firm, PLLC

(57) **CLAIM**

The ornamental design for a mandolin stainless steel food slicer, as shown and described.

DESCRIPTION

FIG. 1 is a top perspective view of the embodiment of the present invention;

FIG. 2 is a front perspective view thereof;

FIG. 3 is a side perspective view thereof;

FIG. 4 is a back perspective view thereof;

FIG. 5 is a bottom perspective view thereof;

FIG. 6 is a top perspective view as in FIG. 1 with the leg supports folded thereunder;

FIG. 7 is a top perspective view thereof showing a first embodiment of the vertical blade edge pattern; and,

FIG. 8 is a top perspective view thereof showing a second embodiment of the vertical blade edge pattern.

The vertical blade edge patterns shown in FIGS. 7 and 8 are provided separately for clarity of illustration.

1 Claim, 8 Drawing Sheets



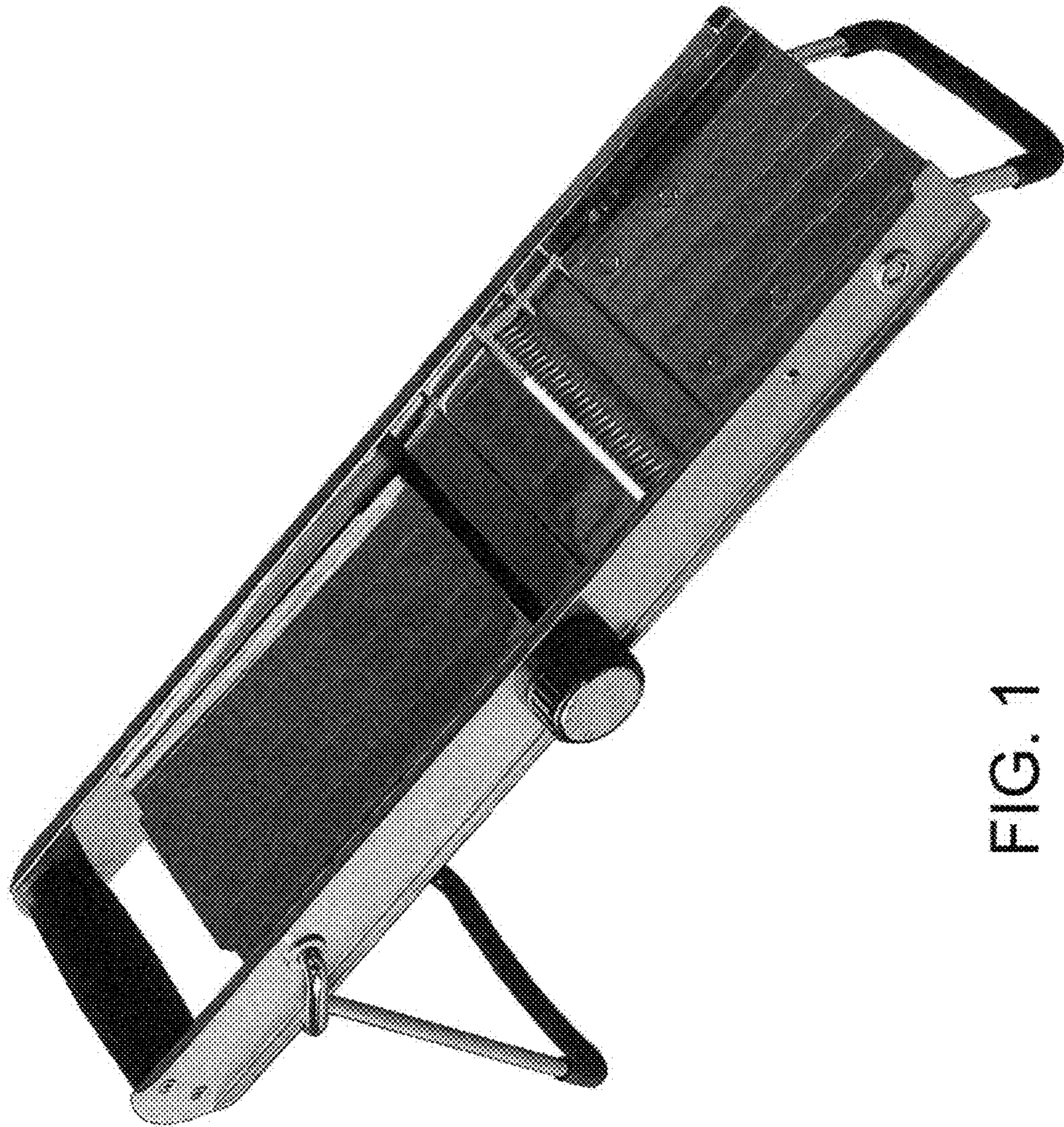


FIG. 1

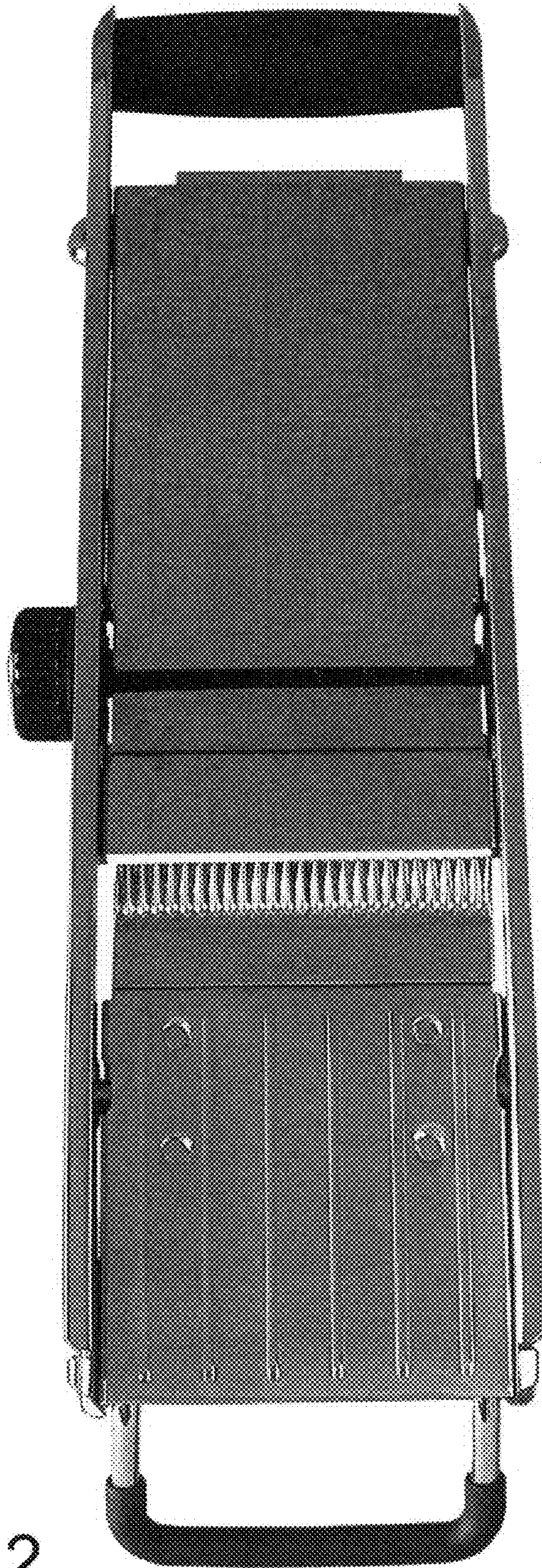


FIG. 2



FIG. 3

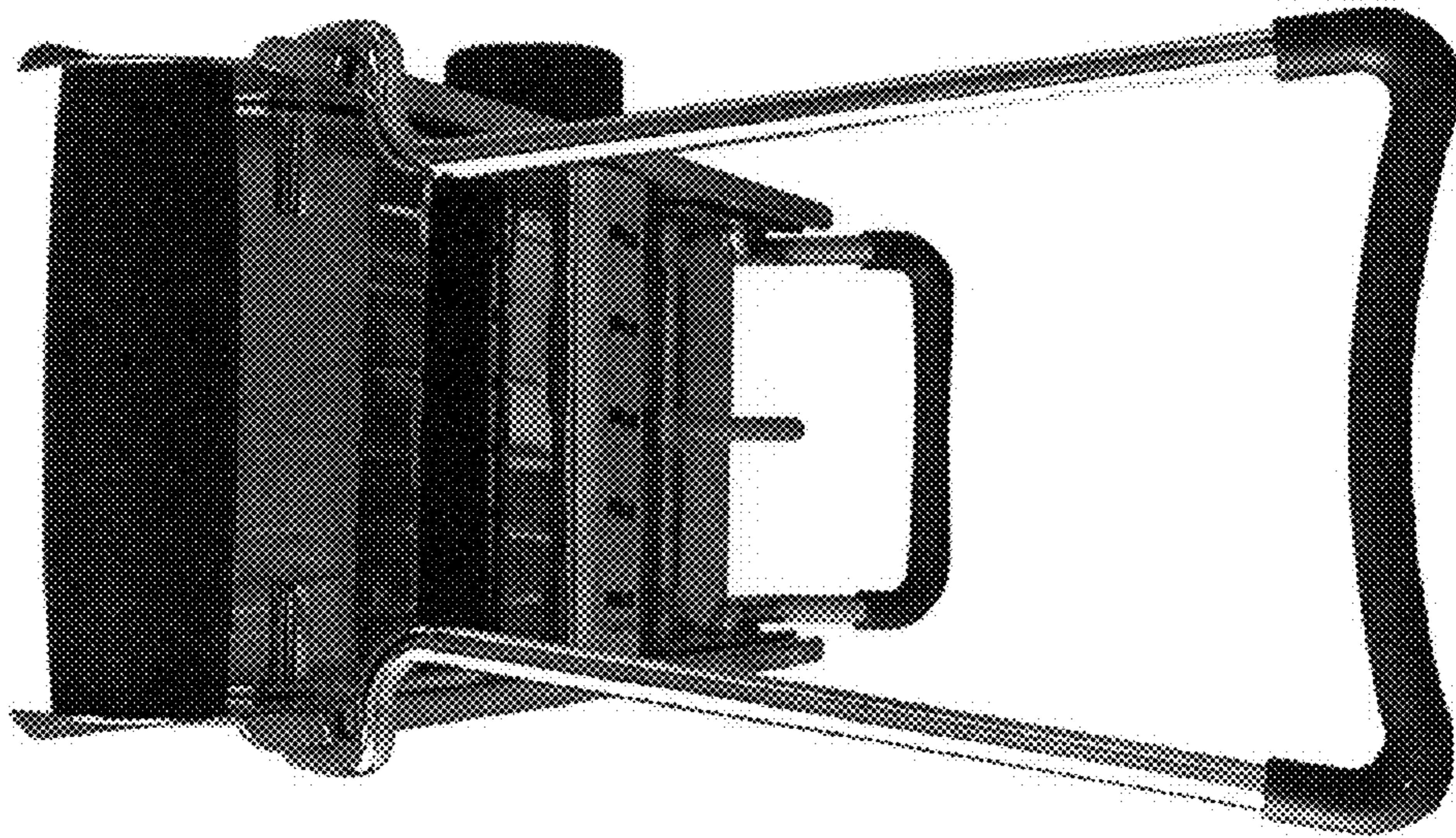


FIG. 4

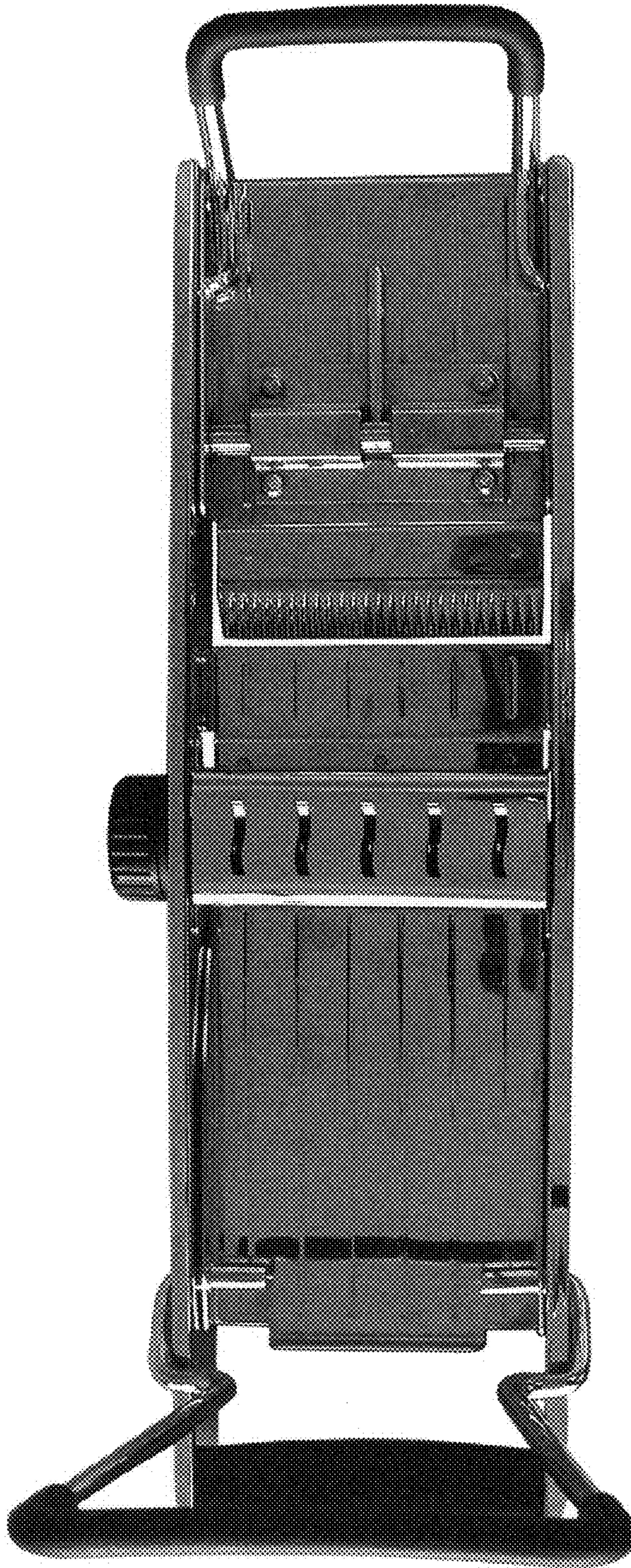


FIG. 5

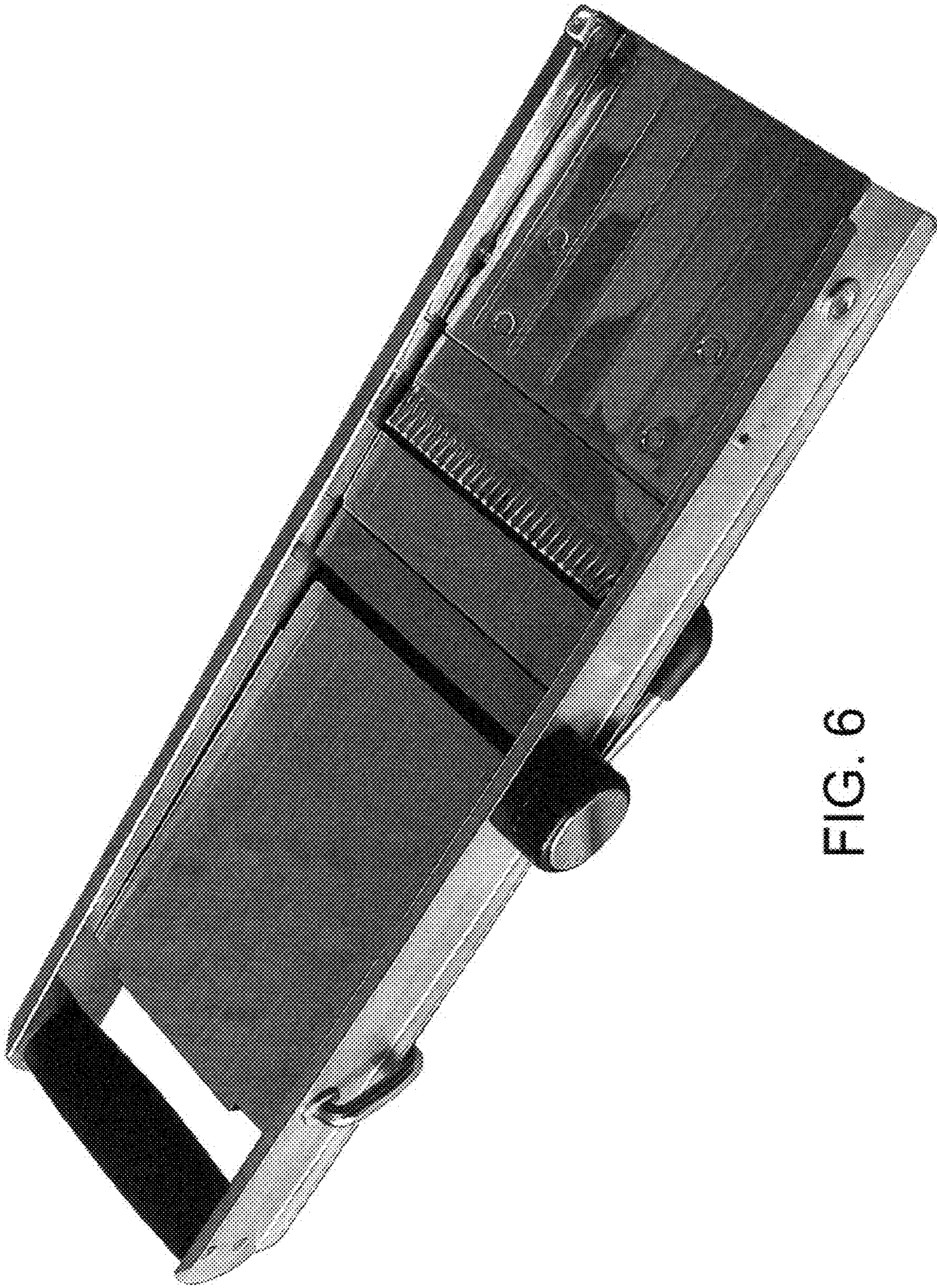


FIG. 6

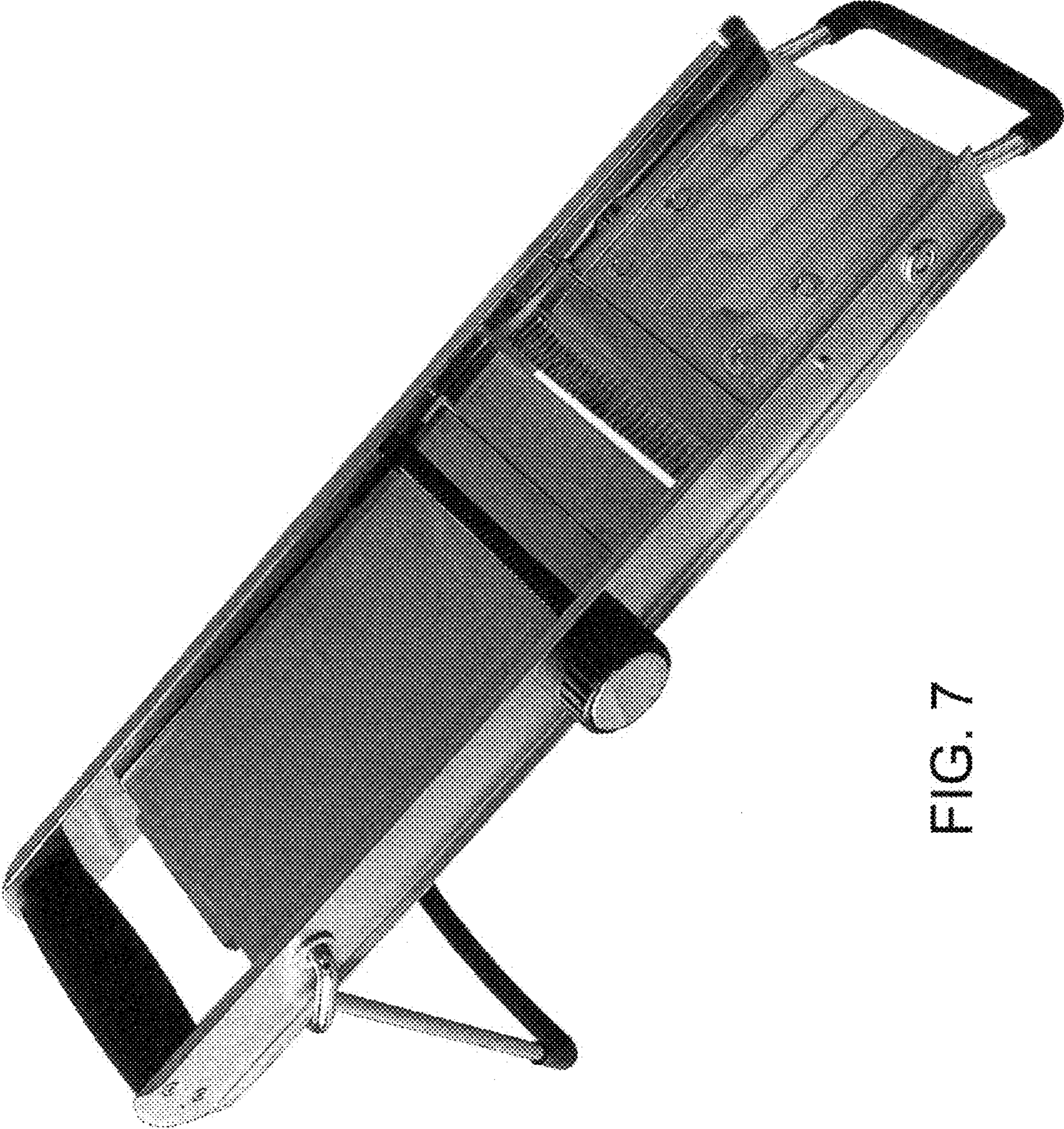


FIG. 7

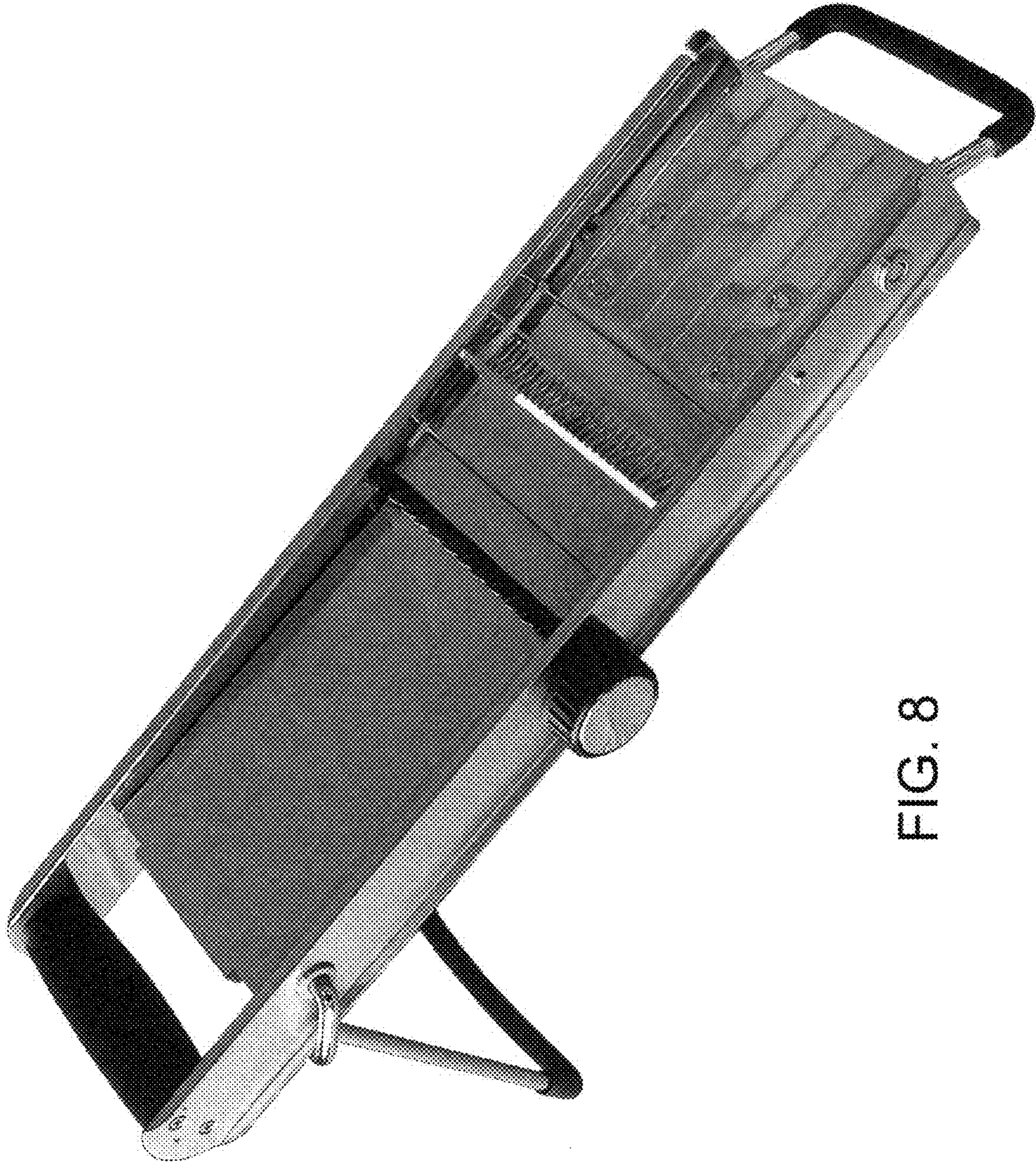


FIG. 8