



US00D559634S

(12) **United States Design Patent**  
**Chan**

(10) **Patent No.:** **US D559,634 S**  
(45) **Date of Patent:** **\*\* Jan. 15, 2008**

(54) **CONTAINER FOR FAT SEPARATOR**

(75) Inventor: **David Chan**, Scarborough (CA)

(73) Assignee: **Browne & Co.**, Markham, Ontario (CA)

(\*\*) Term: **14 Years**

(21) Appl. No.: **29/272,486**

(22) Filed: **Feb. 9, 2007**

(51) **LOC (8) Cl.** ..... **07-04**

(52) **U.S. Cl.** ..... **D7/668; D10/46.2**

(58) **Field of Classification Search** ..... D7/368,  
D7/668, 533; D10/46.2, 46.3; 222/564;  
99/495; 210/800, 514, 510, 533, 534; 73/426-429  
See application file for complete search history.

(56) **References Cited**

**U.S. PATENT DOCUMENTS**

2,583,335	A *	1/1952	Jepson	.....	210/533
3,248,016	A *	4/1966	Dahl et al.	.....	222/567
D250,244	S *	11/1978	Antolino	.....	D7/668
D252,068	S *	6/1979	Lovely	.....	D7/668
D255,862	S *	7/1980	Ferrin	.....	D7/533
D268,158	S *	3/1983	Doyel	.....	D10/46.3
D473,148	S *	4/2003	Kleckauskas et al.	.....	D10/46.2
6,769,302	B1 *	8/2004	King et al.	.....	73/427

**OTHER PUBLICATIONS**

Chef's Catalog, p. 72, OXO measuring cup.\*

Chrf's Catalog, p. 76, Gravy Separator.\*

\* cited by examiner

*Primary Examiner*—Terry A Wallace

(74) *Attorney, Agent, or Firm*—Gowling Lafleur Henderson LLP

(57) **CLAIM**

The ornamental design for a container for a fat separator, as shown and described.

**DESCRIPTION**

FIG. 1 is a front perspective view of the container showing one aspect of my new design;

FIG. 2 is a back perspective view thereof;

FIG. 3 is a side view thereof;

FIG. 4 is a top view thereof;

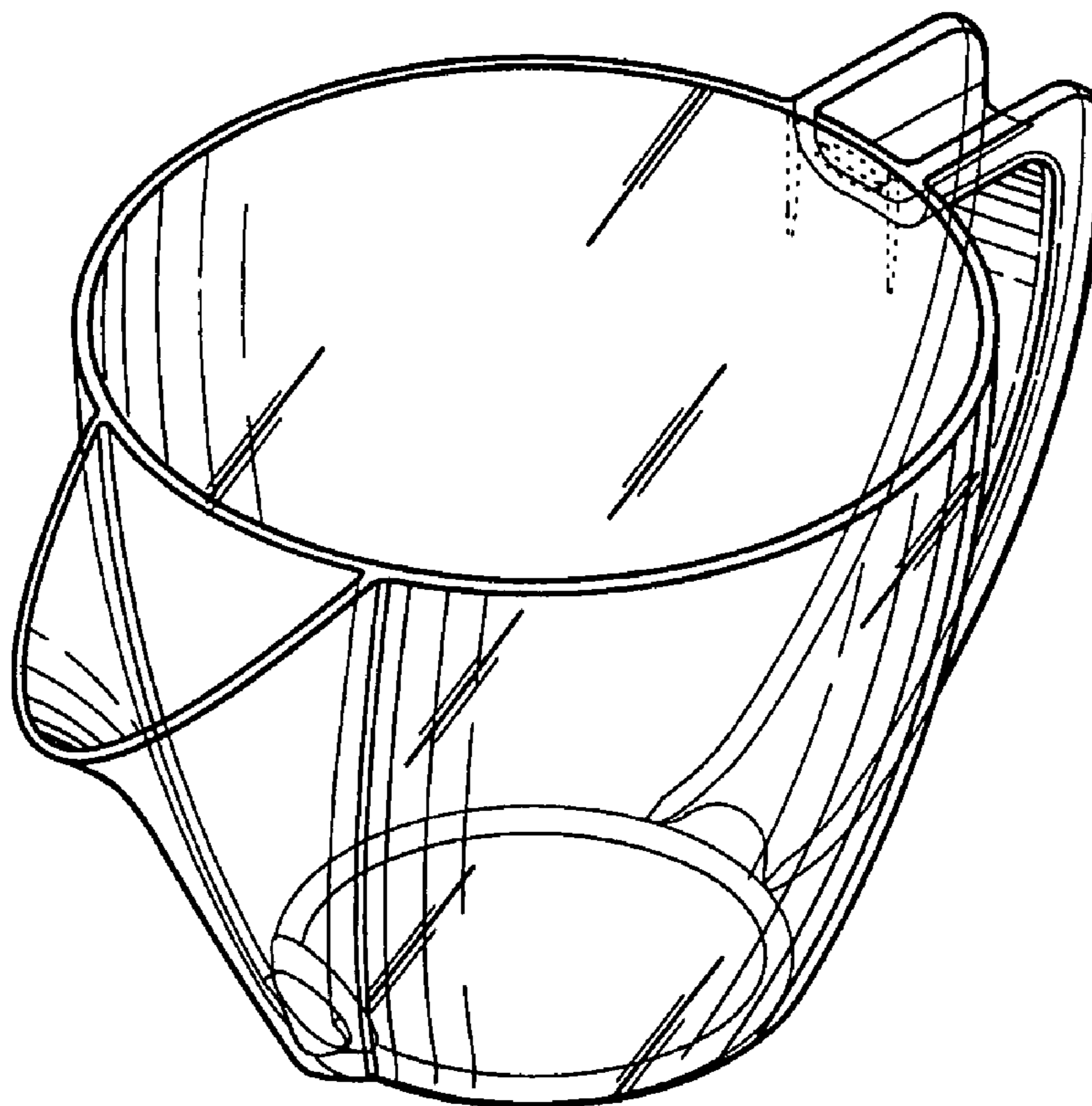
FIG. 5 is a back view thereof;

FIG. 6 is a front view thereof; and,

FIG. 7 is a perspective view of the container with a fat separator cover shown in broken lines and placed on the container.

The broken lines are for illustrative purposes only and form no part of the claimed design.

**1 Claim, 4 Drawing Sheets**



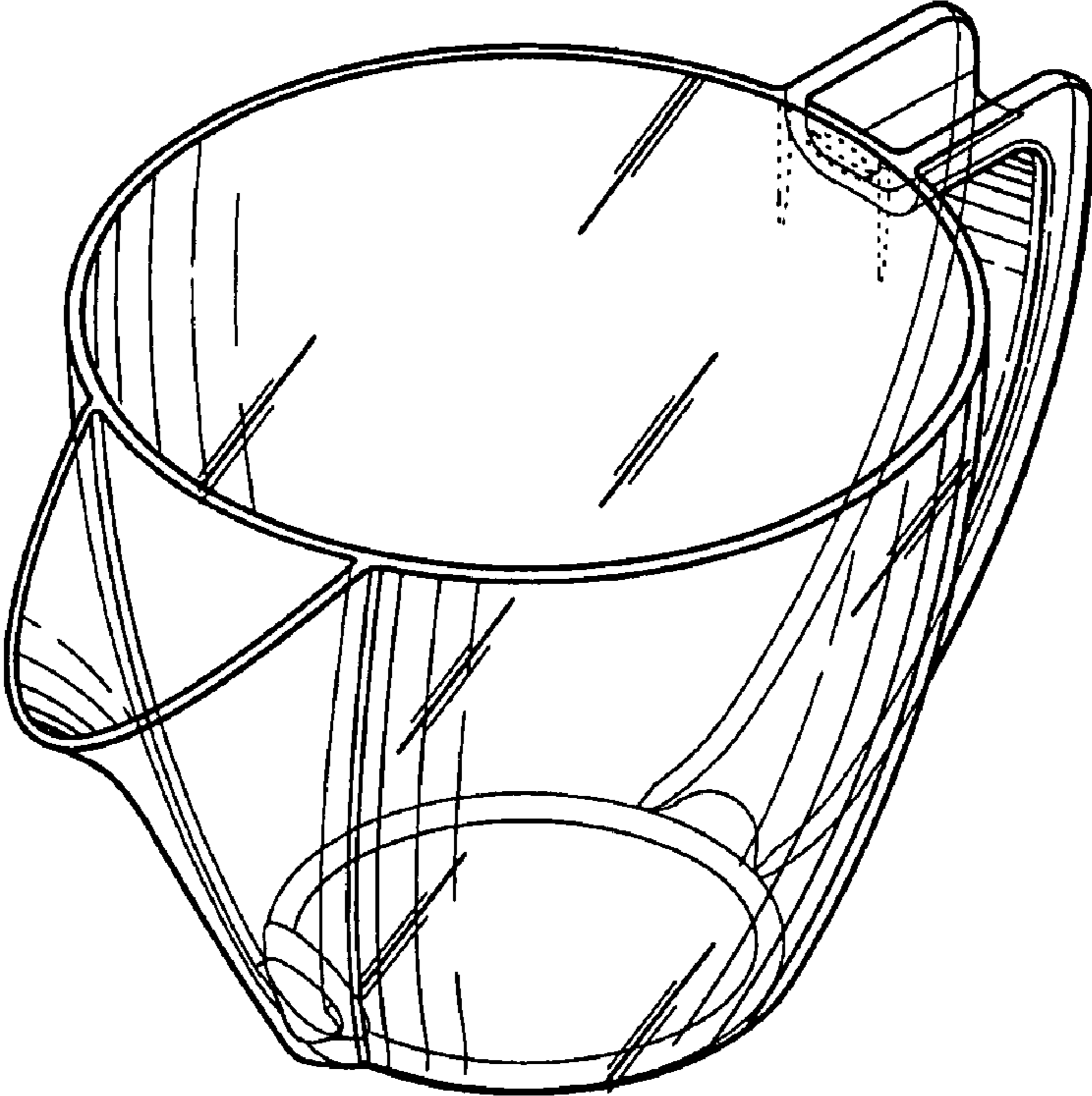


FIG. 1

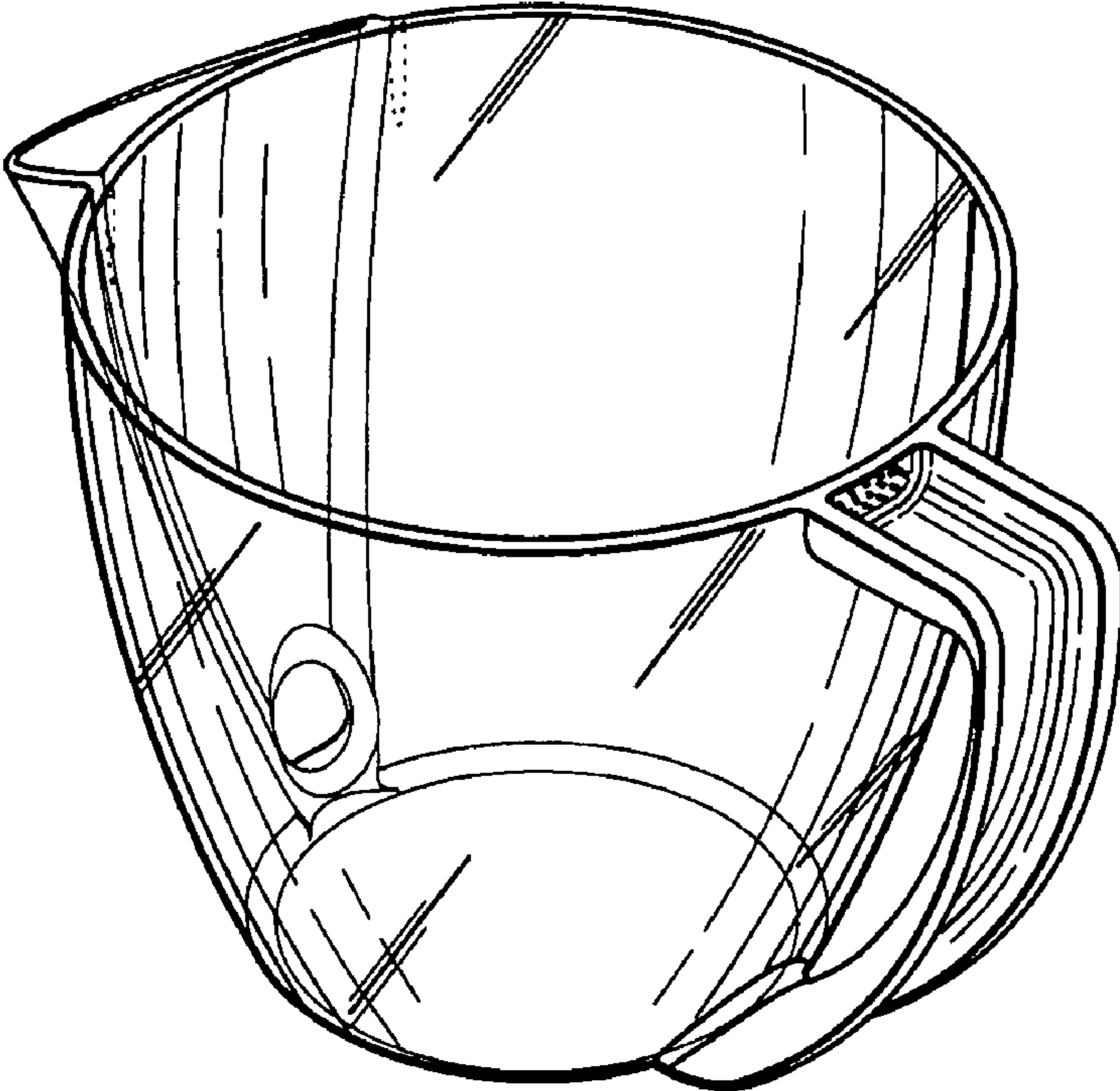


FIG. 2

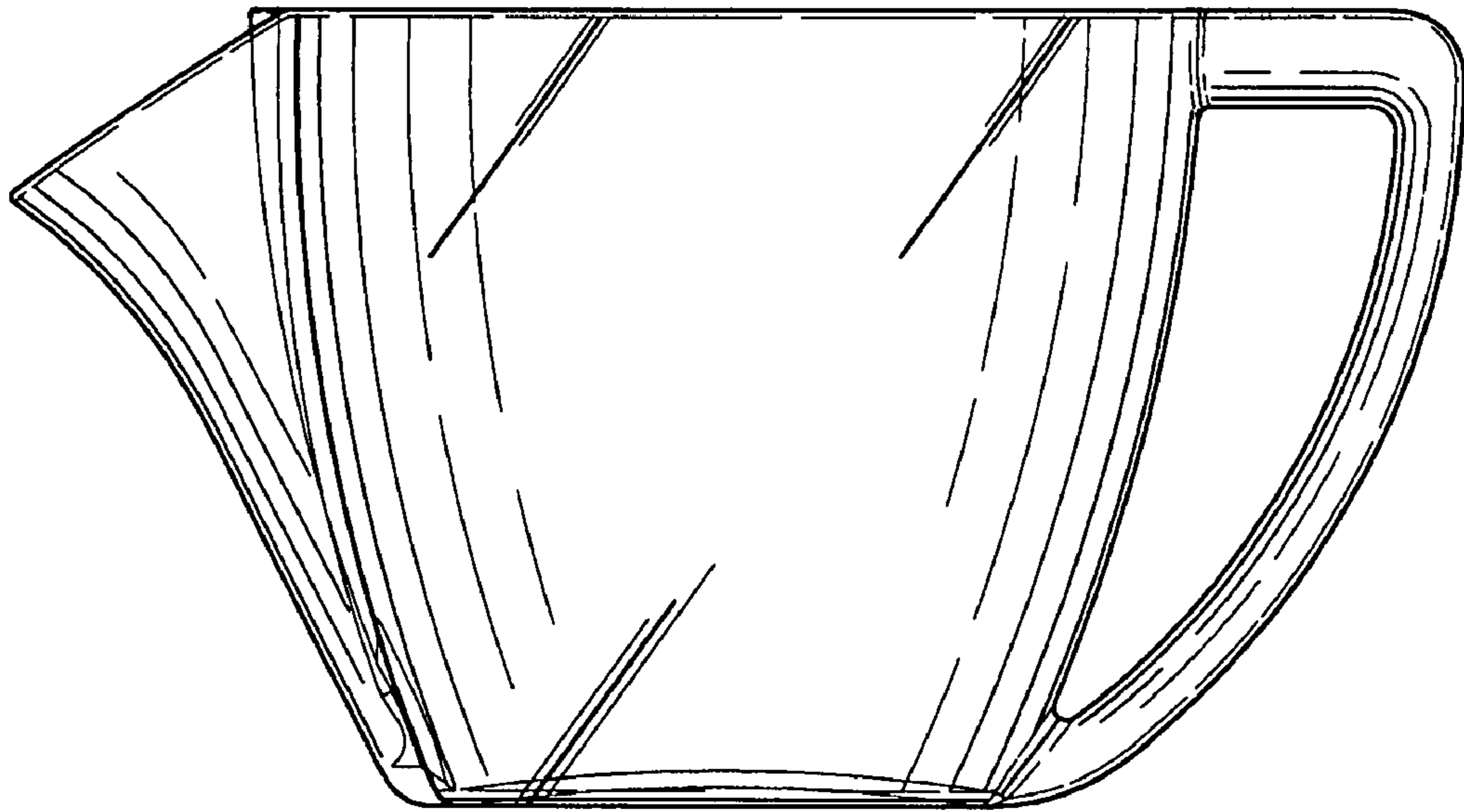


FIG.3

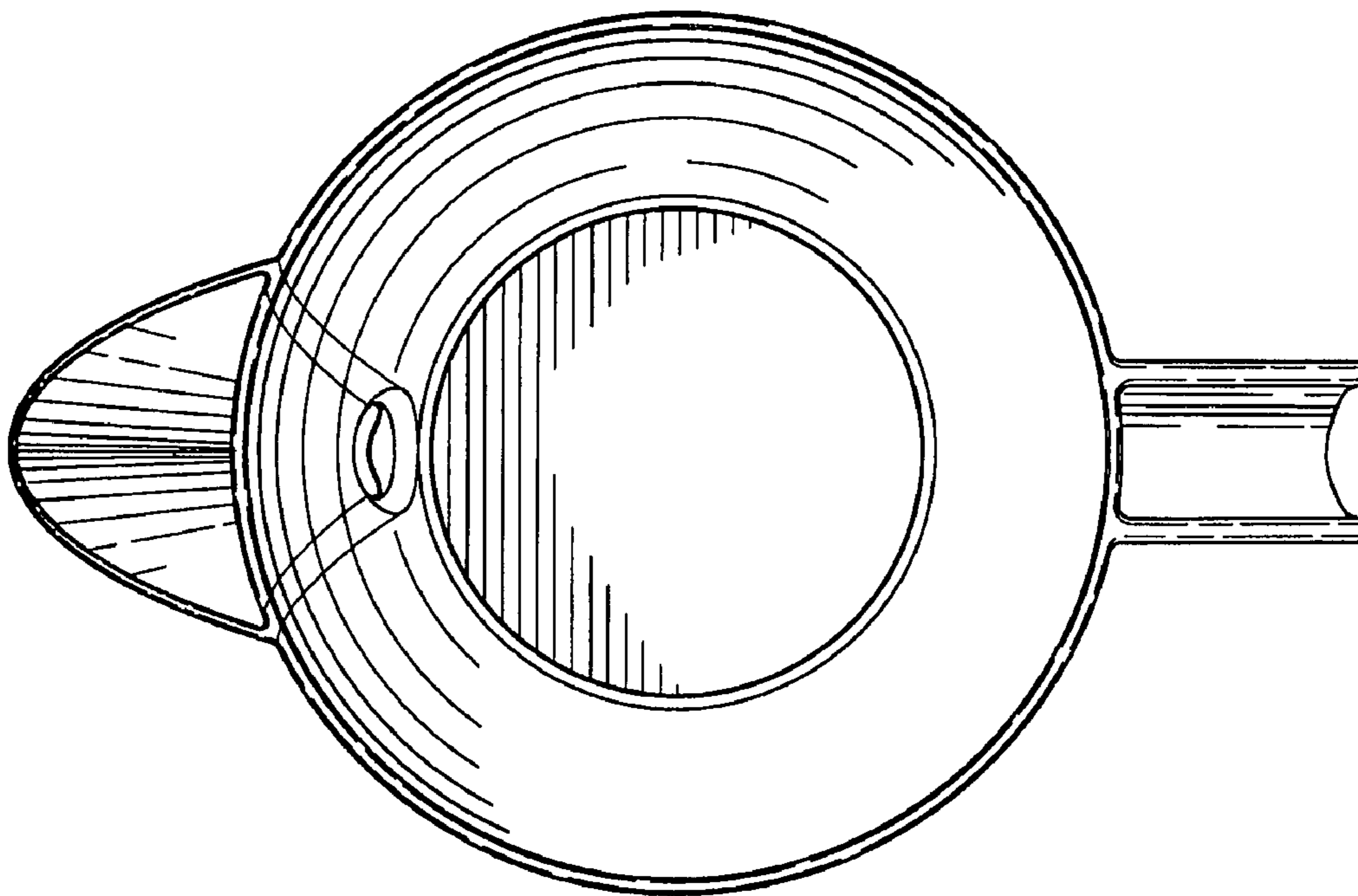


FIG.4

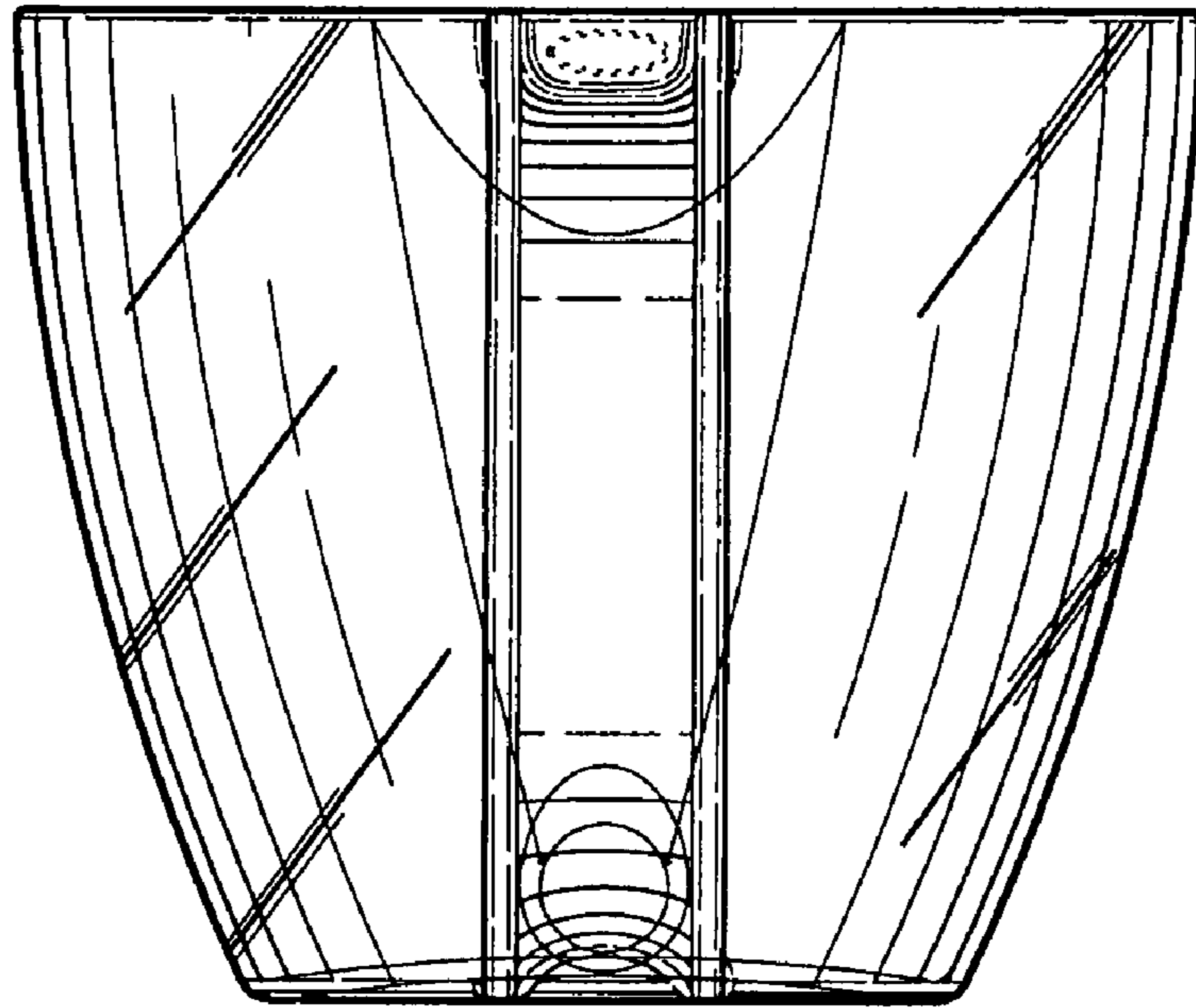


FIG. 5

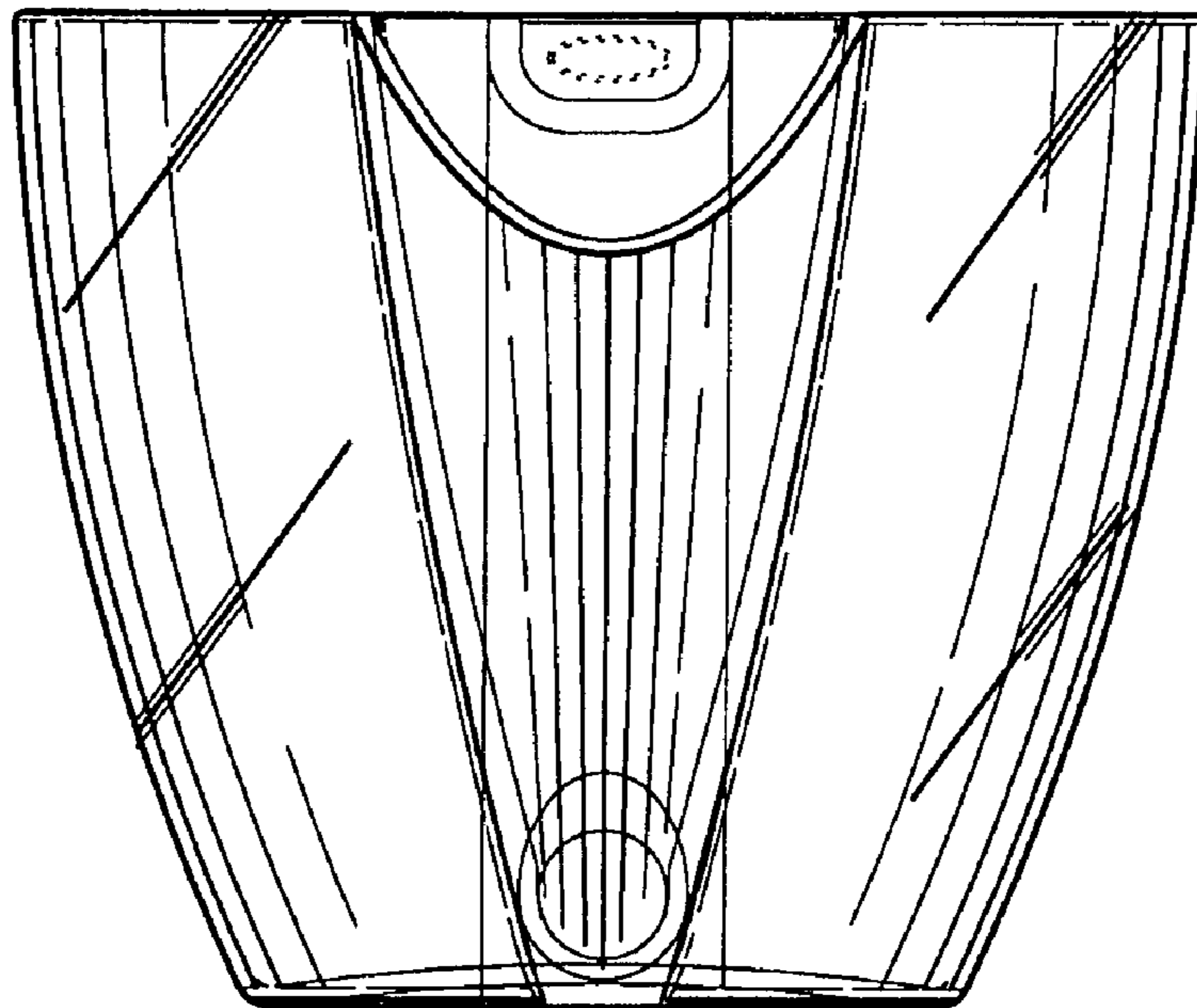


FIG. 6

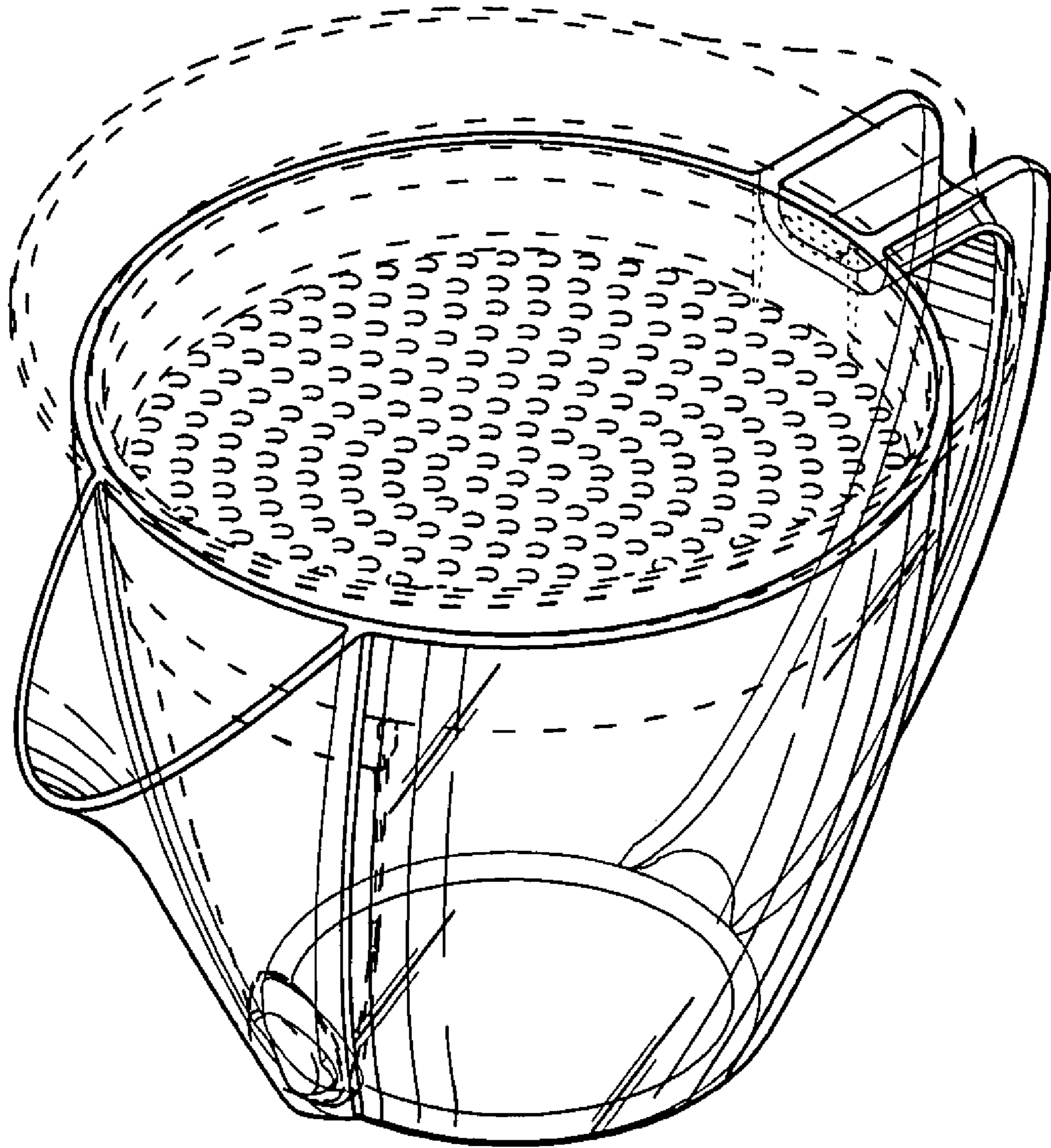


FIG.7