



US00D559624S

(12) **United States Design Patent**  
**Carreno**

(10) **Patent No.:** **US D559,624 S**

(45) **Date of Patent:** **\*\* Jan. 15, 2008**

(54) **SIPPY CUP WITH HANDLES**

(75) Inventor: **Alfredo Carreno**, Aurora, IL (US)

(73) Assignee: **Thermos L.L.C.**, Rolling Meadows, IL (US)

(\*\*) Term: **14 Years**

(21) Appl. No.: **29/259,808**

(22) Filed: **May 16, 2006**

(51) **LOC (8) Cl.** ..... **07-01**

(52) **U.S. Cl.** ..... **D7/534; D7/510; D7/511**

(58) **Field of Classification Search** ..... D7/510,  
D7/511, 534, 620; D3/202, 215; 220/710.5,  
220/603, 715, 711; 215/396, 398, 11.6; D24/197  
See application file for complete search history.

(56) **References Cited**

**U.S. PATENT DOCUMENTS**

D315,213 S *	3/1991	Ohnuki	.....	D24/197
D368,529 S *	4/1996	Allegre	.....	D24/197
D425,994 S *	5/2000	Hakim	.....	D24/197
D454,642 S *	3/2002	Hakim	.....	D24/197
D460,322 S *	7/2002	Orr et al.	.....	D7/510
D476,849 S *	7/2003	Randolph	.....	D7/510
D495,558 S *	9/2004	Tollman	.....	D7/510
D504,049 S *	4/2005	Morano et al.	.....	D7/534
D513,932 S *	1/2006	De Oliveira	.....	D7/534

\* cited by examiner

*Primary Examiner*—M. N. Pandozzi

(74) *Attorney, Agent, or Firm*—Wood, Phillips, Katz, Clark & Mortimer

(57) **CLAIM**

The ornamental design of a sippy cup with handles, as shown and described.

**DESCRIPTION**

FIG. 1 is a perspective view from above of my sippy cup with handles design;

FIG. 2 is a perspective view from below of my sippy cup with handles design;

FIG. 3 is a front elevation of my sippy cup with handles design;

FIG. 4 is a rear elevation of my sippy cup with handles design;

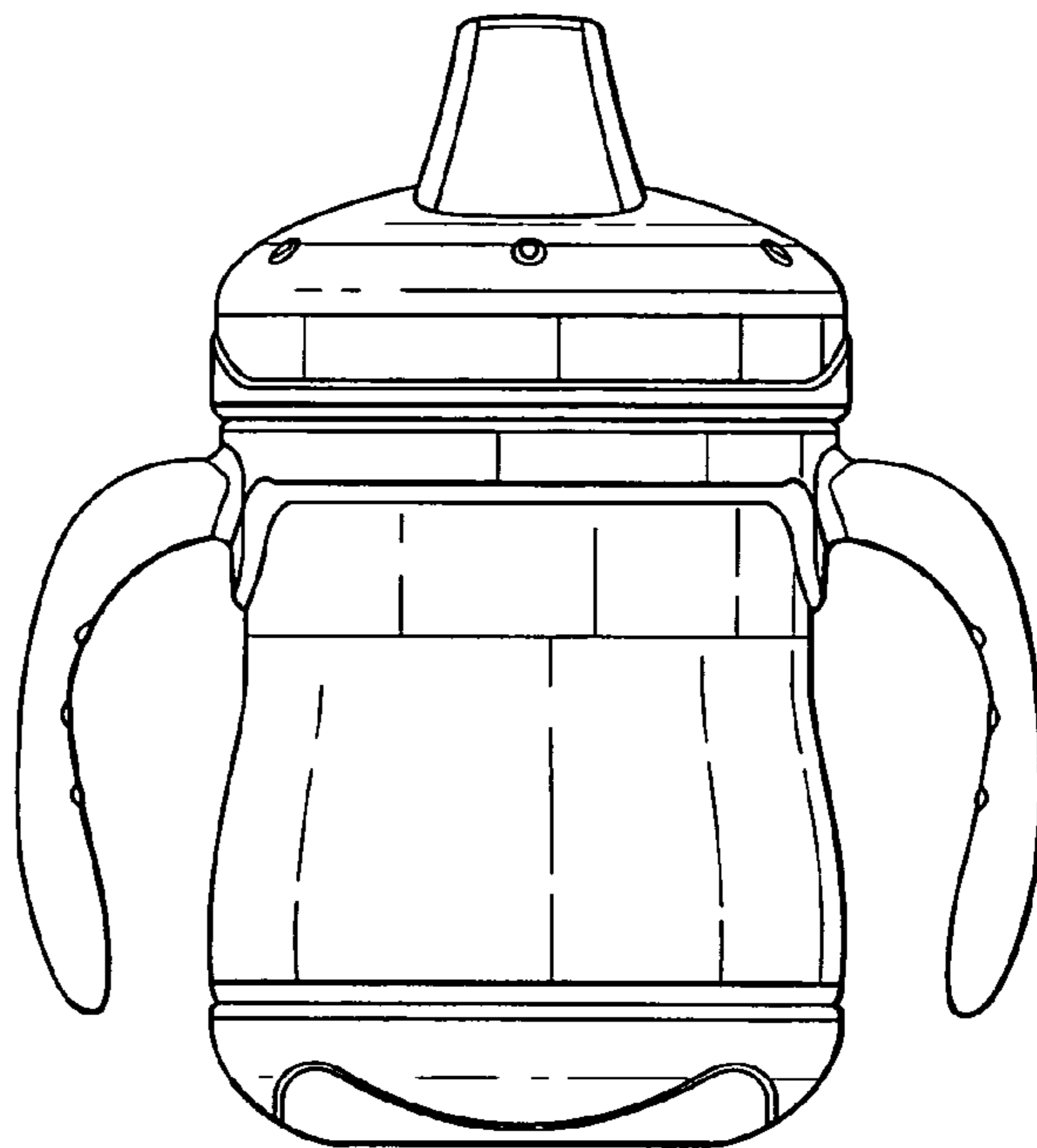
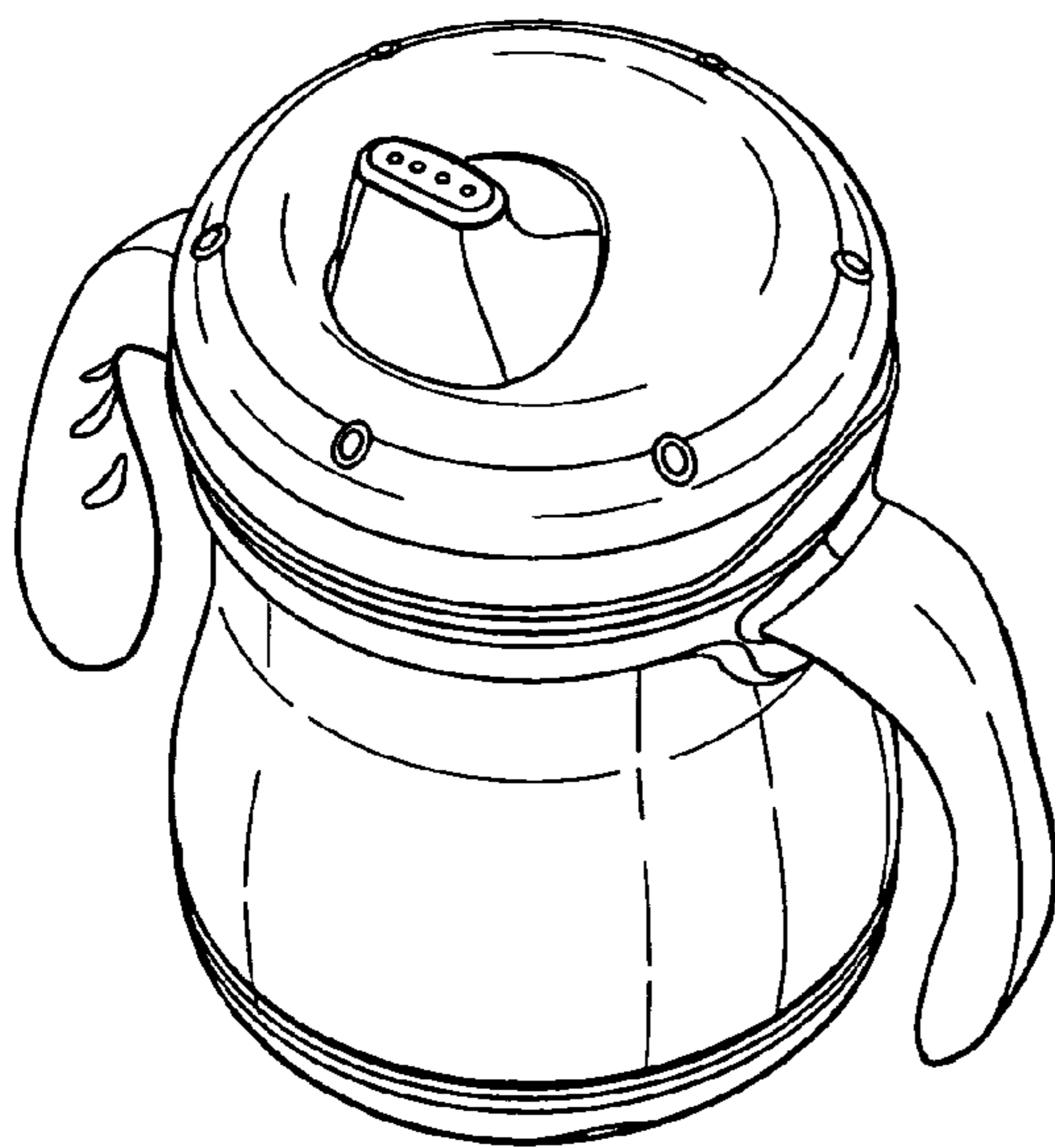
FIG. 5 is a right side elevation of my sippy cup with handles design, with the left side elevation being a mirror image of FIG. 5;

FIG. 6 is a top plan view of my sippy cup with handles design; and,

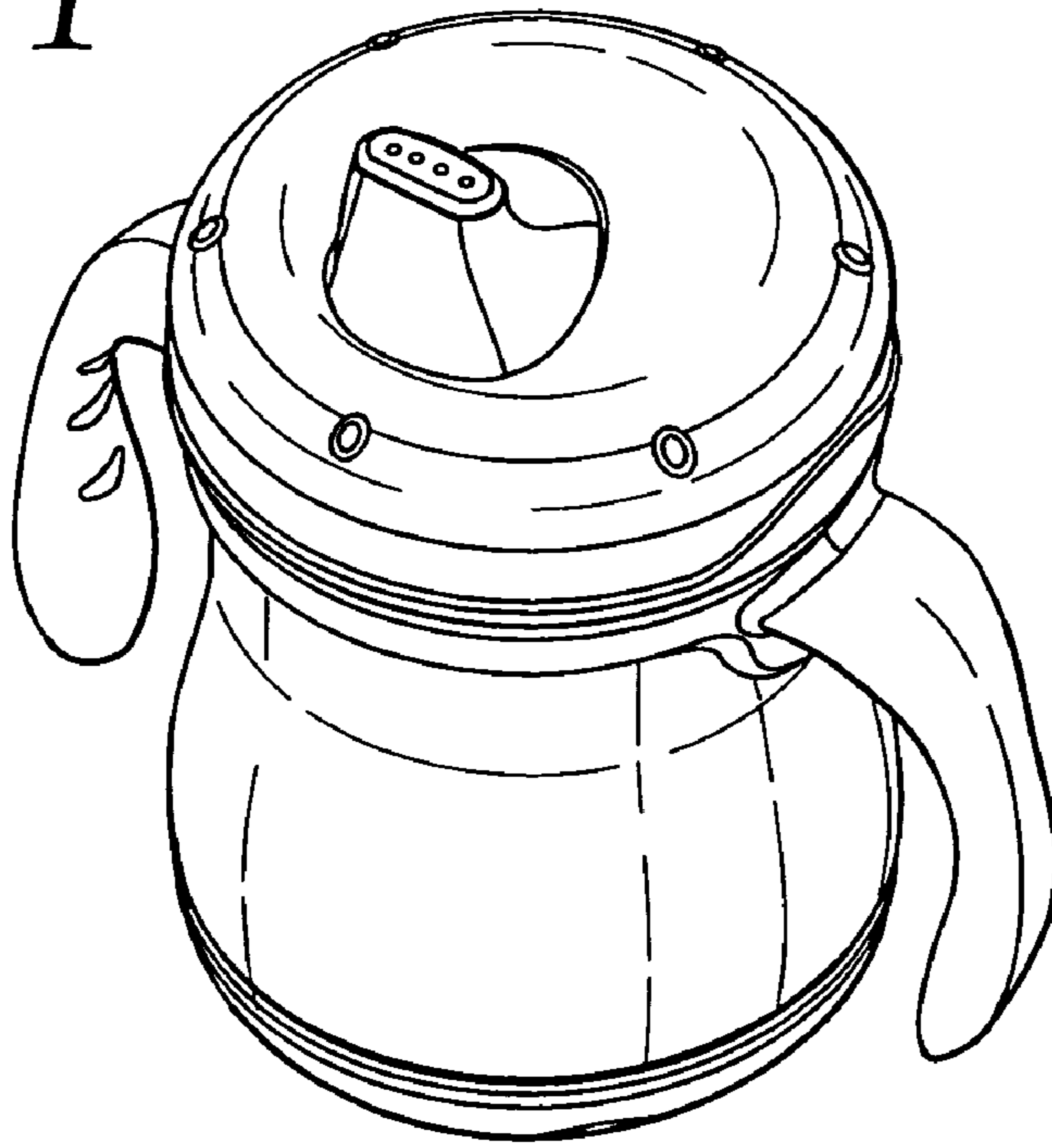
FIG. 7 is a bottom view of my sippy cup with handles design.

The broken lines in the drawings are included for the purpose of illustration and form no part of the claimed design.

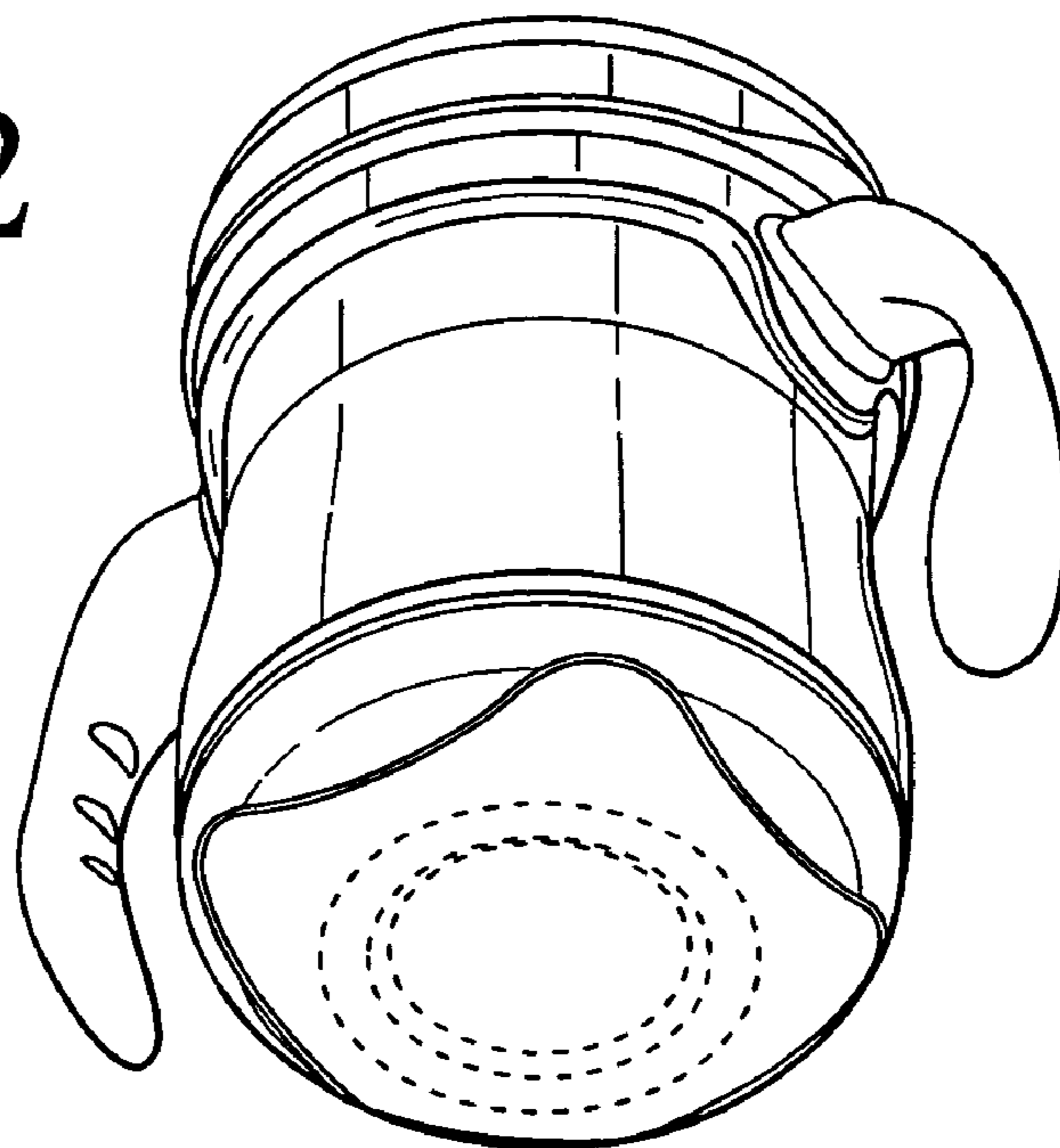
**1 Claim, 4 Drawing Sheets**



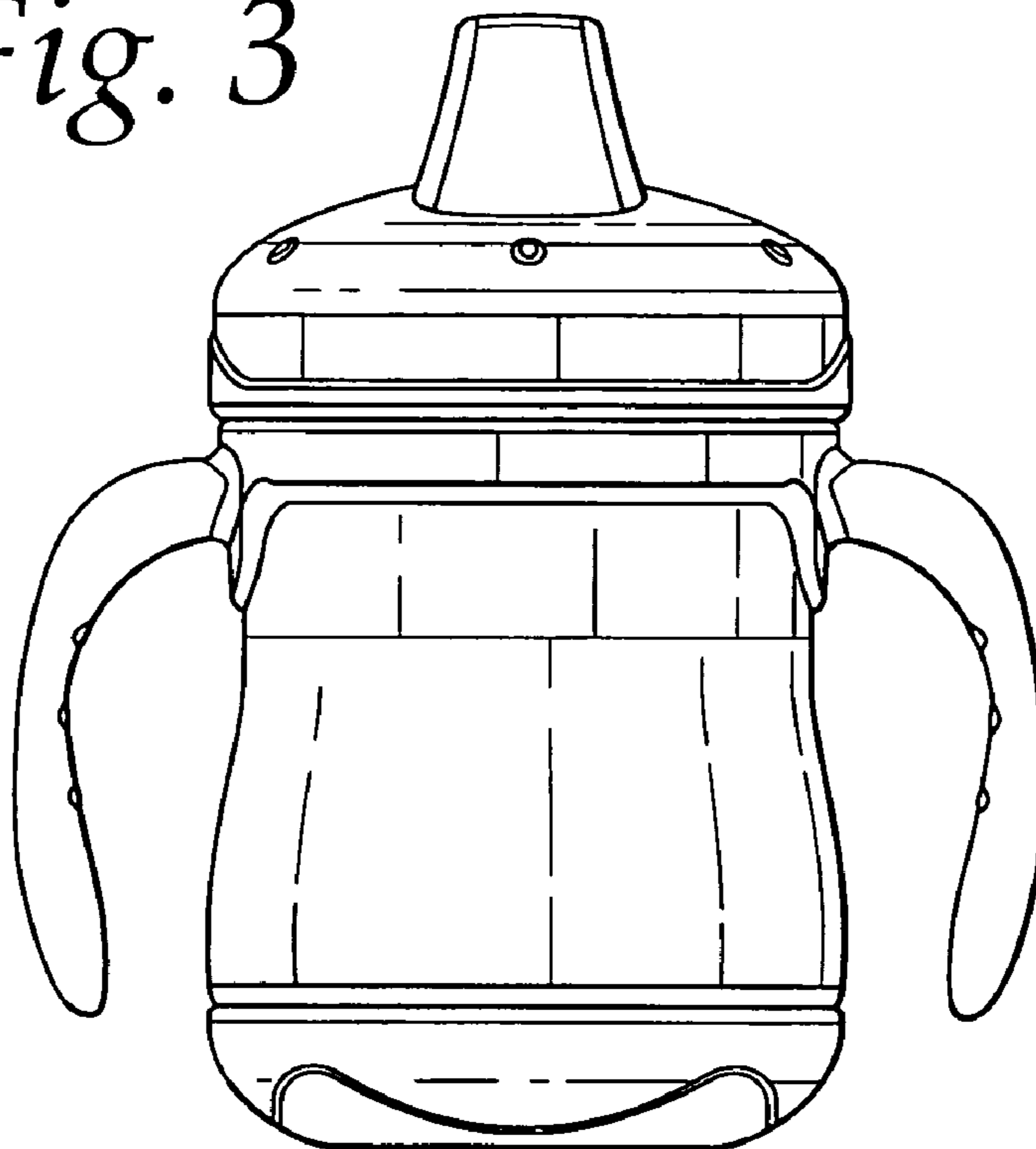
*Fig. 1*



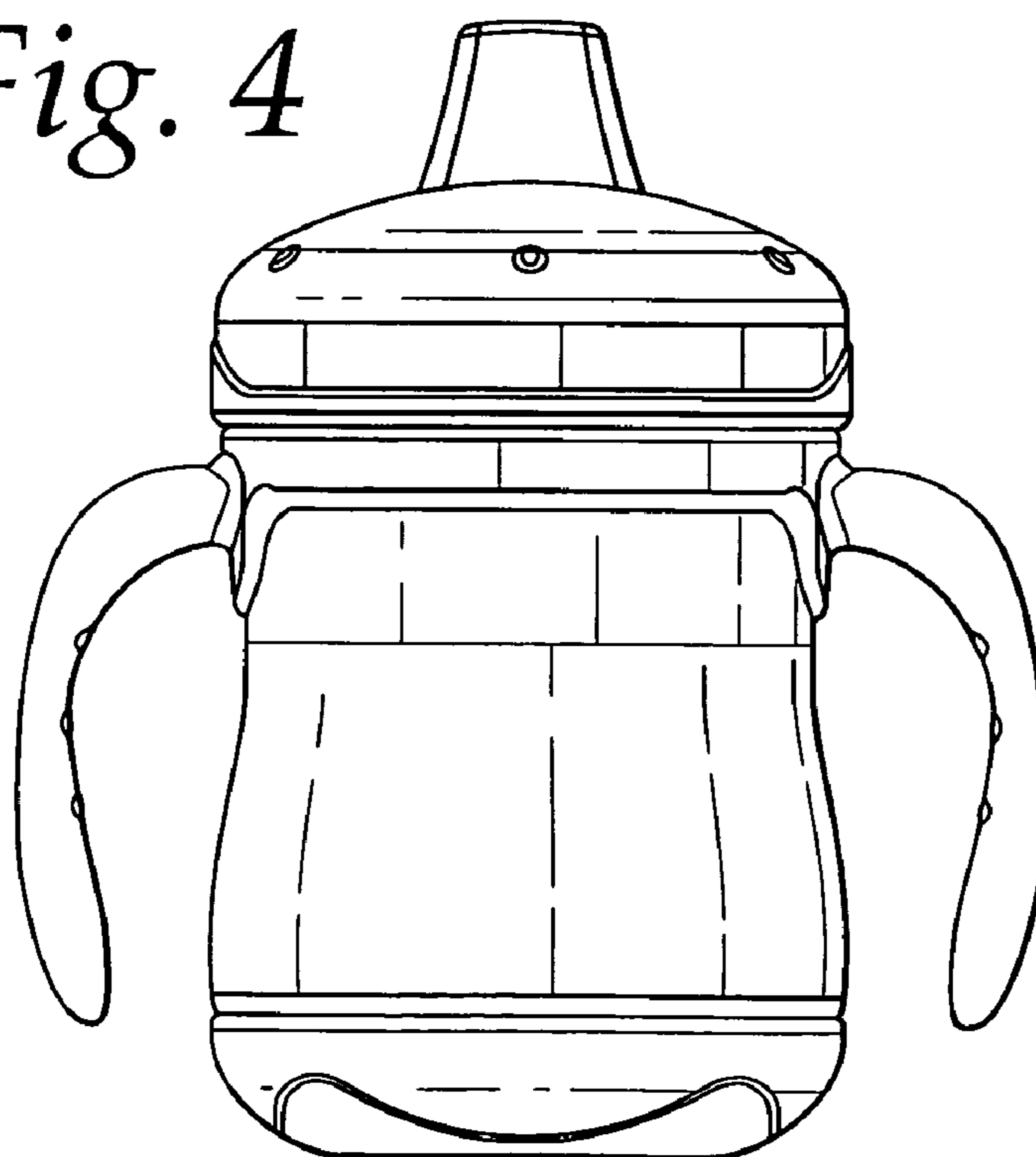
*Fig. 2*



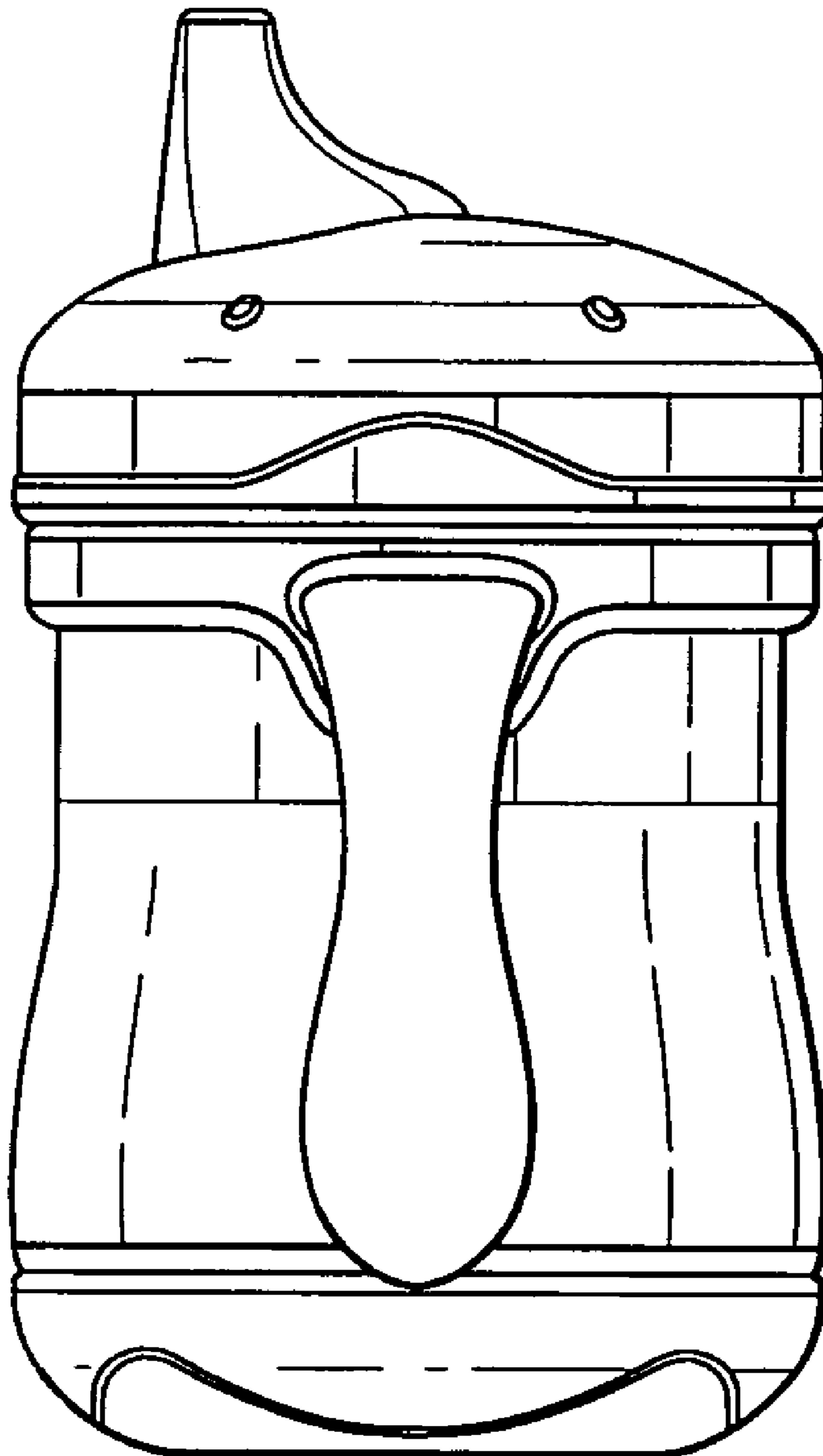
*Fig. 3*



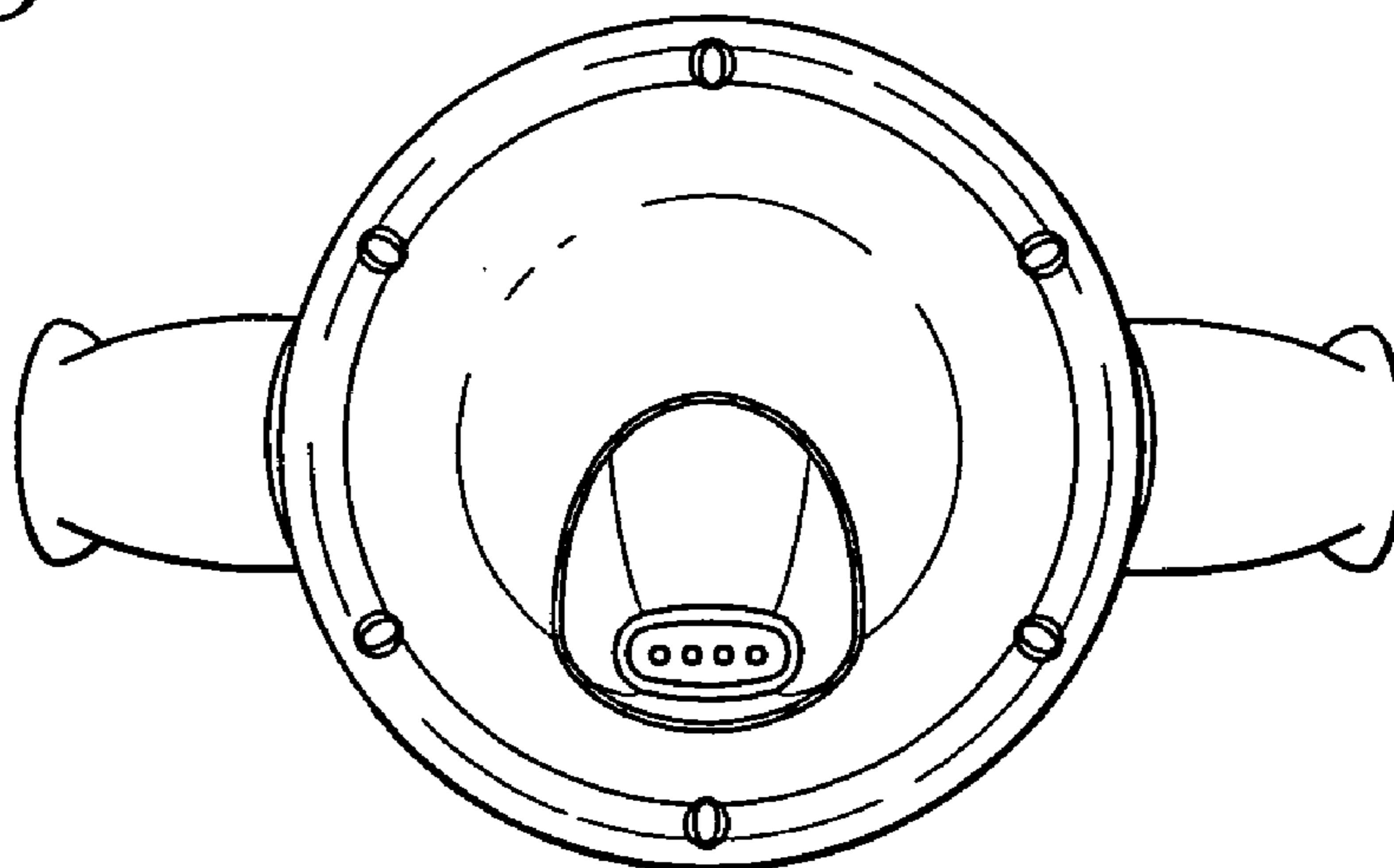
*Fig. 4*



*Fig. 5*



*Fig. 6*



*Fig. 7*

