



US00D559623S

(12) **United States Design Patent**
Schellenberg

(10) **Patent No.:** **US D559,623 S**

(45) **Date of Patent:** **** Jan. 15, 2008**

- (54) **CUP**
- (75) Inventor: **Walter Schellenberg**, Diepoldsau (CH)
- (73) Assignee: **Rundpack AG**, Diepoldsau (CH)
- (**) Term: **14 Years**
- (21) Appl. No.: **29/219,421**
- (22) Filed: **Dec. 16, 2004**

(30) **Foreign Application Priority Data**

Jun. 17, 2004 (AT) MU 1069/2004

- (51) **LOC (8) Cl.** **07-01**
- (52) **U.S. Cl.** **D7/511; D7/510**
- (58) **Field of Classification Search** D7/300,
D7/316, 317, 509, 538, 601, 602, 510, 511;
222/465.1, 494, 517, 512; D9/428, 429,
D9/416; 215/10

See application file for complete search history.

(56) **References Cited**

U.S. PATENT DOCUMENTS

- 1,529,360 A * 3/1925 Johnson 222/108
- 1,925,913 A * 9/1933 Wood 222/571
- 2,765,639 A * 10/1956 Vestal 220/713
- D194,744 S * 3/1963 Pezely, Jr. D24/224
- 3,081,010 A * 3/1963 Tupper 222/512
- D209,073 S * 10/1967 Martin D7/317
- 3,421,681 A * 1/1969 Frank 229/123.2
- 3,858,767 A * 1/1975 Borin 222/494
- 3,861,565 A * 1/1975 Rickmeier, Jr. 222/131
- D247,547 S * 3/1978 Tuzee D7/317
- D254,239 S * 2/1980 Morin D7/317
- 4,776,956 A * 10/1988 Gannaway 210/282
- 4,832,212 A * 5/1989 Askinazi 215/10
- D337,690 S * 7/1993 Bunn et al. D7/317
- D339,023 S * 9/1993 De Coster D7/318
- D367,996 S * 3/1996 Rausch D7/602

- D382,763 S * 8/1997 Jeppesen et al. D7/316
- D397,905 S * 9/1998 Hsu D7/317
- D407,597 S * 4/1999 Diehl D7/317
- D407,641 S * 4/1999 Richardson et al. D9/428
- D424,875 S * 5/2000 Husted D7/510
- D426,463 S * 6/2000 Landis, II D9/777
- D436,802 S * 1/2001 Kaposi et al. D7/510
- D439,789 S * 4/2001 Kaposi et al. D7/316
- D453,446 S * 2/2002 Bodum D7/510
- D458,081 S * 6/2002 Bodum D7/510
- D471,444 S * 3/2003 Kim et al. D9/416
- D474,367 S * 5/2003 Turchi et al. D7/316
- D475,622 S * 6/2003 Sagel D9/429
- D480,268 S * 10/2003 Laib D7/510
- 6,739,109 B1 * 5/2004 Fan 53/329.3
- 6,755,328 B1 * 6/2004 Franco 222/465.1
- D495,186 S * 8/2004 Poupel et al. D7/300.1
- 6,854,615 B2 * 2/2005 von Ronn et al. 220/253
- 7,175,042 B2 * 2/2007 Durdon 220/254.3

* cited by examiner

Primary Examiner—M. N. Pandozzi
(74) *Attorney, Agent, or Firm*—Collard & Roe, P.C.

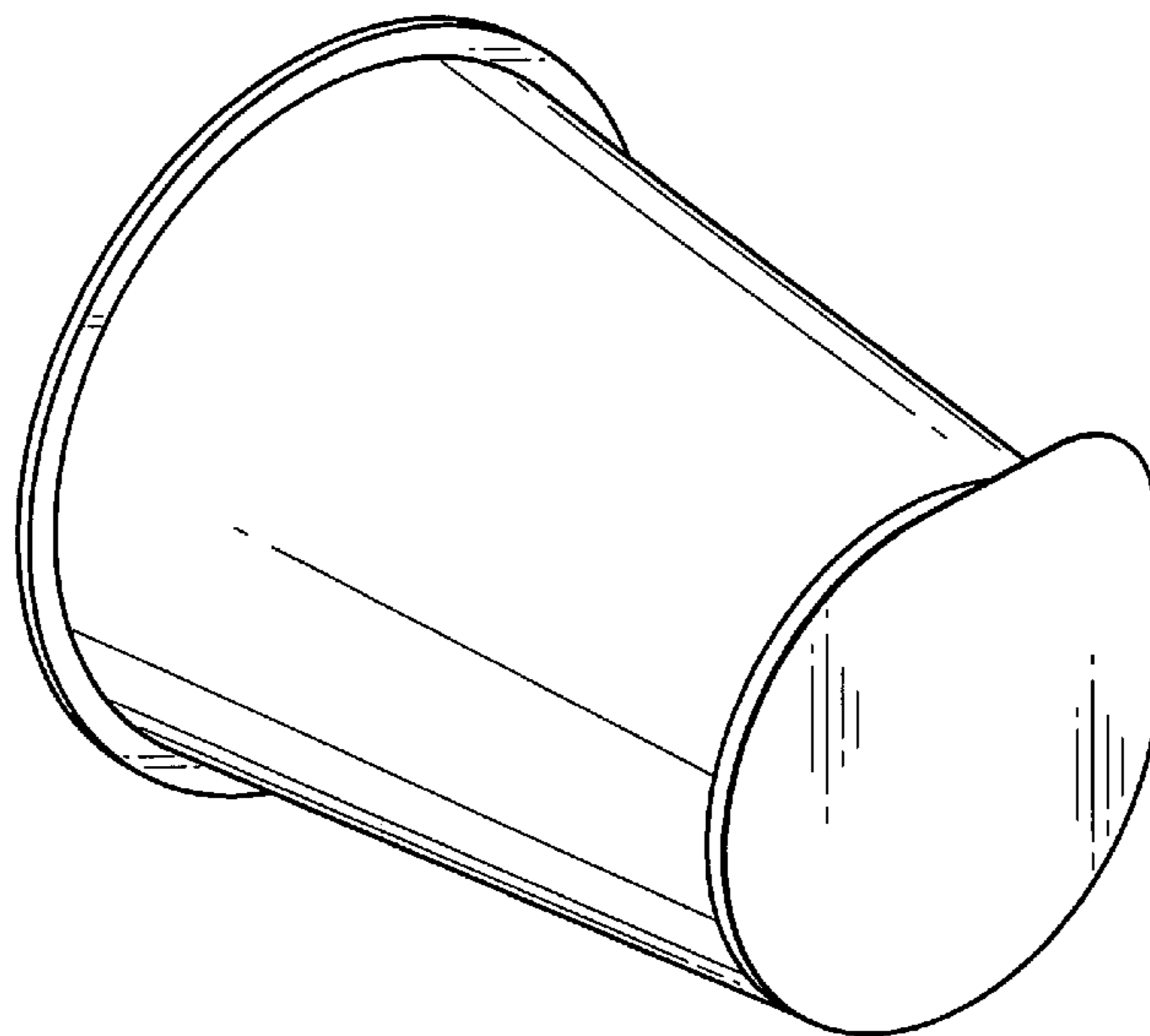
(57) **CLAIM**

The ornamental design for a cup, as shown and described.

DESCRIPTION

FIG. 1 shows a side perspective view of my design for a cup;
 FIG. 2 shows an opposite side perspective view thereof;
 FIG. 3 shows a side view thereof;
 FIG. 4 shows a side view rotated 90° from the view in FIG. 3 thereof;
 FIG. 5 shows another side view thereof, rotated 180° from the view in FIG. 4;
 FIG. 6 shows a top view thereof; and,
 FIG. 7 shows a bottom view thereof.

1 Claim, 3 Drawing Sheets



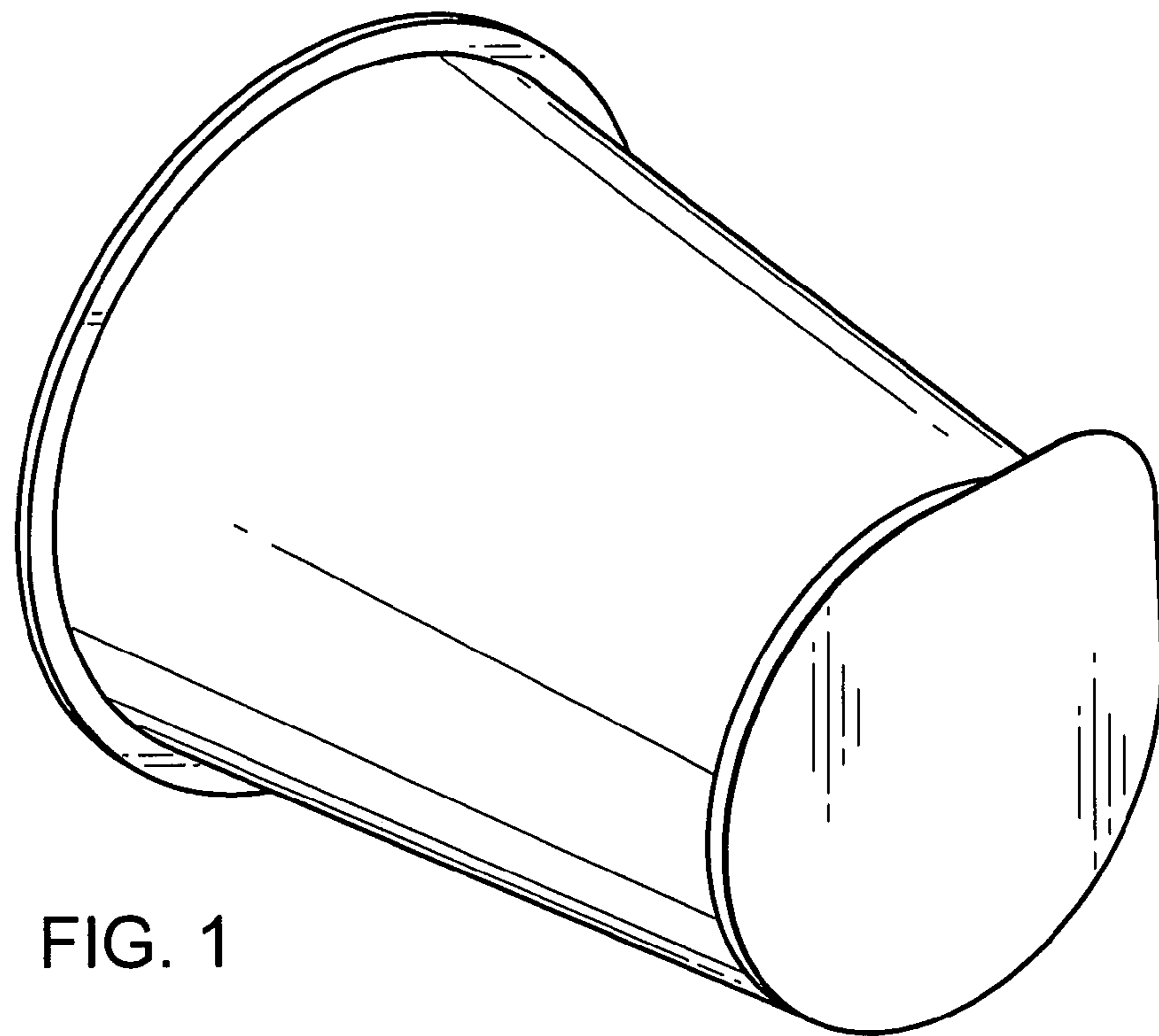


FIG. 1

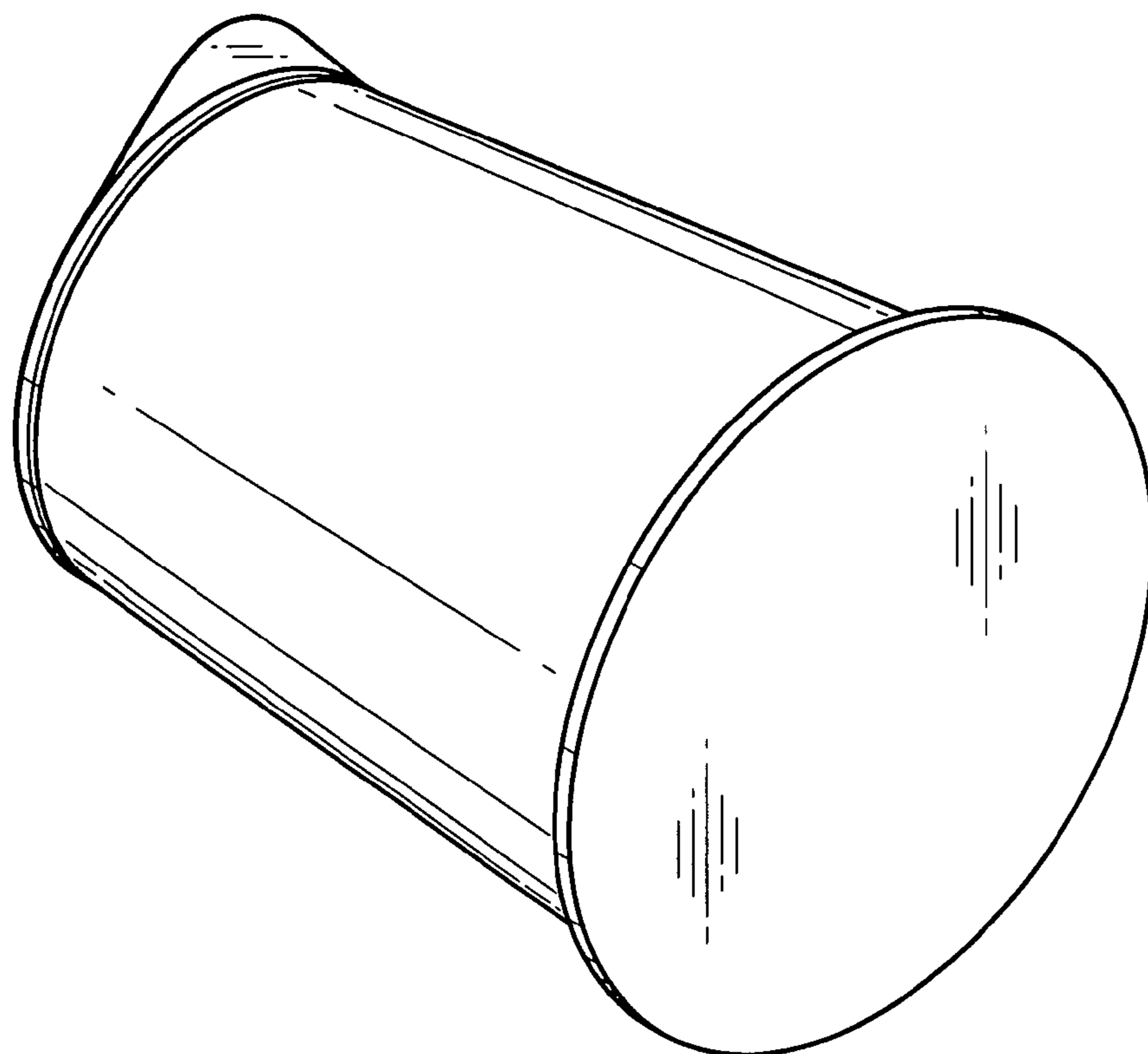


FIG. 2

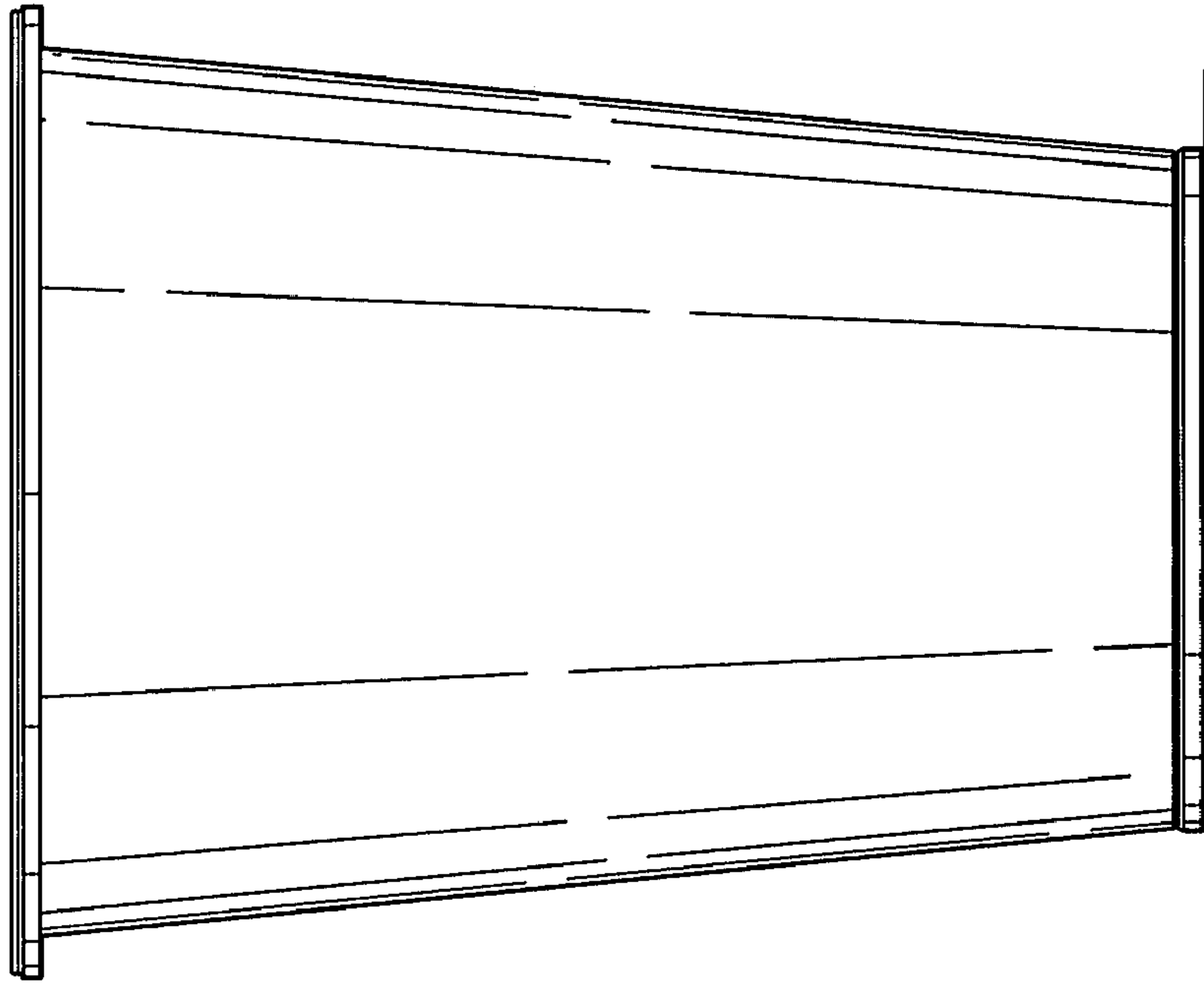


FIG. 3

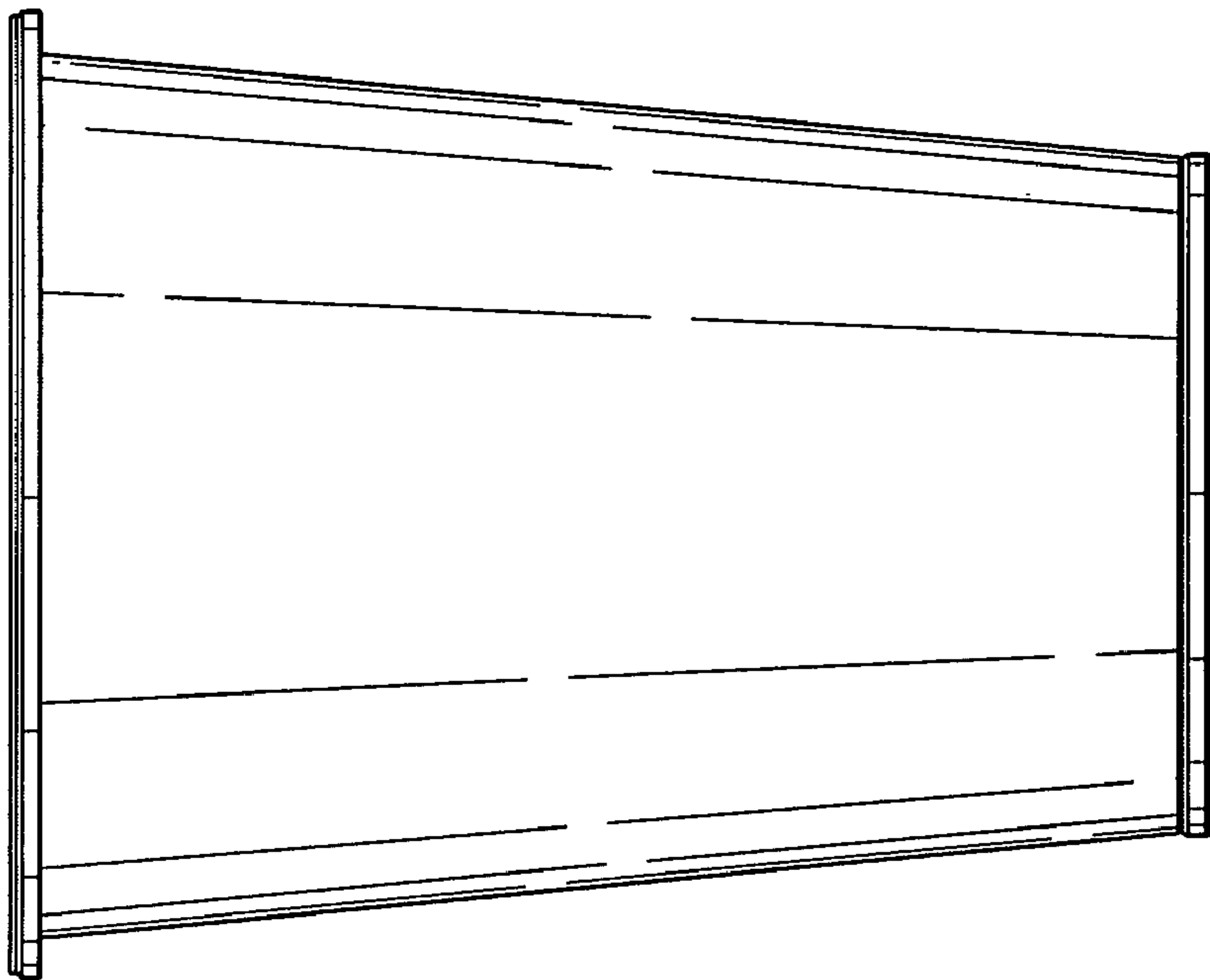


FIG. 4

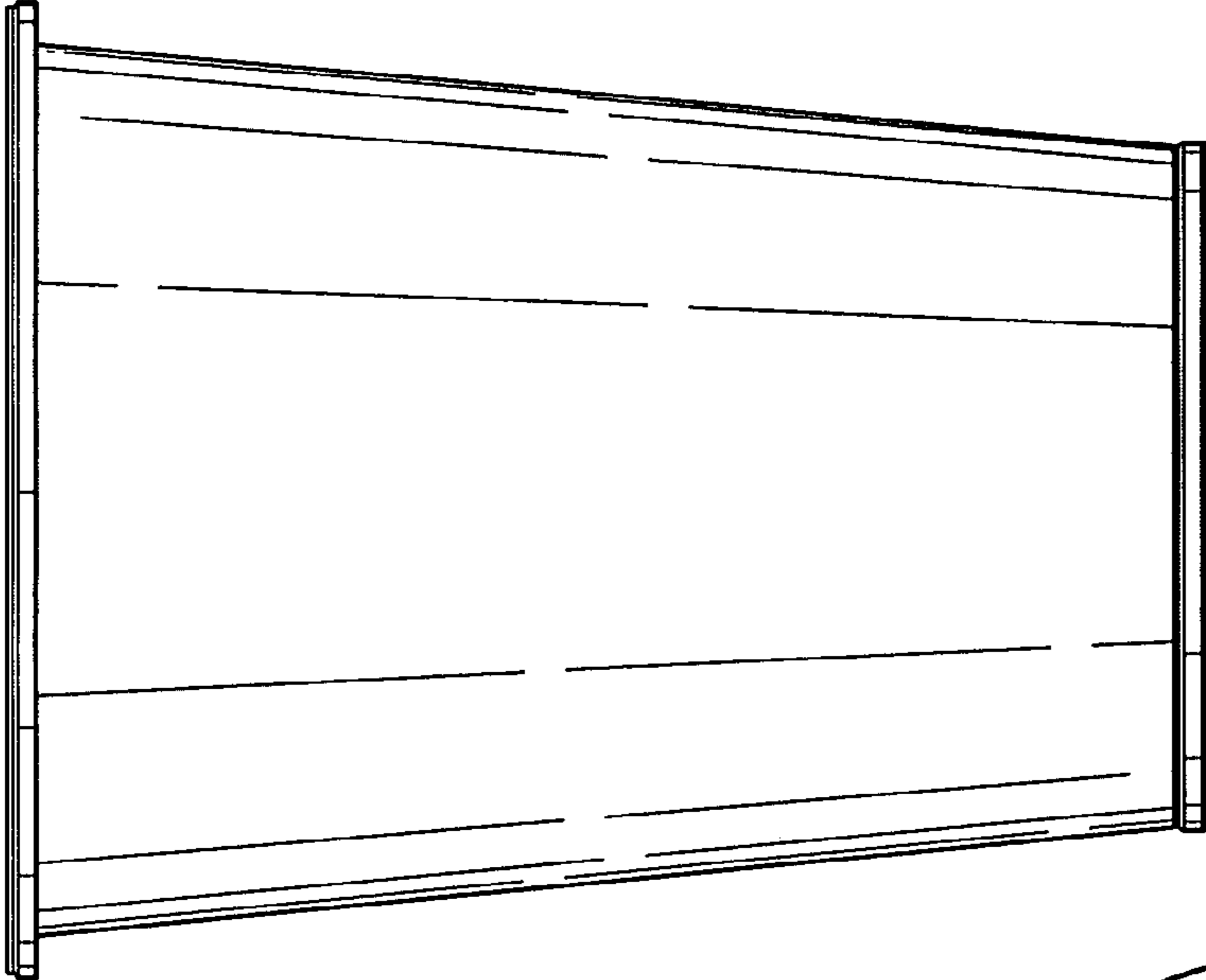


FIG. 5

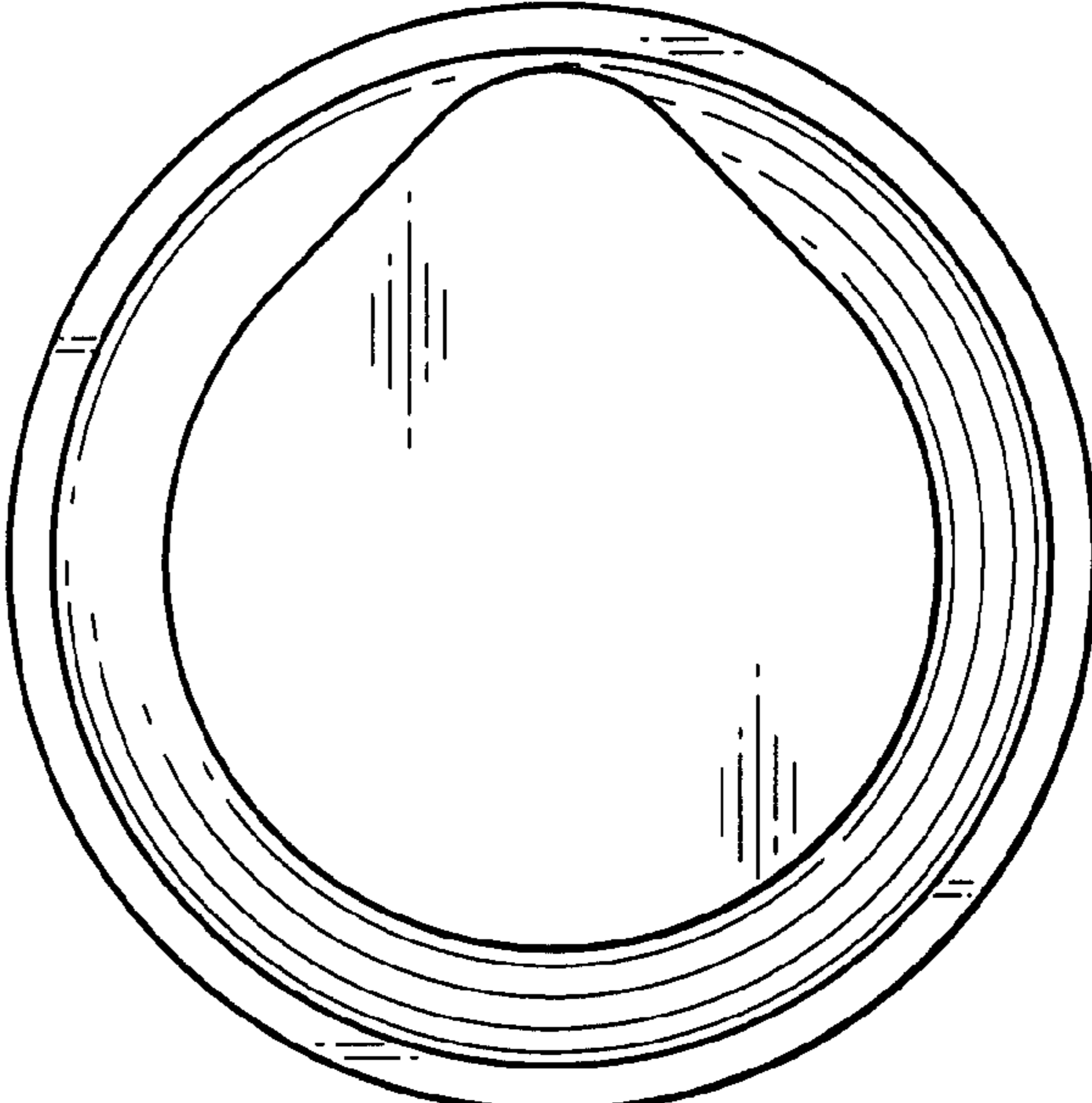


FIG. 6

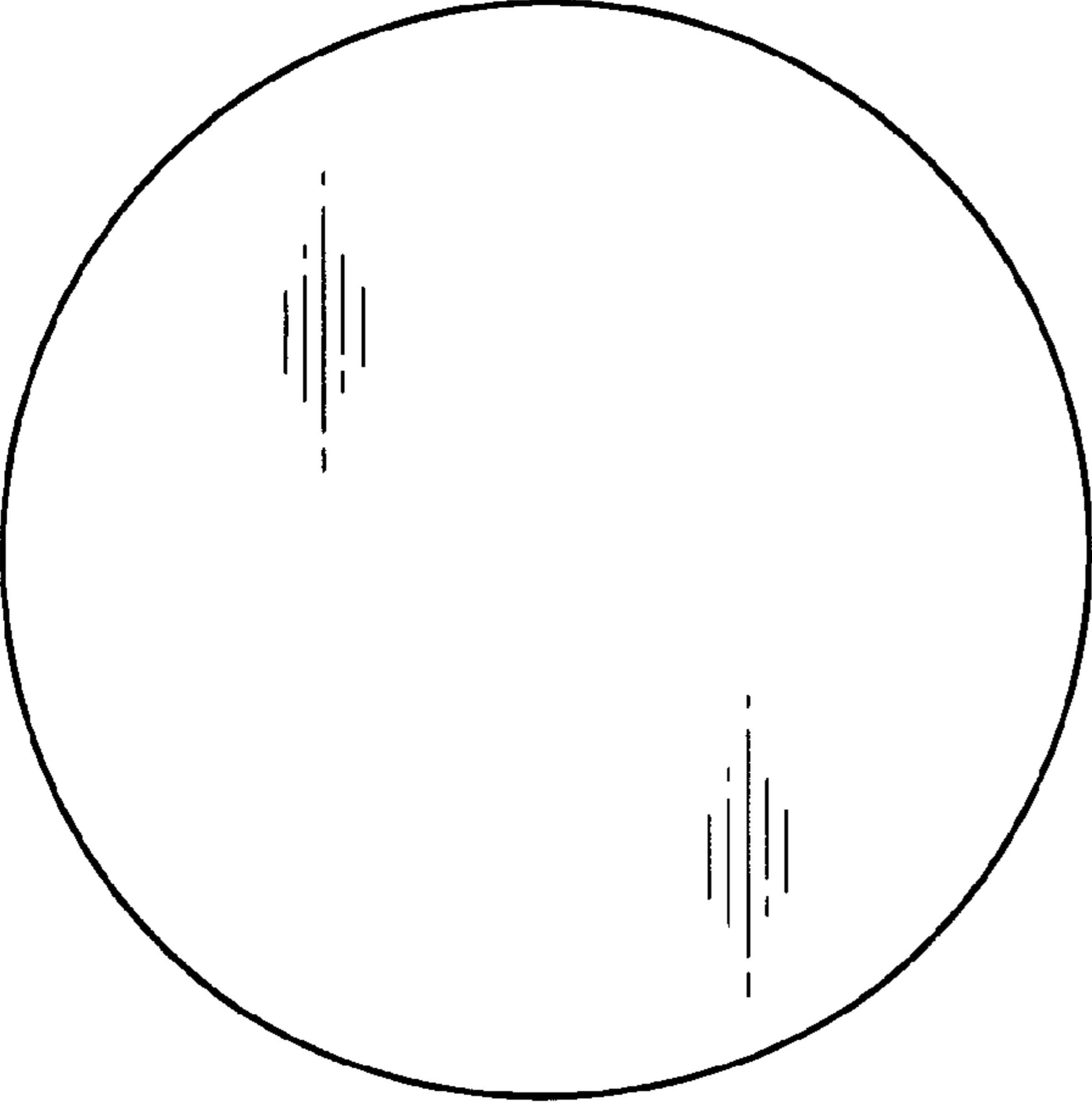


FIG. 7