



US00D559622S

(12) **United States Design Patent**
Carreno

(10) **Patent No.:** **US D559,622 S**

(45) **Date of Patent:** **** Jan. 15, 2008**

(54) **SIPPY CUP**

(75) Inventor: **Alfredo Carreno**, Aurora, IL (US)

(73) Assignee: **Thermos L.L.C.**, Rolling Meadows, IL (US)

(**) Term: **14 Years**

(21) Appl. No.: **29/259,817**

(22) Filed: **May 16, 2006**

(51) **LOC (8) Cl.** **07-01**

(52) **U.S. Cl.** **D7/510; D7/511**

(58) **Field of Classification Search** D7/510,
D7/511, 534, 620; D3/202, 215; 220/710.5,
220/603, 715, 711; 215/396, 398, 11.6; D24/197
See application file for complete search history.

(56) **References Cited**

U.S. PATENT DOCUMENTS

- D425,994 S * 5/2000 Hakim D24/197
- D454,642 S * 3/2002 Hakim D24/197
- D460,322 S * 7/2002 Orr et al. D7/510
- D495,558 S * 9/2004 Tollman D7/510
- D501,361 S * 2/2005 Tollman D7/510
- 7,152,750 B2 * 12/2006 Coffey 215/11.6
- D538,939 S * 3/2007 Conaway et al. D24/197

D547,611 S * 7/2007 Seum et al. D7/511

* cited by examiner

Primary Examiner—M. N. Pandozzi

(74) *Attorney, Agent, or Firm*—Wood, Phillips, Katz, Clark & Mortimer

(57) **CLAIM**

The ornamental design of a sippy cup, as shown and described.

DESCRIPTION

FIG. 1 is a perspective view from above of my sippy cup design;

FIG. 2 is a perspective view from below of my sippy cup design;

FIG. 3 is a front elevation of my sippy cup design;

FIG. 4 is a rear elevation of my sippy cup design;

FIG. 5 is a right side elevation of my sippy cup design, with the left side elevation being a mirror image of FIG. 5;

FIG. 6 is a top plan view of my sippy cup design; and,

FIG. 7 is a bottom view of my sippy cup design.

The broken lines in the drawings are for illustrative purposes only and form no part of the claimed design.

1 Claim, 4 Drawing Sheets

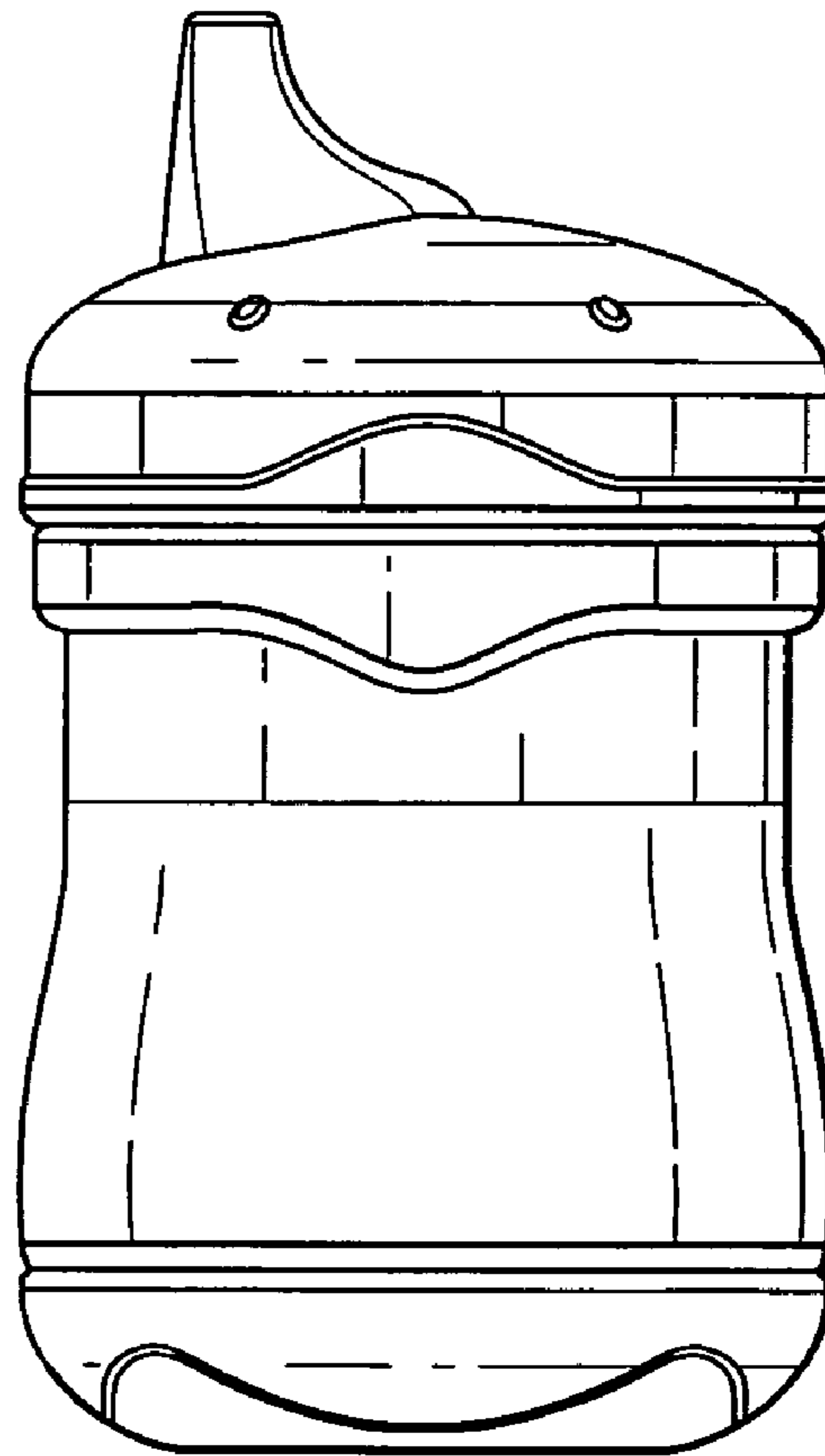
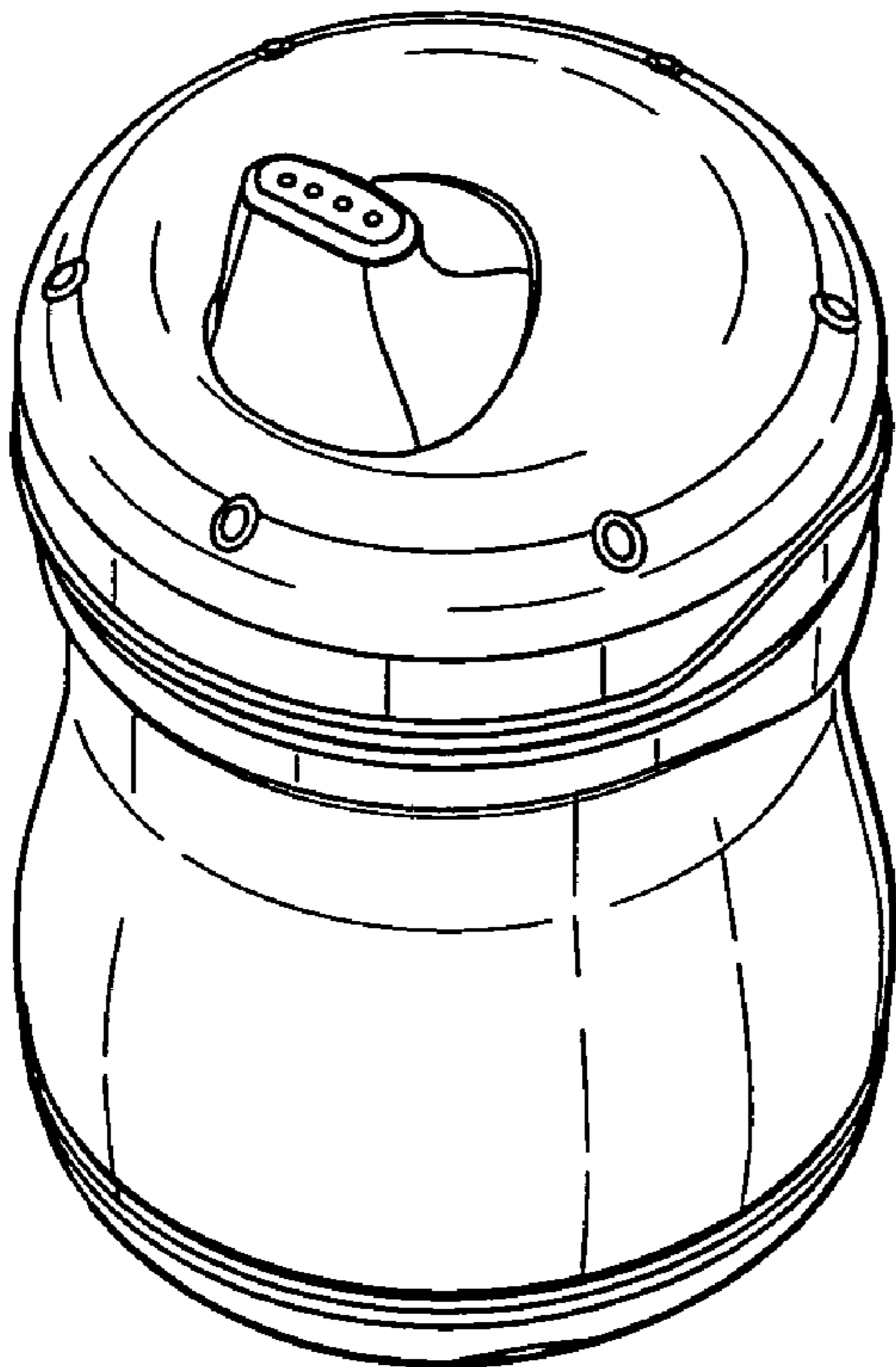


Fig. 1

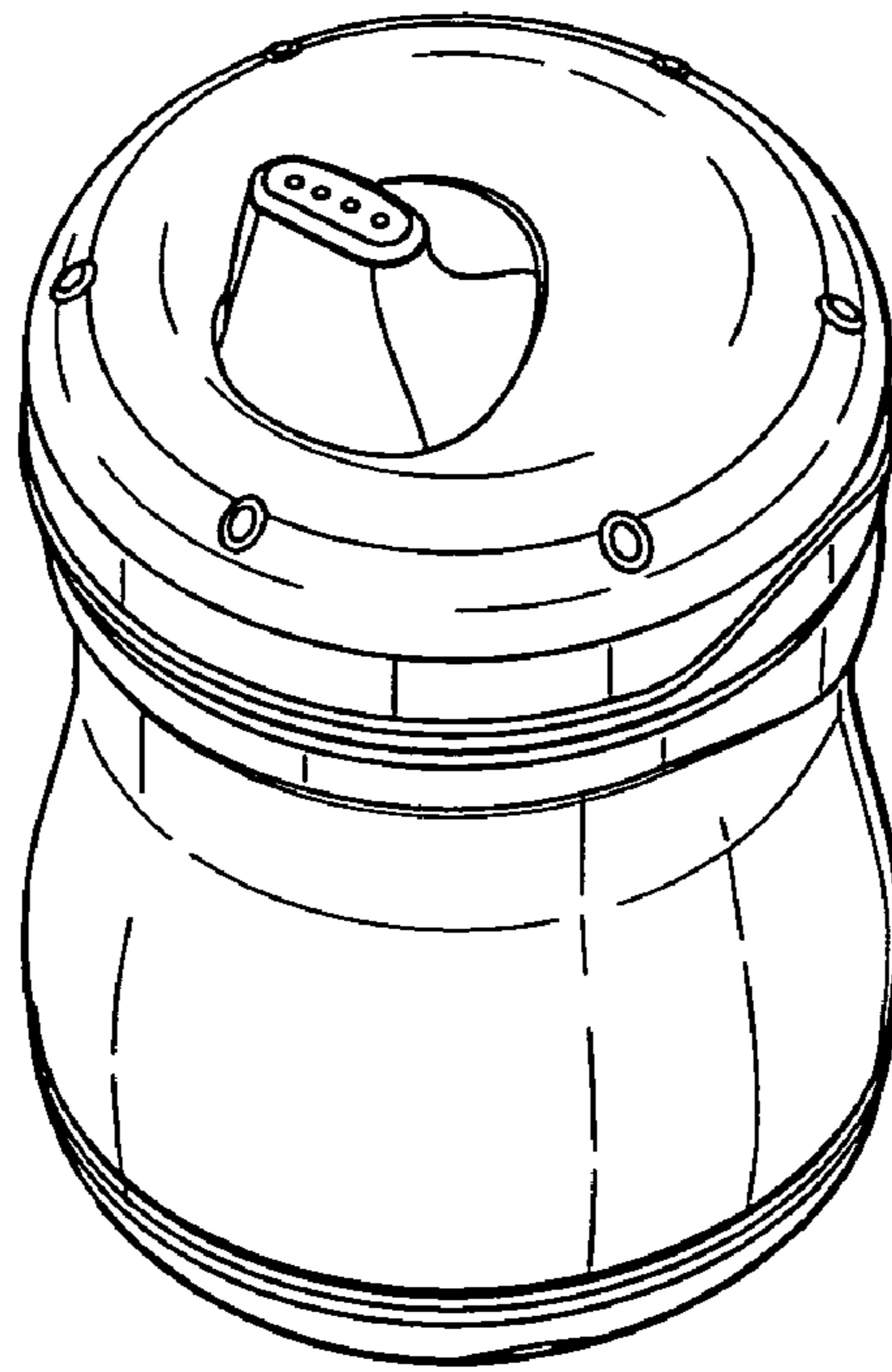


Fig. 2

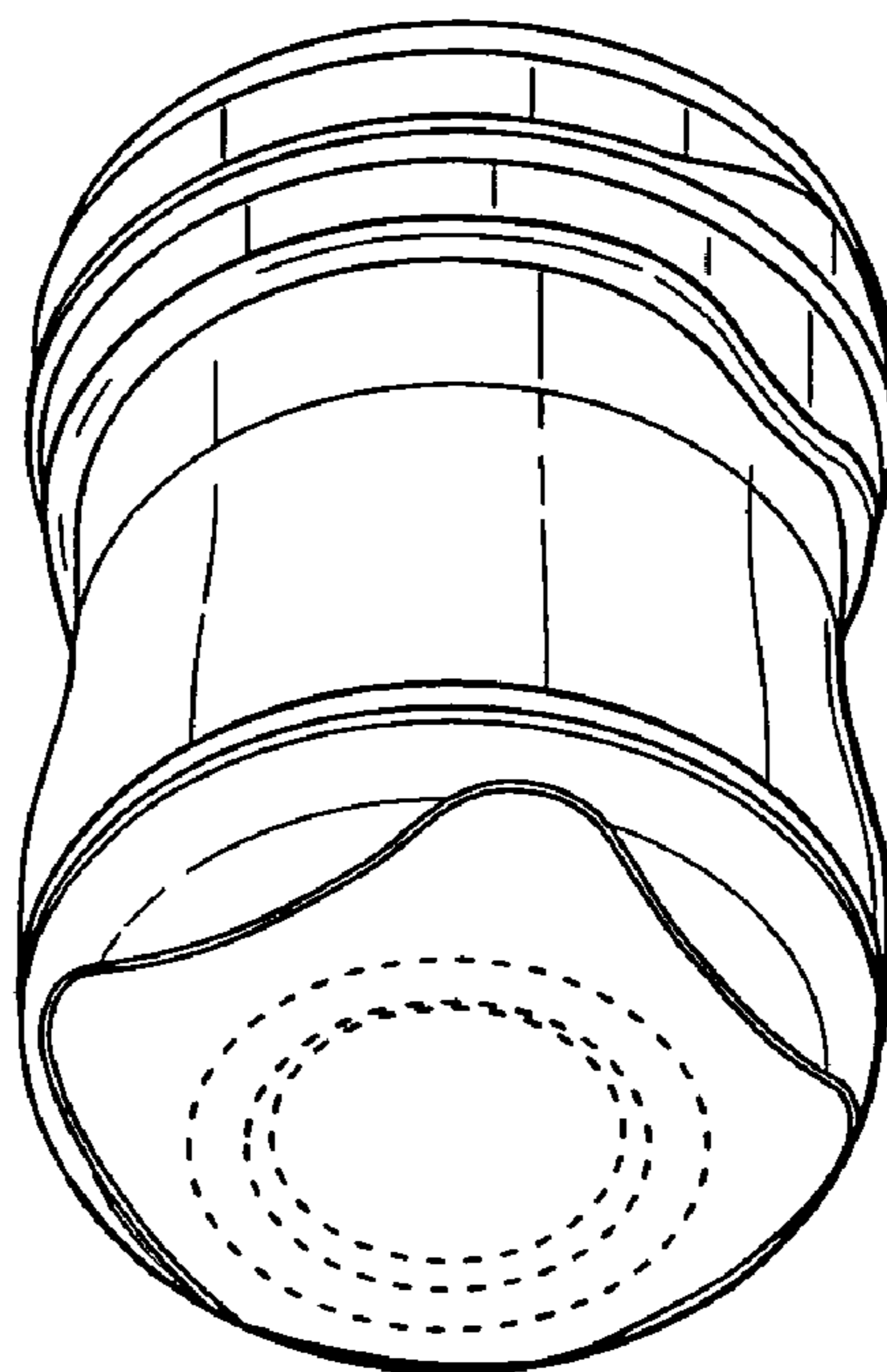


Fig. 3

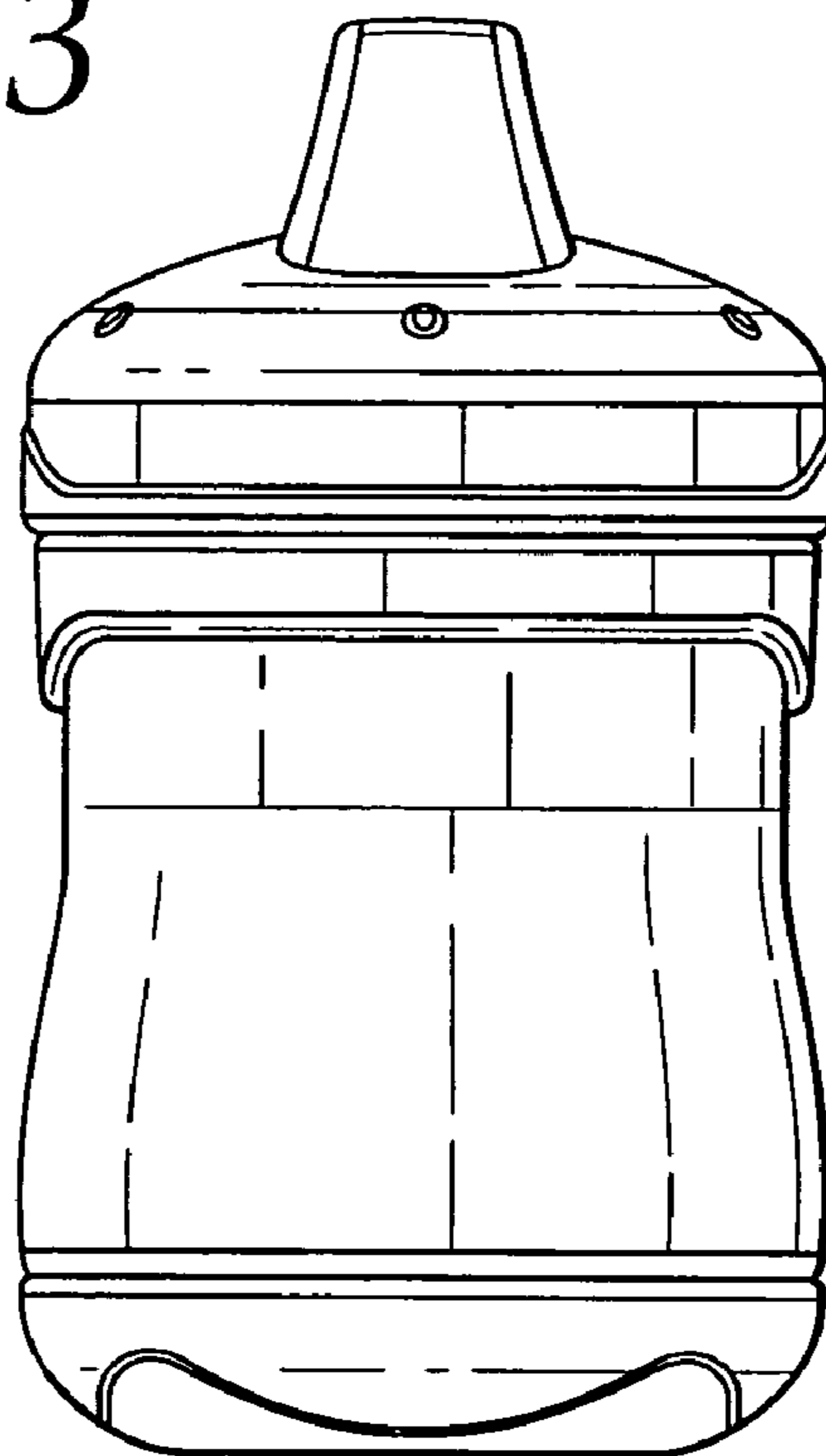


Fig. 4

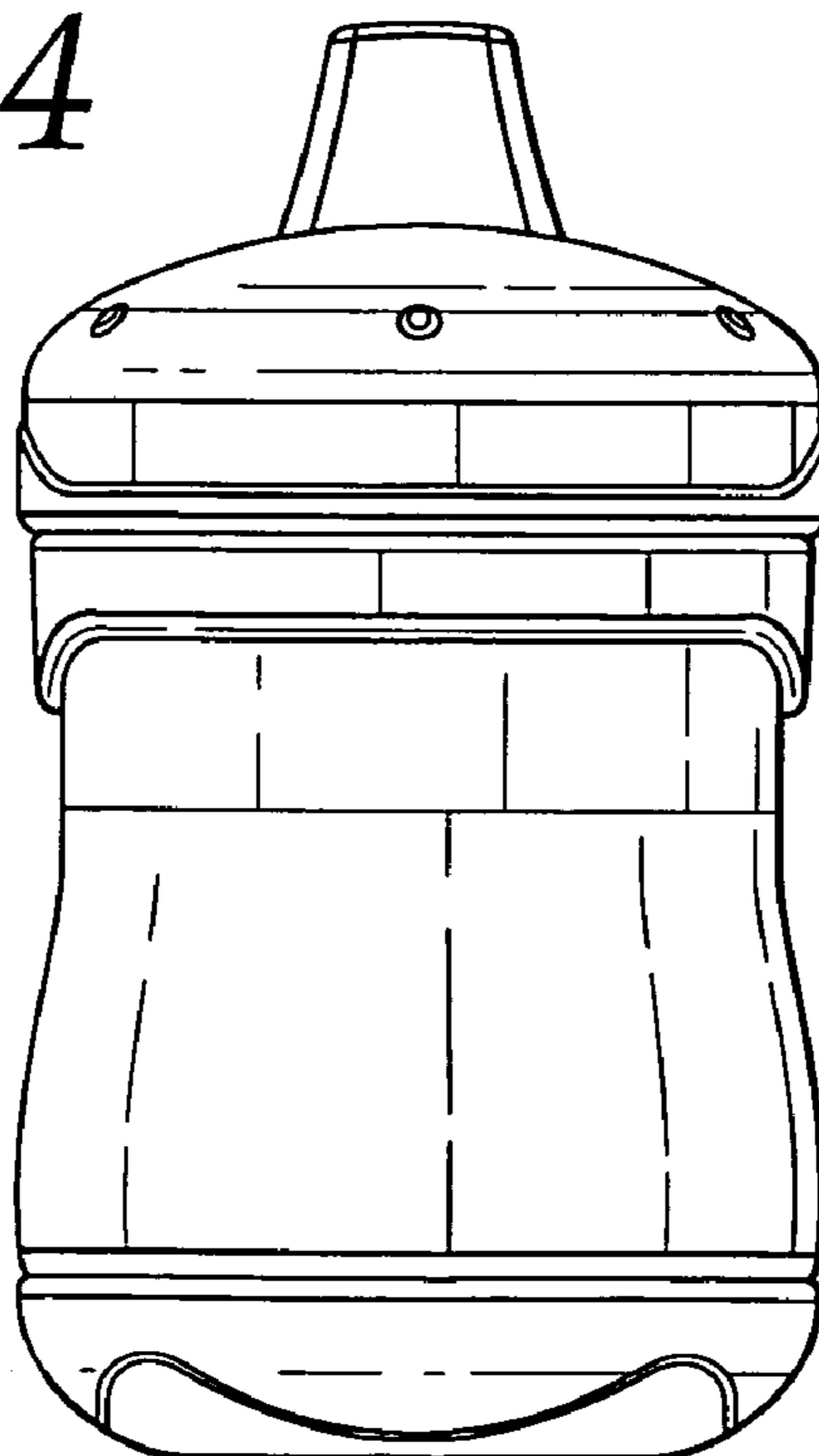


Fig. 5

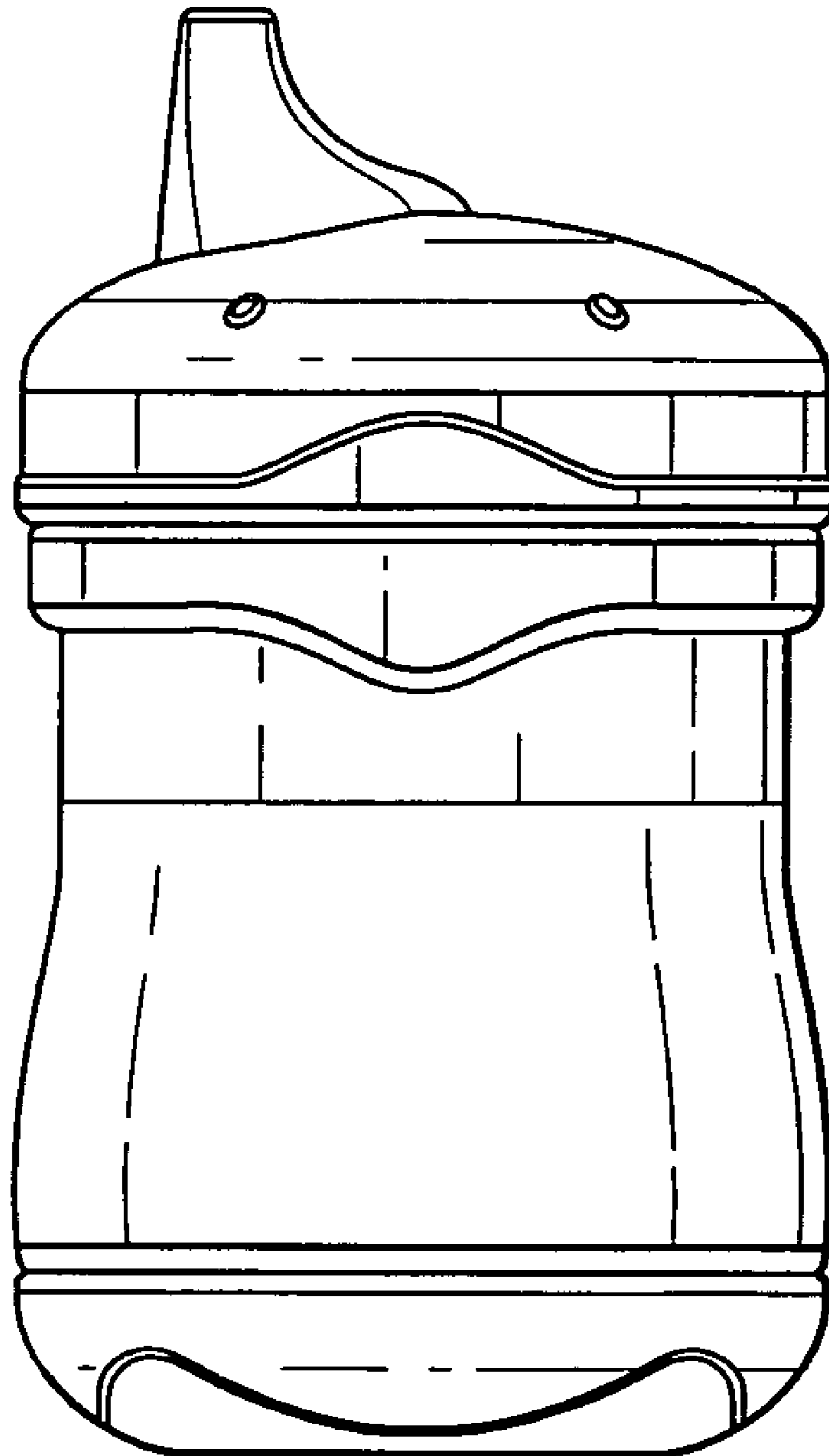


Fig. 6

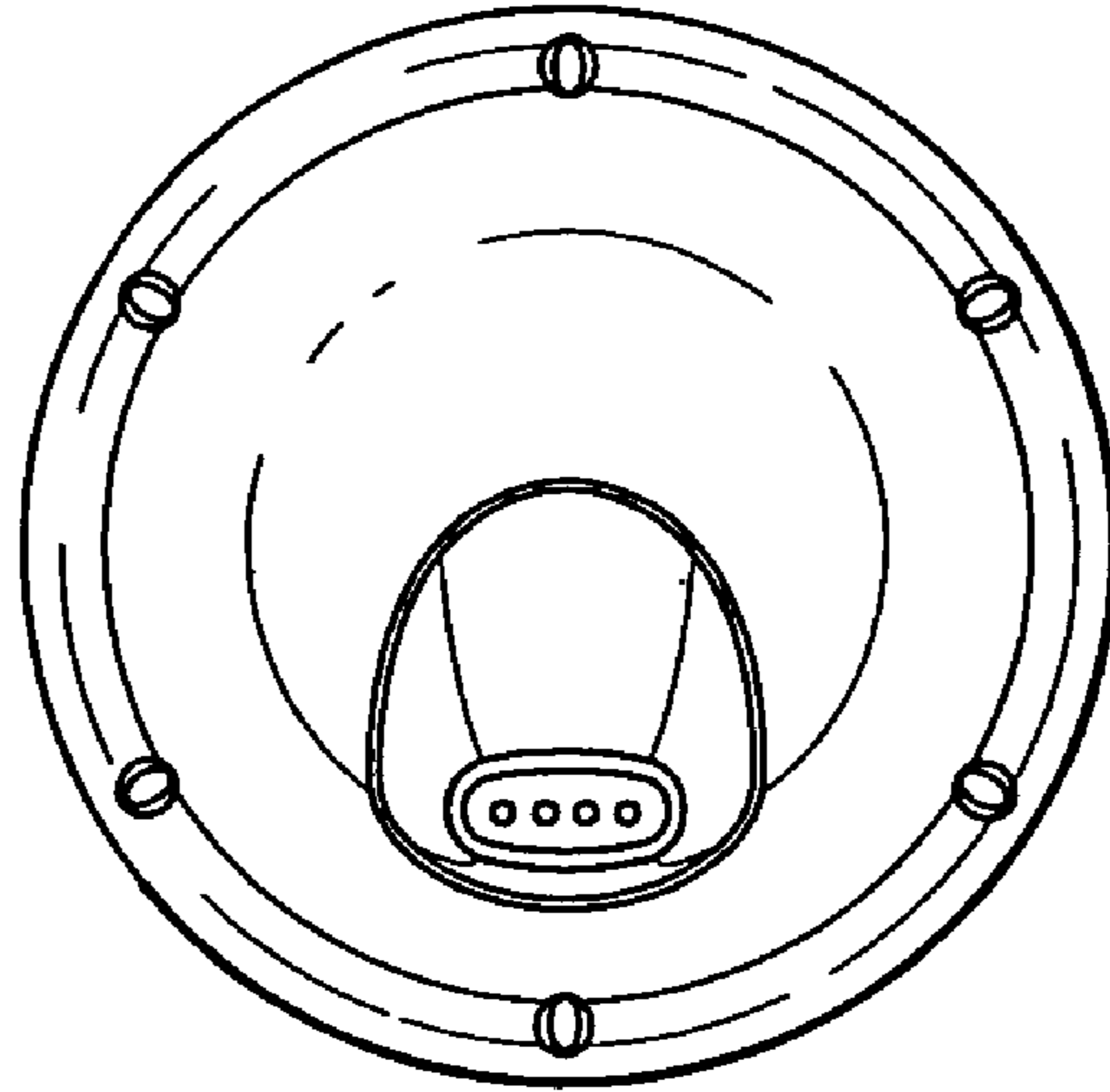


Fig. 7

