



US00D559621S

(12) **United States Design Patent** (10) **Patent No.:** **US D559,621 S**  
**Raichlen et al.** (45) **Date of Patent:** **\*\* Jan. 15, 2008**

(54) **WOOD CHIP SOAKER**

7,234,599 B2 \* 6/2007 Hassell et al. .... 206/506

\* cited by examiner

(76) Inventors: **Steven Raichlen**, 1746 Espanola Dr.,  
Miami, FL (US) 33133; **Charles**  
**Adams**, 2816 Fulton St., Berkeley, CA  
(US) 94705

*Primary Examiner*—Caron D. Veynar

*Assistant Examiner*—Ricky Pham

(74) *Attorney, Agent, or Firm*—Donald L. Beeson; Beeson  
Skinner Beverly, LLP

(\*\*) Term: **14 Years**

(57) **CLAIM**

(21) Appl. No.: **29/269,514**

The ornamental design for a wood chip soaker, as shown and  
described.

(22) Filed: **Dec. 1, 2006**

(51) **LOC (8) Cl.** ..... **07-02**

**DESCRIPTION**

(52) **U.S. Cl.** ..... **D7/409**

FIG. 1 is a top perspective view of a wood chip soaker  
showing our new design;

(58) **Field of Classification Search** ..... D3/304,  
D3/307, 312; D32/37; D7/323, 393, 354–364,  
D7/409, 543–545, 554.1, 554.2, 550.1, 551.1,  
D7/552.1, 553.1, 554.3, 554.4, 602, 667,  
D7/668; 99/324, 339, 400, 410–413, 422,  
99/446–448; 206/506; 210/469, 470; 220/23.2,  
220/23.6, 212.5, 215, 346, 351, 573.1–573.4,  
220/574–575, 641, 912

FIG. 2 is another top perspective view thereof showing the  
wood chip baskets exploded from the base container of the  
wood chip soaker;

See application file for complete search history.

FIG. 3 is a top plan view of the base container of the wood  
chip soaker, shown without the wood chip baskets for ease  
of illustration;

(56) **References Cited**

FIG. 4 is a side elevational view thereof, the other side being  
a mirror image;

U.S. PATENT DOCUMENTS

FIG. 5 is a front elevational view thereof; the rear being and  
mirror image;

1,671,450 A \* 5/1928 Ross ..... 99/447  
2,058,807 A \* 10/1936 Lockwood ..... 220/23.6  
D292,634 S \* 11/1987 Chabot ..... D3/307  
D364,272 S \* 11/1995 Brightbill ..... D3/312  
D381,203 S \* 7/1997 Ackermann et al. .... D3/307  
D398,448 S \* 9/1998 Zanni ..... D3/312  
D401,065 S \* 11/1998 Peltola ..... D3/304  
D421,183 S \* 2/2000 Koskinen ..... D3/312  
D433,548 S \* 11/2000 Baines et al. .... D32/37  
D494,759 S \* 8/2004 Louie et al. .... D3/304  
D539,541 S \* 4/2007 Stahl ..... D3/304

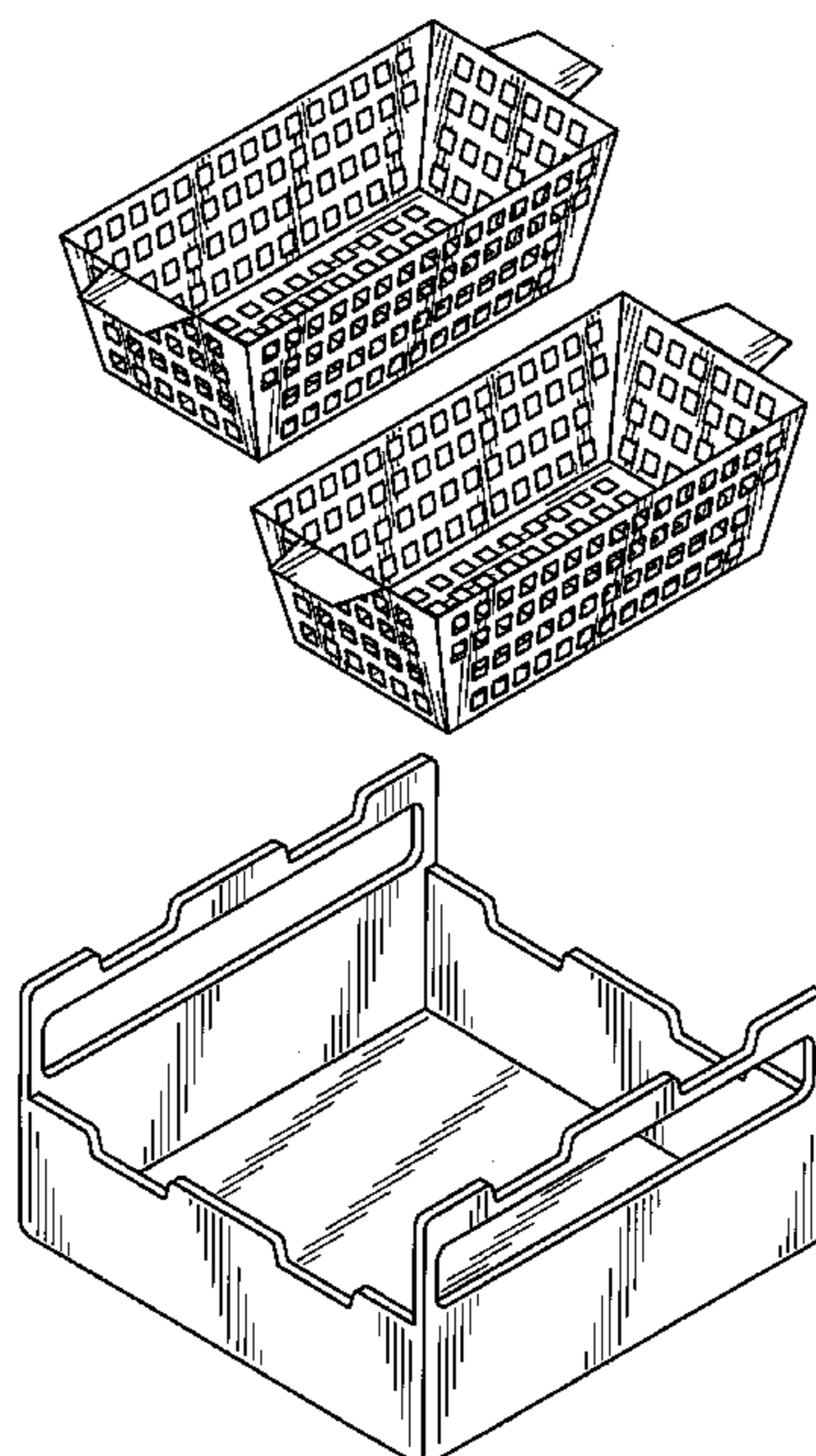
FIG. 6 is a top plan view of one of the wood chip baskets  
shown in FIGS. 1 and 2, shown without the base container  
for ease of illustration;

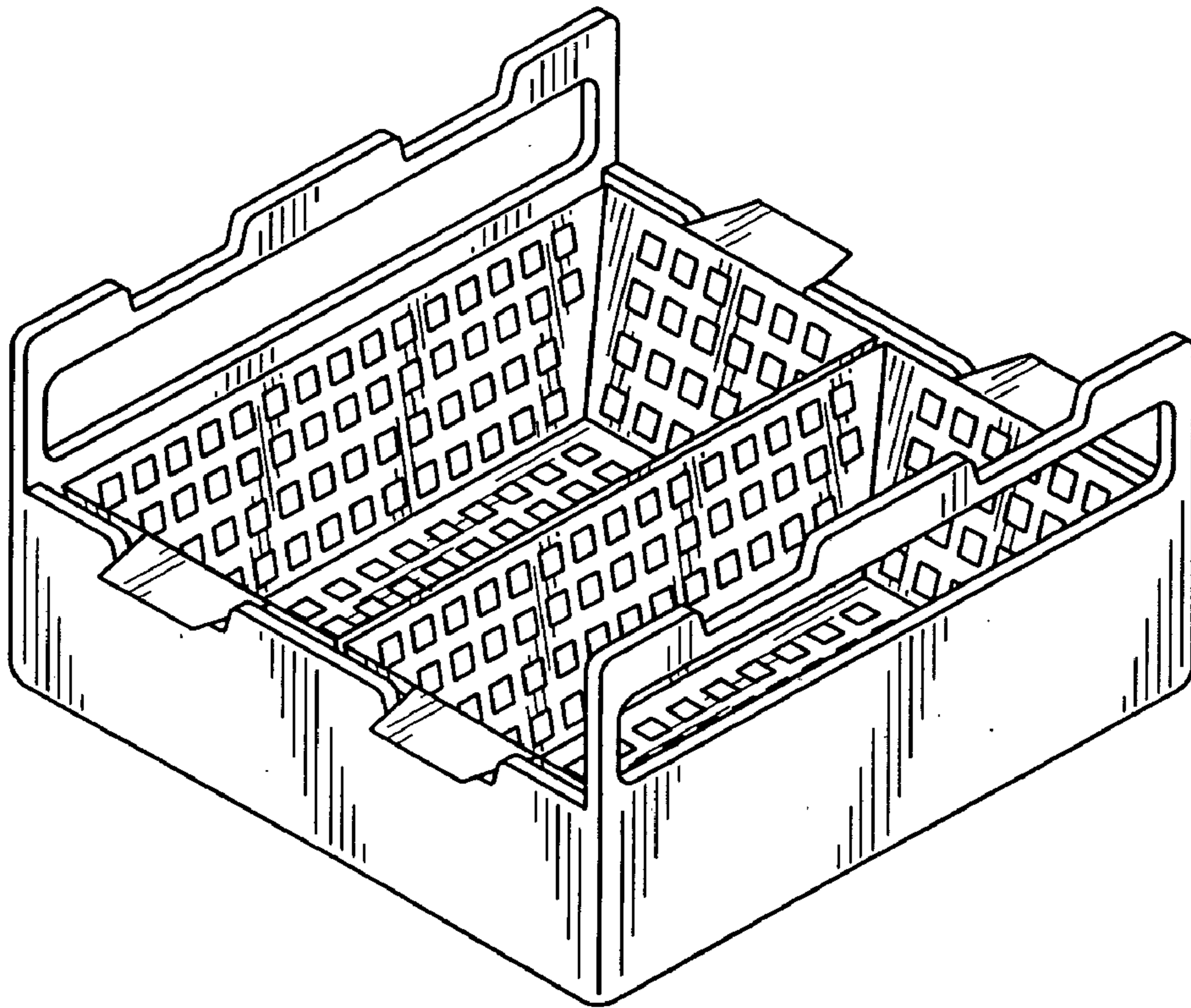
FIG. 7 is a side elevational view thereof, the other side being  
a mirror image;

FIG. 8 is a bottom plan view thereof; and,

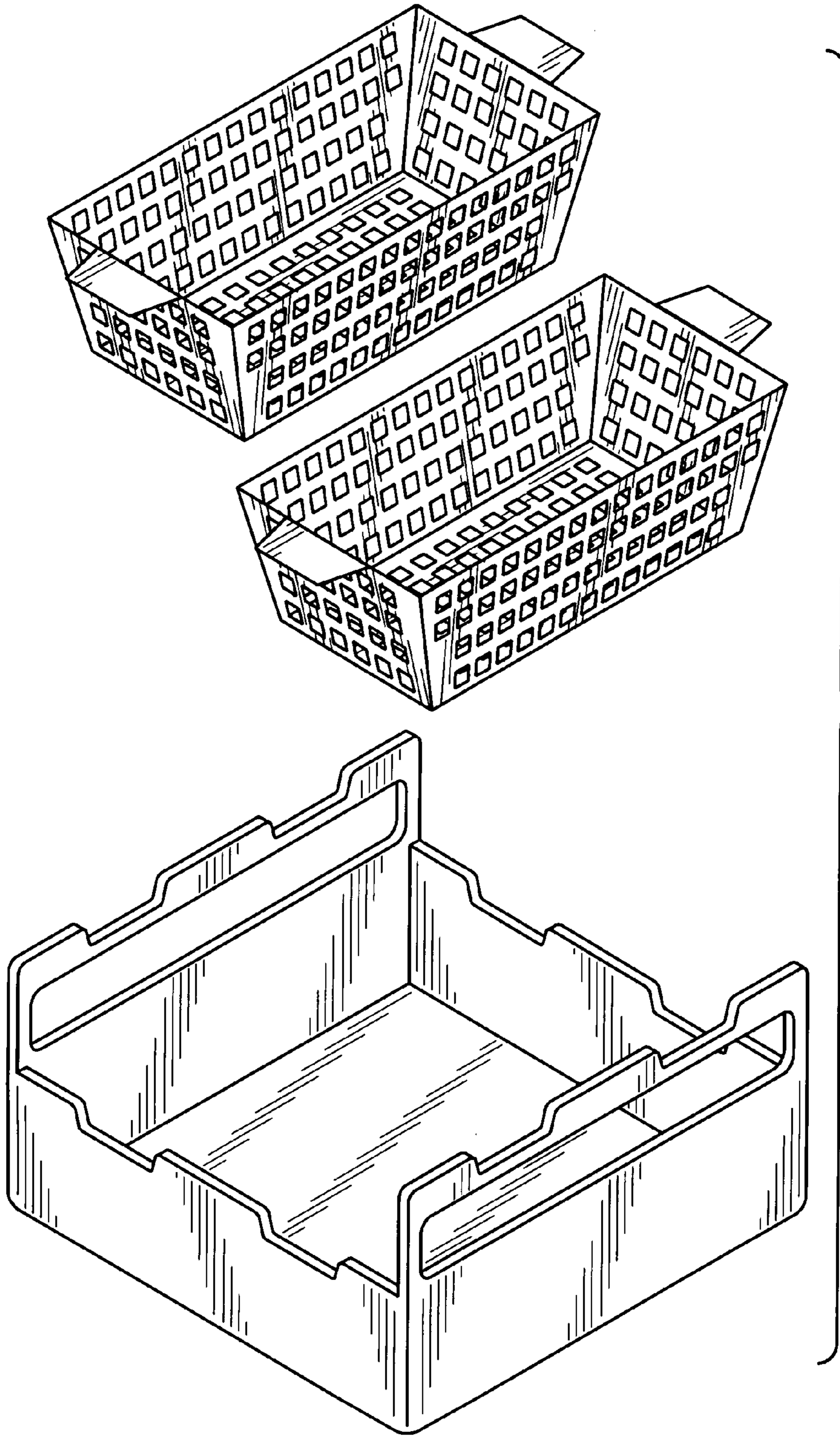
FIG. 9 end elevational view thereof, the other end being a  
mirror image.

**1 Claim, 5 Drawing Sheets**

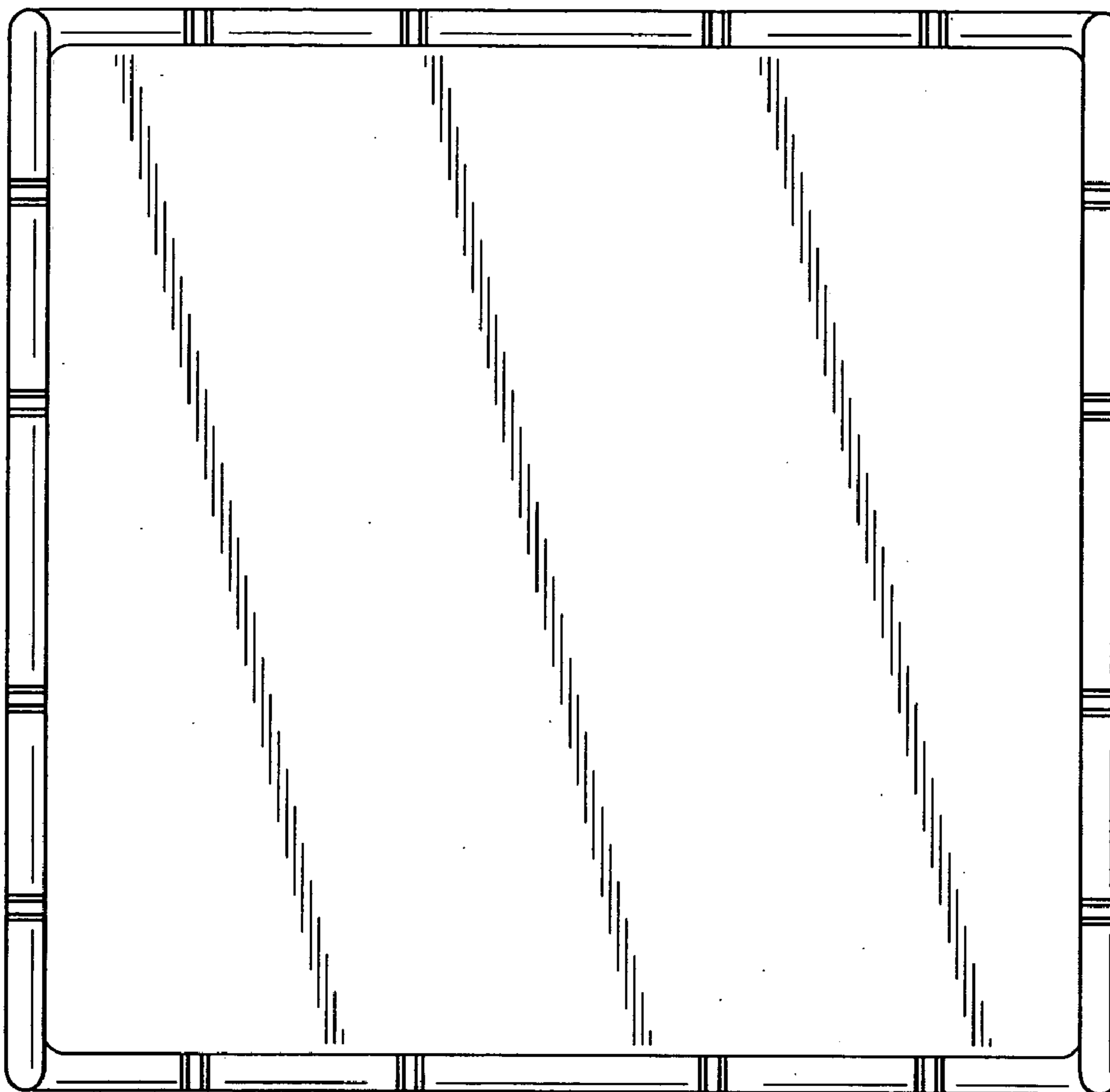




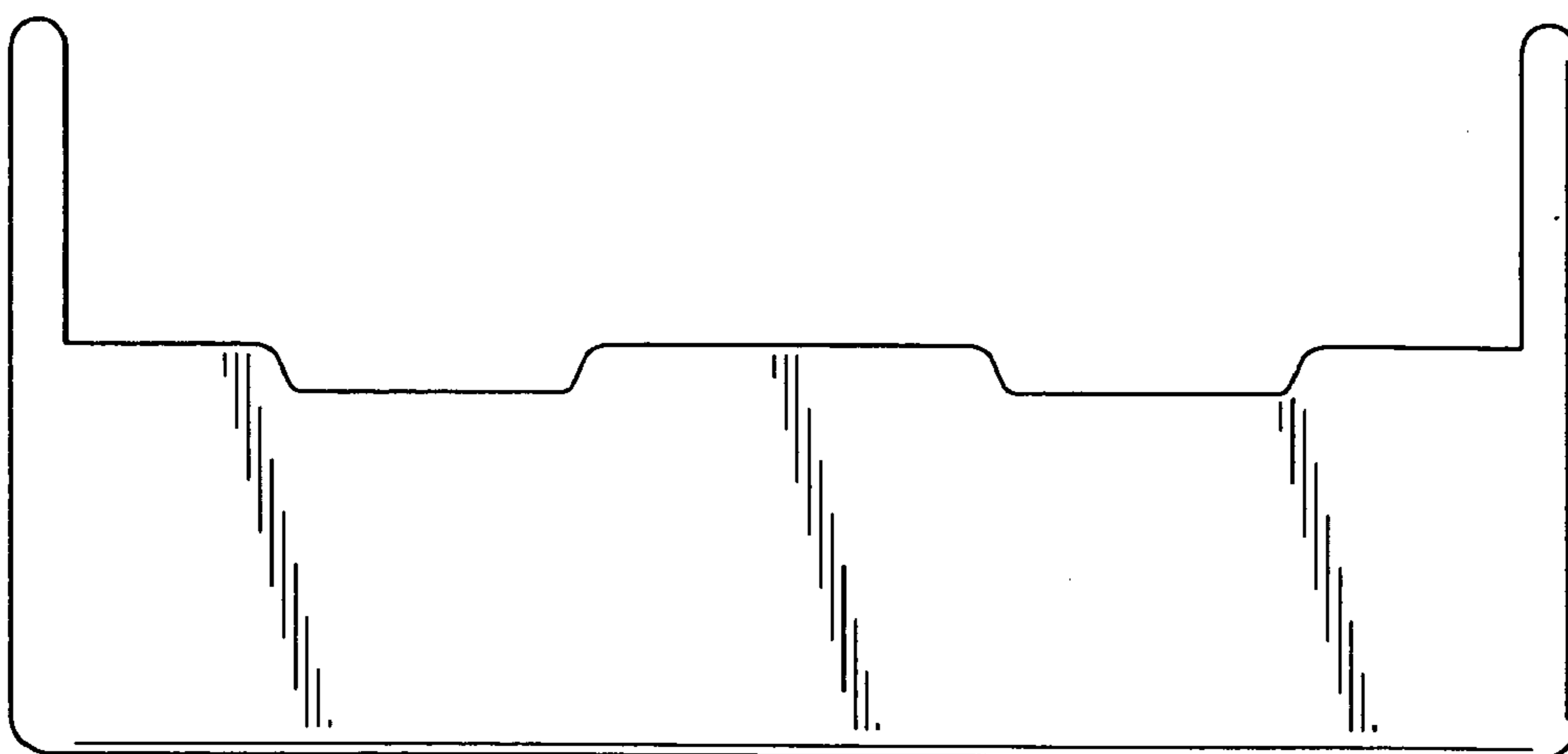
**FIG. 1**



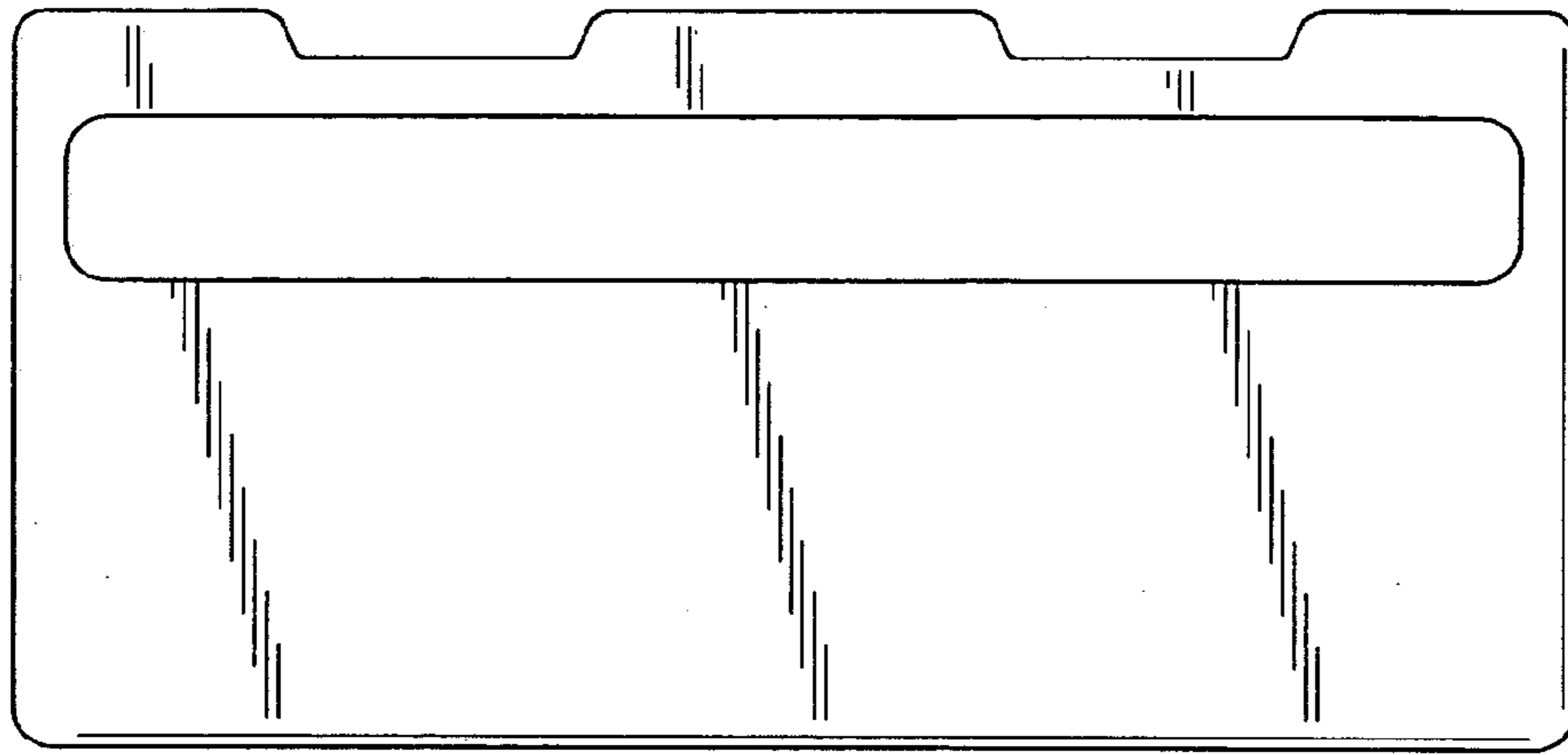
**FIG. 2**



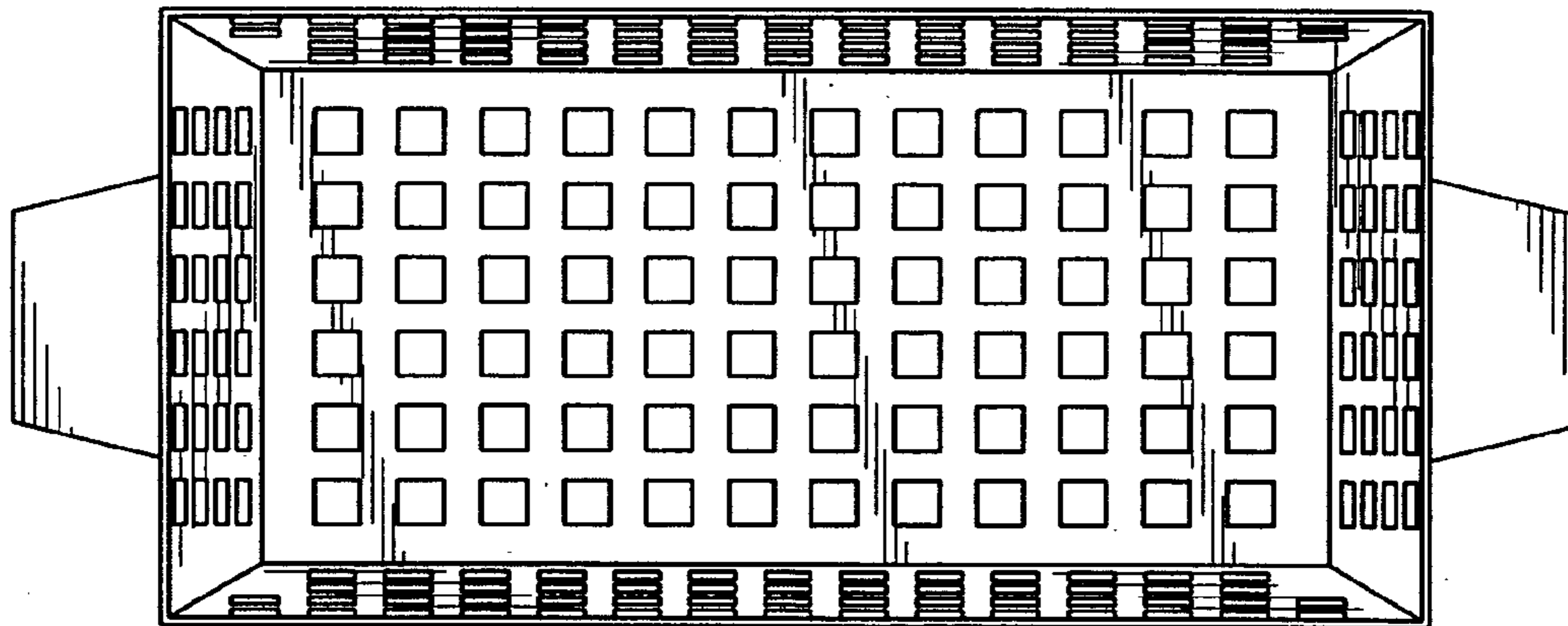
**FIG. 3**



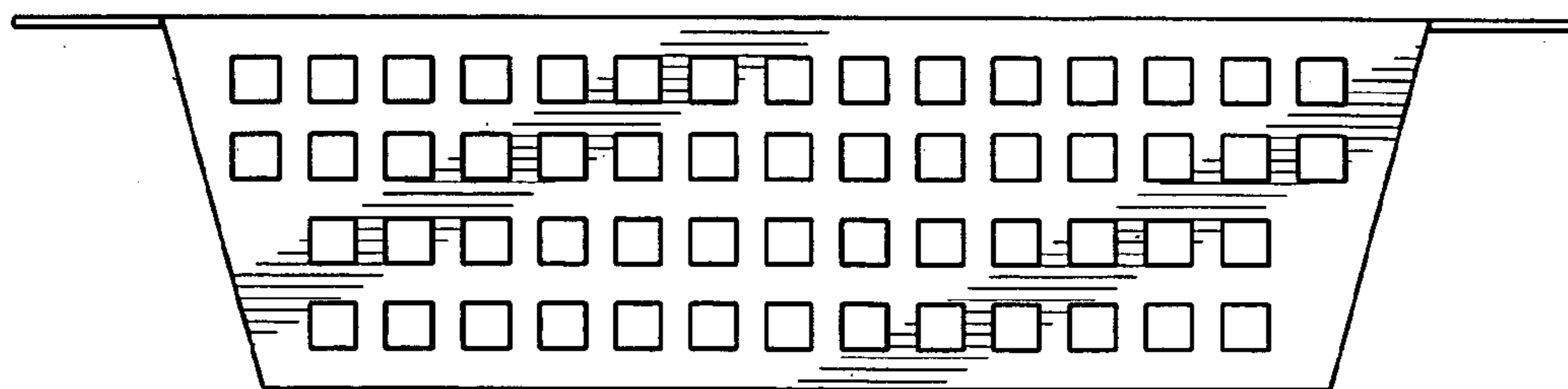
**FIG. 4**



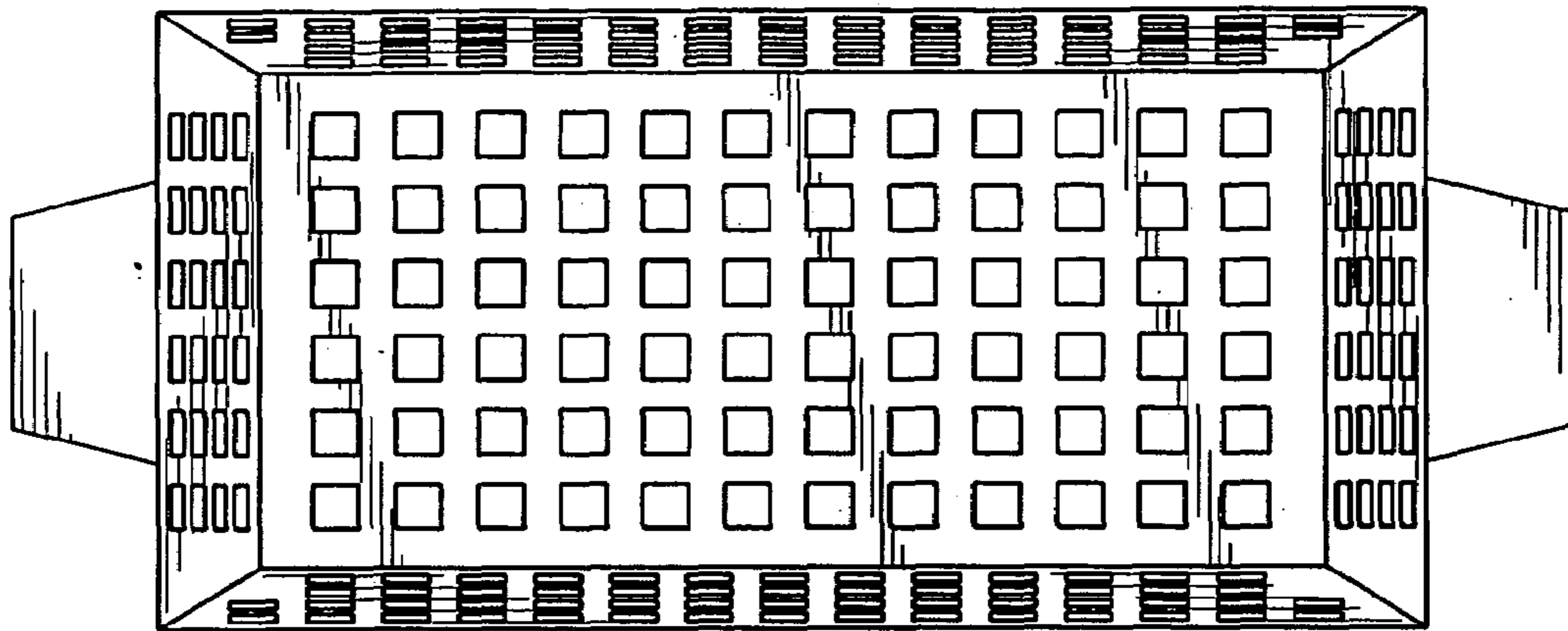
**FIG. 5**



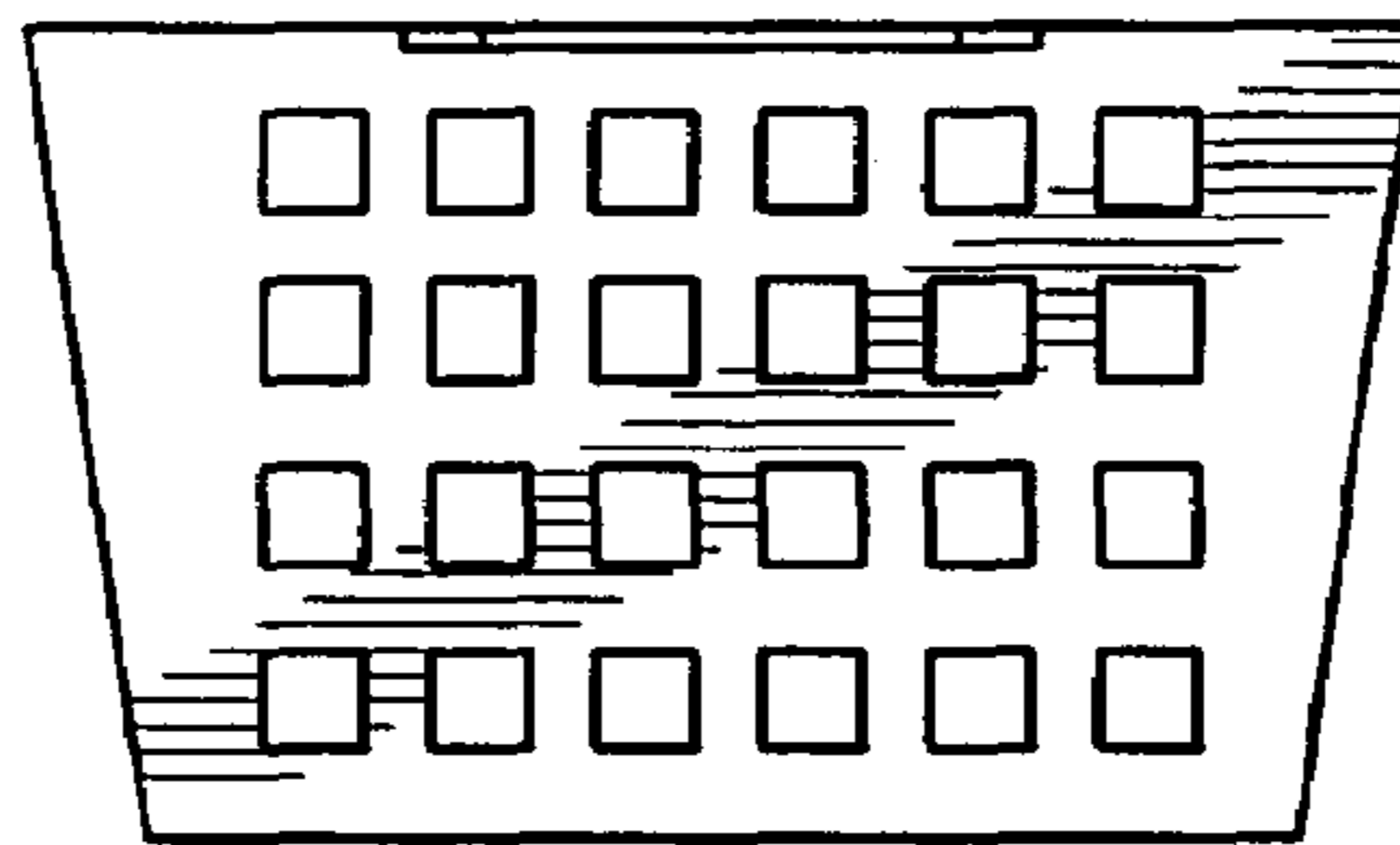
**FIG. 6**



**FIG. 7**



**FIG. 8**



**FIG. 9**