



US00D559620S

(12) **United States Design Patent**
Bachinski et al.

(10) **Patent No.:** **US D559,620 S**
(45) **Date of Patent:** **** Jan. 15, 2008**

(54) **GRILL HOOD**

(75) Inventors: **Thomas J. Bachinski**, Lakeville, MN (US); **Douglas Mark Holm**, Minneapolis, MN (US); **Daniel Curtis Shimek**, Apple Valley, MN (US); **Robert Samuel Waddell**, Brooklyn Park, MN (US); **Eric Paul Hawkinson**, Prior Lake, MN (US)

(73) Assignee: **Fire Stone Home Products, LLC**, Bloomington, MN (US)

(**) Term: **14 Years**

(21) Appl. No.: **29/248,817**

(22) Filed: **Sep. 6, 2006**

6,037,571 A	3/2000	Christopher	
6,104,004 A	8/2000	Ragland et al.	
D433,279 S *	11/2000	Schlosser et al.	D7/402
RE37,152 E	5/2001	O'Brein et al.	
6,262,399 B1	7/2001	Lau et al.	
6,369,367 B1	4/2002	Maier	
6,386,092 B1	5/2002	Grohs	
6,437,291 B1	8/2002	Hopponen	
D470,719 S *	2/2003	Pai	D7/402
D471,761 S *	3/2003	Choi et al.	D7/402
D491,414 S *	6/2004	Nichols et al.	D7/402
6,748,940 B2	6/2004	Bennett et al.	
D497,284 S *	10/2004	Pai	D7/402
D504,048 S *	4/2005	Joss et al.	D7/402
D527,947 S *	9/2006	Pai	D7/402
D535,139 S *	1/2007	Lutz	D7/334
D538,592 S *	3/2007	McKenzie	D7/402
2003/0197001 A1	10/2003	Grohs	

Related U.S. Application Data

(63) Continuation of application No. 10/803,169, filed on Mar. 17, 2004.

(51) **LOC (8) Cl.** **07-02**

(52) **U.S. Cl.** **D7/402**

(58) **Field of Classification Search** D7/332-337, D7/402; 126/25 R, 25 A, 25 AA, 9 R, 41 R, 126/40, 50, 276, 37 R; 219/385-387, 395, 219/403-404; 99/339-341, 421 H, 446, 99/450, 481, 444-445

See application file for complete search history.

(56) **References Cited**

U.S. PATENT DOCUMENTS

3,683,792 A	8/1972	Groves, Jr. et al.
3,938,431 A	2/1976	Potvin
3,959,620 A	5/1976	Stephen, Jr.
4,430,559 A	2/1984	Rabay
4,641,015 A	2/1987	Mayeur
5,036,180 A	7/1991	Scott
5,477,028 A	12/1995	Chang
5,524,528 A	6/1996	Yeh
5,582,094 A	12/1996	Peterson et al.
5,719,377 A	2/1998	Giebel et al.
5,821,507 A	10/1998	Sasaki et al.
5,934,180 A	8/1999	Lin

FOREIGN PATENT DOCUMENTS

DE	297 14 113 U1	11/1997
EP	1 080 677 A1	3/2001

* cited by examiner

Primary Examiner—Ruth McInroy

(74) *Attorney, Agent, or Firm*—Merchant & Gould P.C.

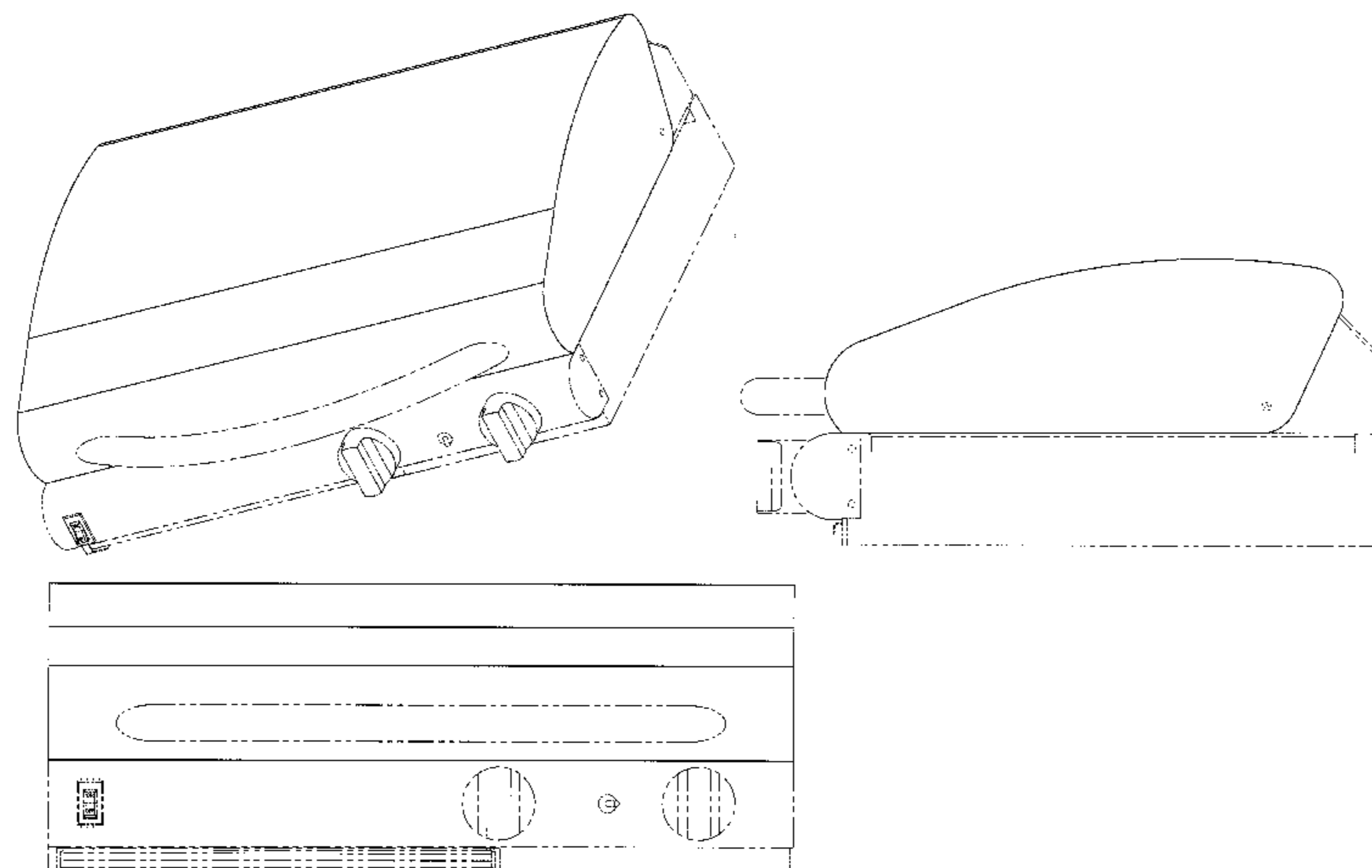
(57) **CLAIM**

We claim the ornamental design for a grill hood, as shown and described.

DESCRIPTION

FIG. 1 is a front perspective view of the grill hood; FIG. 2 is a front view thereof; FIG. 3 is a right side view thereof, the left side view being a mirror image of the right side view; and, FIG. 4 is a top view thereof. The bottom view is devoid of ornamentation. The portions of the grill hood shown in broken lines are shown for illustrative purposes only and form no part of the claimed design.

1 Claim, 4 Drawing Sheets



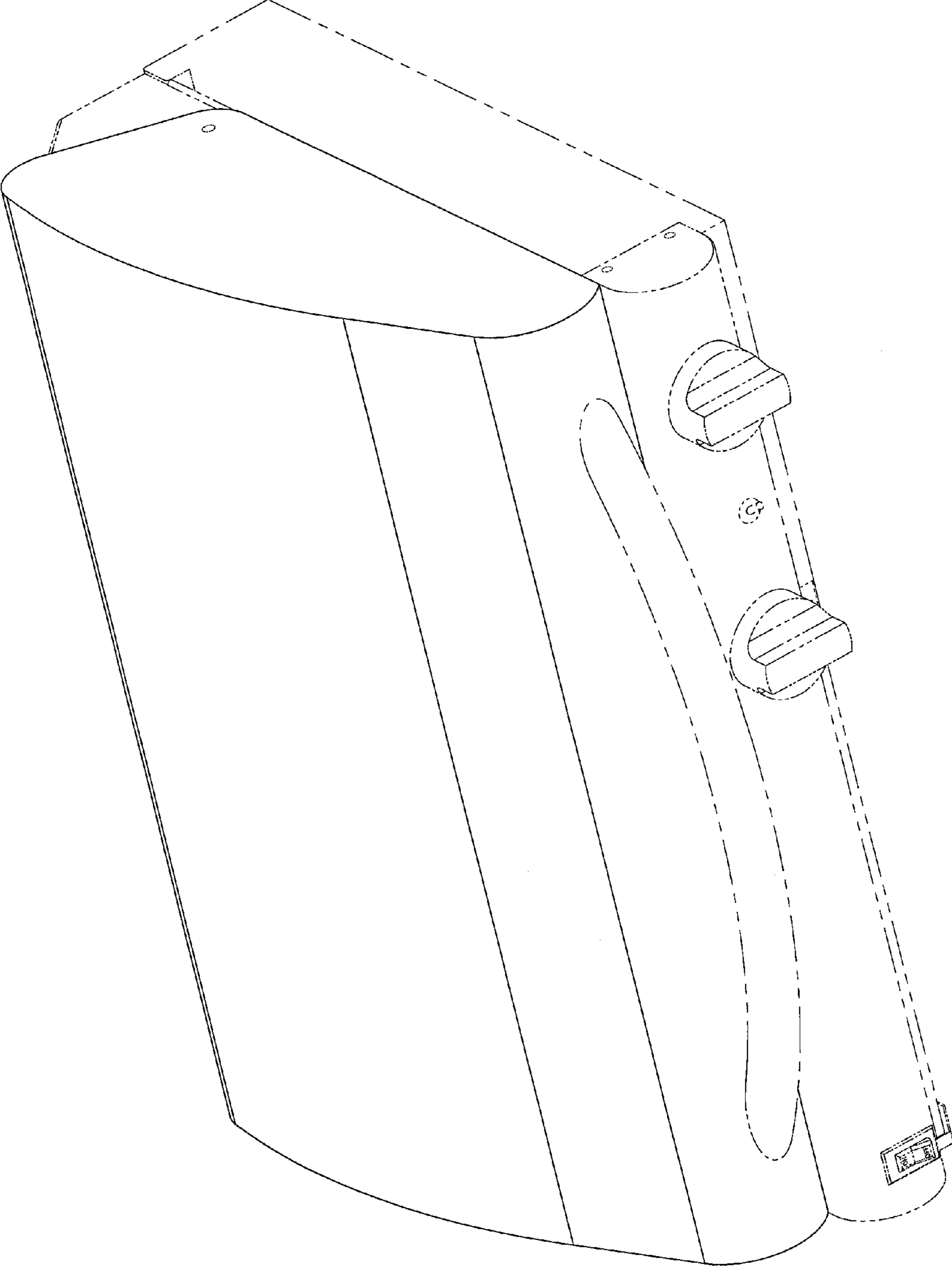


FIG.1

FIG.2

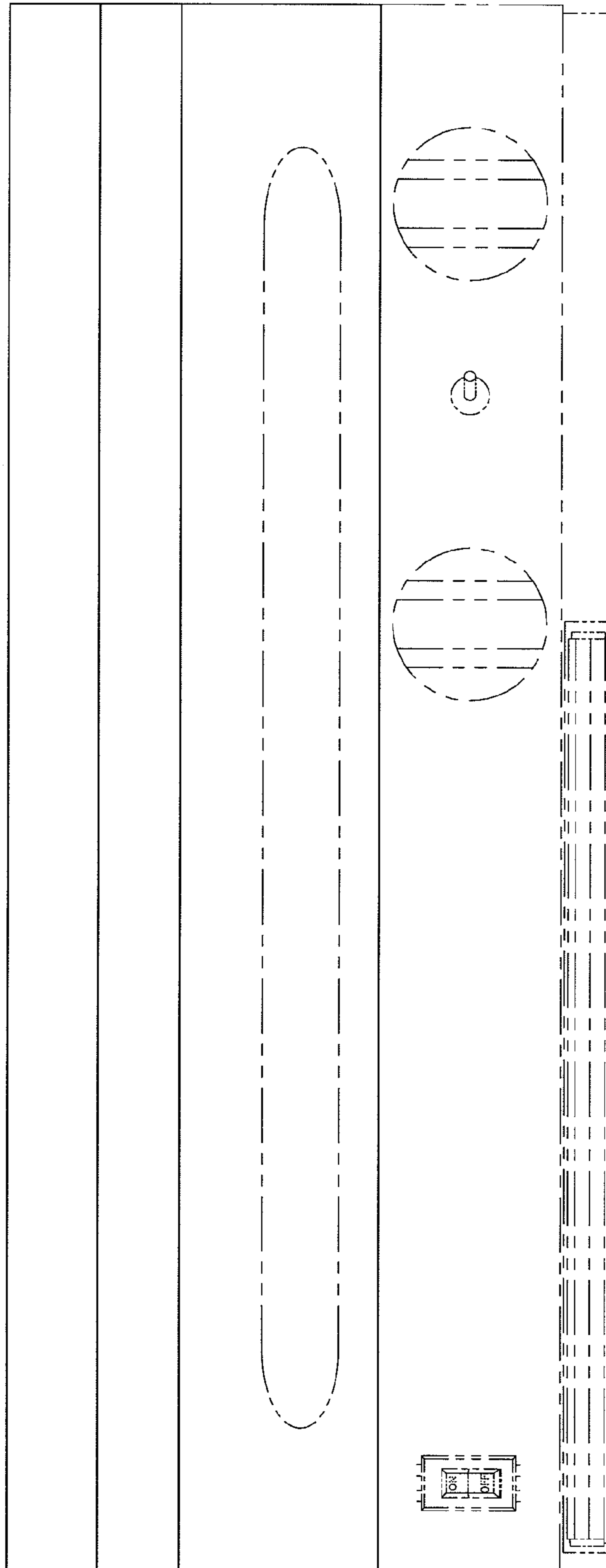
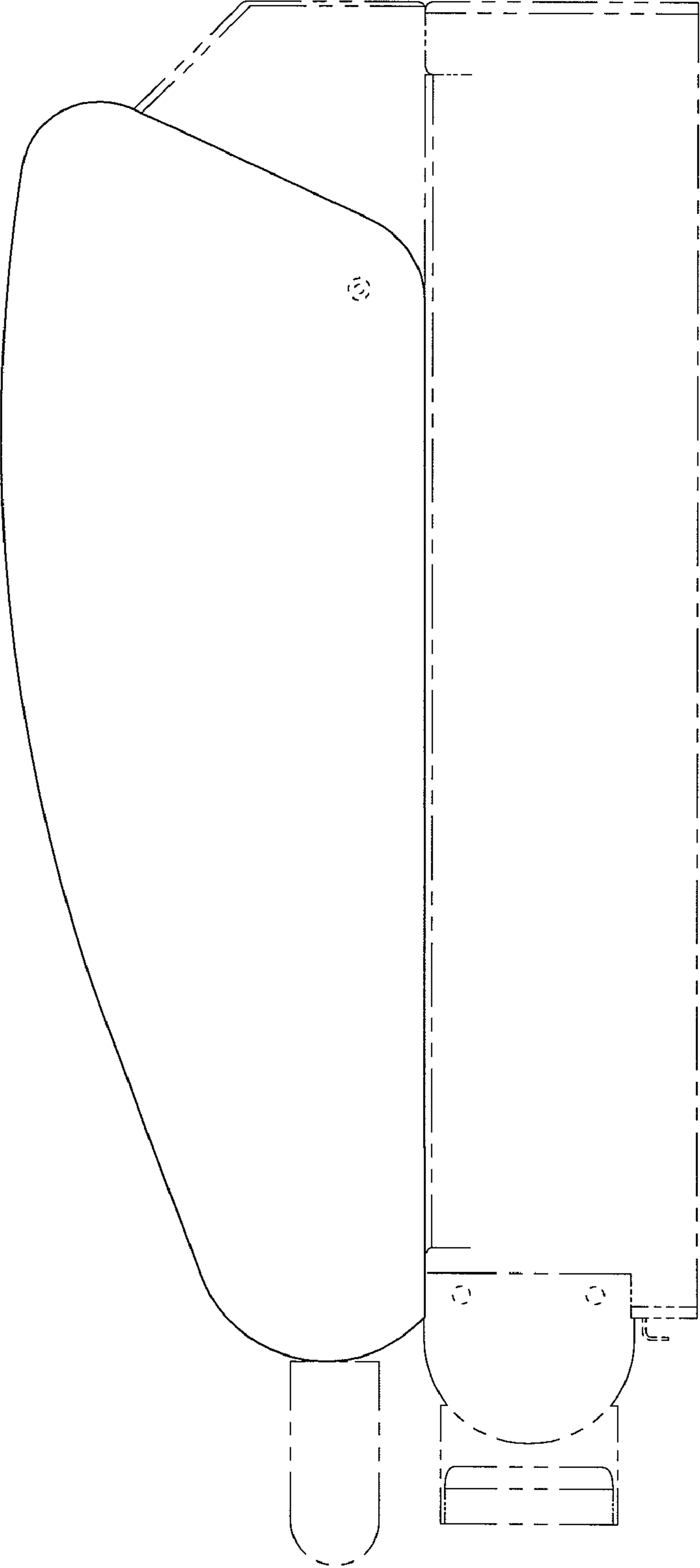


FIG.3



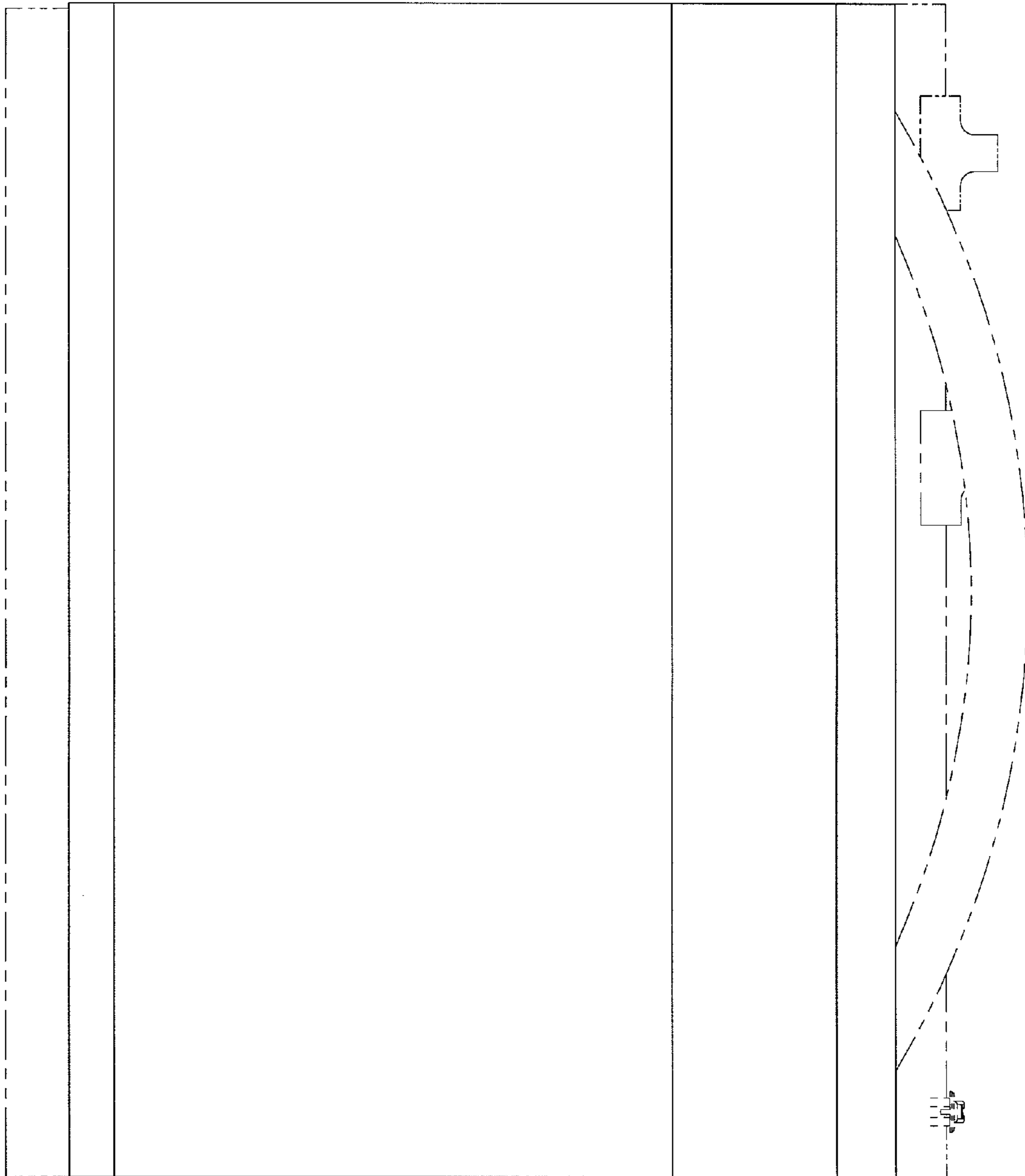


FIG.4