



US00D559619S

(12) **United States Design Patent**
McKenzie

(10) **Patent No.:** **US D559,619 S**

(45) **Date of Patent:** **** *Jan. 15, 2008**

(54) **COMBINED BARBEQUE SHELVES AND CONSOLE**

(75) Inventor: **Stuart T. McKenzie**, Wyevale (CA)

(73) Assignee: **Wolfedale Engineering Limited**,
Brampton, Ontario

(*) Notice: This patent is subject to a terminal disclaimer.

(**) Term: **14 Years**

(21) Appl. No.: **29/237,564**

(22) Filed: **Sep. 2, 2005**

(30) **Foreign Application Priority Data**

Mar. 4, 2005	(CA)	110257
Mar. 4, 2005	(CA)	110258
Mar. 4, 2005	(CA)	111801
Mar. 4, 2005	(CA)	111805
Mar. 4, 2005	(CA)	111818
Mar. 4, 2005	(CA)	111821
Mar. 4, 2005	(CA)	111834
Mar. 4, 2005	(CA)	111867
Mar. 4, 2005	(CA)	111890

(51) **LOC (8) Cl.** **07-02**

(52) **U.S. Cl.** **D7/402**

(58) **Field of Classification Search** D7/332,
D7/334-337, 402-405, 417; 126/25 R, 25 A,
126/25 AA, 25 B, 41 R, 50, 59, 59.5, 37 R,
126/9 R, 9 B, 29-30, 276, 332, 334; 211/215,
211/134-135, 153; 99/340, 481-482, 444;
426/314; 312/236

See application file for complete search history.

(56) **References Cited**

U.S. PATENT DOCUMENTS

D377,734 S 2/1997 Bird et al.
D404,963 S * 2/1999 Schlosser et al. D7/334

(Continued)

Primary Examiner—Ruth McInroy
(74) *Attorney, Agent, or Firm*—Ogilvy Renault LLP;
Christopher N. Hunter

(57) **CLAIM**

The ornamental design for combined barbeque shelves and console, as shown and described.

DESCRIPTION

FIG. 1 is an isometric view of a combined barbeque shelves and console showing a first variant the new design;

FIG. 2 is a front view of the combined barbeque shelves and console of FIG. 1;

FIG. 3 is a top view of the combined barbeque shelves and console of FIG. 1;

FIG. 4 is an end view of the combined barbeque shelves and console of FIG. 1;

FIG. 5 is an isometric view of the combined barbeque shelves and console showing a second variant the new design;

FIG. 6 is a front view of the combined barbeque shelves and console of FIG. 5;

FIG. 7 is a top view of the combined barbeque shelves and console of FIG. 5;

FIG. 8 is an end view of the combined barbeque shelves and console of FIG. 5;

FIG. 9 is an isometric view of a combined barbeque shelves and console showing a third variant the new design;

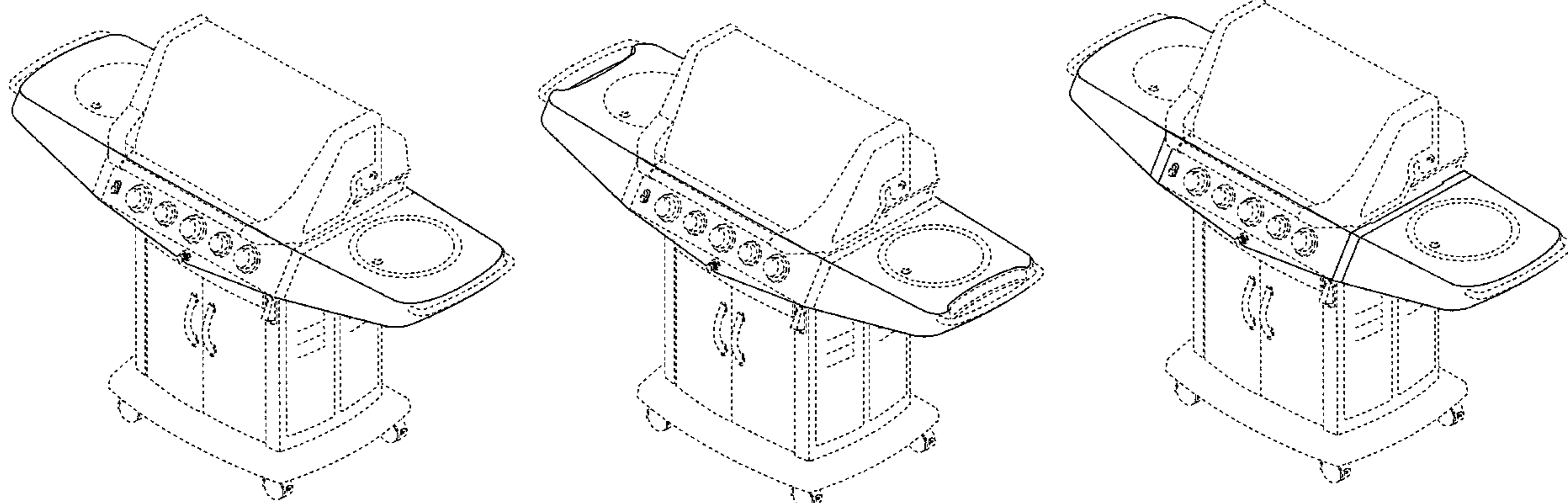
FIG. 10 is a front view of the combined barbeque shelves and console of FIG. 9;

FIG. 11 is a top view of the combined barbeque shelves and console of FIG. 9; and,

FIG. 12 is an end view of the combined barbeque shelves and console of FIG. 9.

The design is shown in solid lines in the drawings. The details shown in broken lines are for illustrative purposes only and form no part of the claimed design.

1 Claim, 12 Drawing Sheets



US D559,619 S

Page 2

U.S. PATENT DOCUMENTS

D406,489 S *	3/1999	Williams et al.	D7/334	D516,367 S *	3/2006	Lutz et al.	D7/335
D435,396 S	12/2000	Wagner		D520,298 S *	5/2006	Huegerich et al.	D7/402
D436,004 S	1/2001	Wagner		D521,308 S *	5/2006	Tseng	D7/334
D436,498 S *	1/2001	Carlson et al.	D7/402	D525,829 S *	8/2006	Chung	D7/402
D462,234 S *	9/2002	Alden et al.	D7/402	D526,842 S *	8/2006	Chung	D7/402
D470,357 S *	2/2003	Home	D7/334	2002/0020303 A1	2/2002	Johnson	
D471,057 S *	3/2003	Chung	D7/334	2002/0020405 A1	2/2002	Coleman et al.	
D472,422 S	4/2003	Pai		2003/0029436 A1	2/2003	Carden et al.	
D472,756 S	4/2003	Pai		2004/0154608 A1	8/2004	Ward et al.	

* cited by examiner

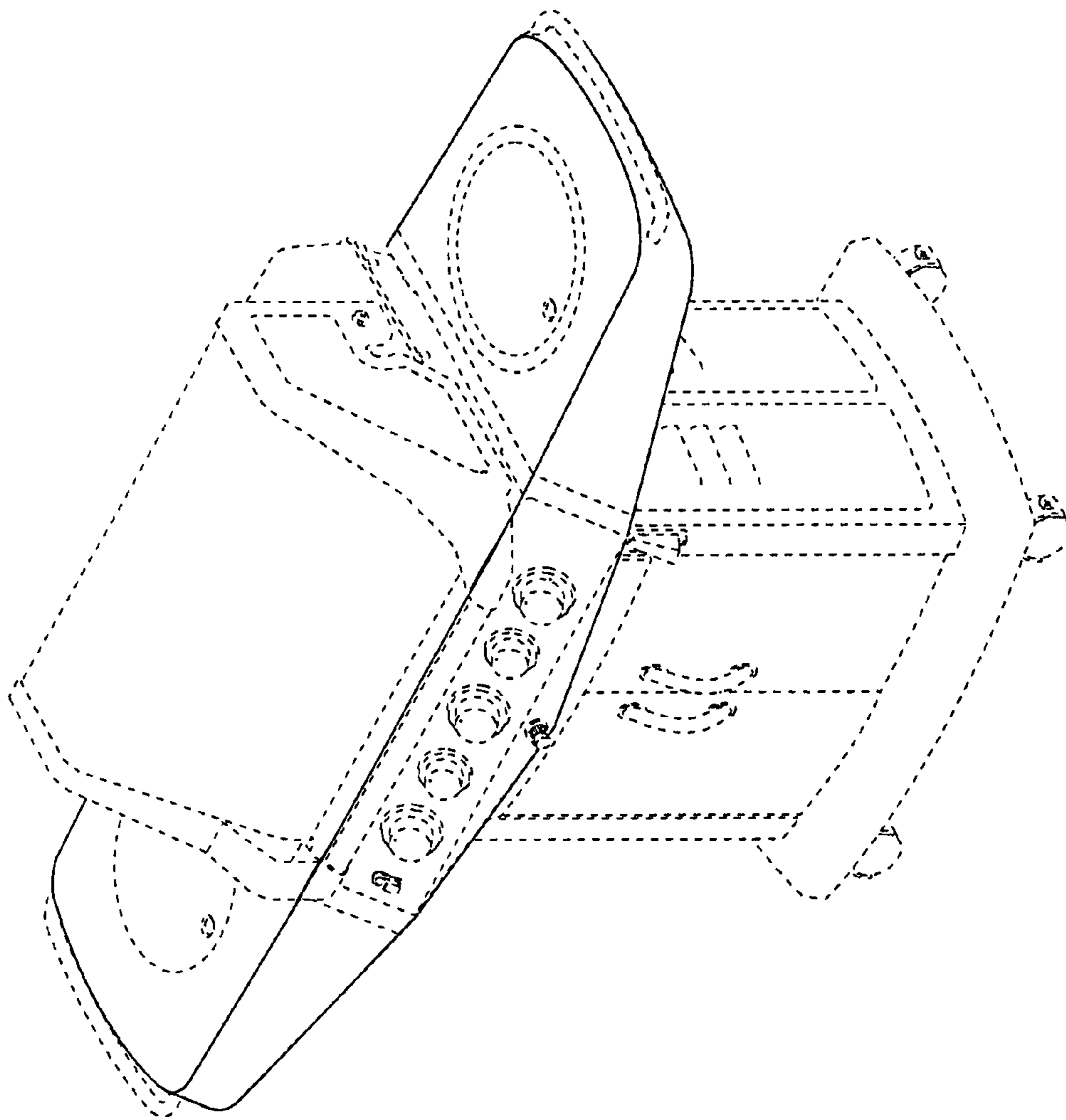


Figure 1

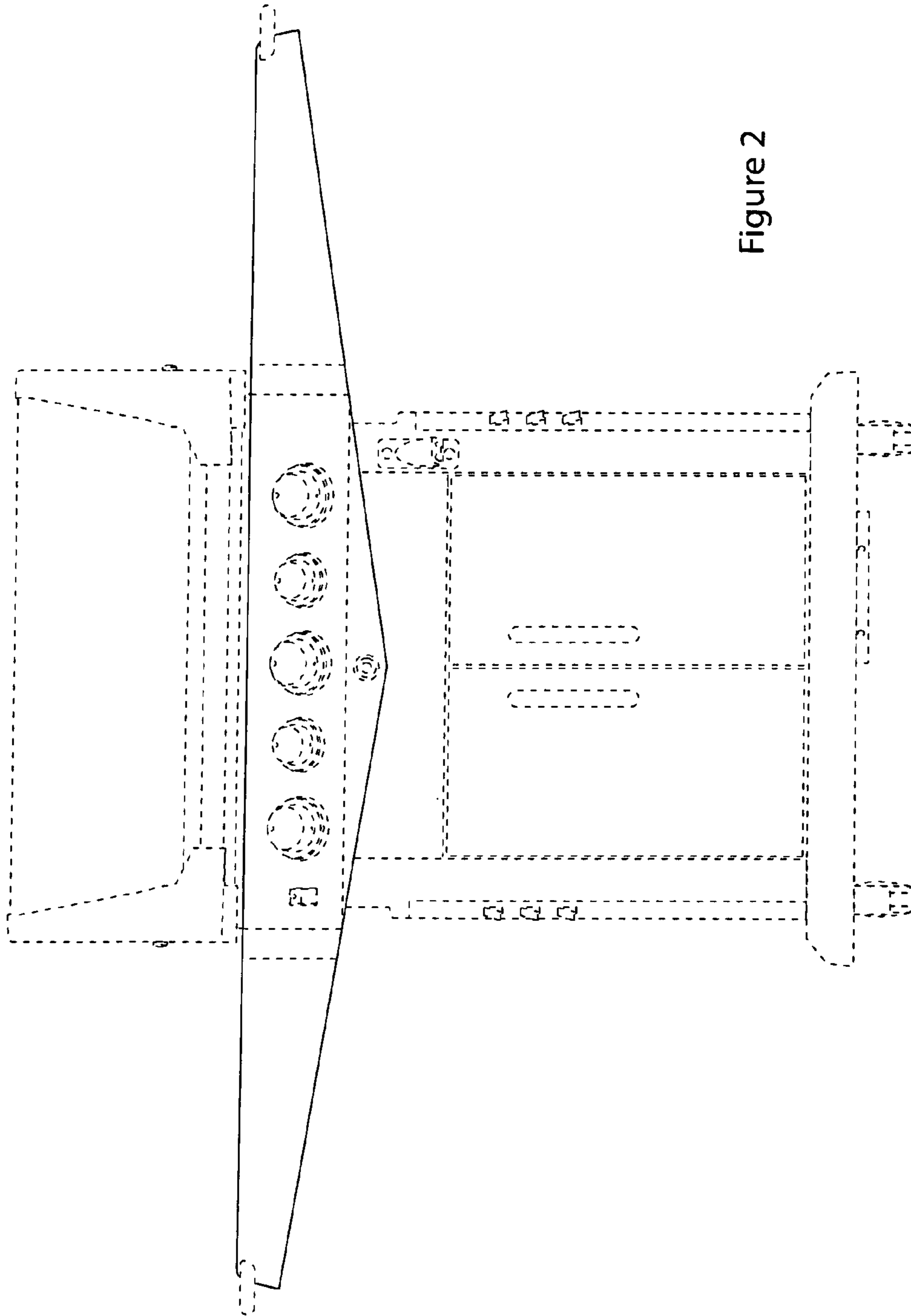


Figure 2

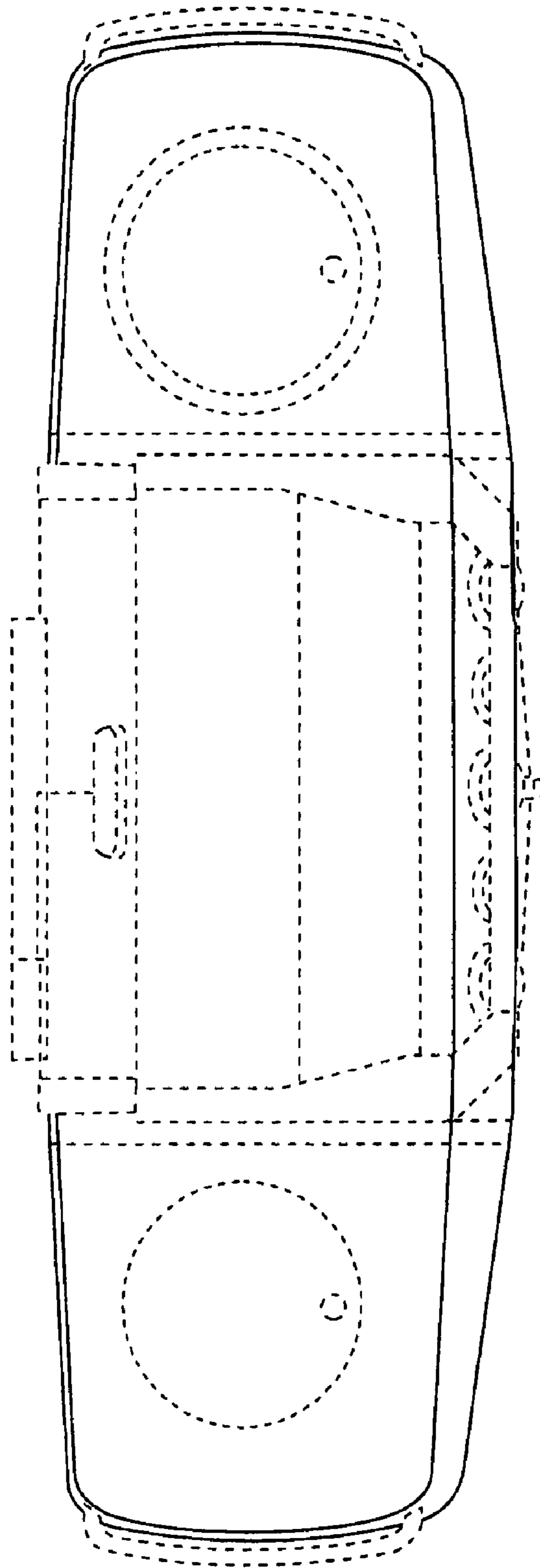


Figure 3

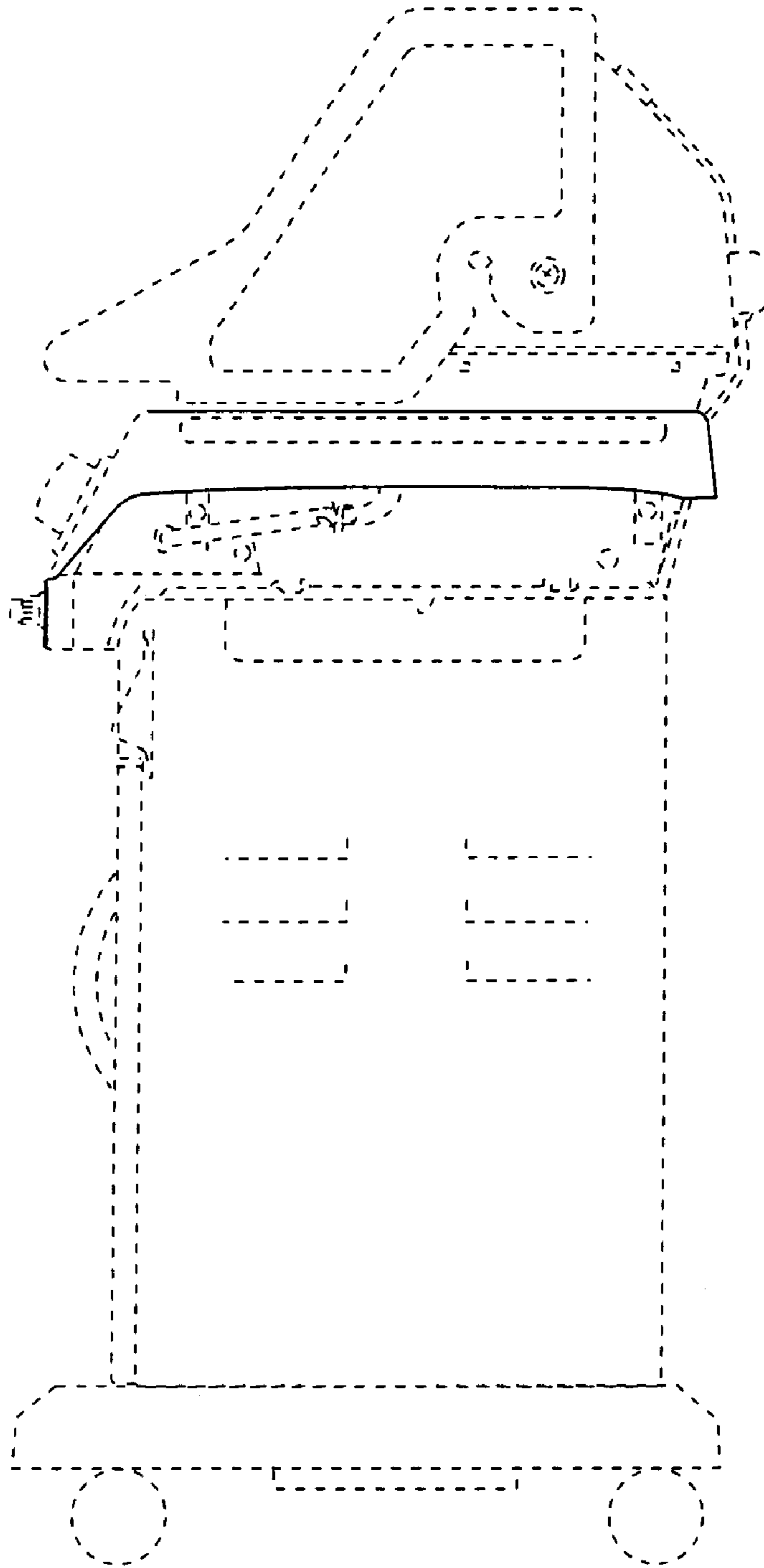


Figure 4

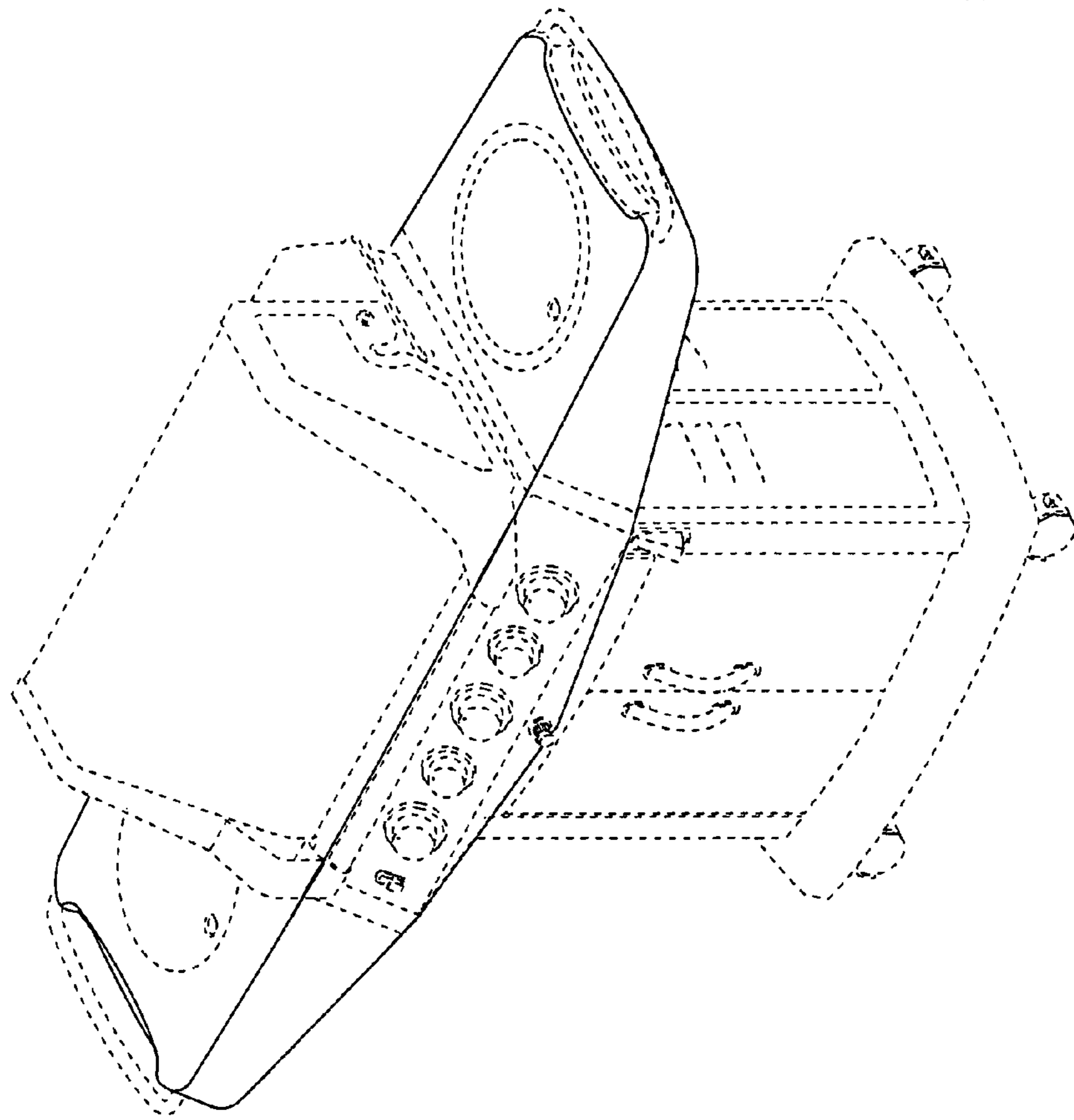


Figure 5

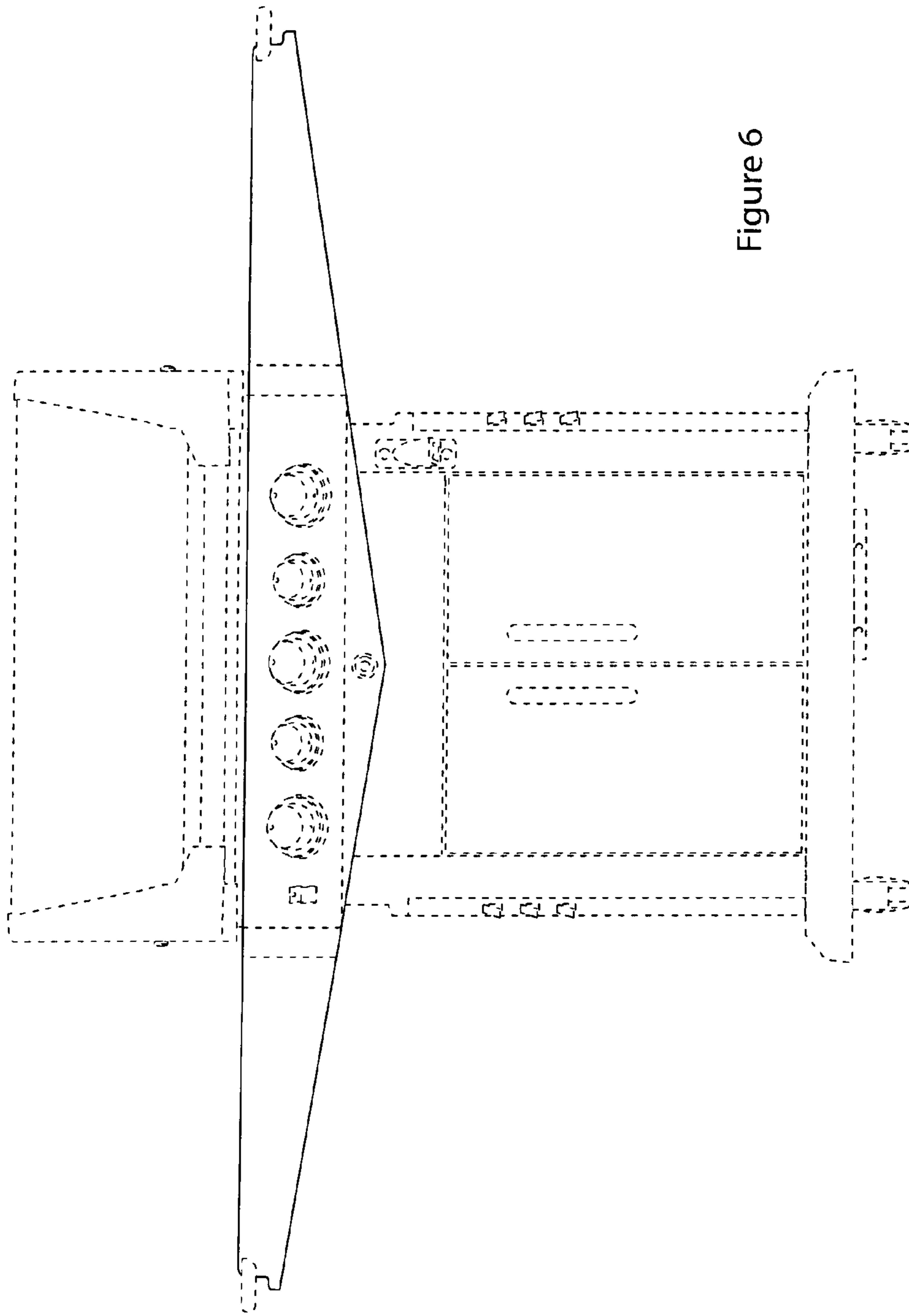


Figure 6

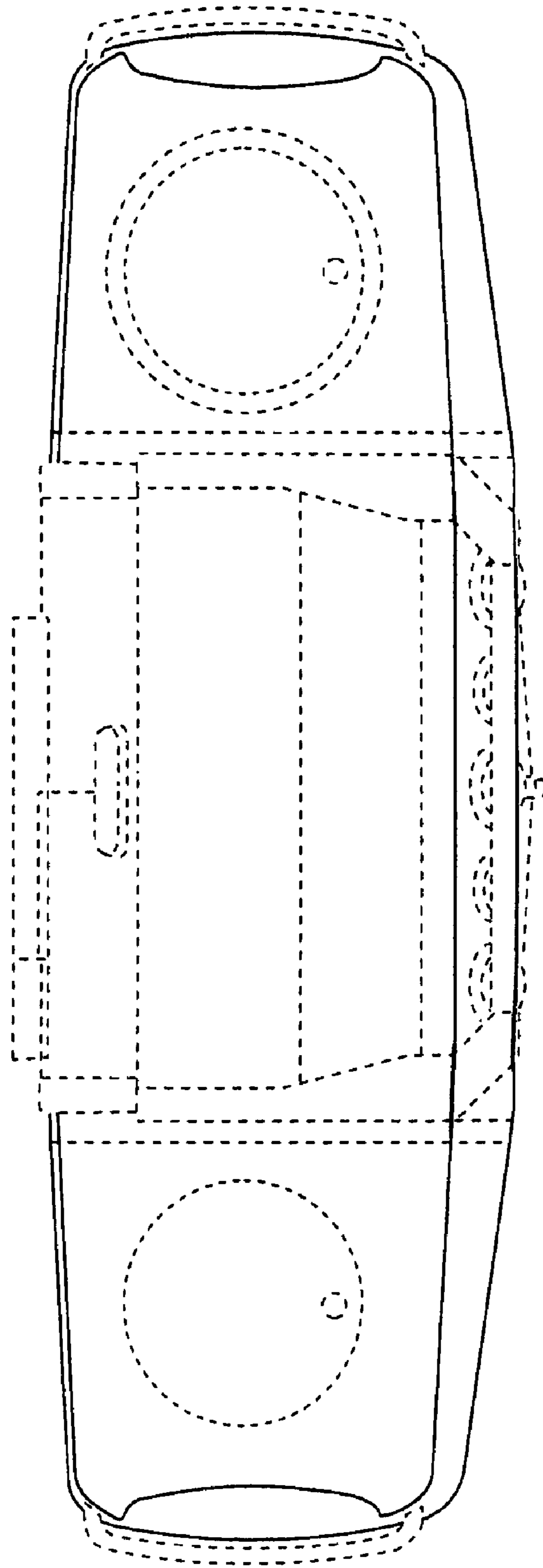


Figure 7

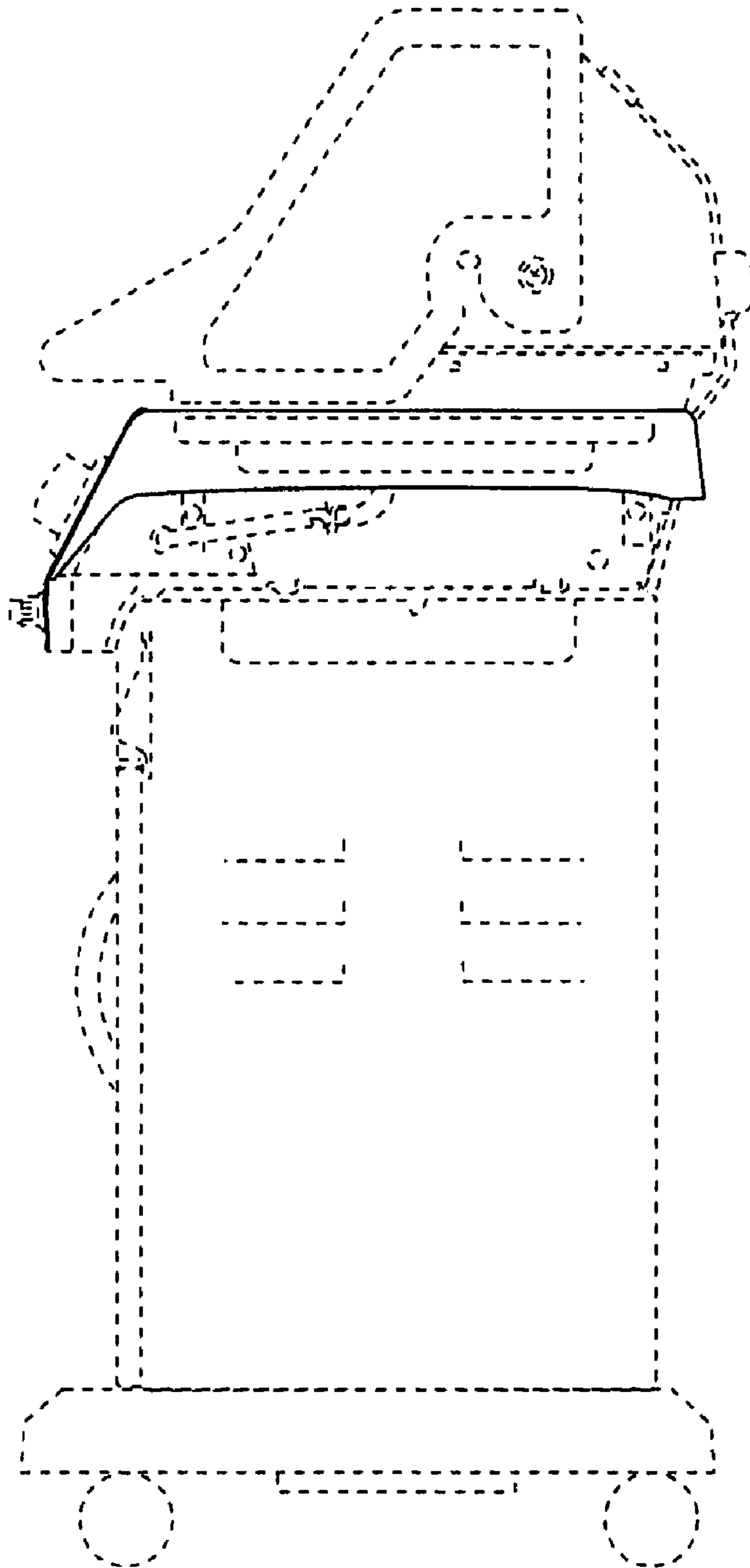


Figure 8

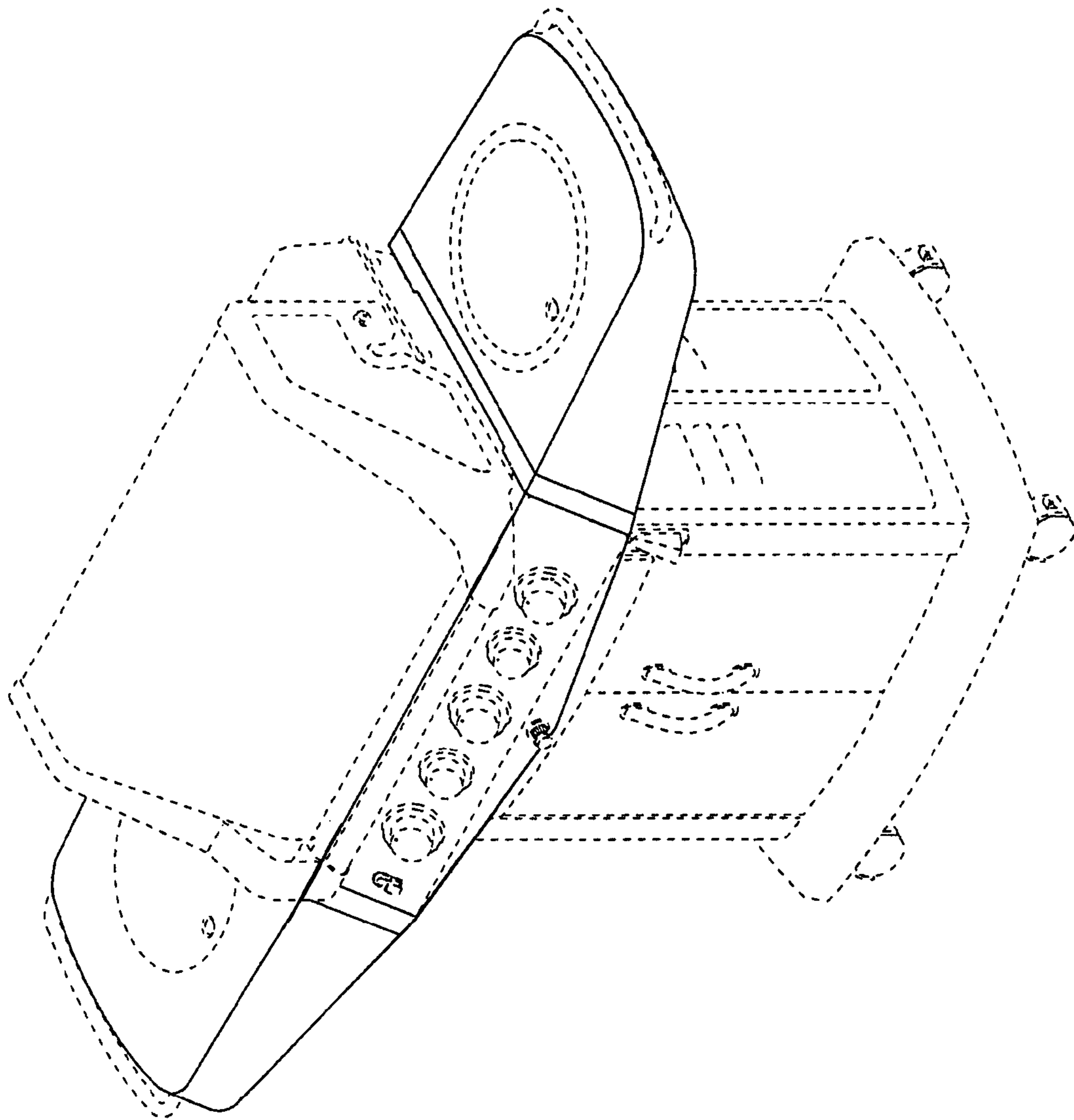


Figure 9

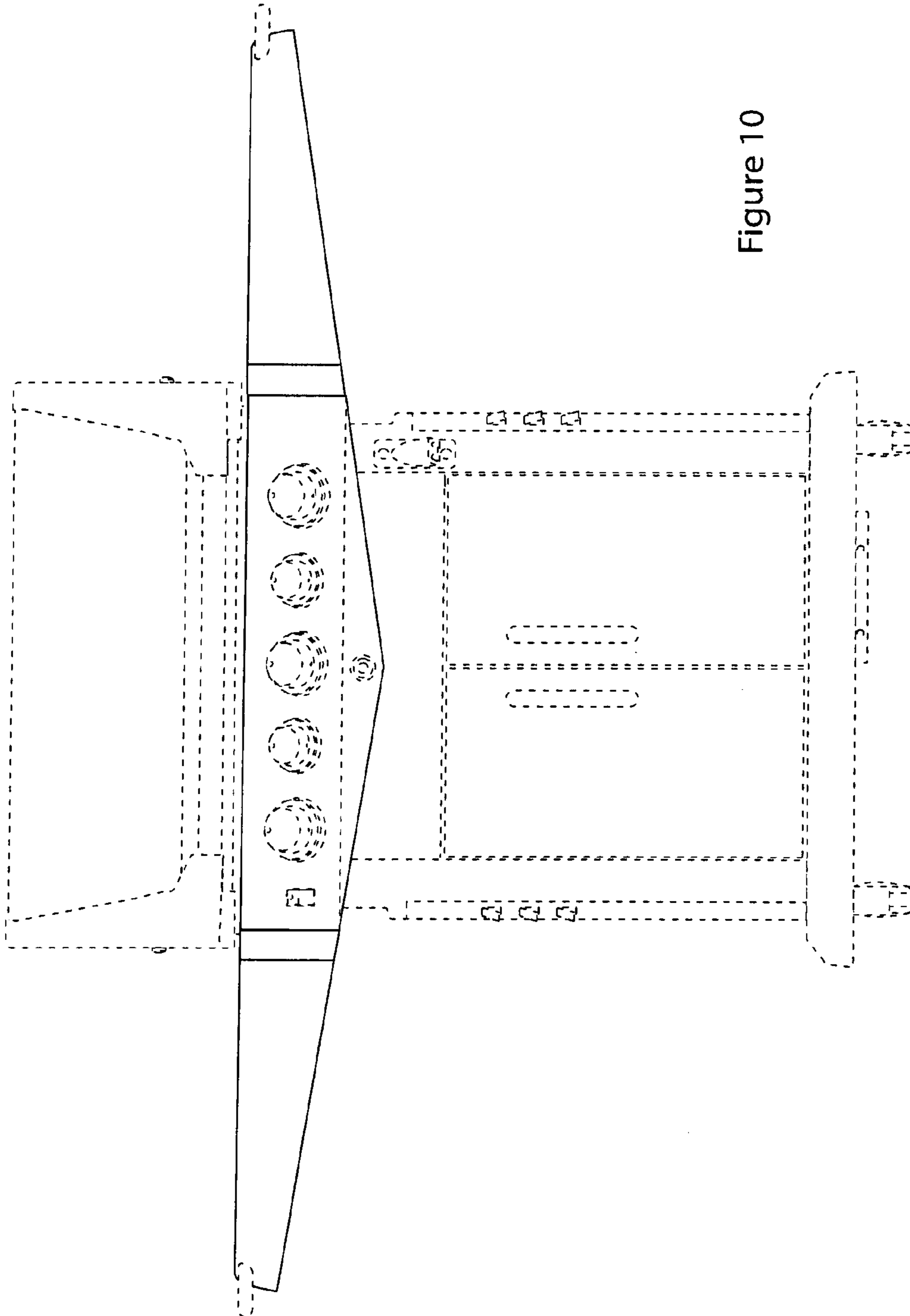


Figure 10



Figure 11

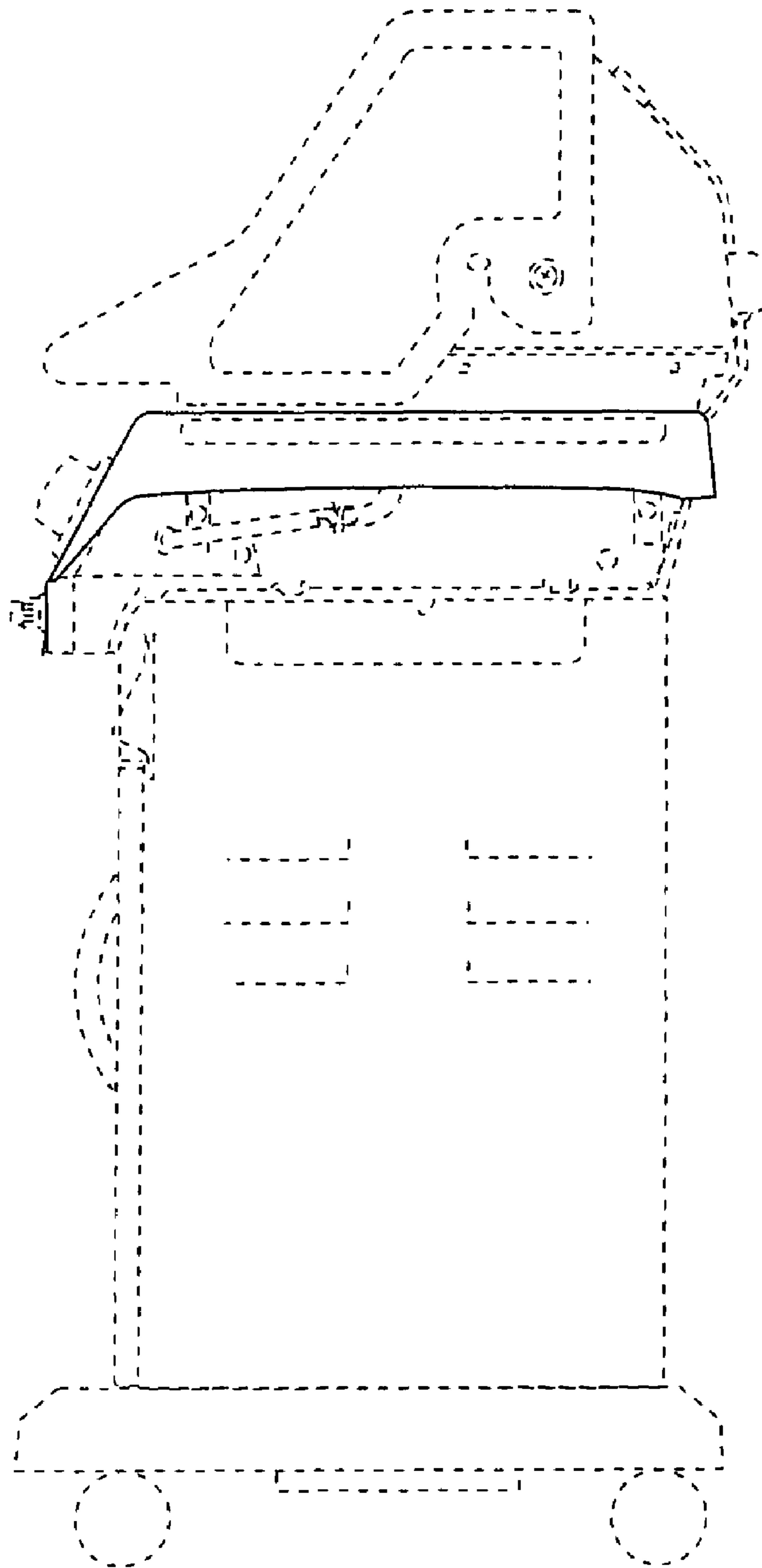


Figure 12