



US00D559614S

(12) **United States Design Patent**  
**Brown**

(10) **Patent No.:** **US D559,614 S**

(45) **Date of Patent:** **\*\* Jan. 15, 2008**

(54) **2 BOWL CHOPPER/PROCESSOR**

(75) Inventor: **Portia Brown**, 205 Foster, Ludington,  
MI (US) 49431

(73) Assignee: **Portia Brown**, Ludington, MI (US)

(\*\*) Term: **14 Years**

(21) Appl. No.: **29/280,262**

(22) Filed: **May 22, 2007**

(51) **LOC (8) Cl.** ..... **31-00**

(52) **U.S. Cl.** ..... **D7/383**

(58) **Field of Classification Search** ..... D7/300.1,  
D7/306, 312-326, 372-386, 412, 413, 665,  
D7/701; D14/413; 62/3.3; 99/327, 509-511;  
219/432; 241/30, 33, 37.5, 166-169.1, 274-278.2,  
241/282.1-282.2, 285.1-285.3, 291, 101.01,  
241/301; 366/64-67, 98, 100, 129, 191,  
366/197-201, 205-207, 219-221, 241-254,  
366/279-292, 325.94, 330.4, 341-349  
See application file for complete search history.

(56) **References Cited**

**U.S. PATENT DOCUMENTS**

D182,689 S \* 4/1958 Rutan ..... D7/386  
3,808,825 A \* 5/1974 Ciurea ..... 62/3.3  
D320,717 S \* 10/1991 O'Brien ..... D7/384

D322,382 S \* 12/1991 Maass ..... D7/384  
D327,391 S \* 6/1992 Maass ..... D7/384  
D330,145 S \* 10/1992 Maass ..... D7/384  
D367,800 S \* 3/1996 Littmann ..... D7/384  
5,895,595 A \* 4/1999 Haden ..... 219/432  
5,941,077 A \* 8/1999 Safyan ..... 62/3.3  
5,990,456 A \* 11/1999 Kilbride ..... 219/432  
D442,443 S \* 5/2001 Perndocaj et al. .... D7/701

\* cited by examiner

*Primary Examiner*—Caron D. Veynar

*Assistant Examiner*—Ricky Pham

(57) **CLAIM**

The ornamental design for a 2 bowl chopper/processor, as shown.

**DESCRIPTION**

FIG. 1 is a perspective view of a 2 bowl chopper/processor showing my new design;

FIG. 2 is a front elevational view of the invention;

FIG. 3 is a rear elevational view of the invention;

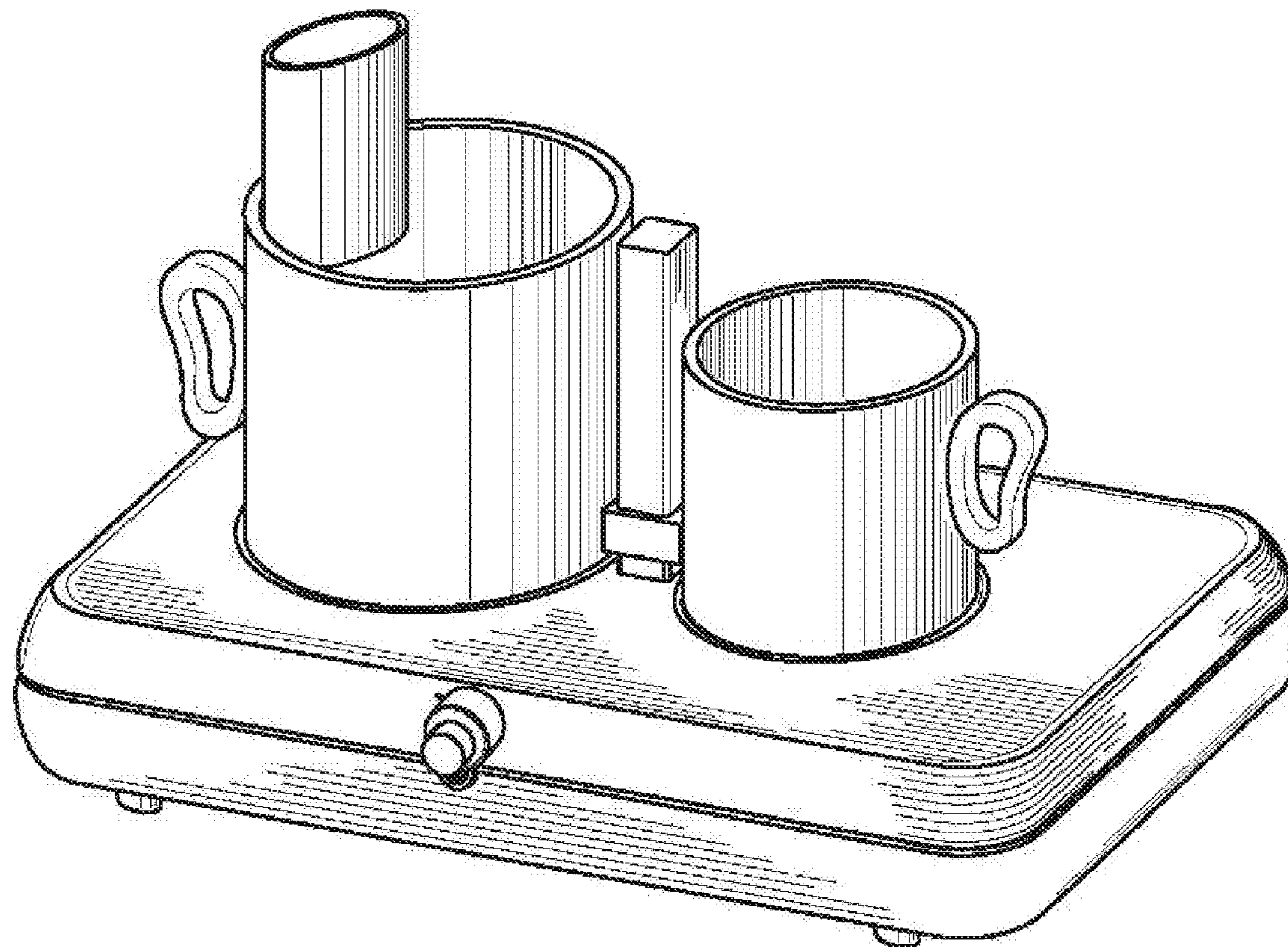
FIG. 4 is a left elevational view of the invention;

FIG. 5 is a right elevational view of the invention;

FIG. 6 is a top plan view of the invention; and,

FIG. 7 is a bottom plan view of the invention.

**1 Claim, 2 Drawing Sheets**



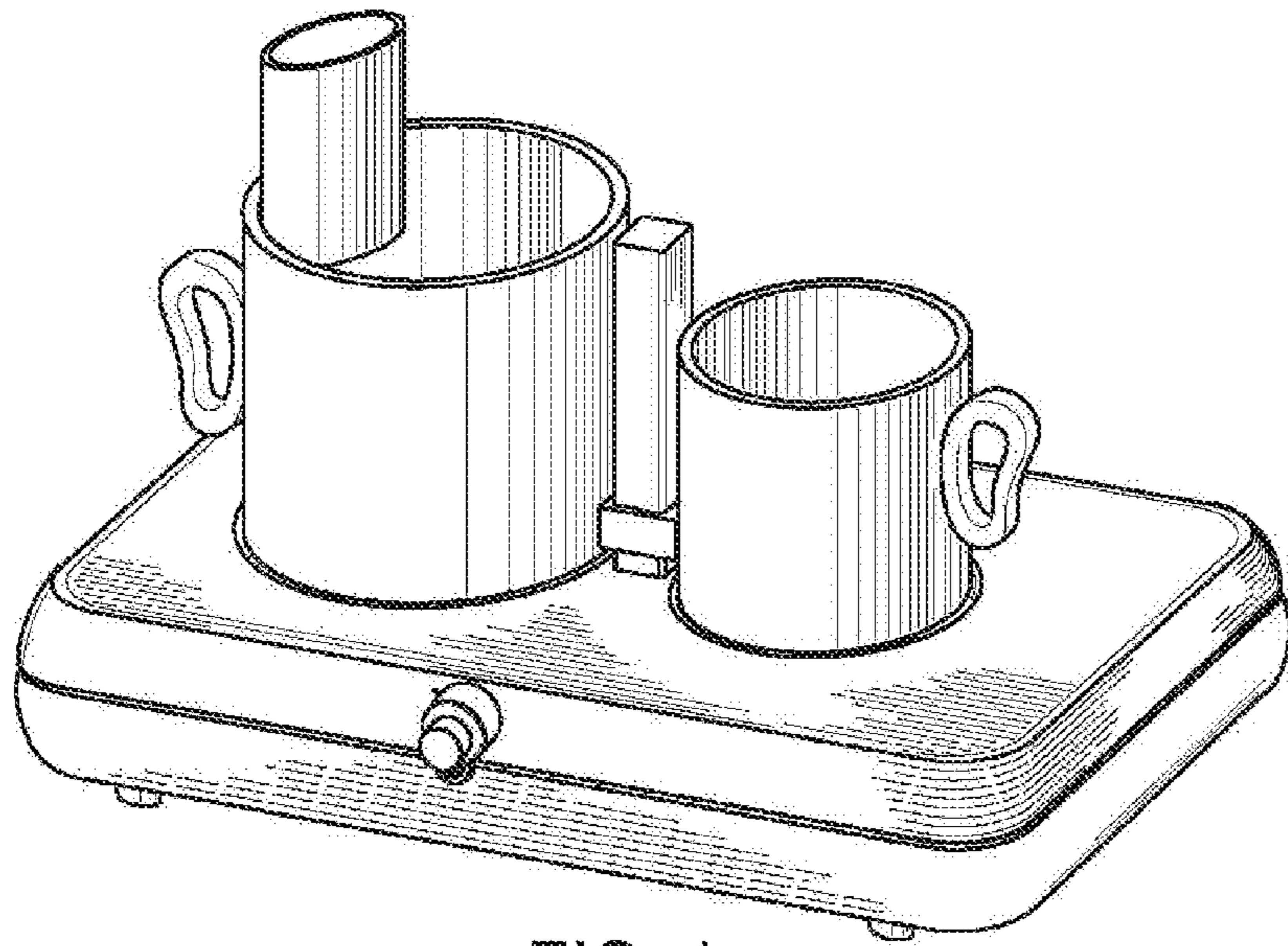


FIG. 1

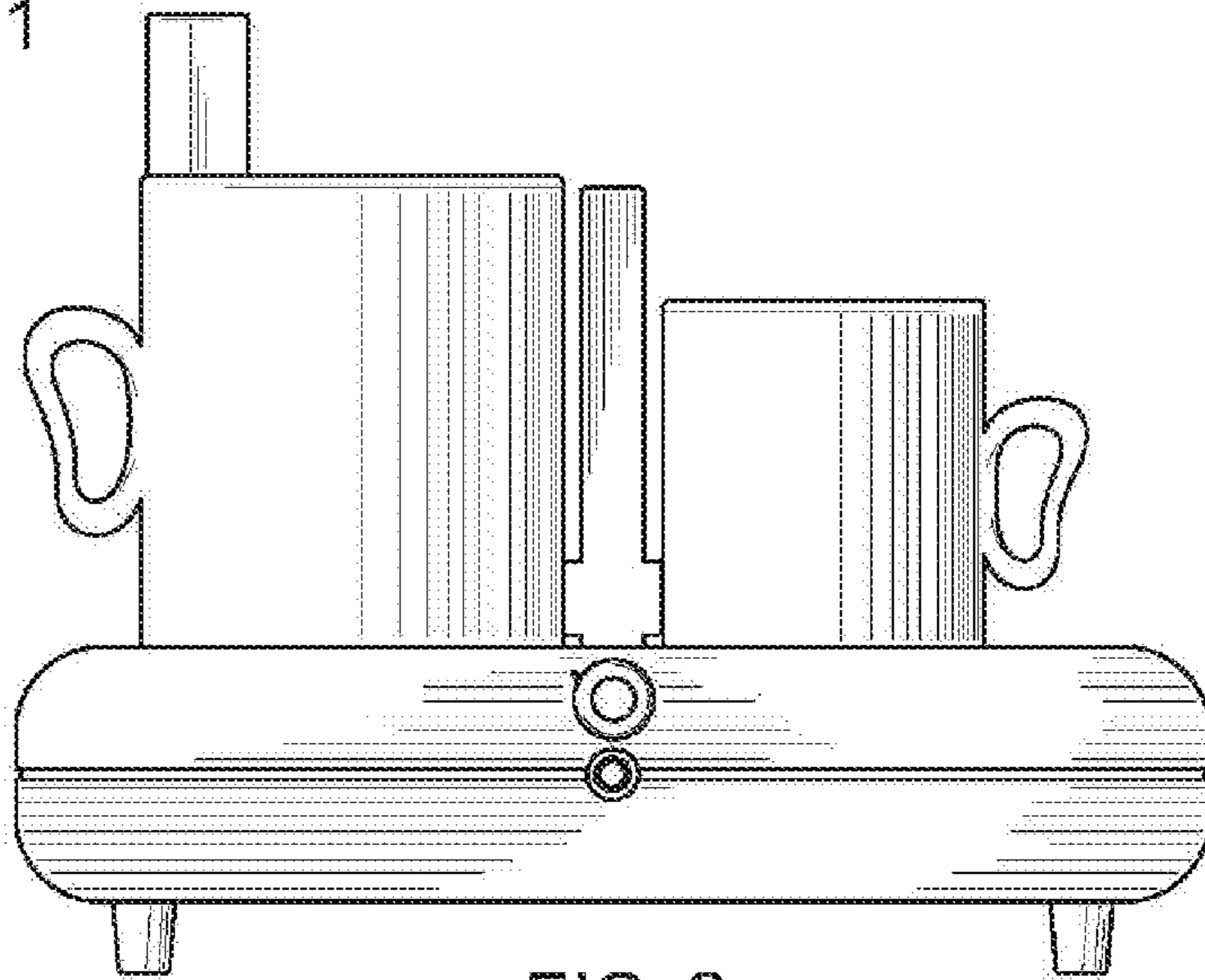


FIG. 2

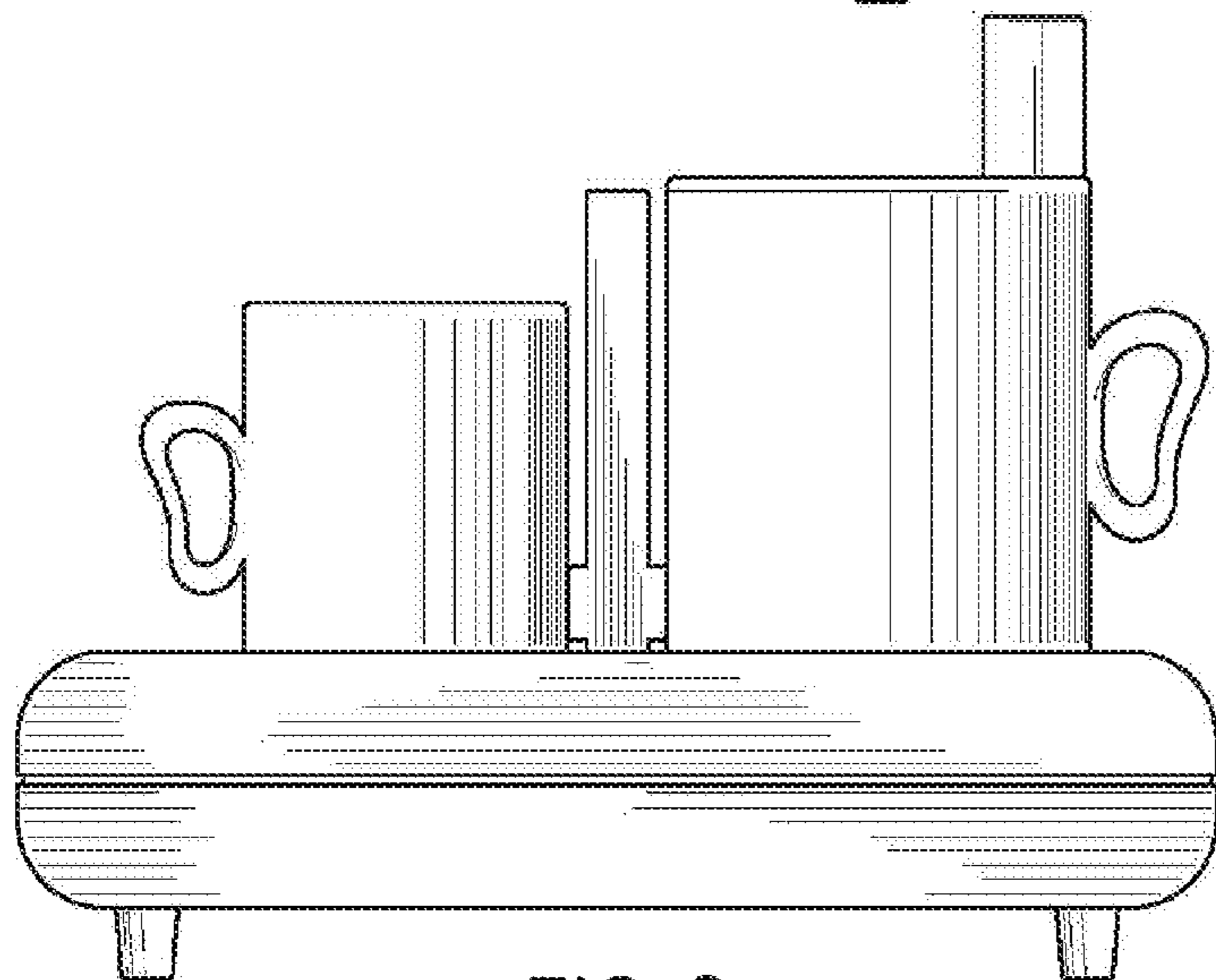


FIG. 3

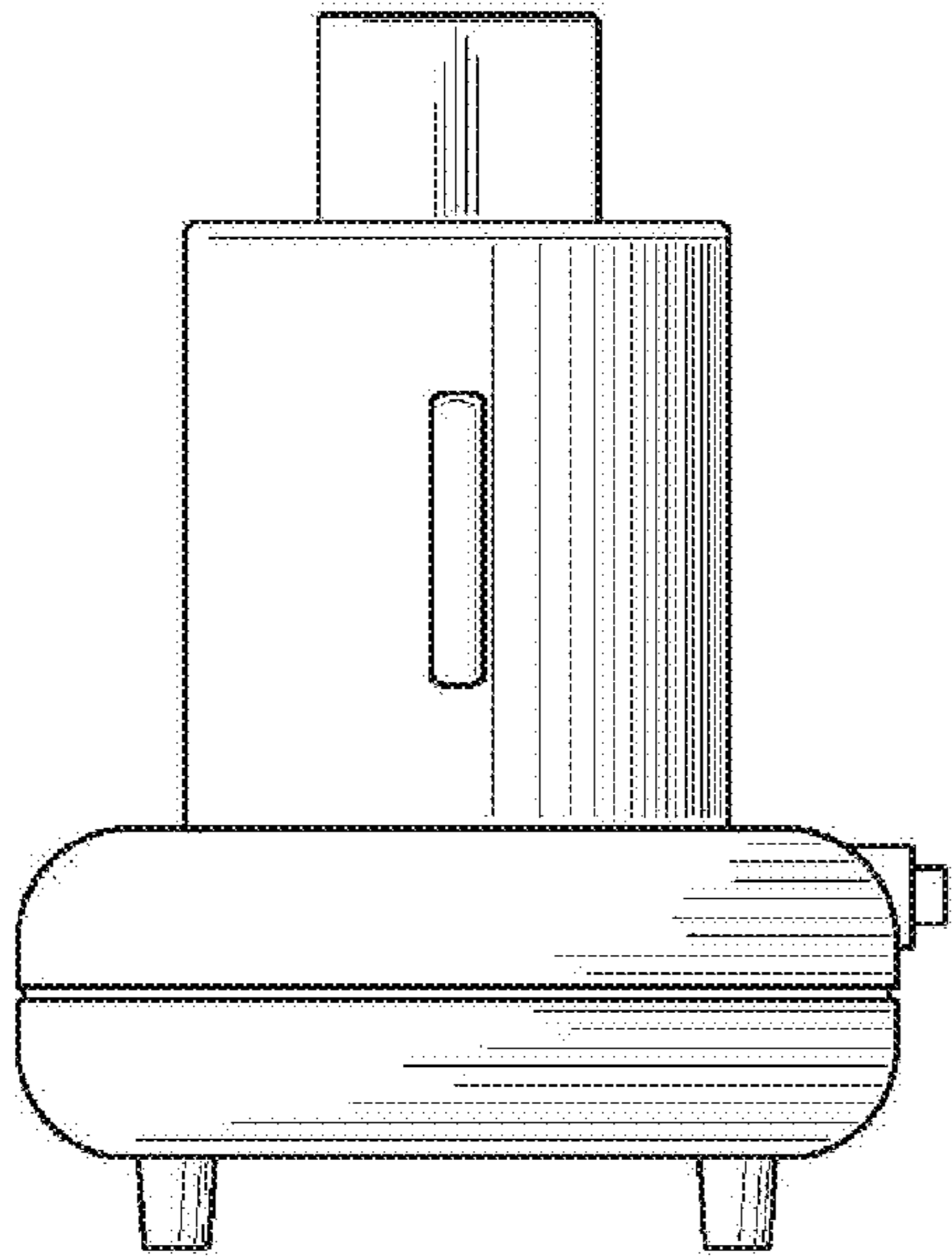


FIG. 4

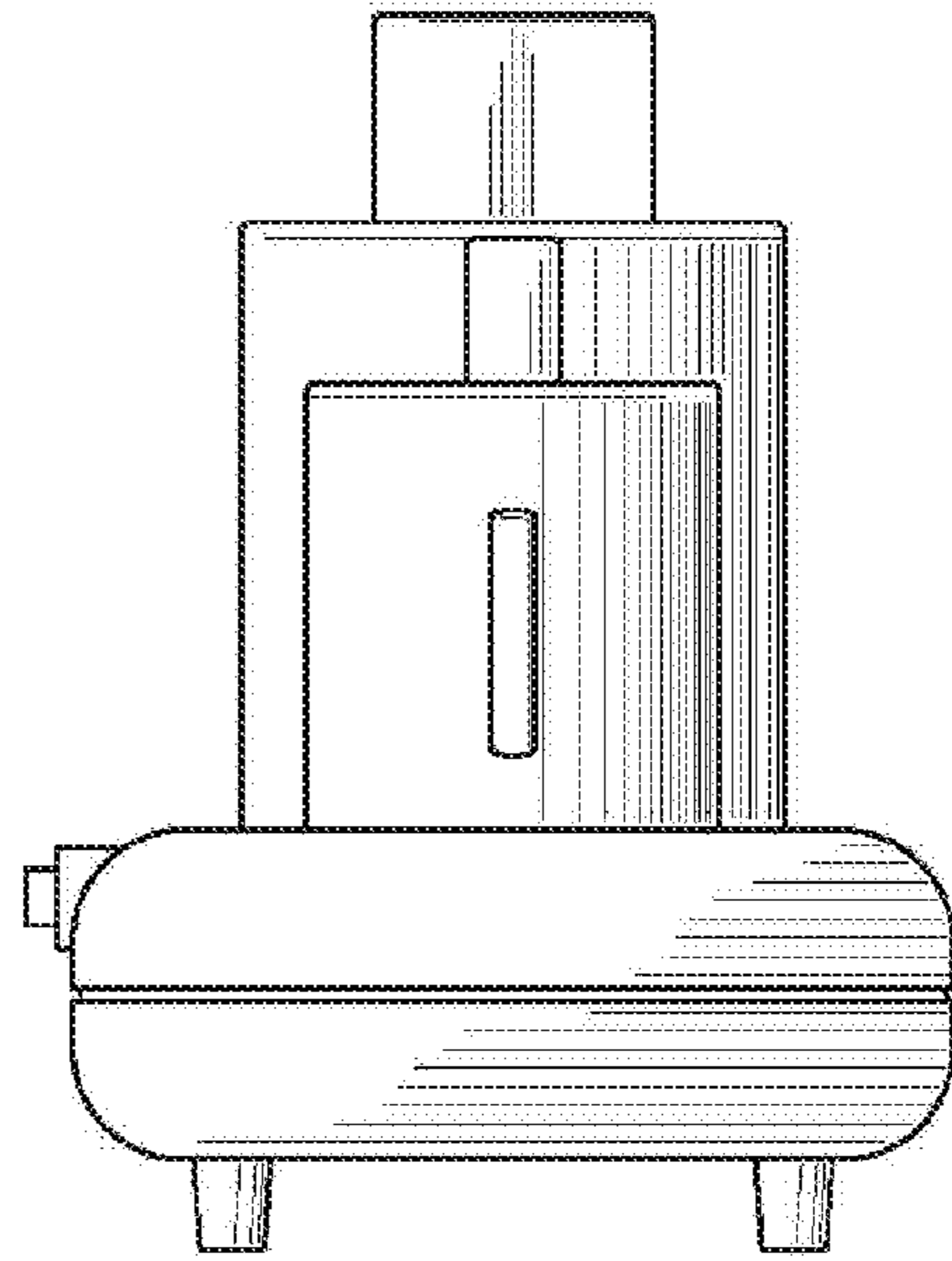


FIG. 5

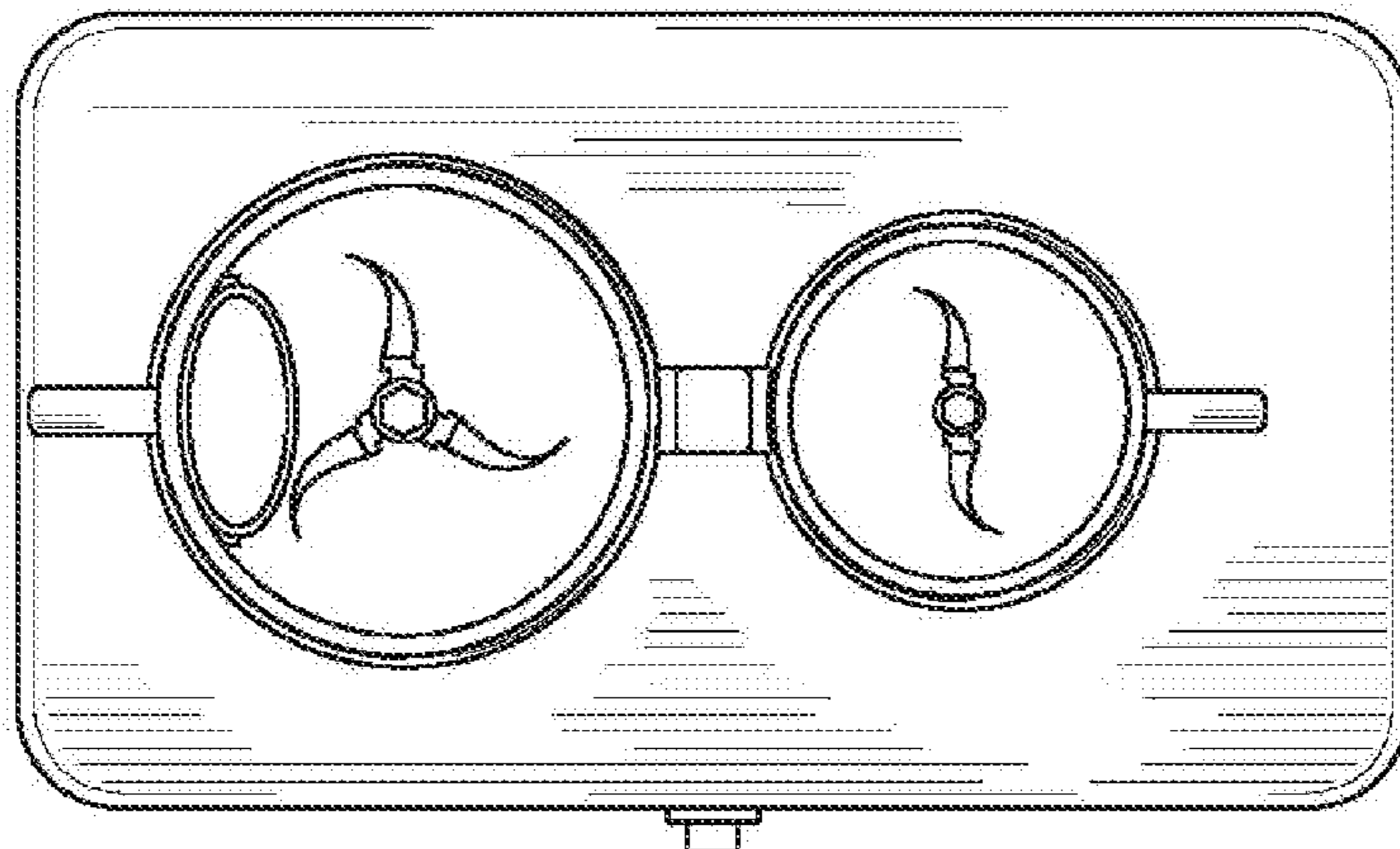


FIG. 6

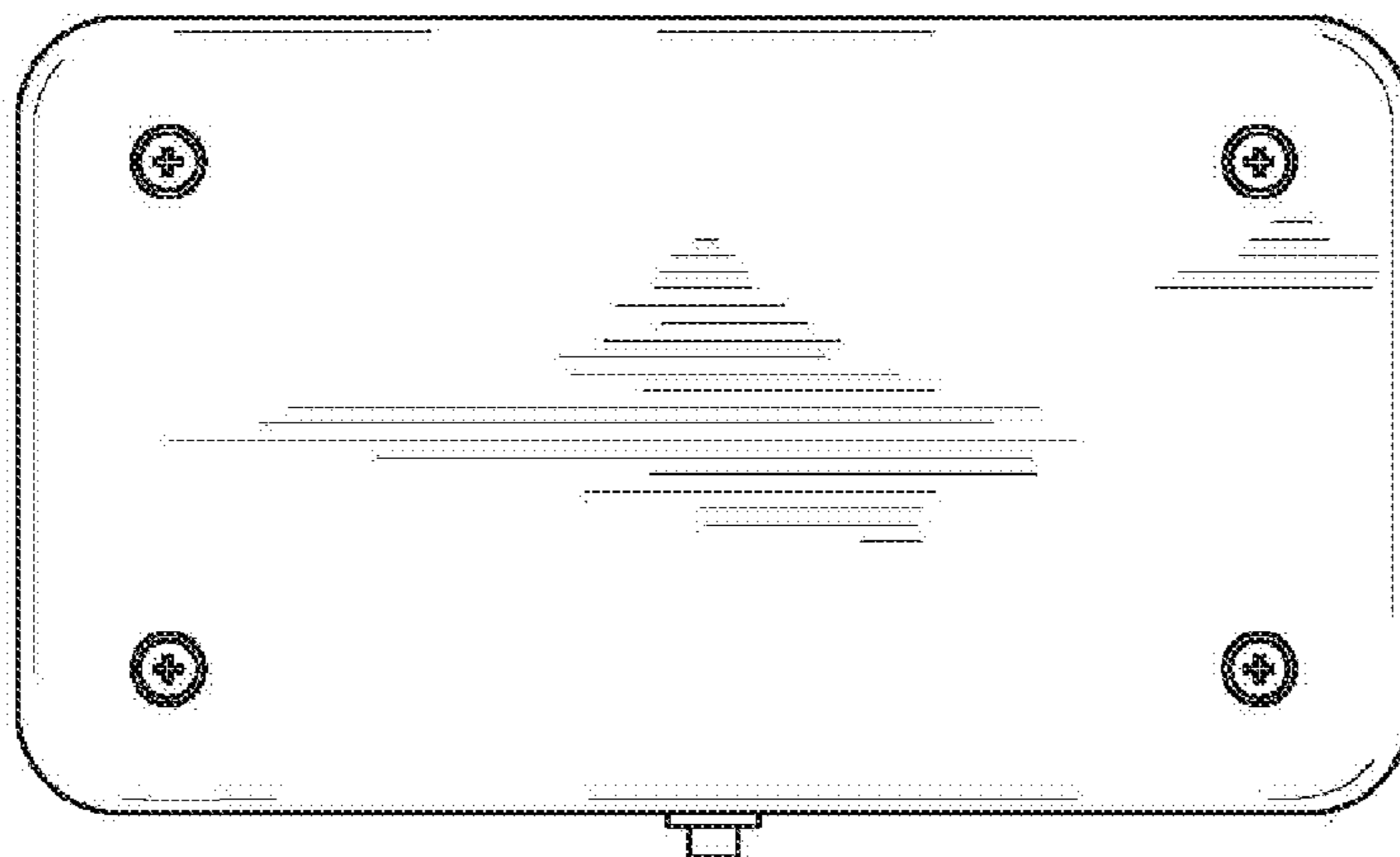


FIG. 7