



US00D559613S

(12) **United States Design Patent**  
**DeMirjian, III**

(10) **Patent No.:** **US D559,613 S**

(45) **Date of Patent:** **\*\* Jan. 15, 2008**

(54) **FOOD SERVING PAN**

(76) **Inventor:** **George C. DeMirjian, III**, 11 LeJune Rd., Cinnaminson, NJ (US) 08077

(\*\*) **Term:** **14 Years**

(21) **Appl. No.:** **29/267,132**

(22) **Filed:** **Oct. 5, 2006**

(51) **LOC (8) Cl.** ..... **07-02**

(52) **U.S. Cl.** ..... **D7/357**

(58) **Field of Classification Search** ..... D7/323,  
D7/393, 354-364, 409, 543-545, 554.1, 554.2,  
D7/550.1, 551.1, 552.1, 553.1, 554.3, 554.4,  
D7/602, 667, 668; 99/324, 339, 400, 410-413,  
99/422, 432, 446, 448; 210/469, 470, 475;  
220/23.2, 23.6, 212.5, 215, 346, 351, 573.1-573.4,  
220/574-575, 641, 912; 294/172  
See application file for complete search history.

(56) **References Cited**

**U.S. PATENT DOCUMENTS**

- 2,188,550 A \* 1/1940 Jackson et al. .... 220/23.2
- 2,218,644 A \* 10/1940 Horak ..... 220/23.6
- 2,305,014 A \* 12/1942 Langel ..... 220/23.6
- 2,357,048 A \* 8/1944 Jackson ..... 220/641
- 3,032,233 A \* 5/1962 Debs ..... 220/23.2
- 4,195,747 A \* 4/1980 Hare ..... 220/23.2

- 5,419,451 A \* 5/1995 Bitel, Jr. .... 220/575
- D432,866 S \* 10/2000 Harrison ..... D7/545
- 6,412,402 B1 \* 7/2002 Griffin ..... 99/432
- D517,366 S \* 3/2006 Oztiryaki ..... D7/354
- D528,376 S \* 9/2006 Munson et al. .... D7/667
- D541,585 S \* 5/2007 Lee ..... D7/364

\* cited by examiner

*Primary Examiner*—Caron D. Veynar

*Assistant Examiner*—Ricky Pham

(74) *Attorney, Agent, or Firm*—Norman E. Lehrer

(57) **CLAIM**

The ornamental design for a “food serving pan,” as shown and described.

**DESCRIPTION**

FIG. 1 is a left side elevational view of a “food serving pan” showing my new design, the right side being a mirror image thereof;

FIG. 2 is a top plan view thereof;

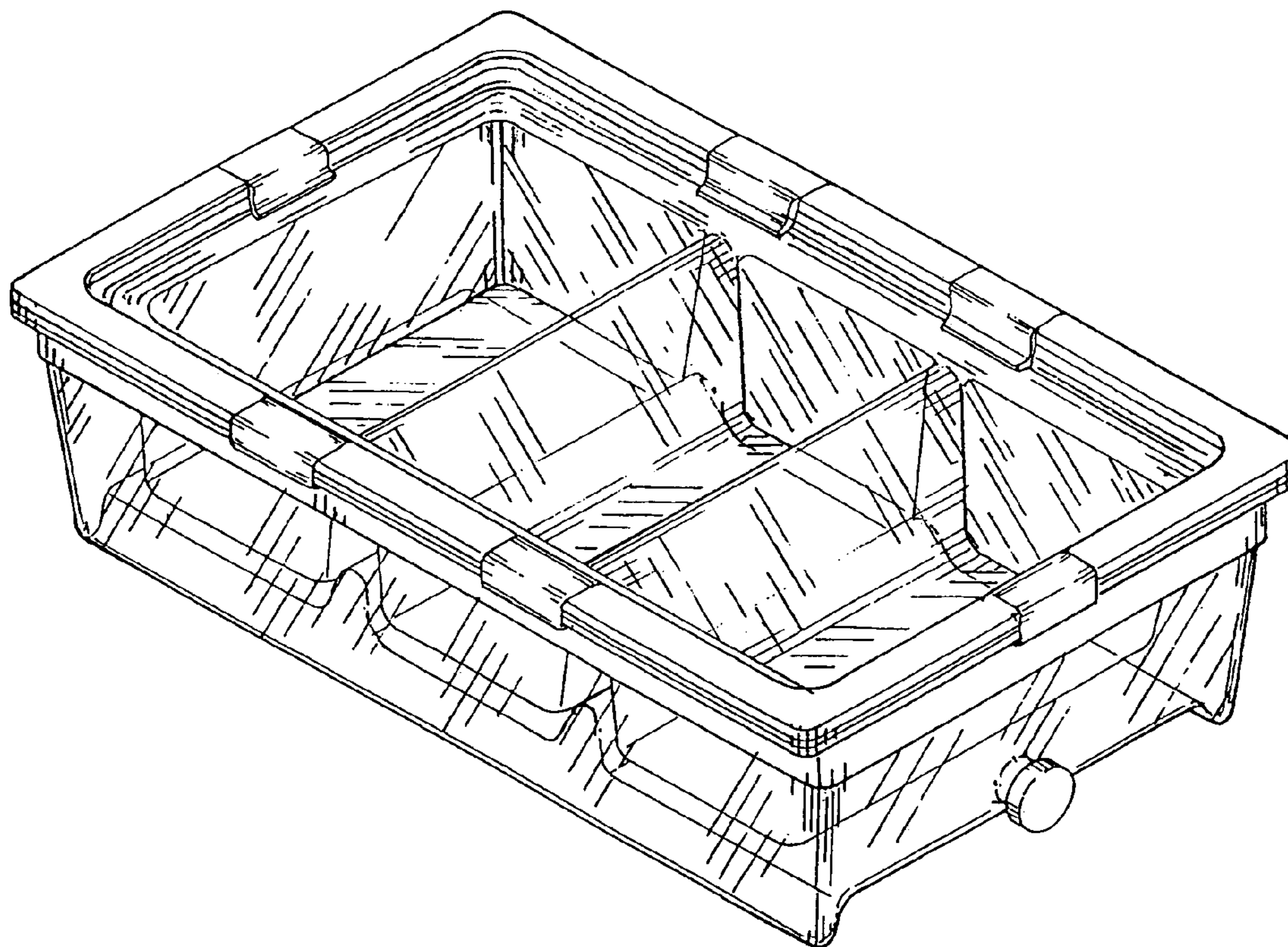
FIG. 3 is a rear elevational view thereof;

FIG. 4 is a bottom plan view thereof;

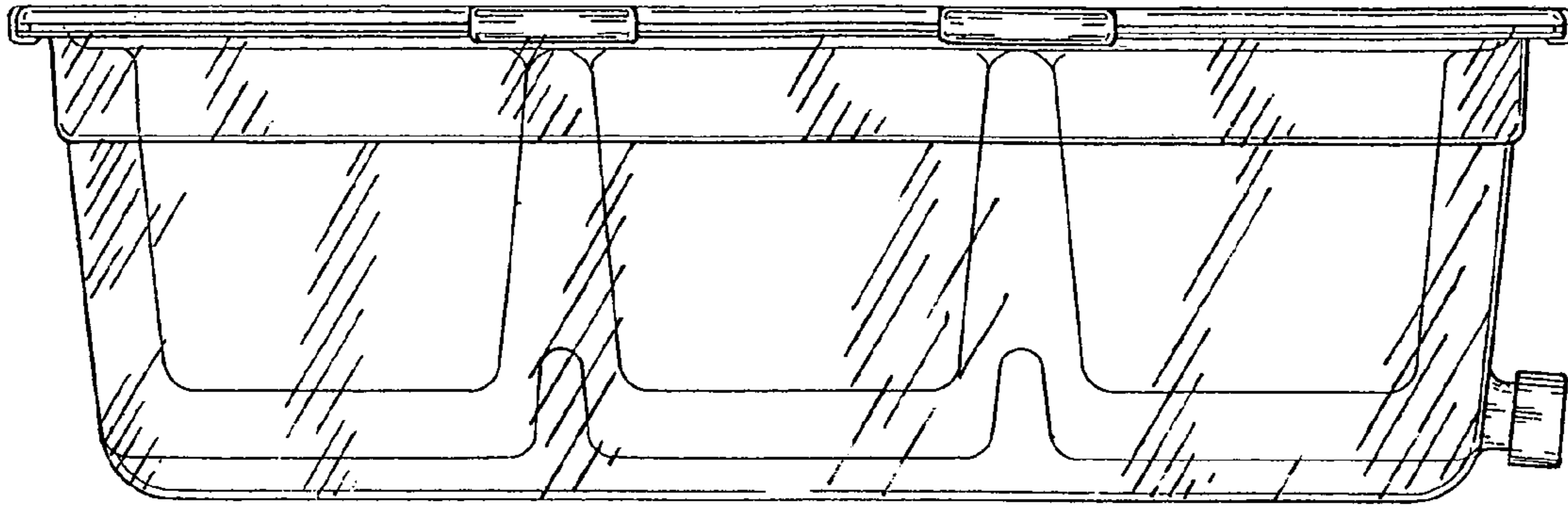
FIG. 5 is a front elevational view thereof; and,

FIG. 6 is a perspective view thereof.

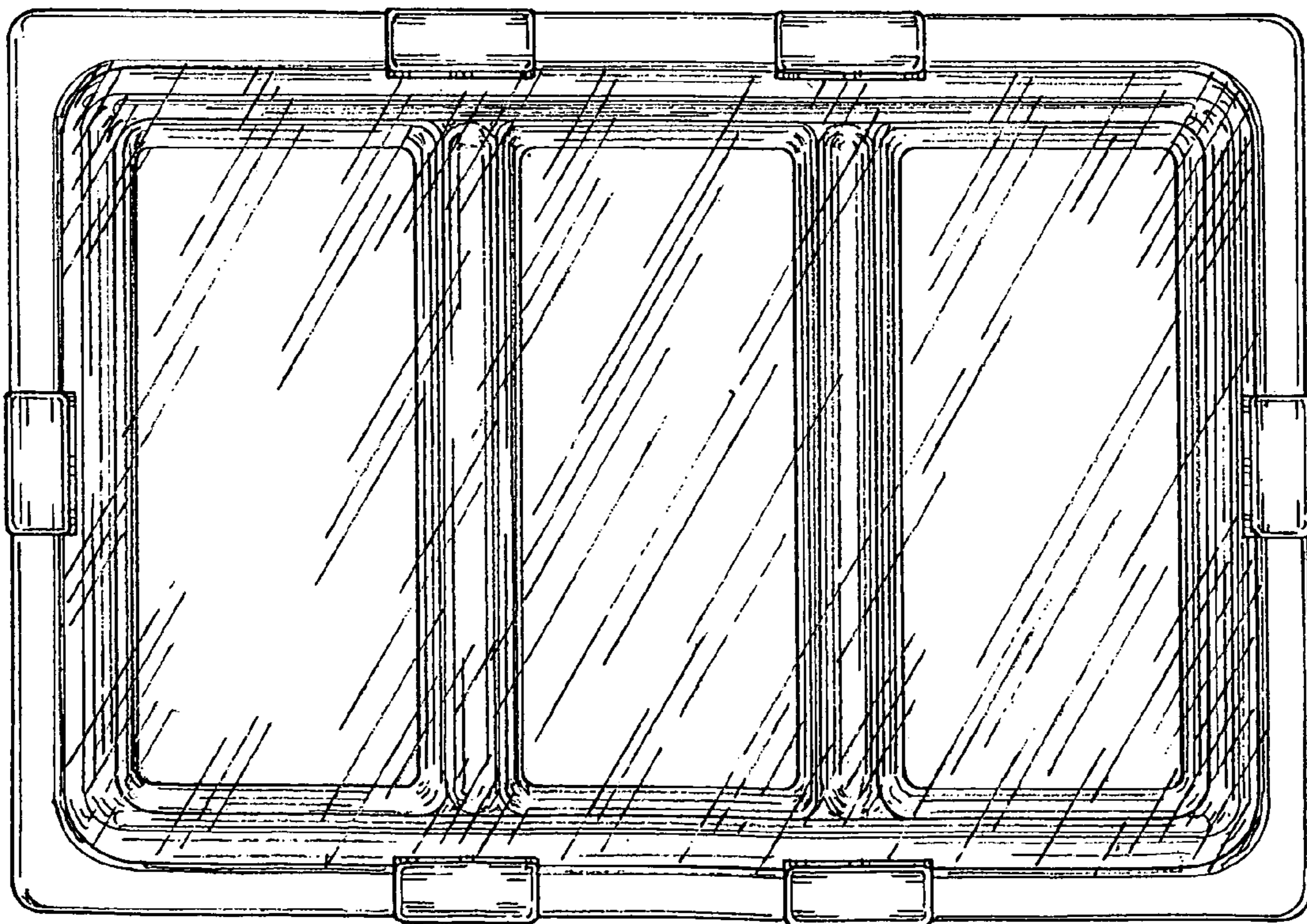
**1 Claim, 3 Drawing Sheets**



*Fig. 1*

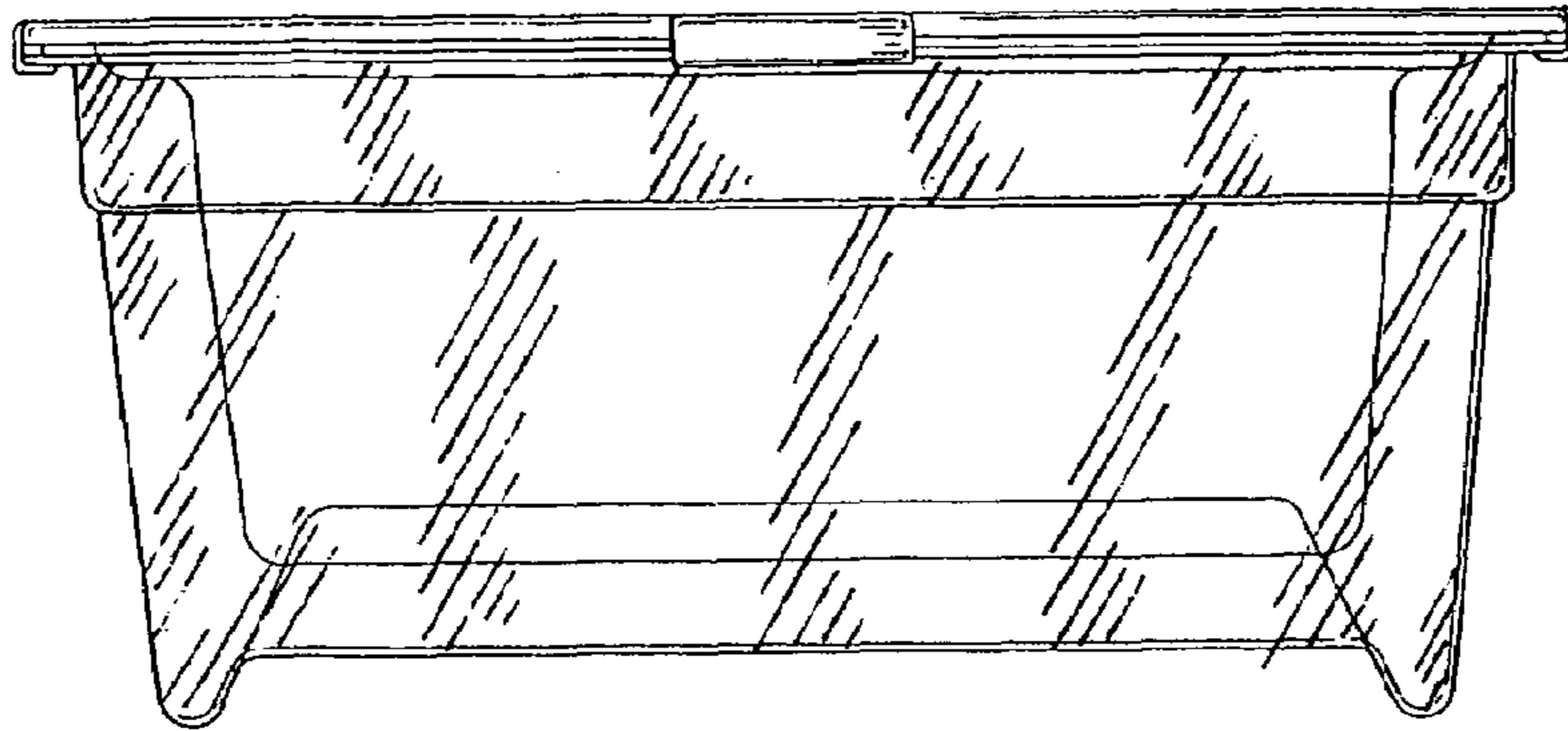


*Fig. 2*

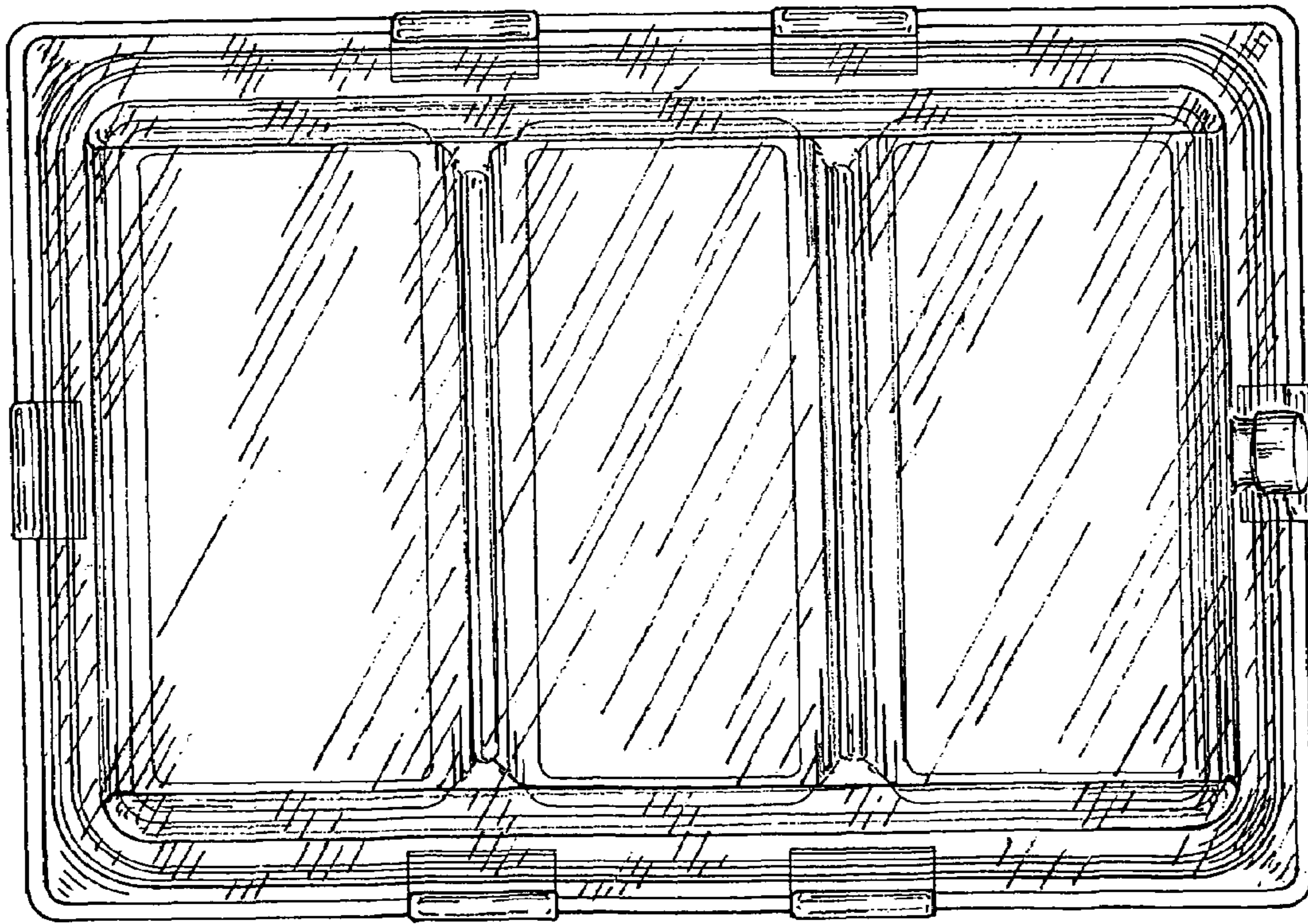




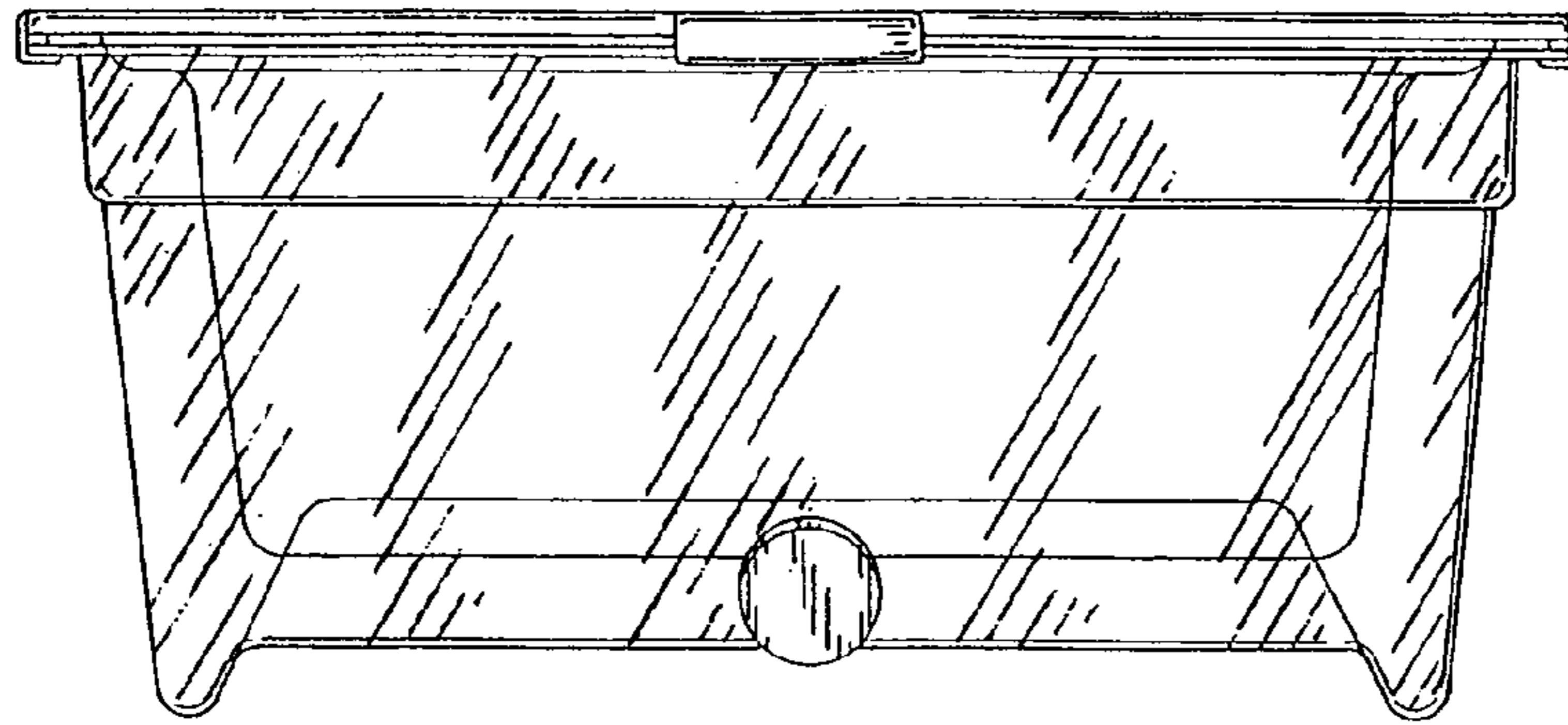
*Fig. 3*



*Fig. 4*



*Fig. 5*



*Fig. 6*

