



US00D559612S

(12) **United States Design Patent**
Yount

(10) **Patent No.:** **US D559,612 S**
(45) **Date of Patent:** **** Jan. 15, 2008**

(54) **BARBEQUE GRILL WITH FOOTBALL HELMET SHAPED COVER**

(76) Inventor: **David Yount**, 2029 Gayle Pl., Clearwater, FL (US) 33763

(**) Term: **14 Years**

(21) Appl. No.: **29/268,147**

(22) Filed: **Oct. 31, 2006**

(51) **LOC (8) Cl.** **07-02**

(52) **U.S. Cl.** **D7/334**

(58) **Field of Classification Search** D7/332,
D7/334-337, 402-404; D29/103, 105-107;
D21/707, 713-714; 473/598; 446/153;
126/25 R, 25 A, 25 AA, 37 R, 38, 41 R,
126/40, 39 B, 268, 276, 9 R; 99/449, 481,
99/482

See application file for complete search history.

(56) **References Cited**

U.S. PATENT DOCUMENTS

- D270,606 S * 9/1983 McCrary et al. D7/334
- D312,746 S * 12/1990 Lutter D7/337
- D324,153 S * 2/1992 Wood D7/402
- D325,319 S * 4/1992 Zilber et al. D7/337
- D326,583 S * 6/1992 Lutter et al. D7/332

- D358,527 S * 5/1995 Danielson et al. D7/332
- D373,047 S * 8/1996 McCrary et al. D7/334
- D397,580 S * 9/1998 Dunn et al. D7/402
- D461,359 S * 8/2002 Coleman et al. D7/334
- D481,255 S * 10/2003 Mak D7/332
- D516,365 S * 3/2006 Baris et al. D7/332
- D537,669 S * 3/2007 Loving D7/332

* cited by examiner

Primary Examiner—Ruth McInroy

(74) *Attorney, Agent, or Firm*—Stanley M. Miller

(57) **CLAIM**

The ornamental design for a barbeque grill with football helmet shaped cover, as shown and described.

DESCRIPTION

FIG. 1 is a front elevational view of a barbeque grill with football helmet shaped cover, showing my new design;

FIG. 2 is a rear elevational view thereof;

FIG. 3 is a left side elevational view thereof;

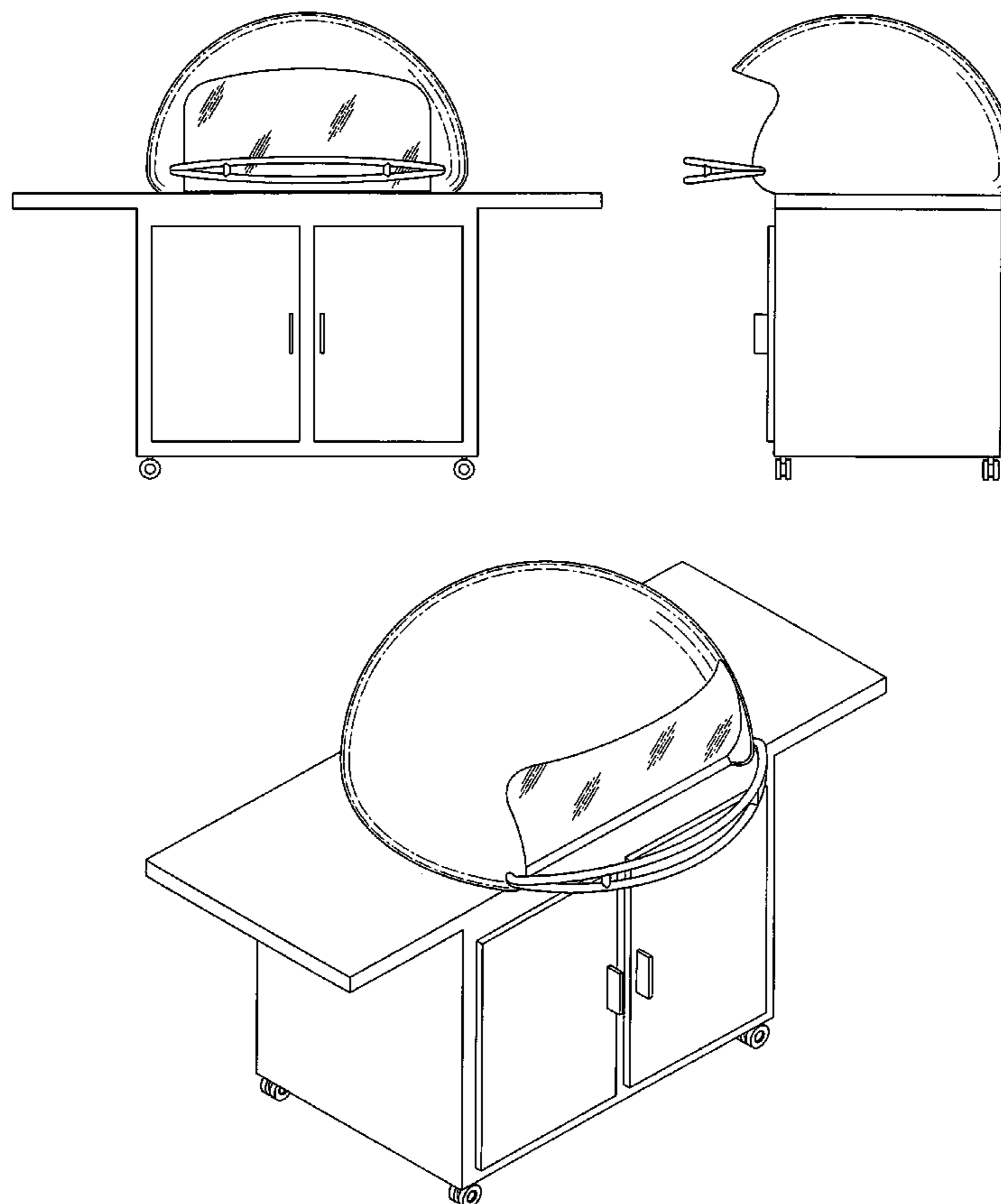
FIG. 4 is a right side elevational view thereof;

FIG. 5 is a top plan view thereof;

FIG. 6 is a bottom plan view thereof; and,

FIG. 7 is a perspective view thereof.

1 Claim, 4 Drawing Sheets



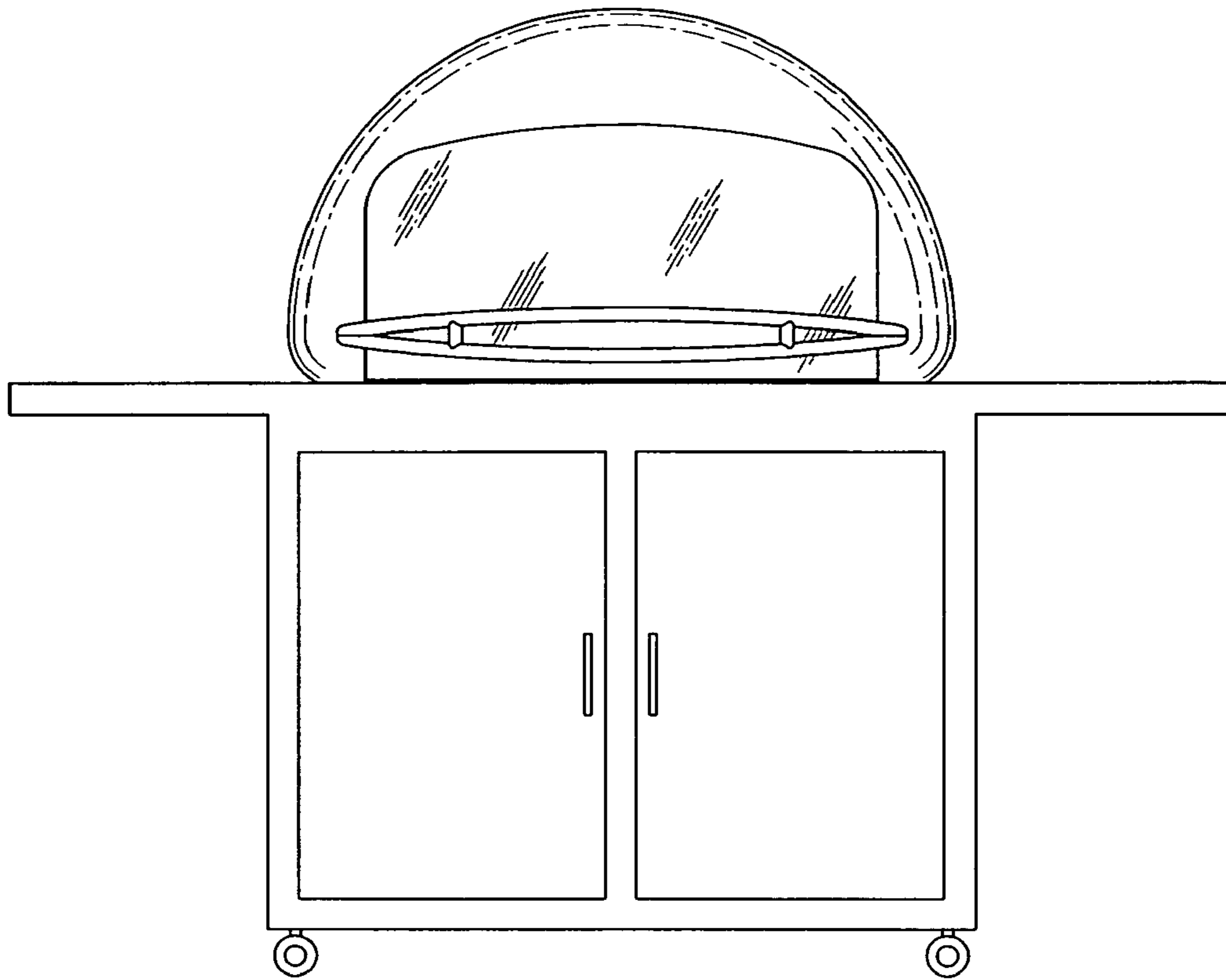


FIG. 1

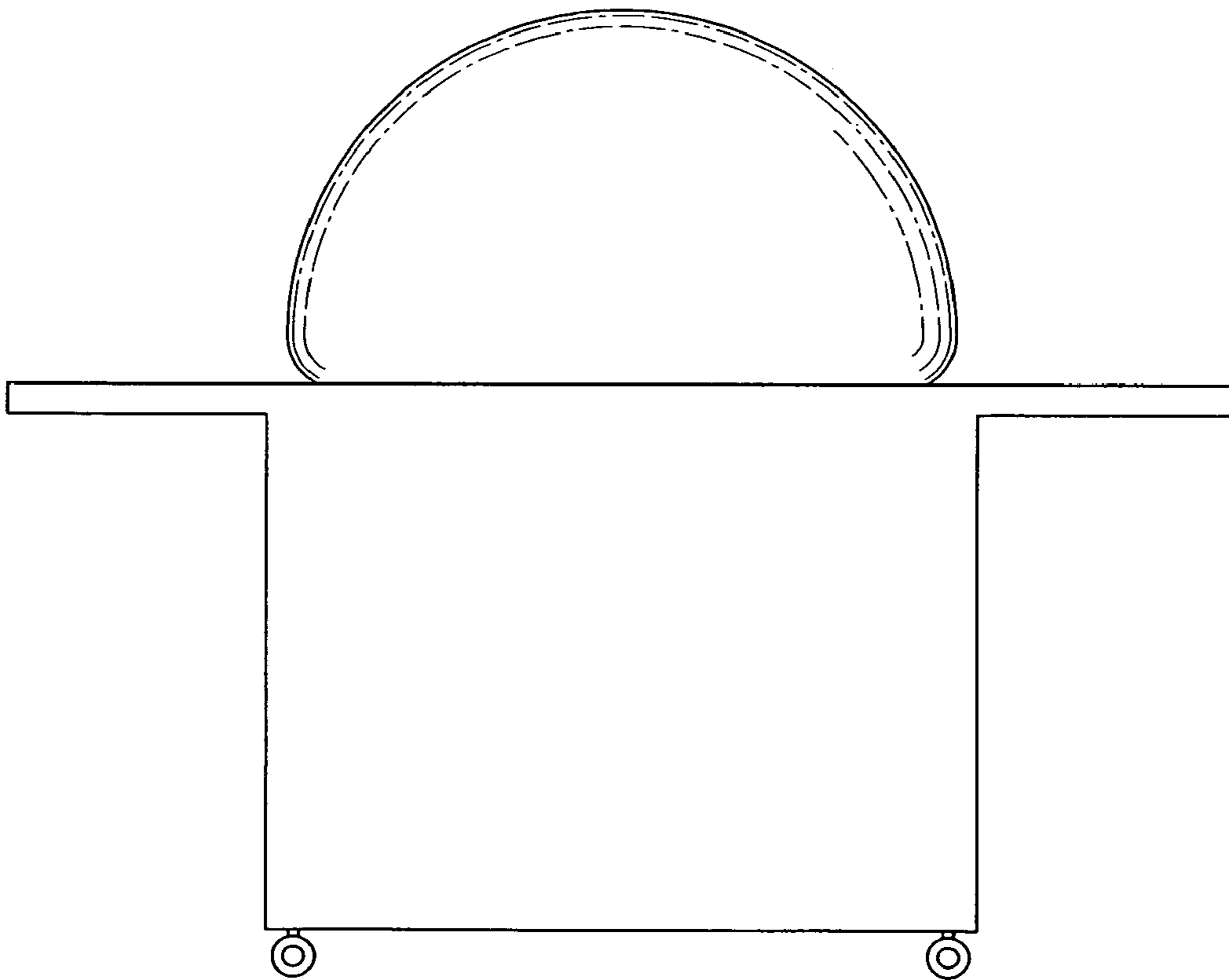


FIG. 2

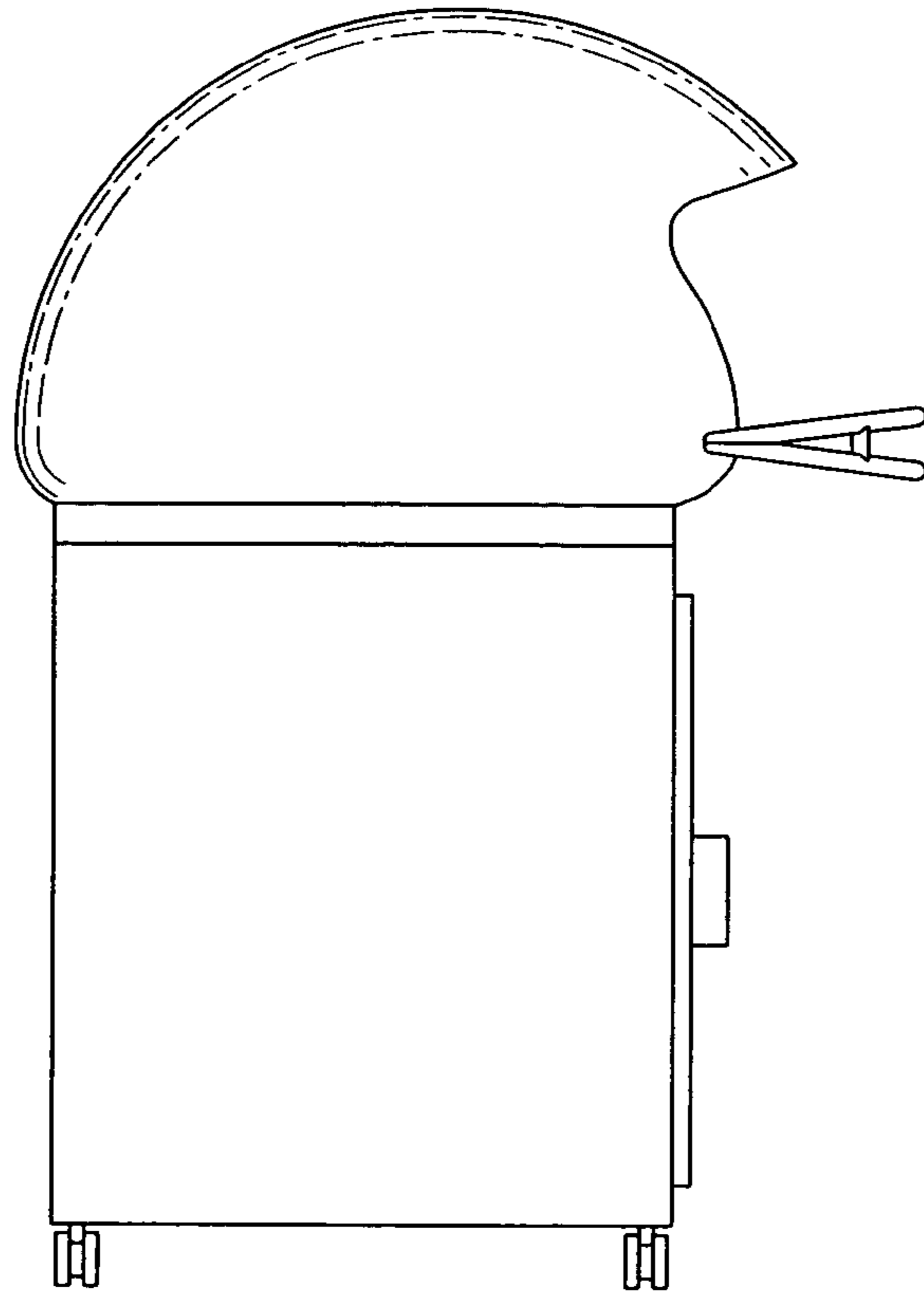


FIG. 3

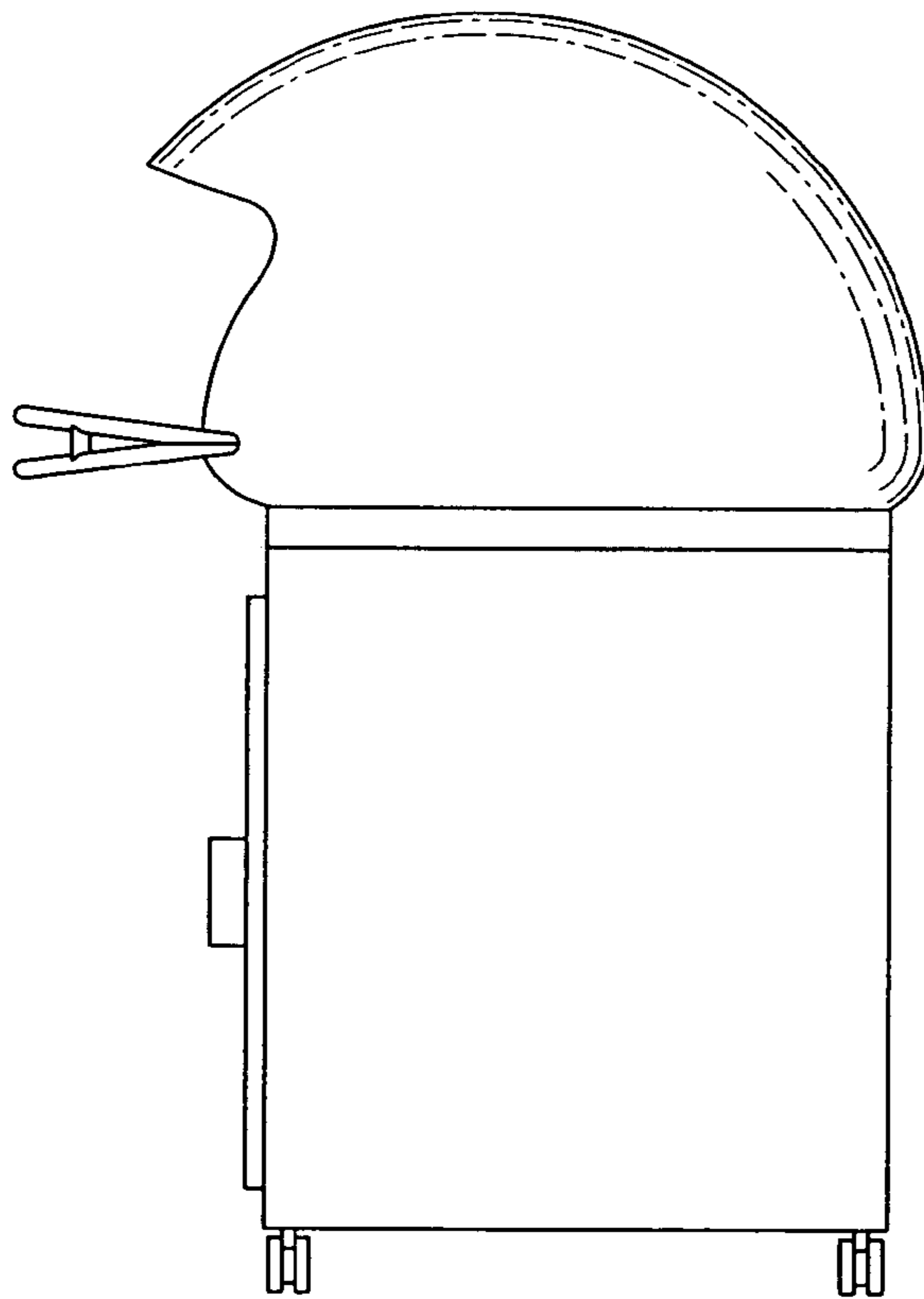


FIG. 4

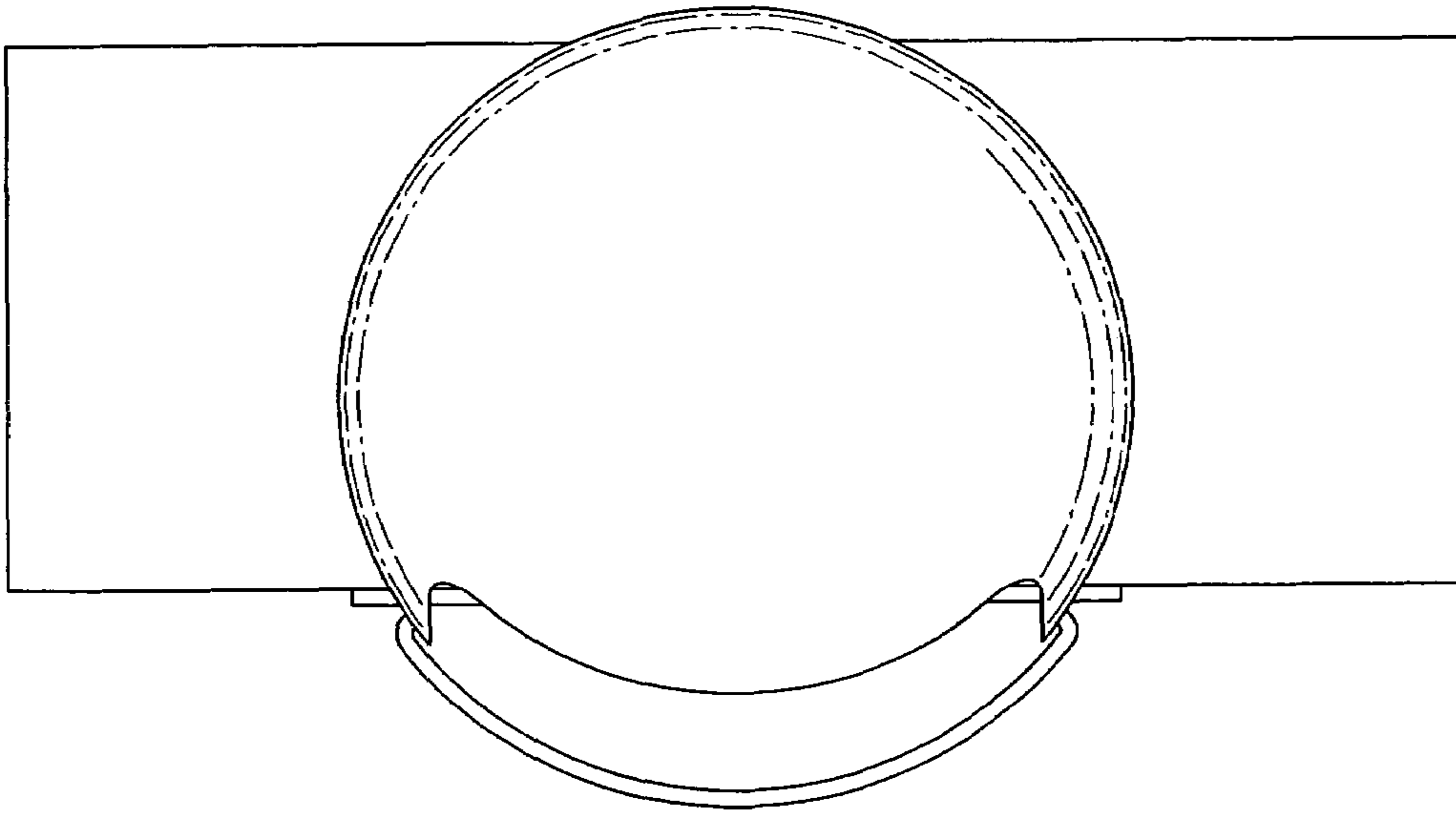


FIG. 5

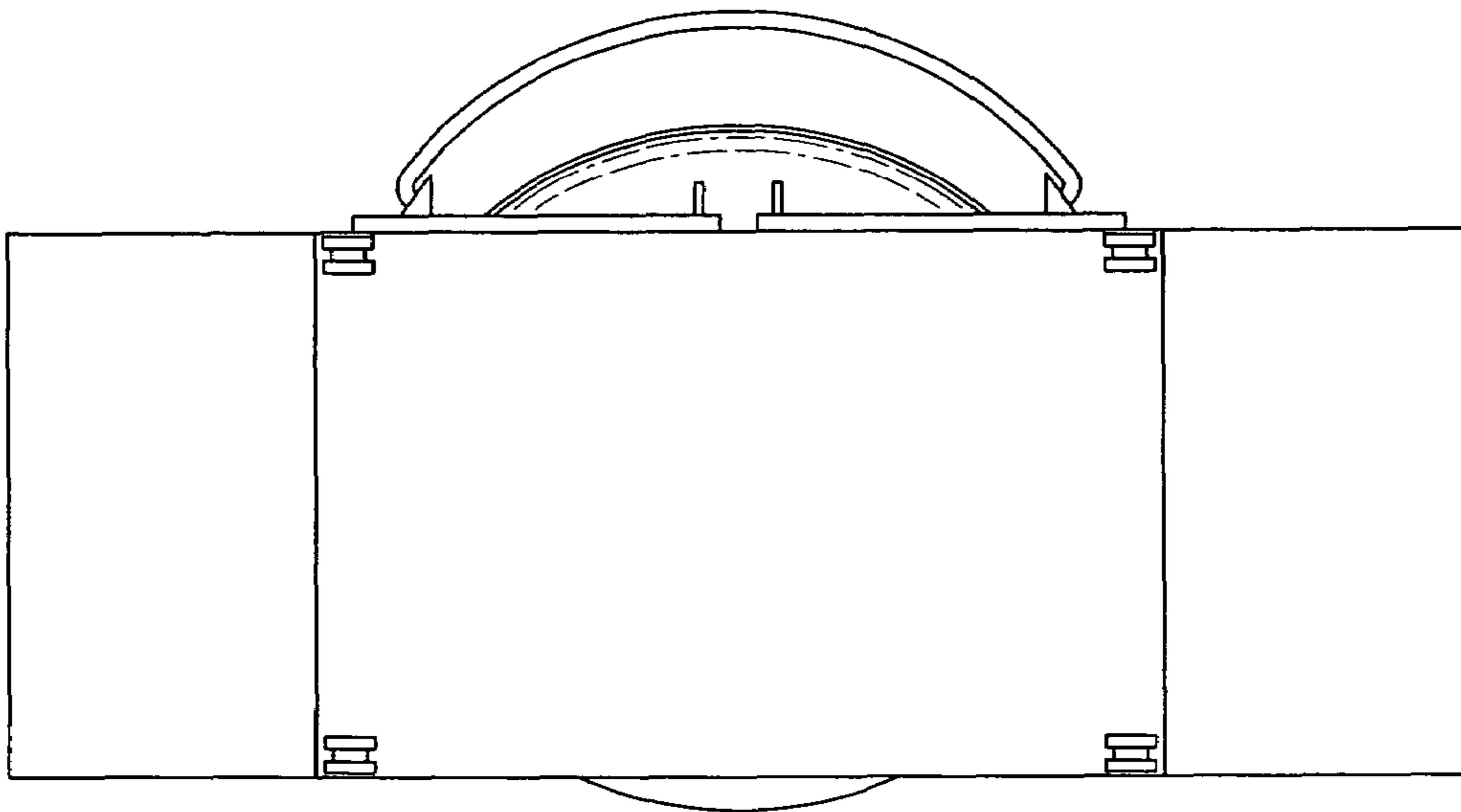


FIG. 6

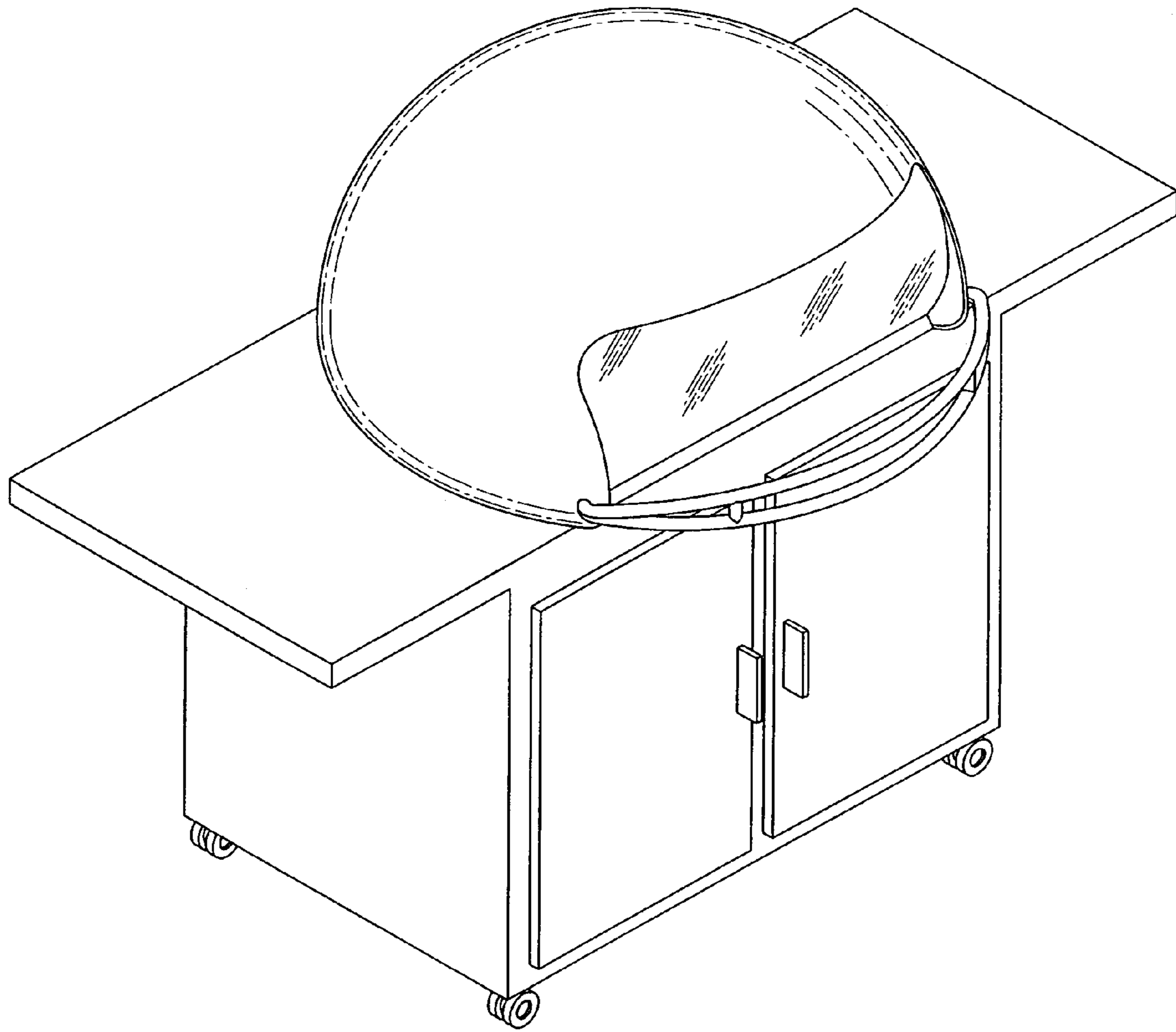


FIG. 7