



US00D559611S

(12) **United States Design Patent**
Cheong

(10) **Patent No.:** **US D559,611 S**

(45) **Date of Patent:** **** Jan. 15, 2008**

(54) **DISPENSER**

(76) Inventor: **How Onn Cheong**, 54 Havey Avenue,
Singapore 489526 (SG)

(**) Term: **14 Years**

(21) Appl. No.: **29/237,428**

(22) Filed: **Sep. 1, 2005**

(51) **LOC (8) Cl.** **07-01**

(52) **U.S. Cl.** **D7/306; D7/311**

(58) **Field of Classification Search** D7/305-311,
D7/300, 326; 141/103; 392/446; 222/146.5,
222/146, 129.1, 189.11; 99/299, 290; 62/390
See application file for complete search history.

(56) **References Cited**

U.S. PATENT DOCUMENTS

D377,290	S *	1/1997	Saltet	D7/309
D407,593	S *	4/1999	Hu et al.	D7/305
D419,821	S *	2/2000	Powell et al.	D7/309
6,253,662	B1 *	7/2001	Zelson	99/279
6,446,835	B1 *	9/2002	Ford	222/56
6,564,975	B1 *	5/2003	Garman	222/189.11
D478,242	S *	8/2003	Garman	D7/309
6,681,960	B2 *	1/2004	Garman	222/189.11
6,792,847	B2 *	9/2004	Tobin et al.	99/275

D514,371	S *	2/2006	Yang et al.	D7/309
D514,867	S *	2/2006	Steiner	D7/309
D530,969	S *	10/2006	Lin	D7/309

FOREIGN PATENT DOCUMENTS

SG 2004/266/J-D 2/2004

* cited by examiner

Primary Examiner—M. N. Pandozzi
(74) *Attorney, Agent, or Firm*—Birch, Stewart, Kolasch & Birch, LLP

(57) **CLAIM**

The ornamental design for dispenser, as shown and described.

DESCRIPTION

FIG. 1 is a front perspective view of a dispenser showing my new design;

FIG. 2 is a front elevational view thereof;

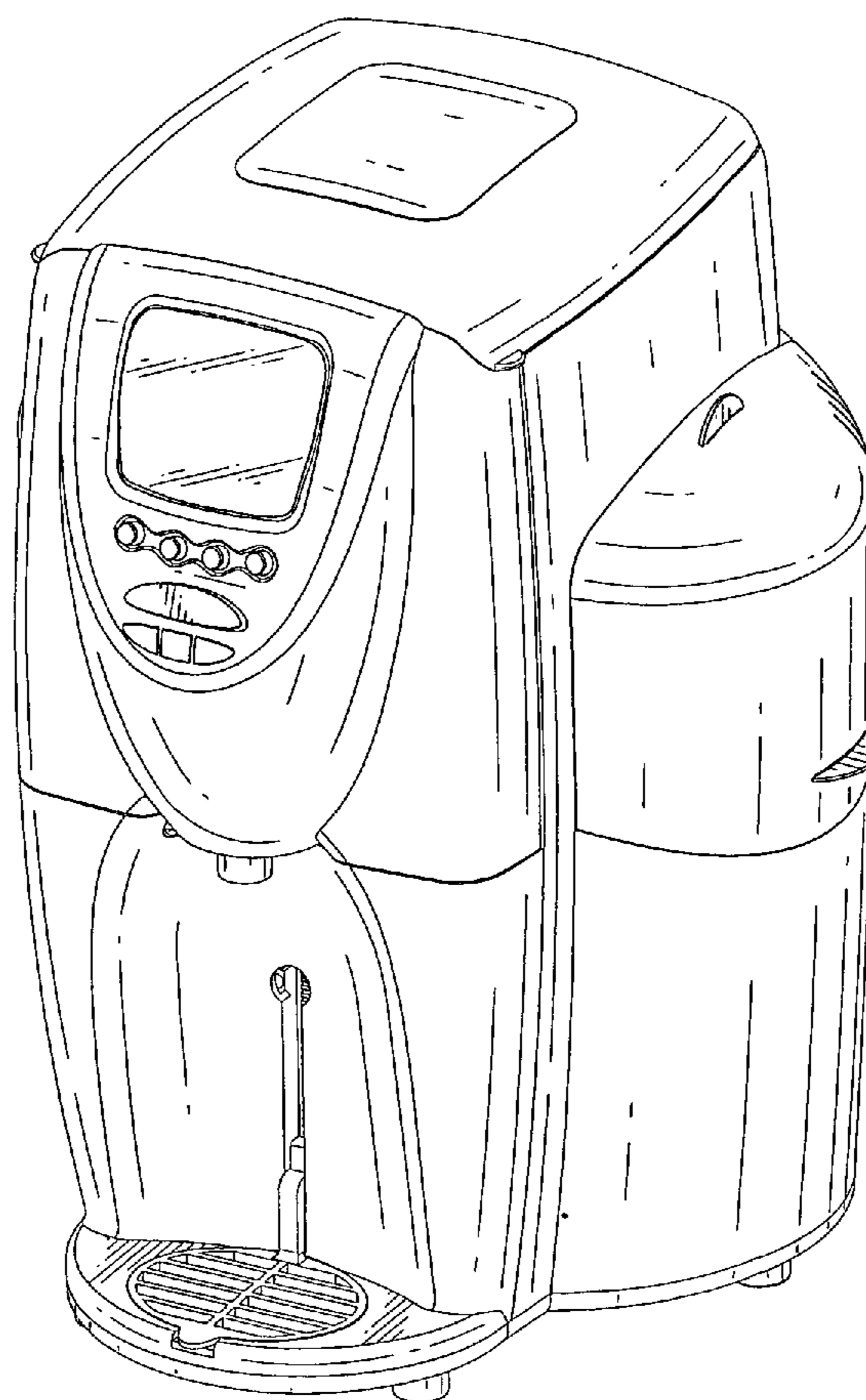
FIG. 3 is a left side elevational view thereof;

FIG. 4 is a right side elevational view thereof;

FIG. 5 is a rear elevational view thereof; and,

FIG. 6 is a top plan view thereof.

1 Claim, 6 Drawing Sheets



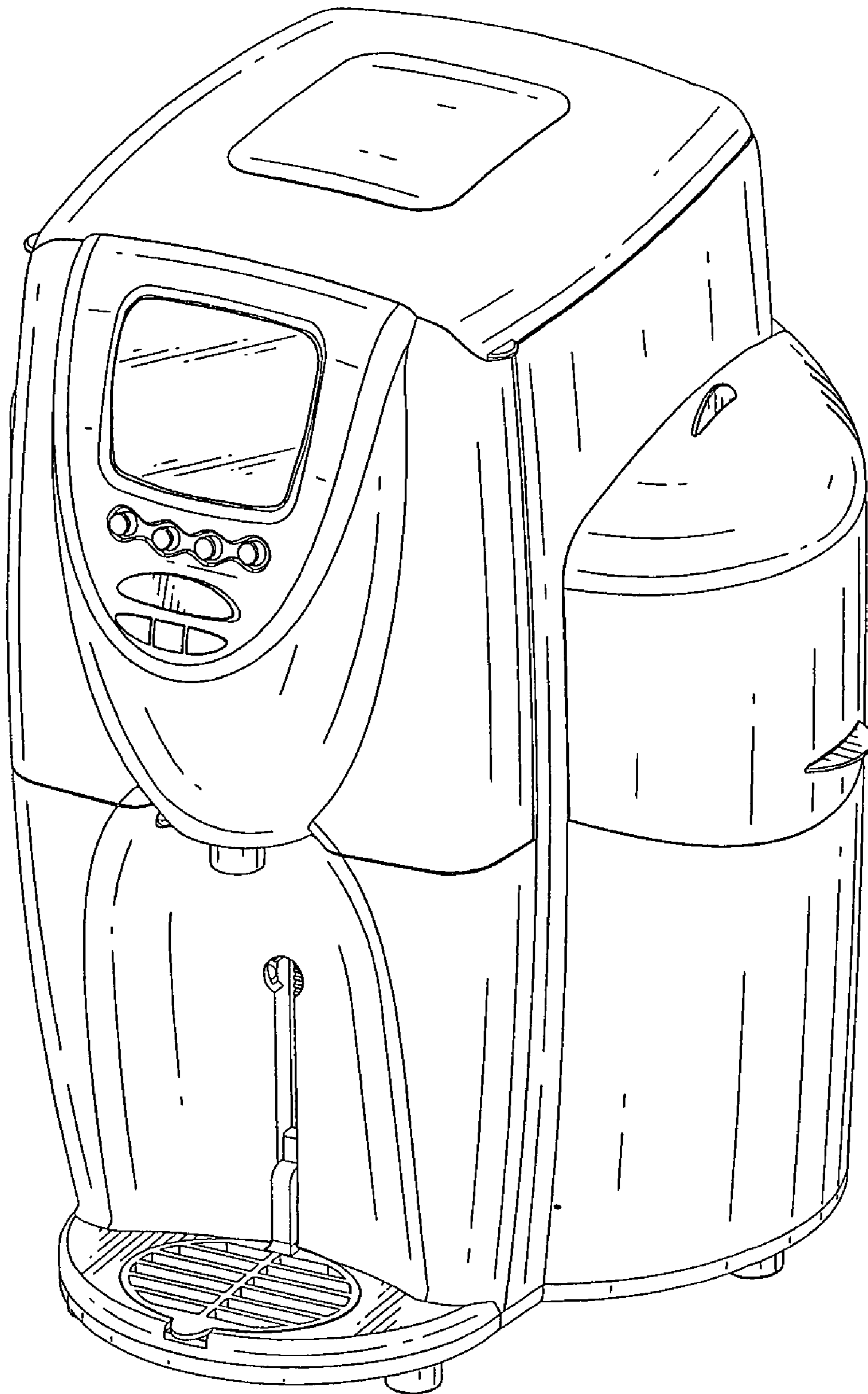


FIG. 1

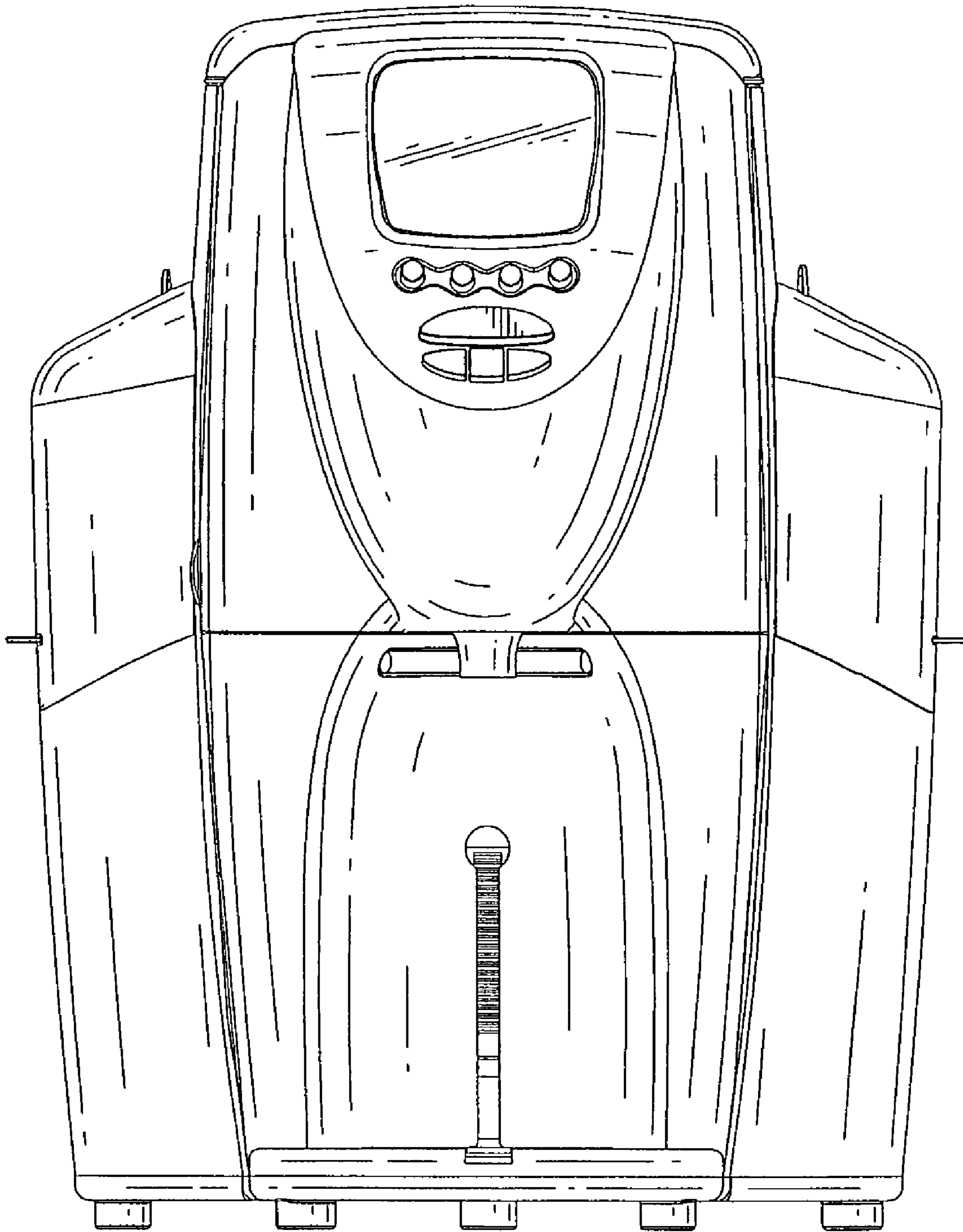


FIG.2

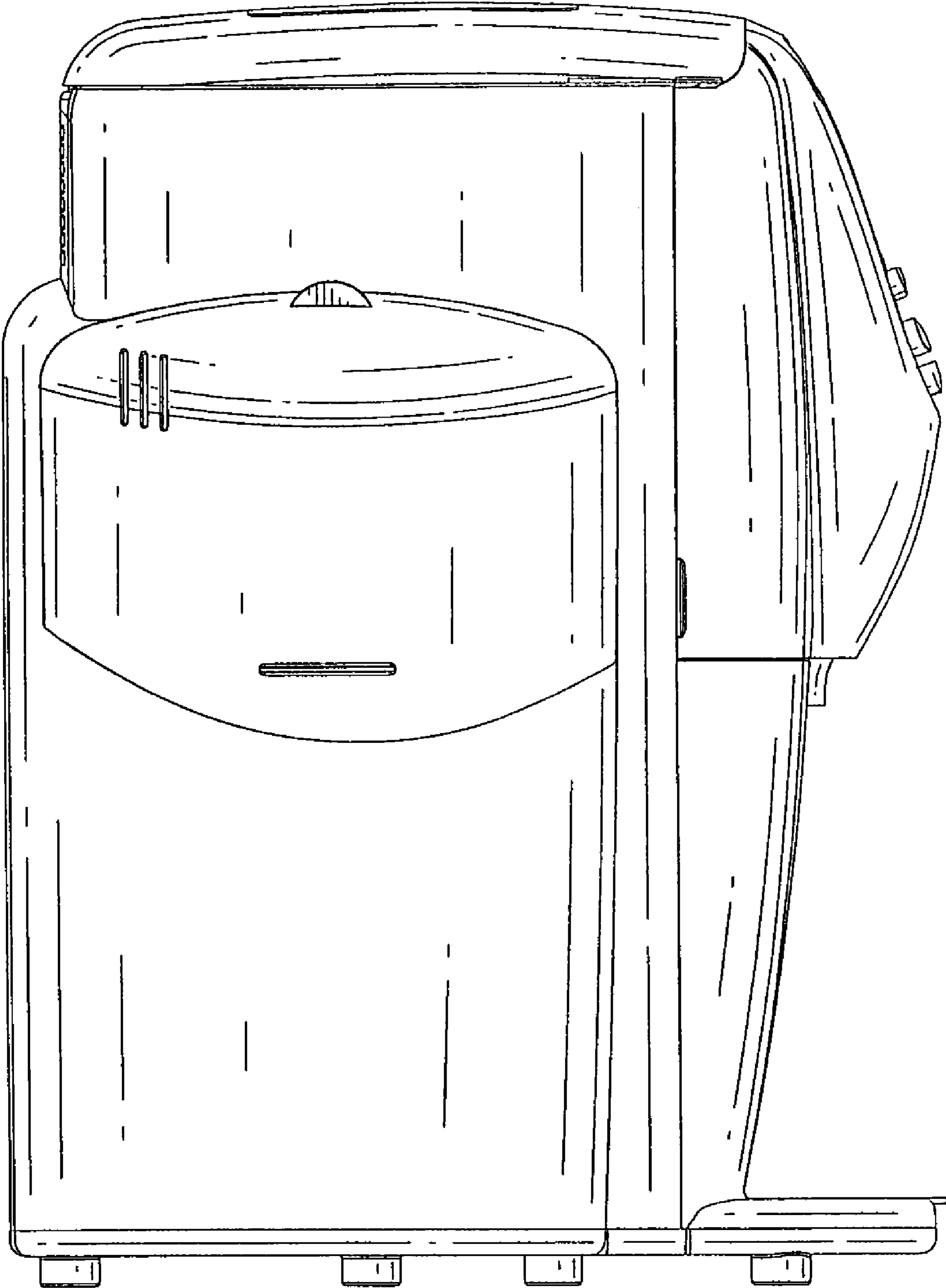


FIG. 3

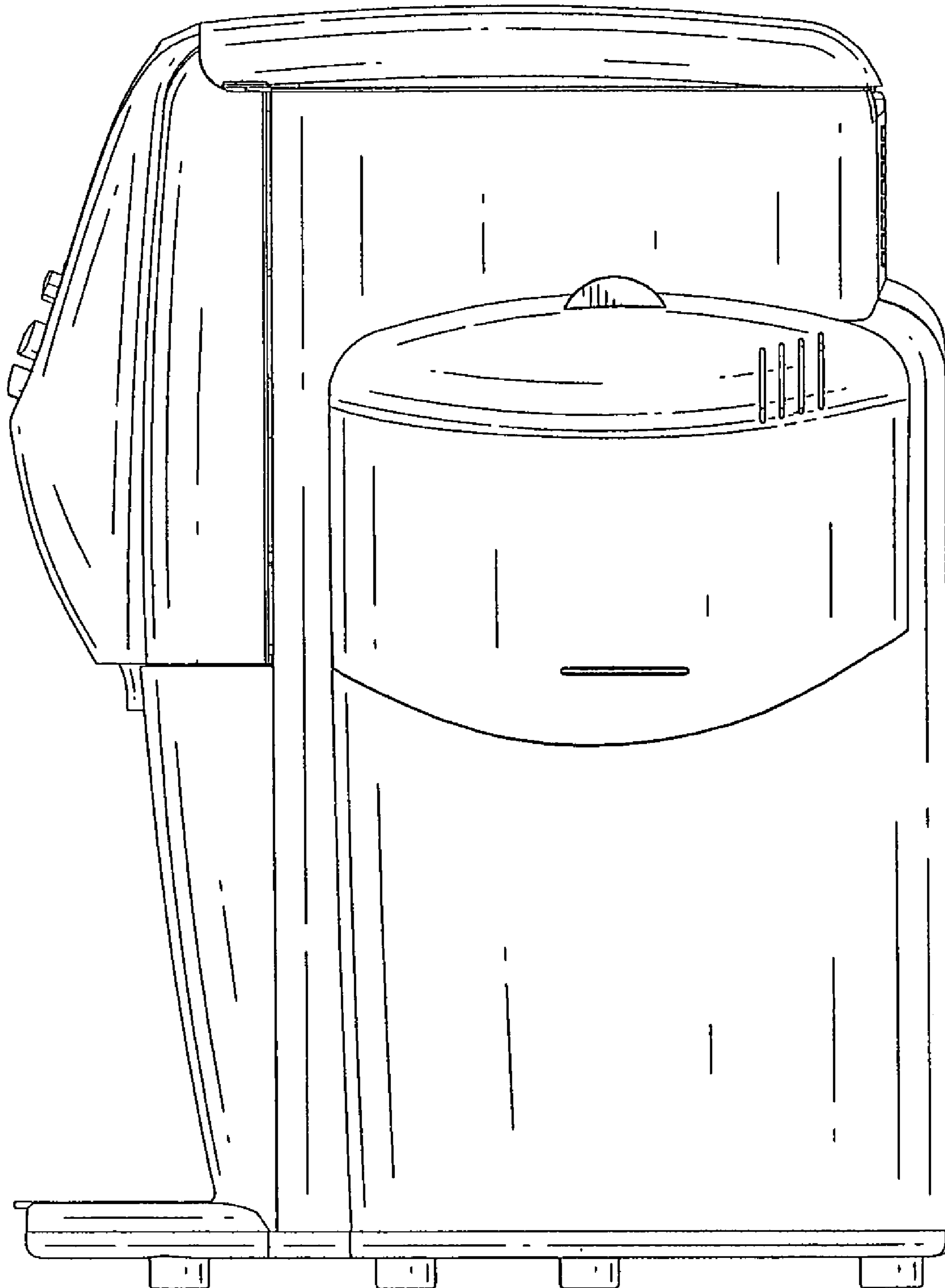


FIG. 4

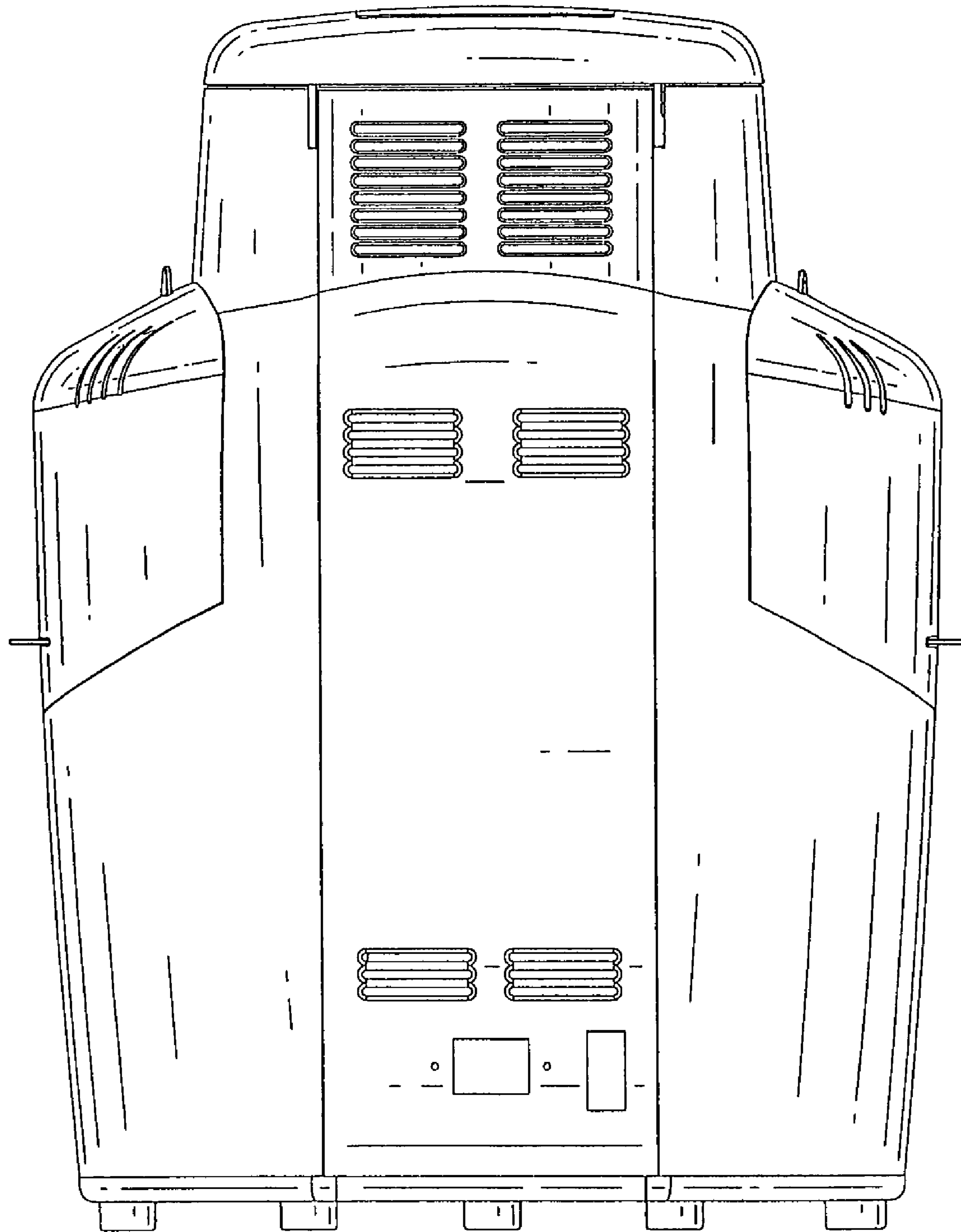


FIG. 5

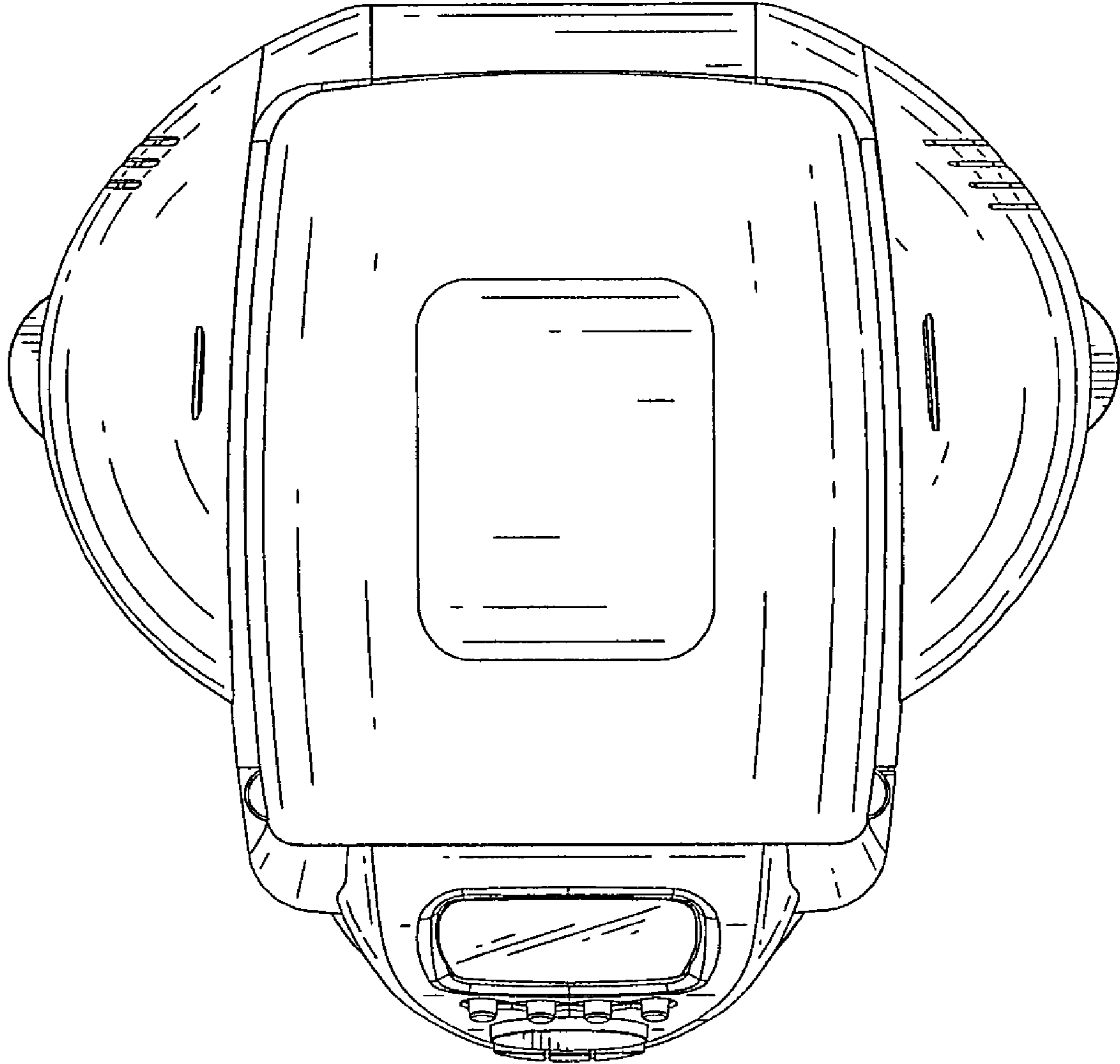


FIG. 6