



US00D559610S

(12) **United States Design Patent**
Jones

(10) **Patent No.:** **US D559,610 S**
(45) **Date of Patent:** **** Jan. 15, 2008**

(54) **DECORATIVE TOILET RUNNER**

(76) Inventor: **Katherine Jones**, 5008 N. 87th Pl.,
Scottsdale, AZ (US) 85020

(**) Term: **14 Years**

(21) Appl. No.: **29/217,828**

(22) Filed: **Nov. 22, 2004**

(51) **LOC (8) Cl.** **06-13**

(52) **U.S. Cl.** **D6/612**

(58) **Field of Classification Search** D6/610-621,
D6/622; 150/155, 158, 165, 154, 901; D23/301,
D23/313; 4/661, 242.1

See application file for complete search history.

(56) **References Cited**

U.S. PATENT DOCUMENTS

3,087,524	A *	4/1963	Dolnick	D6/610
3,166,112	A *	1/1965	Fisher	D6/610
D214,444	S	6/1969	Weinman		
4,407,024	A	10/1983	Schneider		
4,932,084	A	6/1990	Hanson		
5,027,493	A	7/1991	Wood		
D322,192	S *	12/1991	Alvey	D6/610
5,073,998	A	12/1991	Wood		
5,490,291	A	2/1996	Direnzo		
D370,724	S	6/1996	Elsy		
D387,603	S *	12/1997	Cooke	D6/611
5,887,298	A	3/1999	Semidey		
2002/0112280	A1 *	8/2002	Christmas	4/661

2004/0139536 A1* 7/2004 Deibler et al. 4/353
* cited by examiner

Primary Examiner—Doris Clark
Assistant Examiner—Anhdao Doan
(74) *Attorney, Agent, or Firm*—Jeffrey D. Moy; Weiss & Moy, P.C.

(57) **CLAIM**

The ornamental design for a decorative toilet runner, as shown and described.

DESCRIPTION

FIG. 1 is an enlarged perspective view of the decorative toilet runner, showing it as viewed from the top;

FIG. 2 is a front view of the decorative toilet runner, showing it in place on a toilet tank;

FIG. 3 is a top view of the decorative runner, showing it in place on a toilet tank;

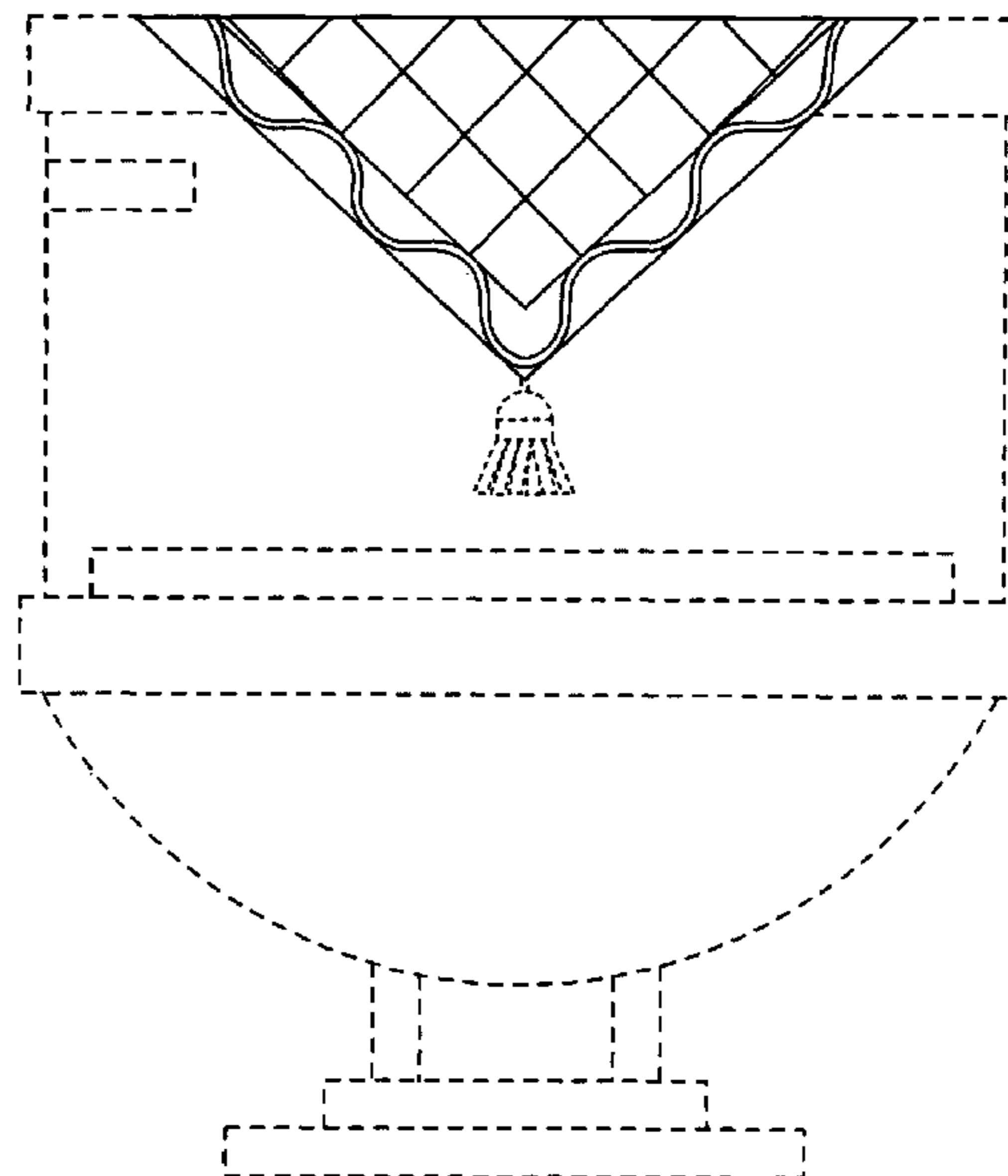
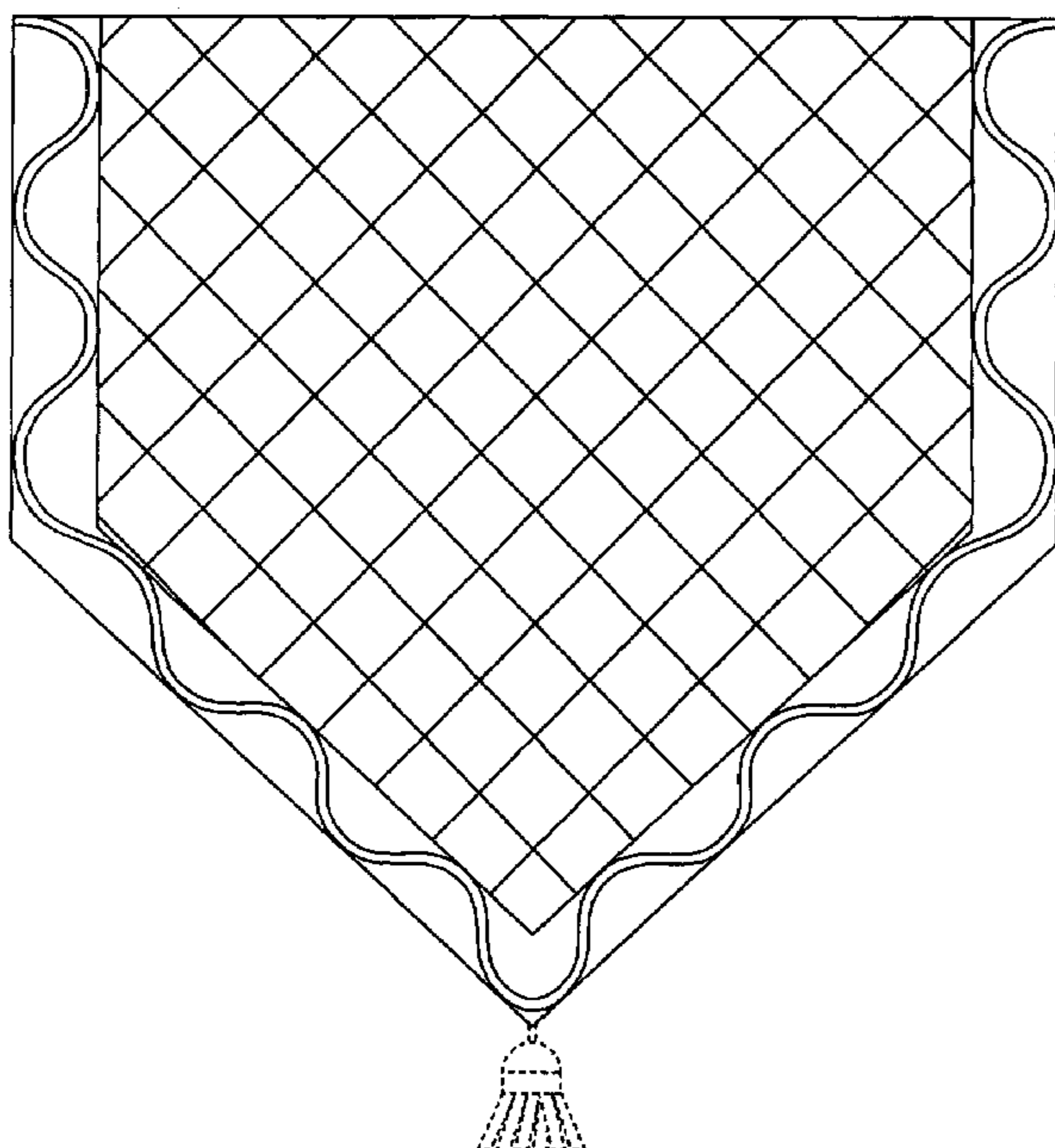
FIG. 4 is an enlarged perspective view of an alternative embodiment of the decorative toilet runner, showing it as viewed from the top;

FIG. 5 is a front view of the alternative embodiment of the decorative toilet runner, showing it in place on a toilet tank; and,

FIG. 6 is a top view of the alternative embodiment of the toilet runner, showing it in place on a toilet tank.

The broken lines are for illustrative purposes only and form no part of the claimed invention.

1 Claim, 6 Drawing Sheets



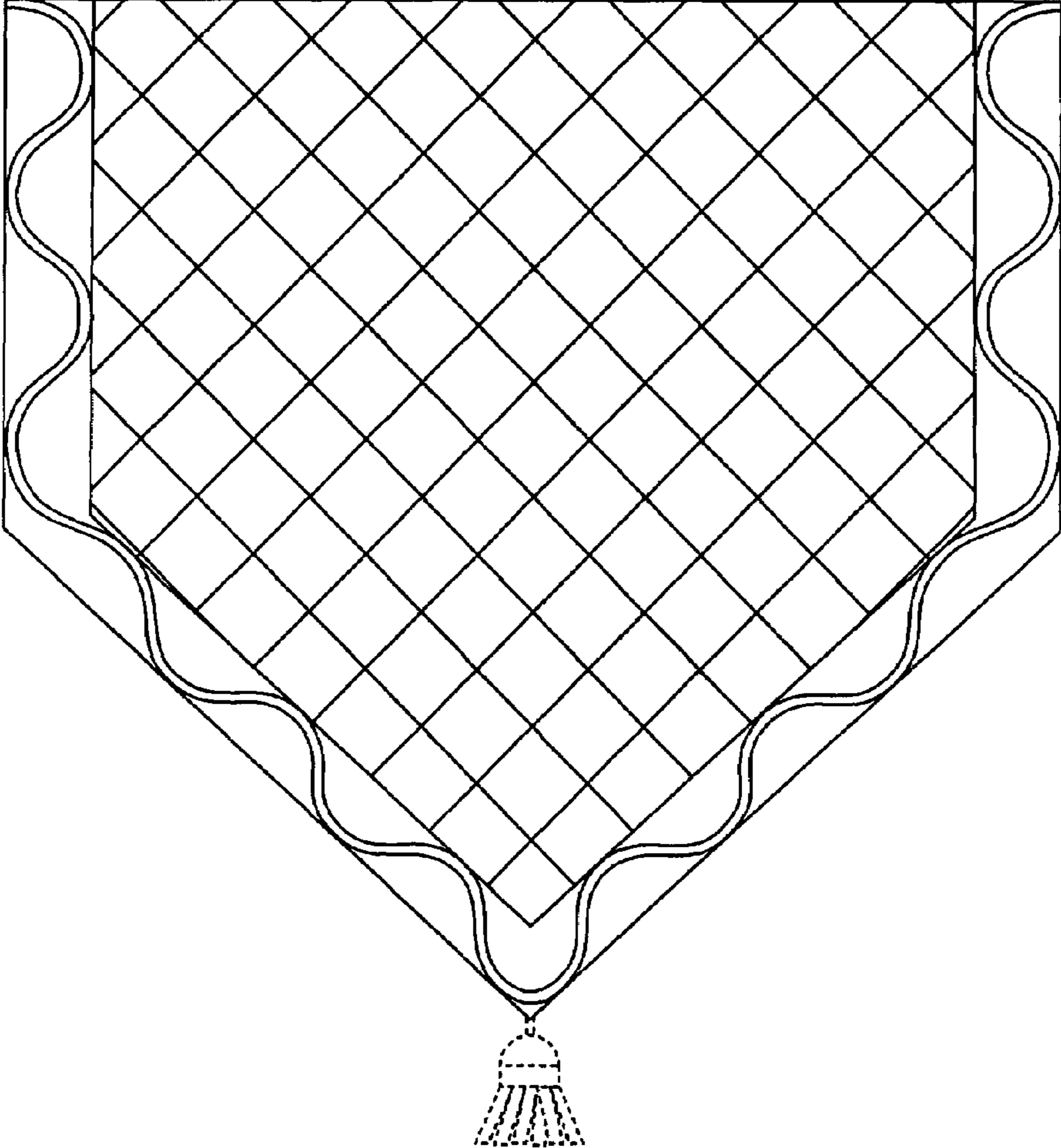


Fig. 1

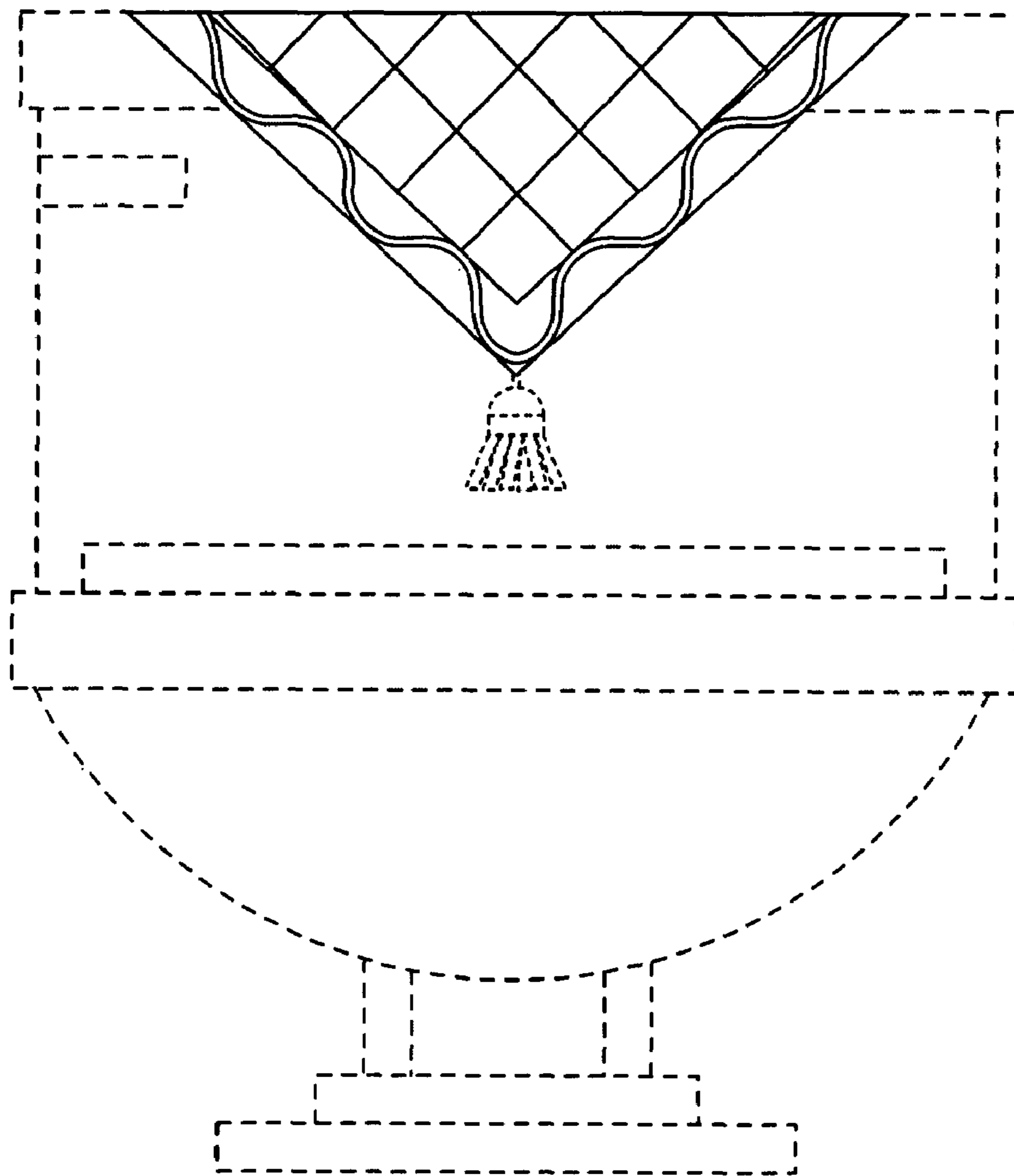


Fig. 2

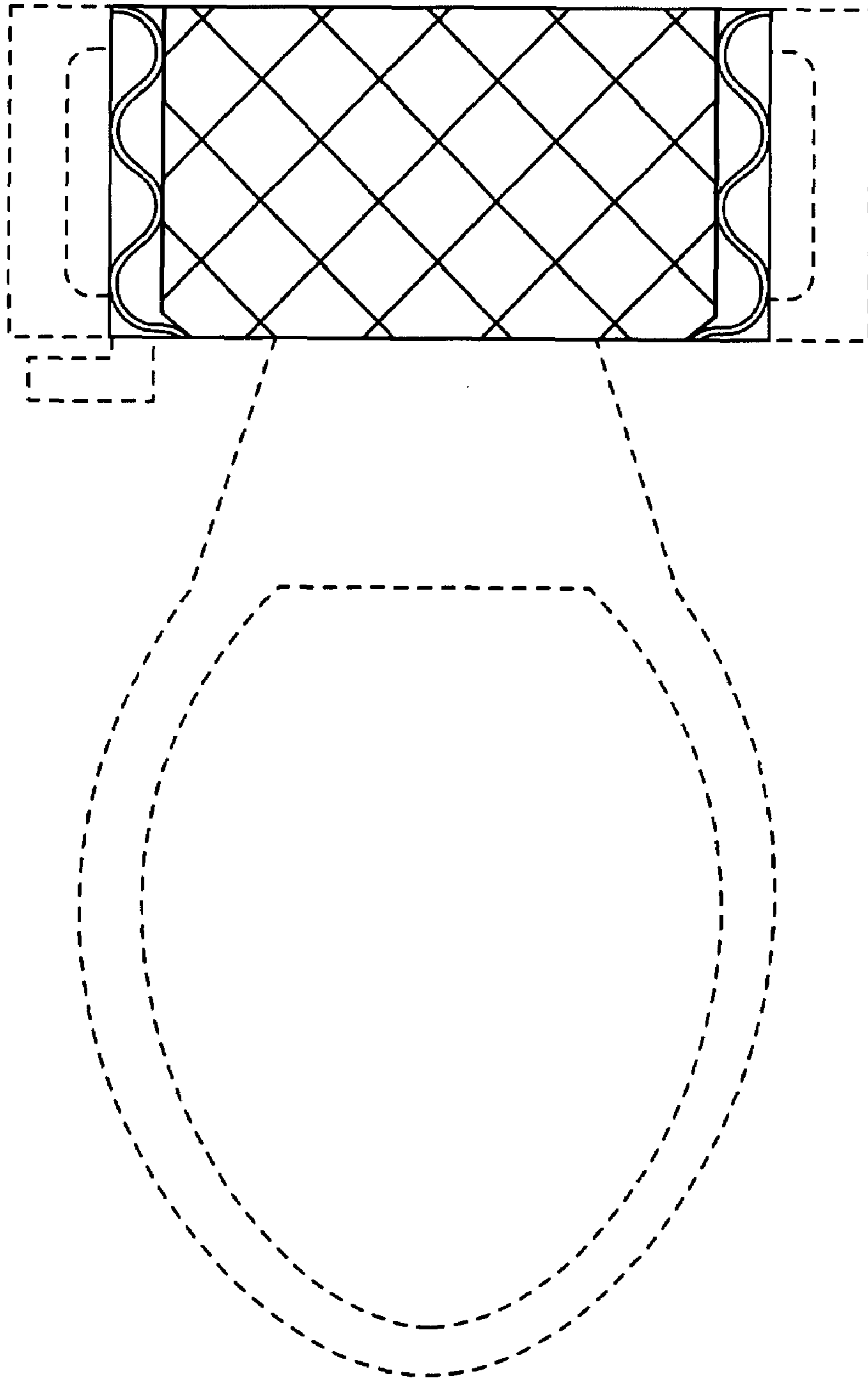


Fig. 3

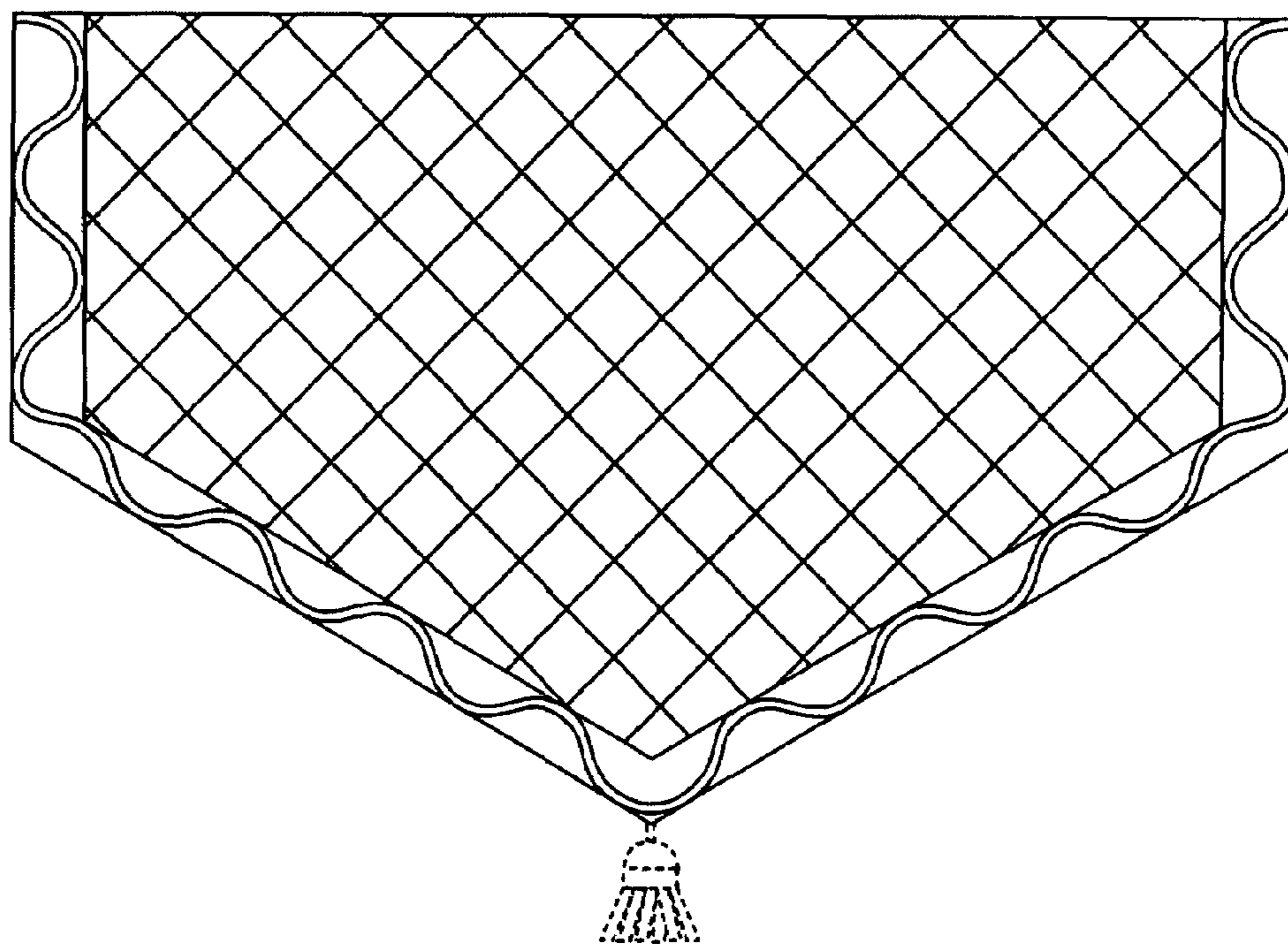


Fig. 4

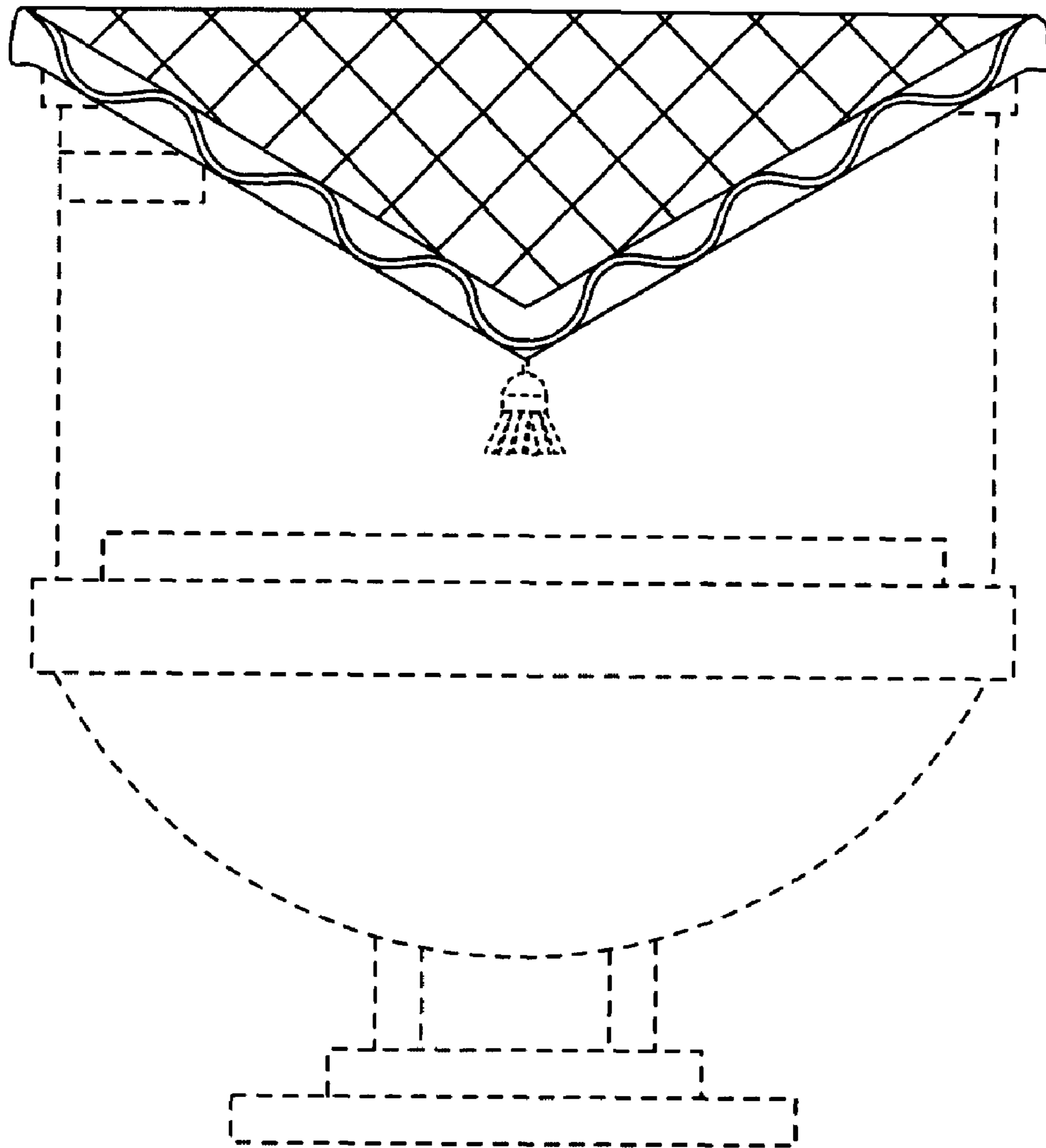


Fig. 5

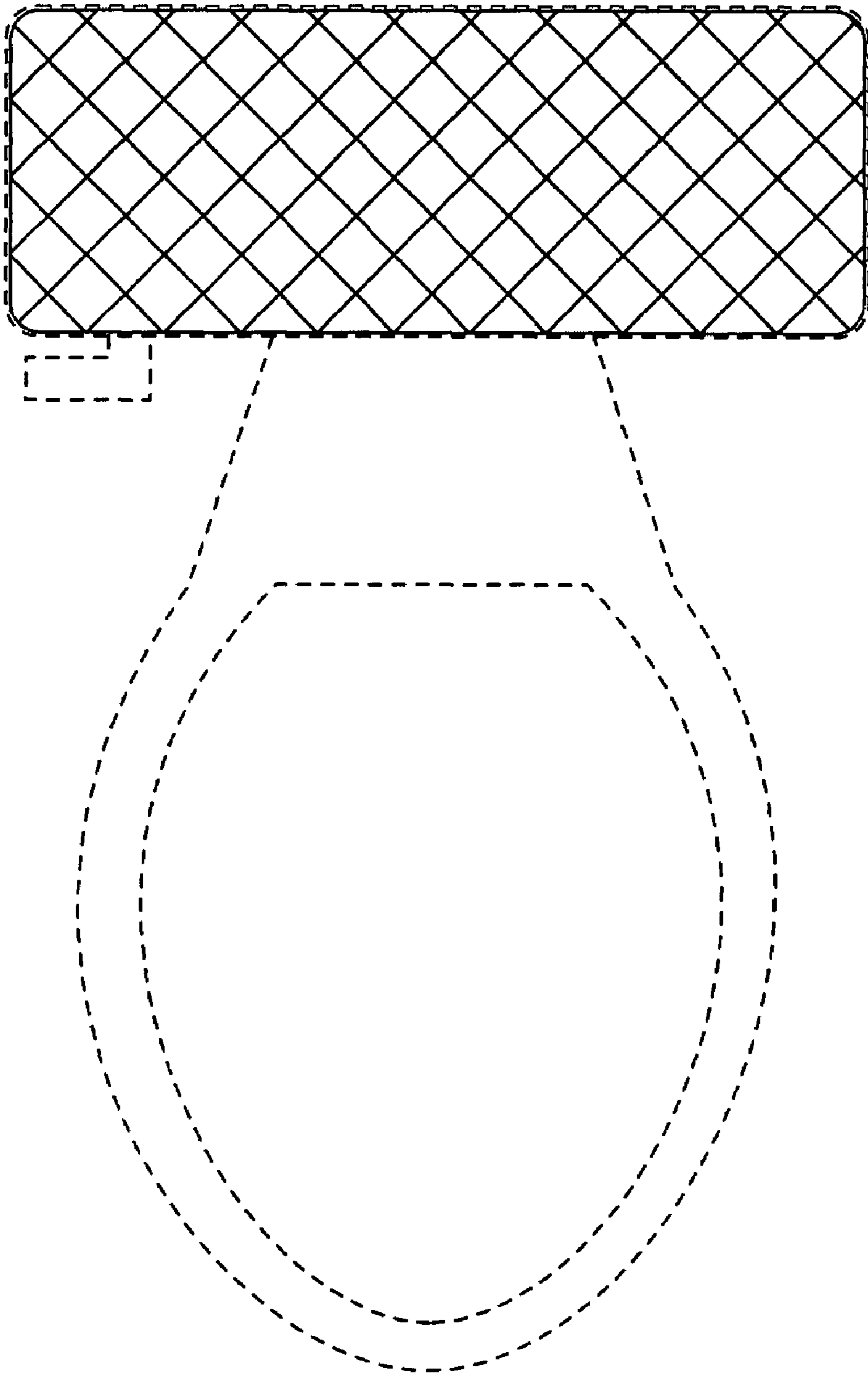


Fig. 6