



US00D559603S

(12) **United States Design Patent**
DeSena

(10) **Patent No.:** **US D559,603 S**

(45) **Date of Patent:** **** Jan. 15, 2008**

(54) **GOLF CLUB DISPLAY RACK**

D477,955 S * 8/2003 Chaney et al. D6/552
D478,233 S * 8/2003 Chaney et al. D6/552
D546,102 S * 7/2007 Lawrence D6/552

(75) Inventor: **Michael D. DeSena**, West Caldwell, NJ
(US)

* cited by examiner

(73) Assignee: **Henschel-Steinau, Inc.**, Englewood, NJ
(US)

Primary Examiner—Brian N Vinson
(74) *Attorney, Agent, or Firm*—Arthur Jacob

(**) Term: **14 Years**

(57) **CLAIM**

(21) Appl. No.: **29/249,755**

The ornamental design for a golf club display rack, as shown and described.

(22) Filed: **Oct. 20, 2006**

(51) **LOC (8) Cl.** **08-08**

(52) **U.S. Cl.** **D6/552**

(58) **Field of Classification Search** D6/552,
D6/329, 455, 466, 467; 211/13.1, 14, 49.1,
211/59.2, 70.2, 64, 85.7, 163; 206/315.1,
206/315.2; 248/309.1, 314

See application file for complete search history.

DESCRIPTION

FIG. 1 is a top, right perspective view of a golf club display stand showing my new design;

FIG. 2 is a top plan view thereof;

FIG. 3 is a left side elevational view thereof;

FIG. 4 is a right side elevational view thereof;

FIG. 5 is a front elevational view thereof;

FIG. 6 is a rear elevational view thereof; and,

FIG. 7 is a bottom plan view thereof.

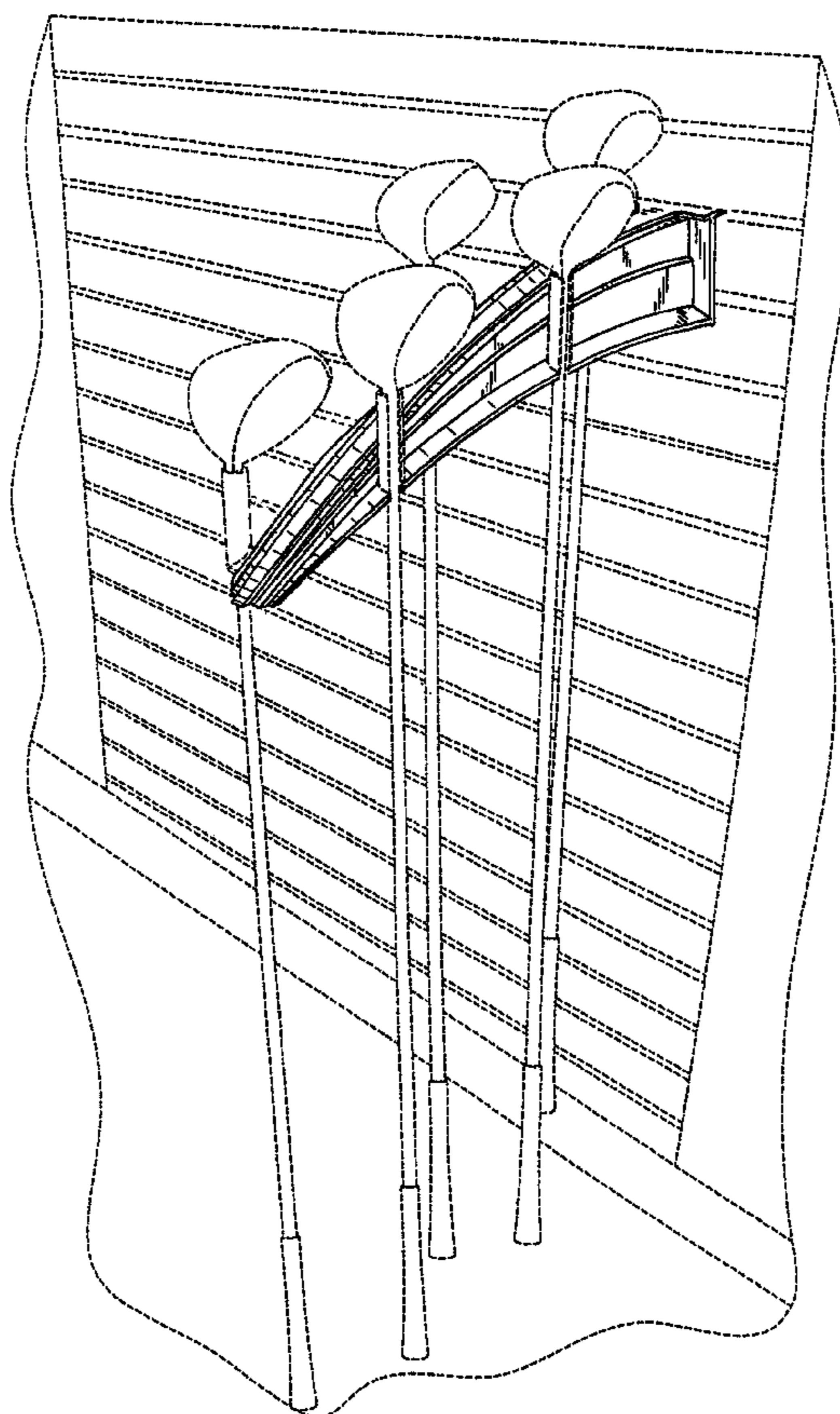
The broken lines in the drawing are for illustrative purposes only and form no part of the claimed design.

(56) **References Cited**

U.S. PATENT DOCUMENTS

D379,046 S * 5/1997 LaPlante, Sr. D6/552
D393,391 S * 4/1998 Lorenz et al. D6/552
D394,291 S * 5/1998 Beltran et al. D6/552
D463,940 S * 10/2002 Uhl D6/552
D477,487 S * 7/2003 Chaney et al. D6/552

1 Claim, 5 Drawing Sheets



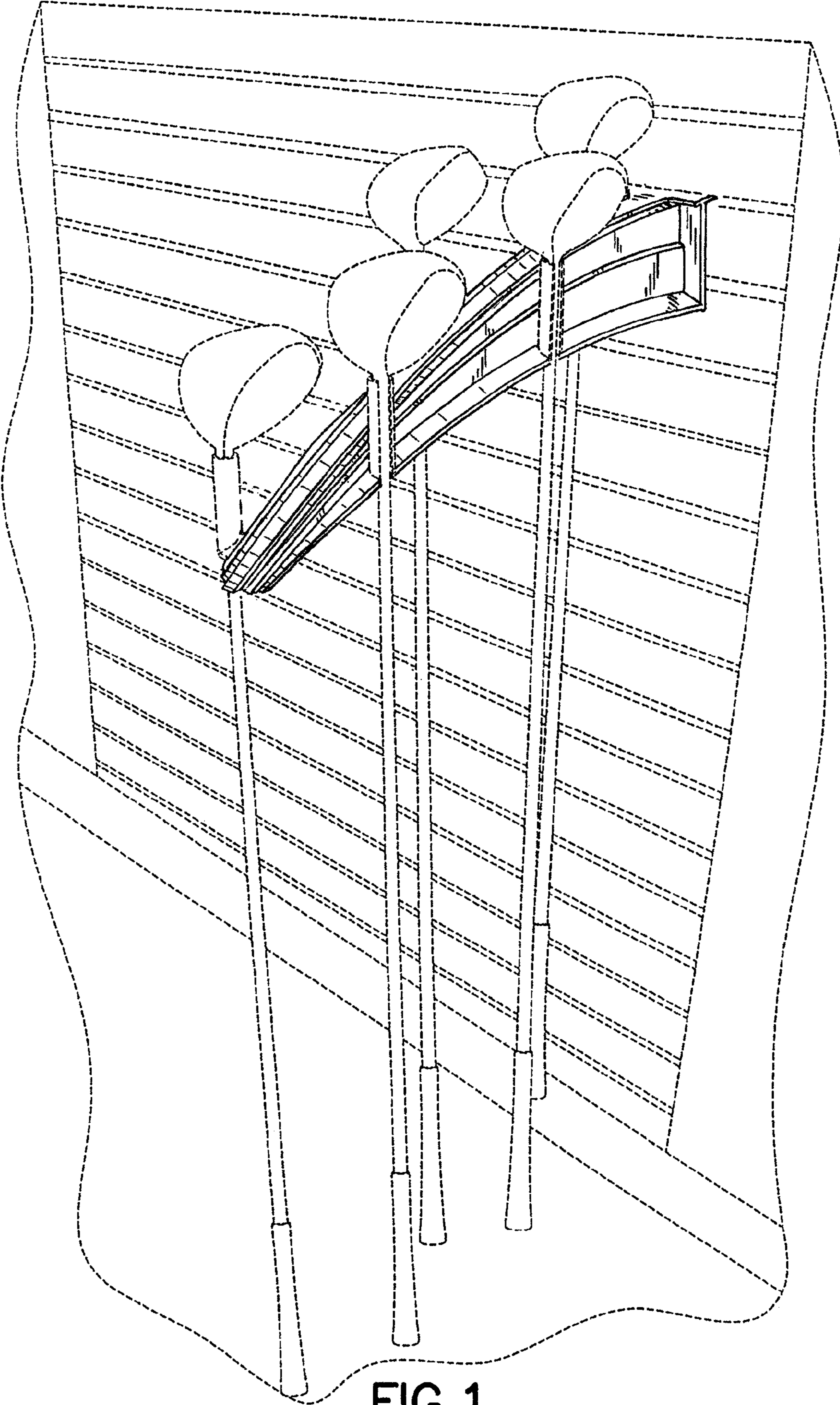


FIG. 1

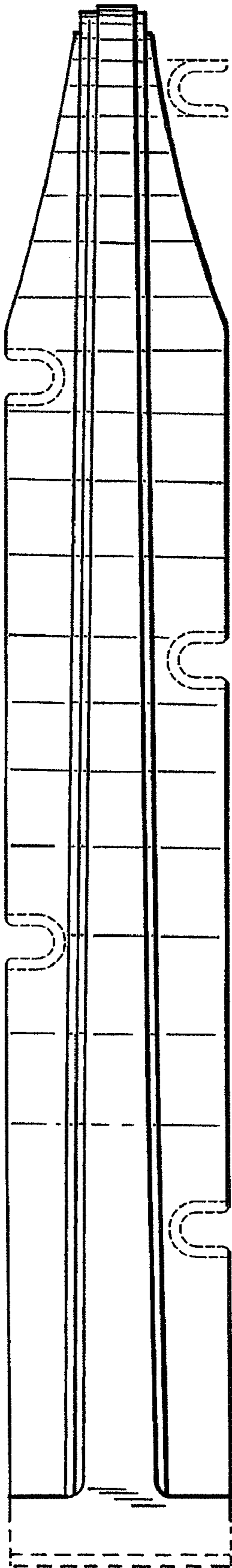


FIG. 2

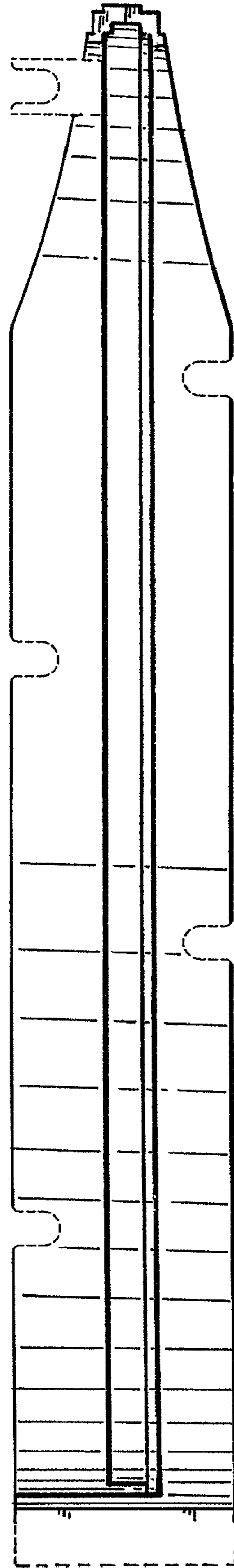


FIG. 7

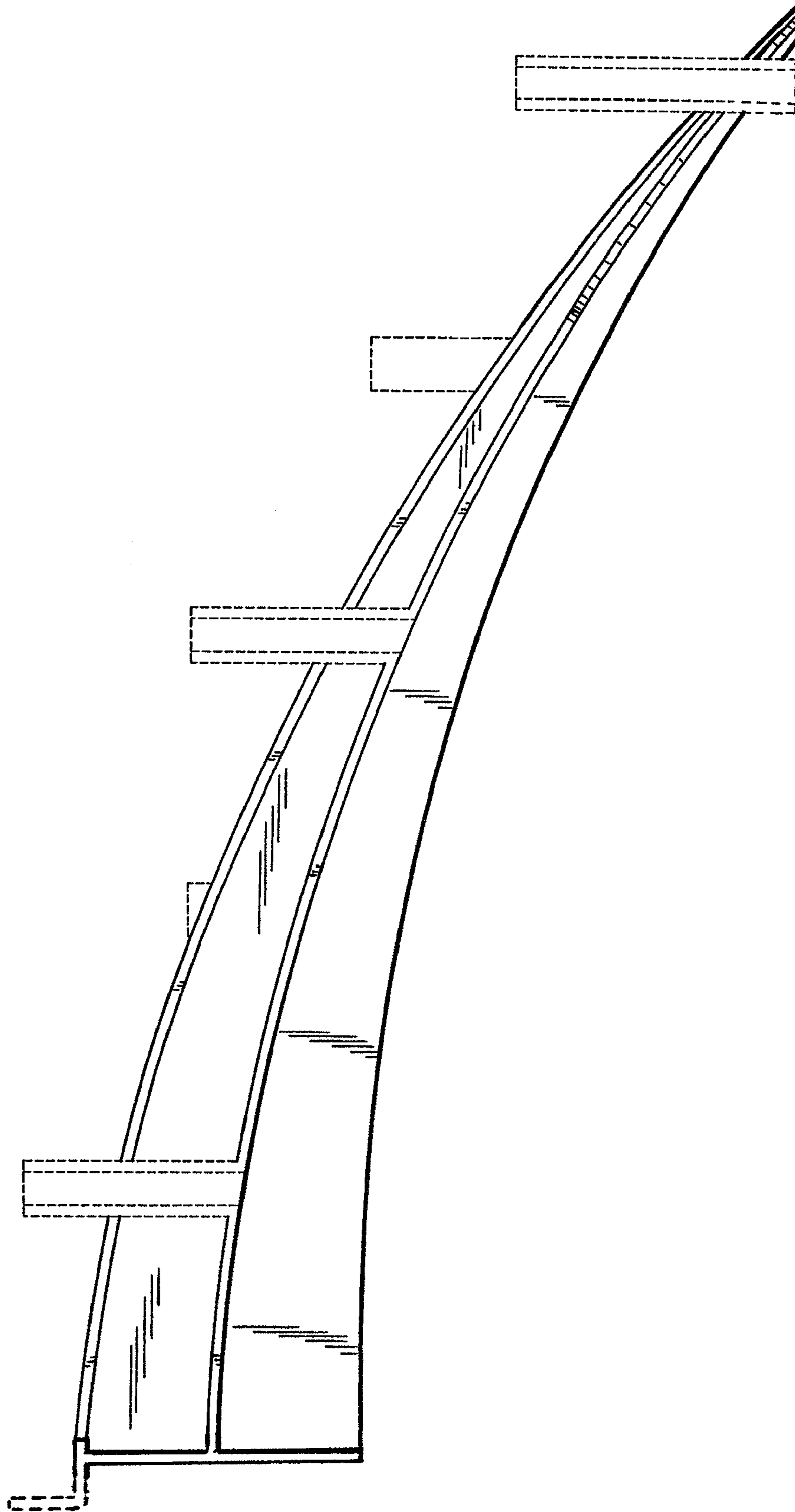


FIG.3

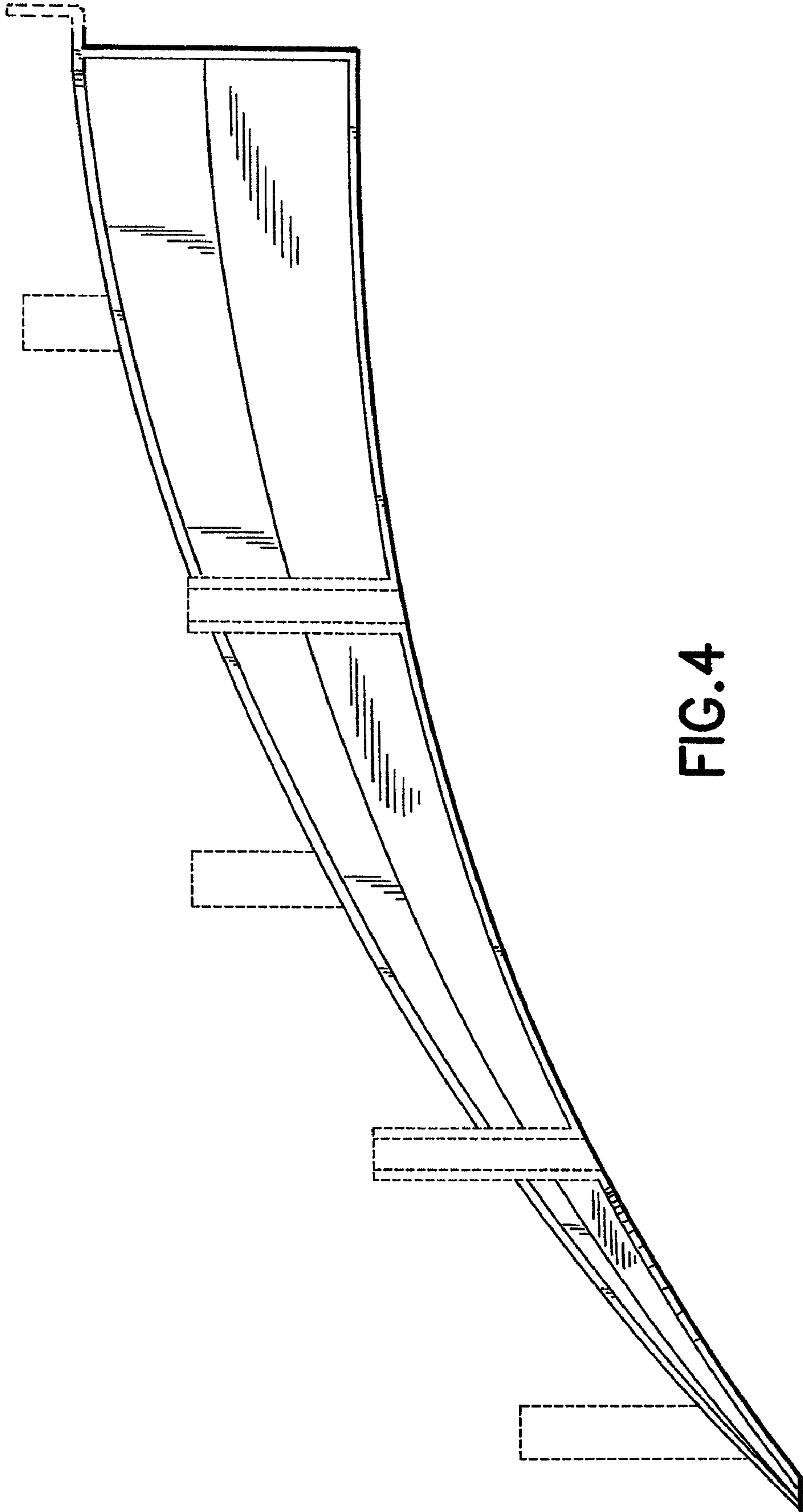


FIG.4

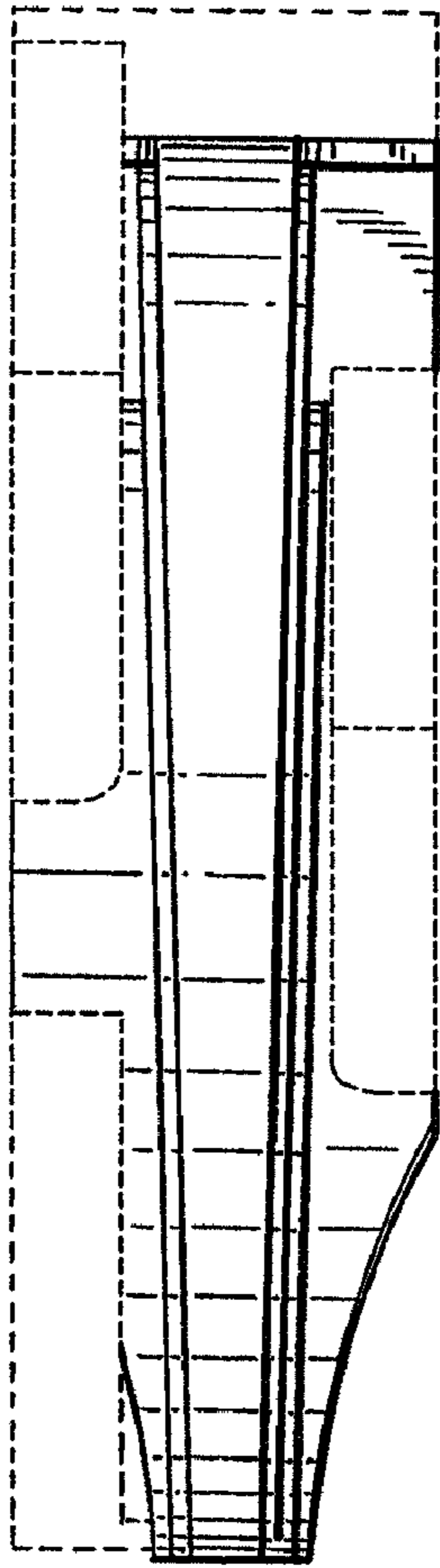


FIG. 5

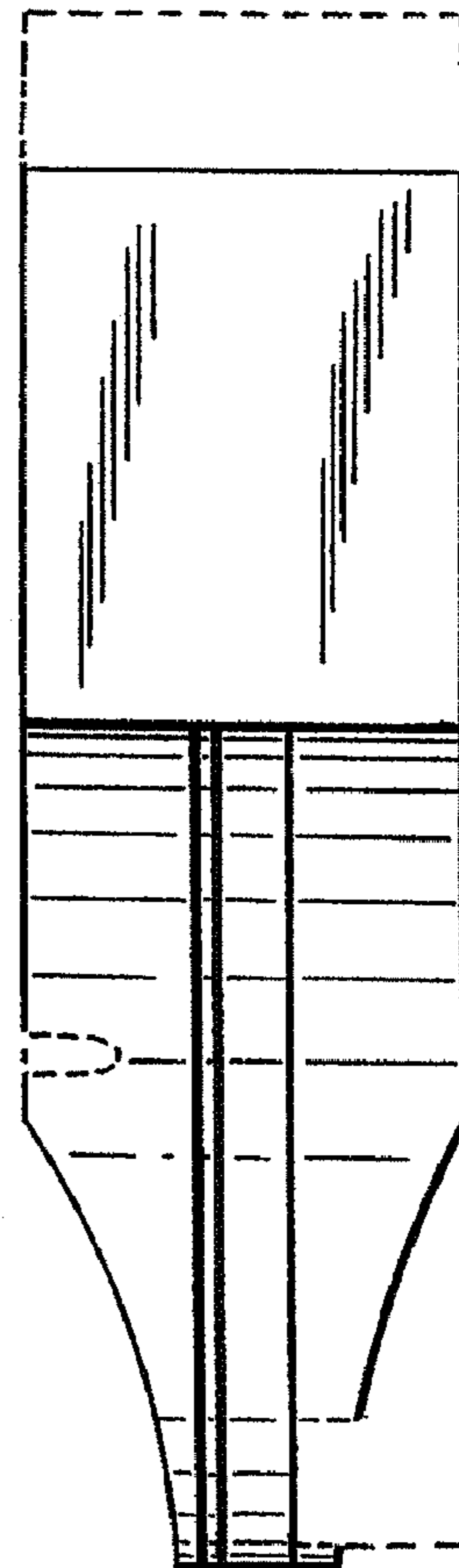


FIG. 6