



US00D559600S

(12) **United States Design Patent**  
**Snell**

(10) **Patent No.:** **US D559,600 S**  
(45) **Date of Patent:** **\*\* Jan. 15, 2008**

(54) **SOAP DISPENSER AND SCRUB HOLDER**

D531,844 S 11/2006 Snell

(75) Inventor: **Russell Benton Snell**, Bentleyville, OH (US)

**OTHER PUBLICATIONS**

2005 InterDesign, Inc. product brochure, p. 32, 33, 43 w/front & back cover.

(73) Assignee: **InterDesign, Inc.**, Solon, OH (US)

\* cited by examiner

(\*\*) Term: **14 Years**

*Primary Examiner*—Brian N Vinson

(21) Appl. No.: **29/266,332**

(74) *Attorney, Agent, or Firm*—D. Peter Hochberg; Sean Mellino

(22) Filed: **Sep. 19, 2006**

(57) **CLAIM**

(51) **LOC (8) Cl.** ..... **23-02**

The ornamental design for a soap dispenser and scrub holder, as shown and described.

(52) **U.S. Cl.** ..... **D6/542**

(58) **Field of Classification Search** ..... D6/542–545,  
D6/524, 527–528, 530–531; 221/282; 222/14,  
222/173, 146.3, 628, 251, 181.1, 181.3; D9/682,  
D9/688, 690, 448, 449, 691

**DESCRIPTION**

See application file for complete search history.

FIG. 1 is a perspective view of the soap dispenser and scrub holder according to the invention;

(56) **References Cited**

FIG. 2 is a front view of the soap dispenser and scrub holder as shown in FIG. 1;

**U.S. PATENT DOCUMENTS**

FIG. 3 is a side view of the soap dispenser and scrub holder as shown in FIG. 1;

D106,053 S *	9/1937	Maguire	.....	D6/542
D200,290 S *	2/1965	Turner	.....	D6/531
D332,739 S *	1/1993	Petschek	.....	D9/688
D375,643 S *	11/1996	Copeland et al.	.....	D6/542
D396,590 S *	8/1998	Warshawsky	.....	D6/542
D416,154 S *	11/1999	Diehl	.....	D6/542
D417,469 S *	12/1999	Avery et al.	.....	D6/528
D423,265 S *	4/2000	Azo	.....	D6/528
D426,093 S *	6/2000	Cayouette	.....	D6/542
D438,041 S *	2/2001	Huang	.....	D6/542
D486,335 S *	2/2004	Sonneman	.....	D6/542
D486,336 S	2/2004	Snell		
D531,843 S	11/2006	Snell		

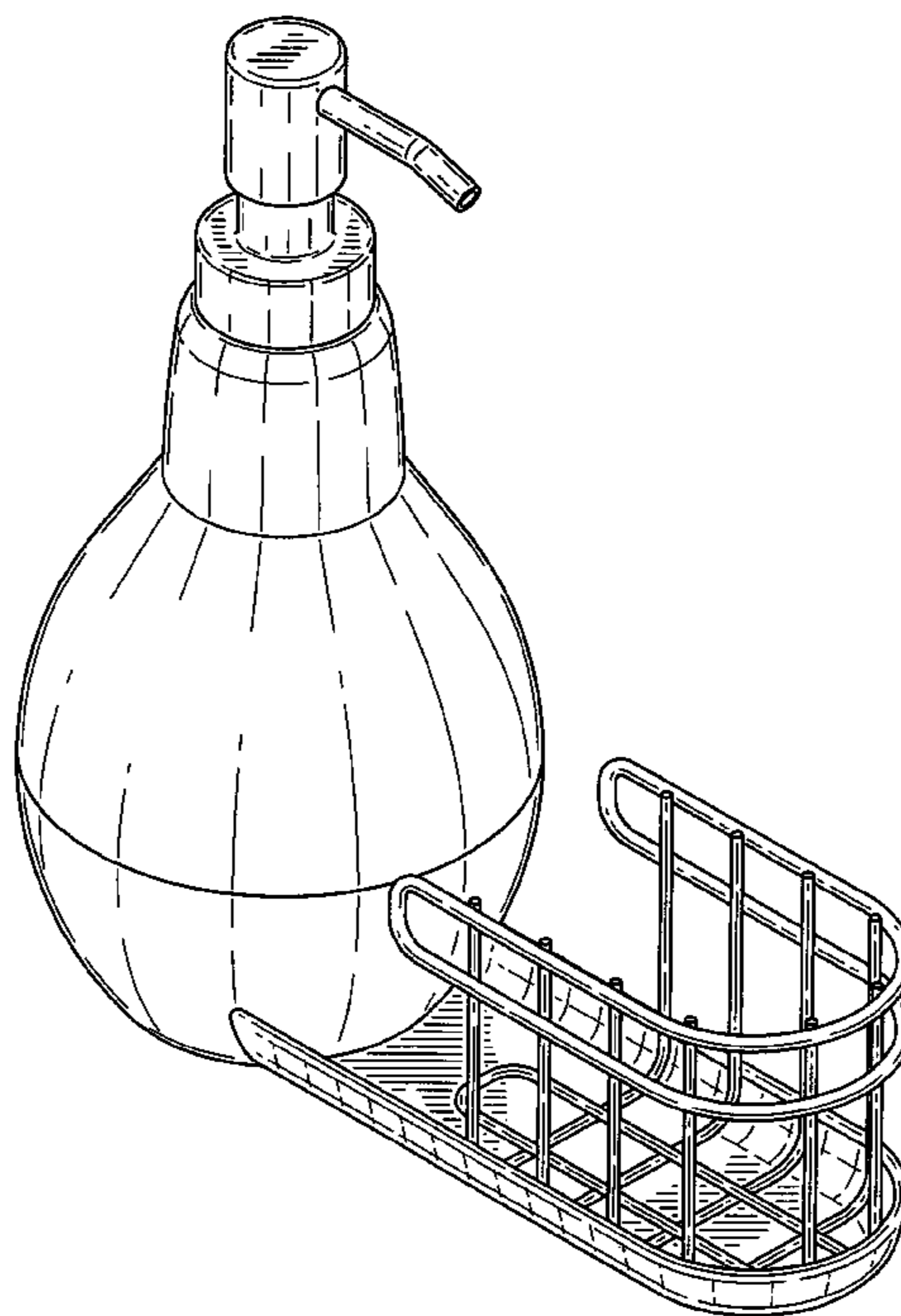
FIG. 4 is a top view of the soap dispenser and scrub holder as shown in FIG. 1;

FIG. 5 is a bottom view of the soap dispenser and scrub holder as shown in FIG. 1;

FIG. 6 is a side view of the soap dispenser and scrub holder as shown in FIG. 1, shown from the opposite side as that shown in FIG. 4; and,

FIG. 7 is a rear view of the soap dispenser and scrub holder as shown in FIG. 1.

**1 Claim, 4 Drawing Sheets**



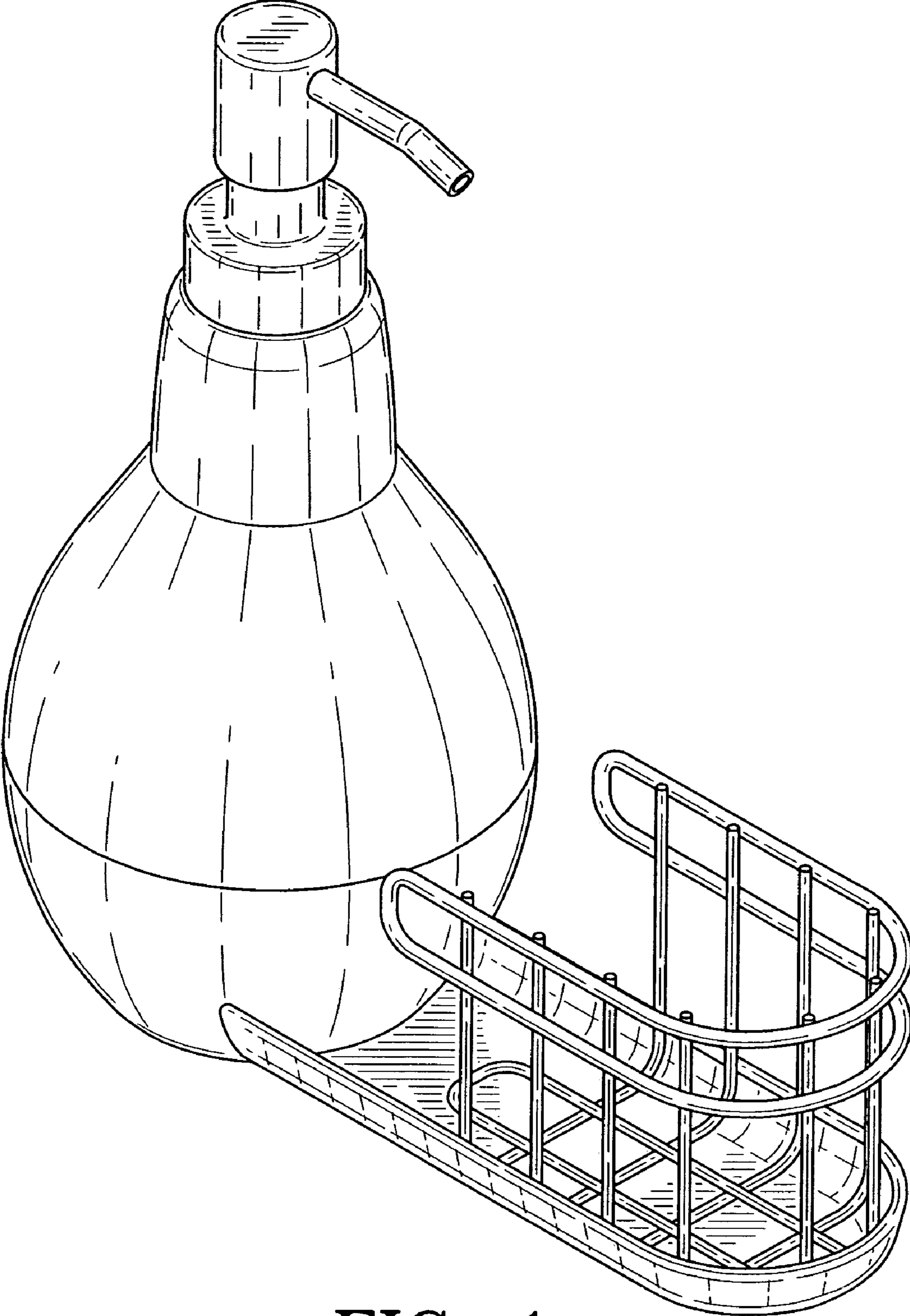


FIG-1

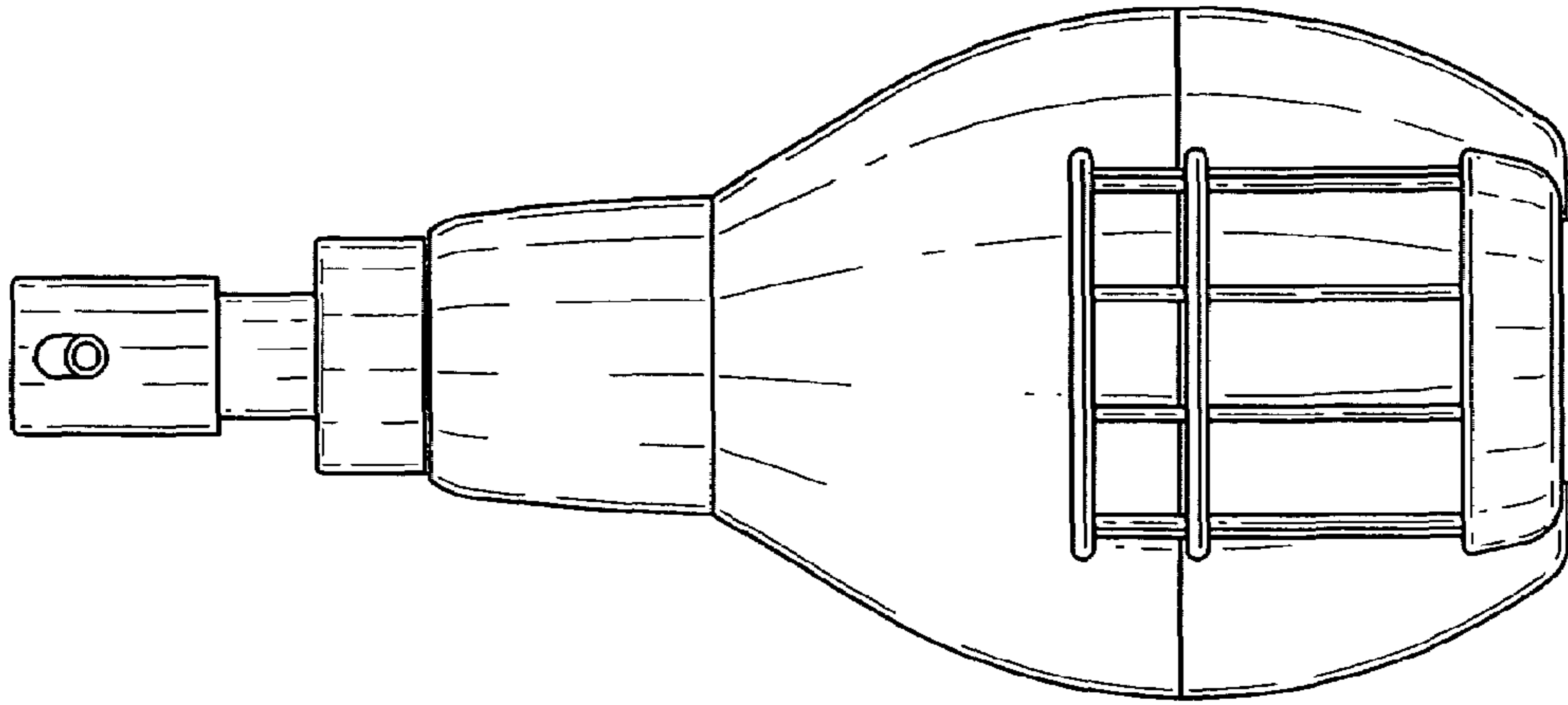


FIG-3

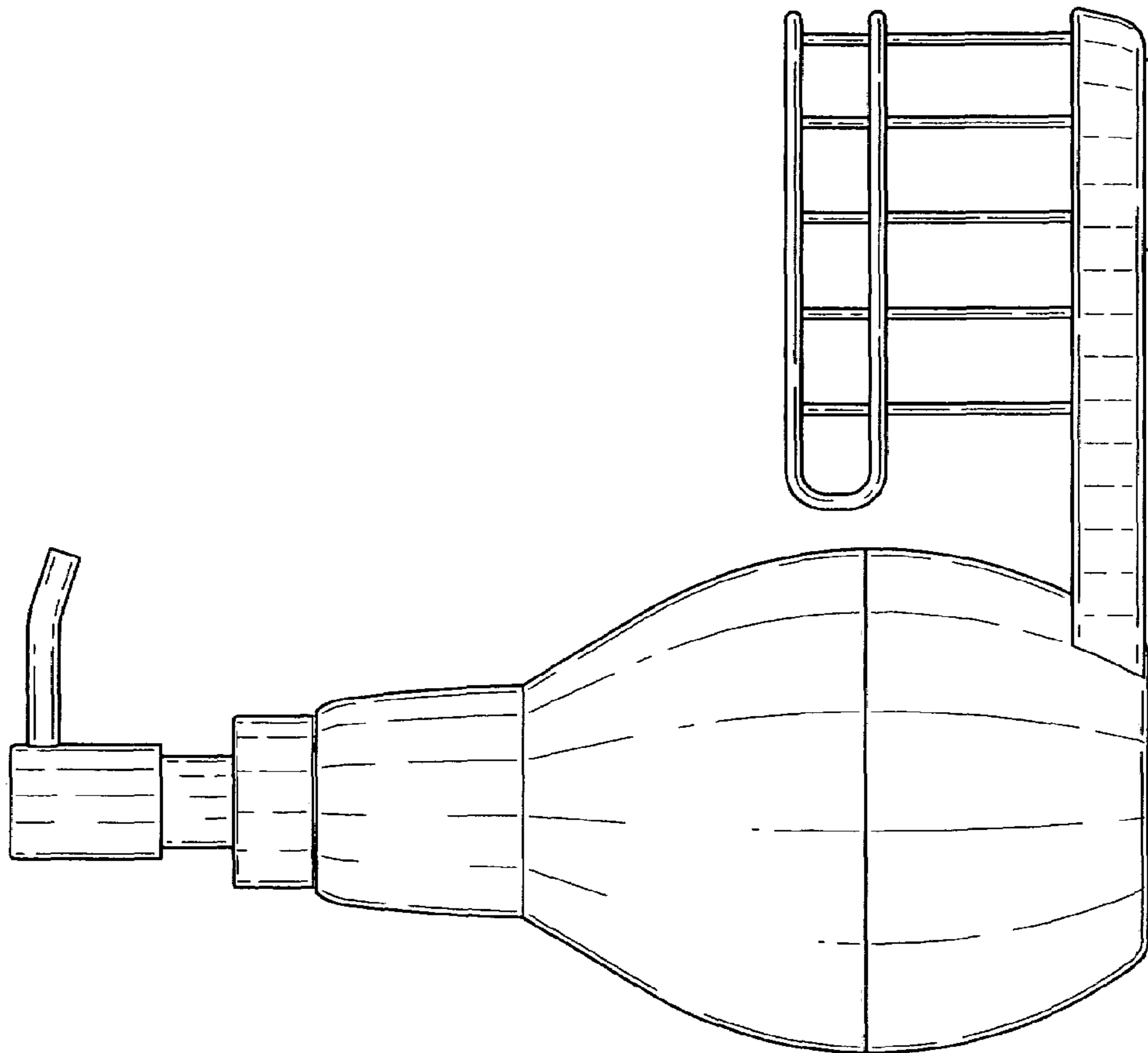


FIG-2

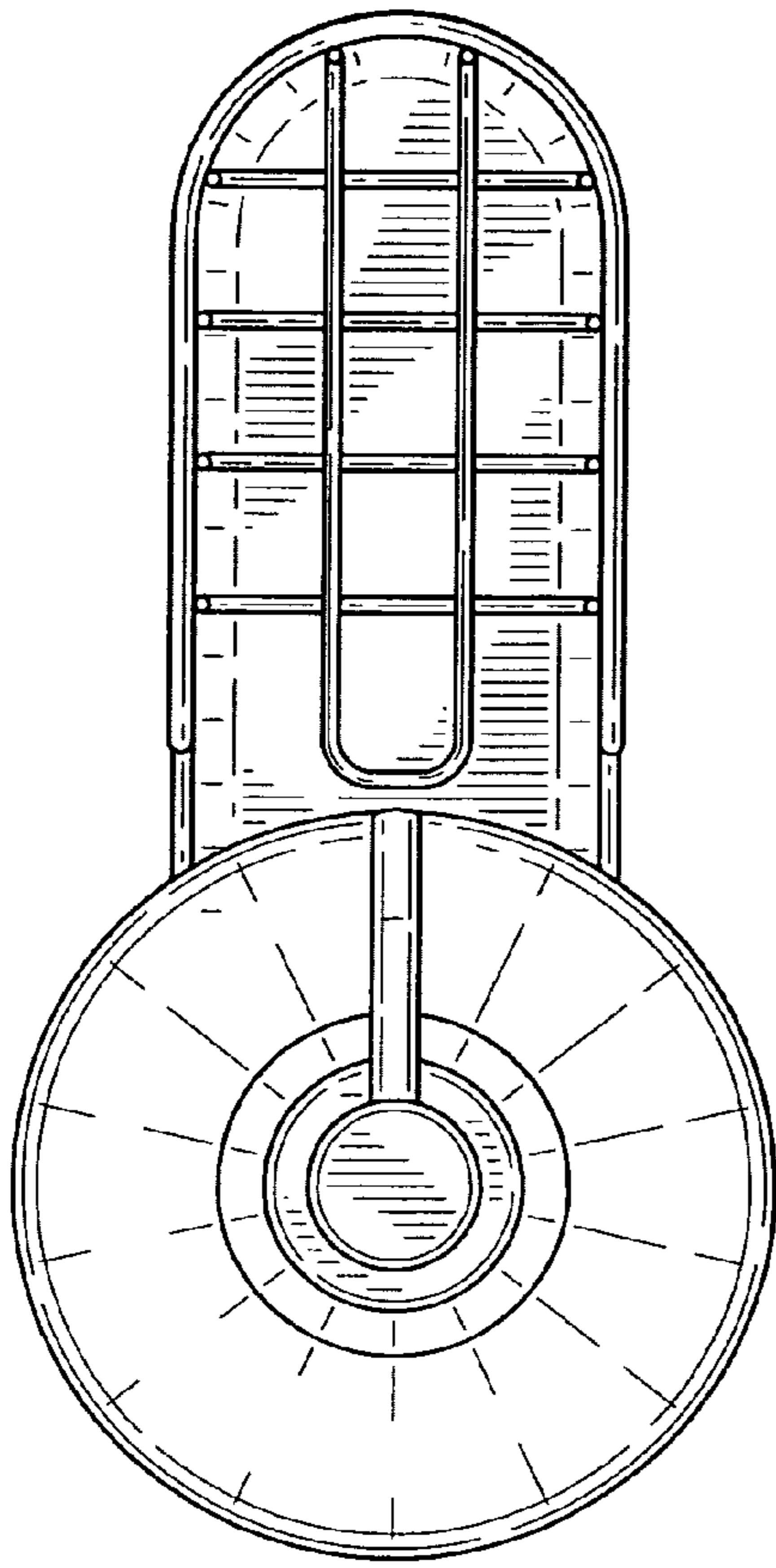


FIG-4

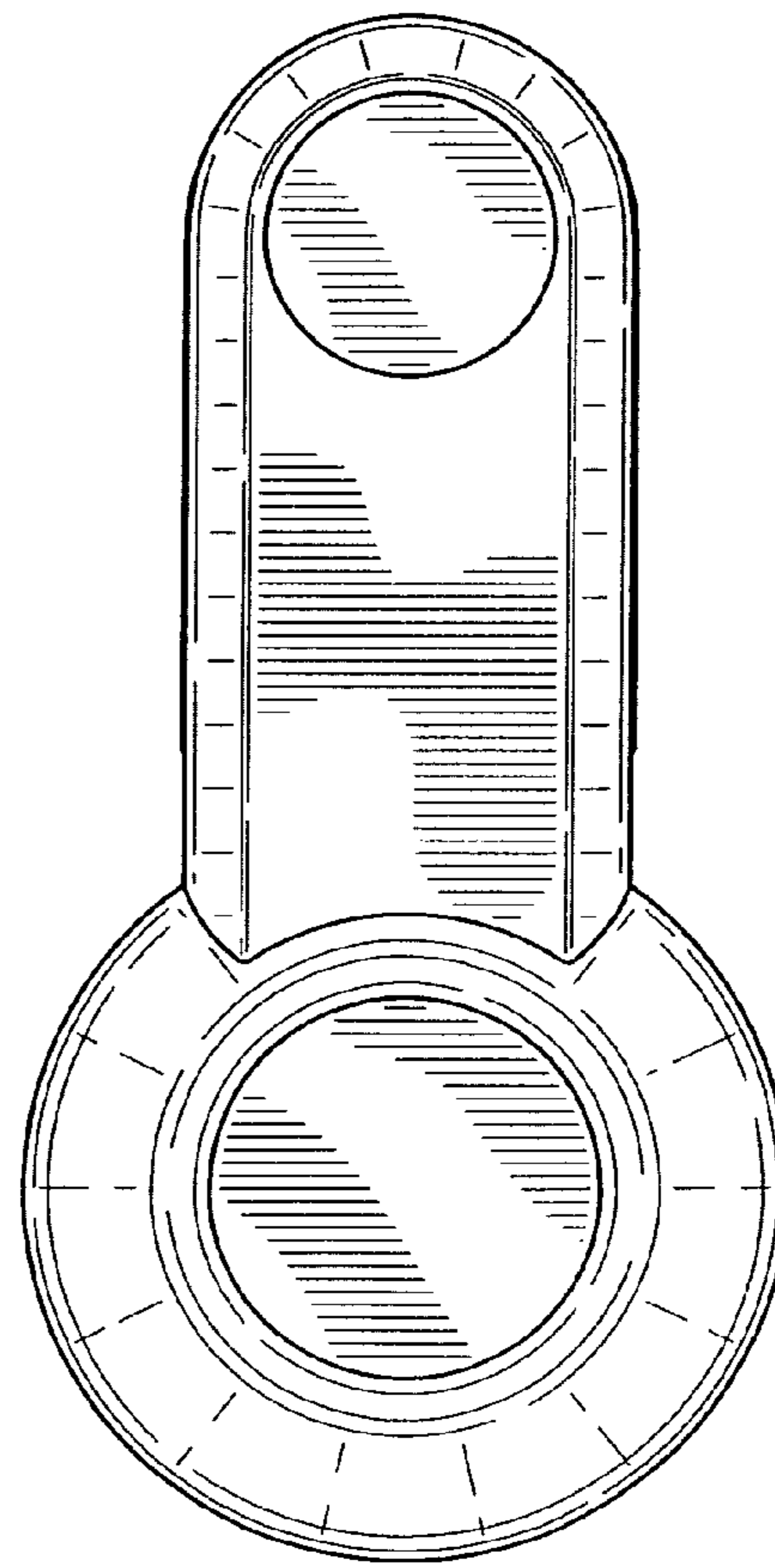


FIG-5

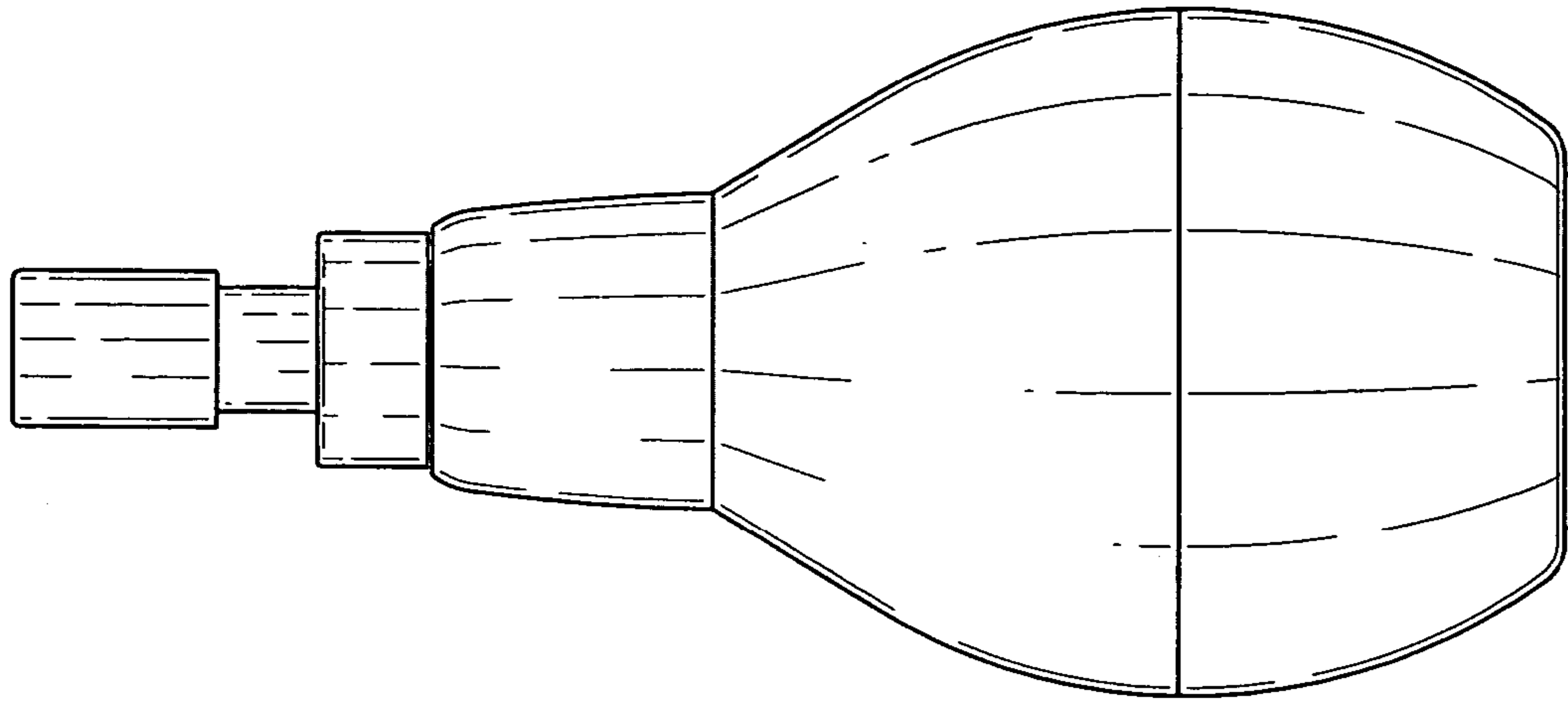


FIG-7

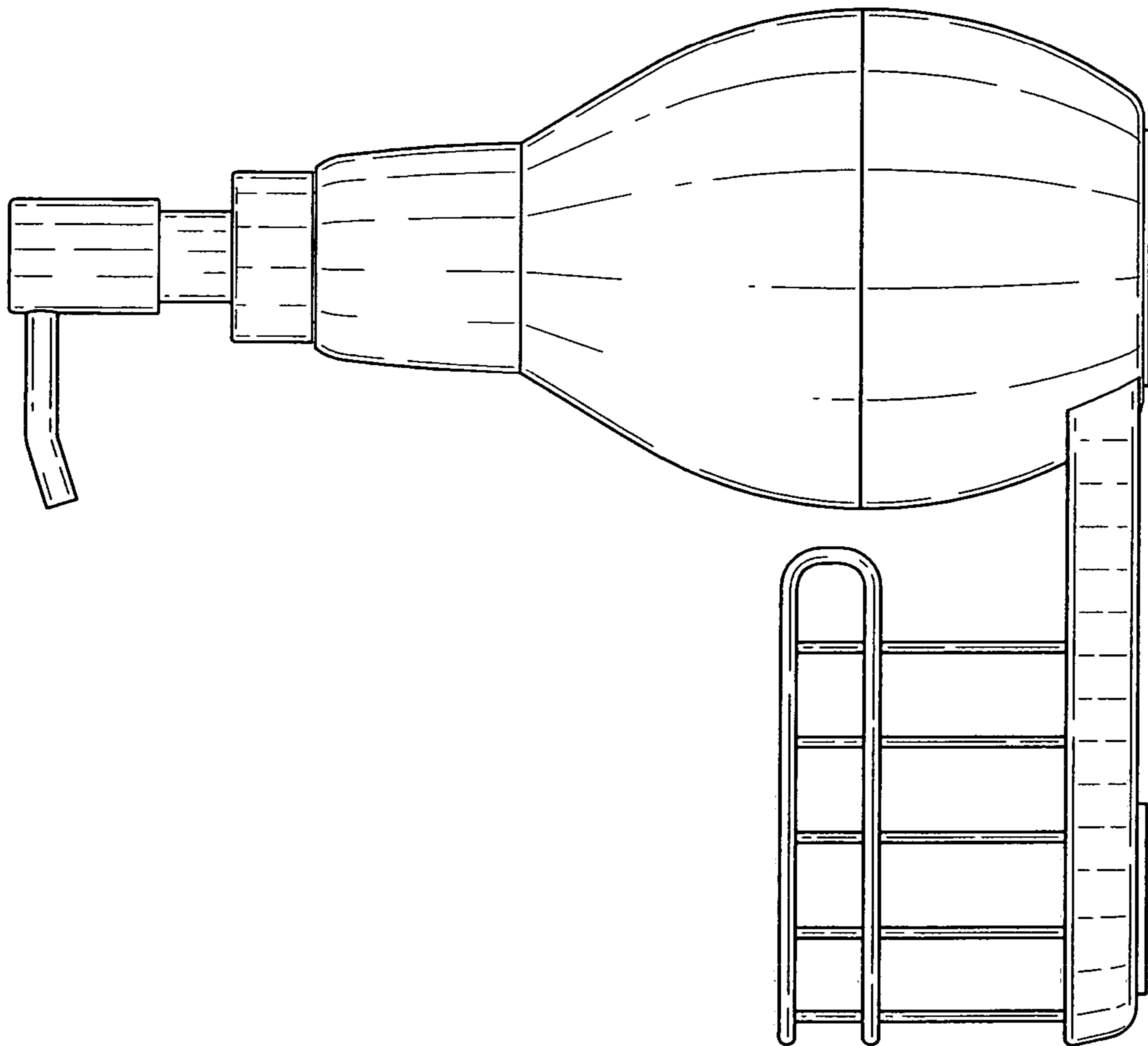


FIG-6