



US00D559599S

(12) **United States Design Patent**
Bickler et al.

(10) **Patent No.:** **US D559,599 S**
(45) **Date of Patent:** **** Jan. 15, 2008**

(54) **TOILET PAPER HOLDER**

(75) Inventors: **Marc Bickler**, Charlotte, NC (US);
Victor Hoernig, Lowell, IN (US);
Geraint Krumpe, Chicago, IL (US)

(73) Assignee: **Brasstech, Inc.**, Santa Ana, CA (US)

(**) Term: **14 Years**

(21) Appl. No.: **29/279,502**

(22) Filed: **May 2, 2007**

(51) **LOC (8) Cl.** **23-02**

(52) **U.S. Cl.** **D6/523**

(58) **Field of Classification Search** D6/515-524,
D6/546-550; D8/300, 303, 315-321; 108/28-29;
211/13.1, 16, 60.1, 86.01, 87.01, 88.01, 88.04,
211/100, 105.1-105.2, 123, 181.1, 182; 248/175,
248/176.1, 251, 302; 16/110.1, 412, 415;
242/570, 590, 595-598

See application file for complete search history.

(56) **References Cited**

U.S. PATENT DOCUMENTS

D385,446 S * 10/1997 Keserica D6/523
D439,086 S * 3/2001 Milrud et al. D6/523
D455,588 S * 4/2002 Ou-Young D6/523

D465,366 S * 11/2002 Ouyoung D6/523
D477,731 S * 7/2003 Hoernig D6/523
D486,681 S * 2/2004 Hoernig D6/523
D492,865 S * 7/2004 Graves et al. D6/523
D532,228 S * 11/2006 Snell D6/522
D541,089 S * 4/2007 Massaud D6/523

* cited by examiner

Primary Examiner—Brian N Vinson

(74) *Attorney, Agent, or Firm*—Edgar A. Zarins; Lloyd D. Doigan

(57) **CLAIM**

The ornamental design for a toilet paper holder, as shown and described.

DESCRIPTION

FIG. 1 is a front perspective view of a toilet paper holder showing our design;

FIG. 2 is a top plan view thereof;

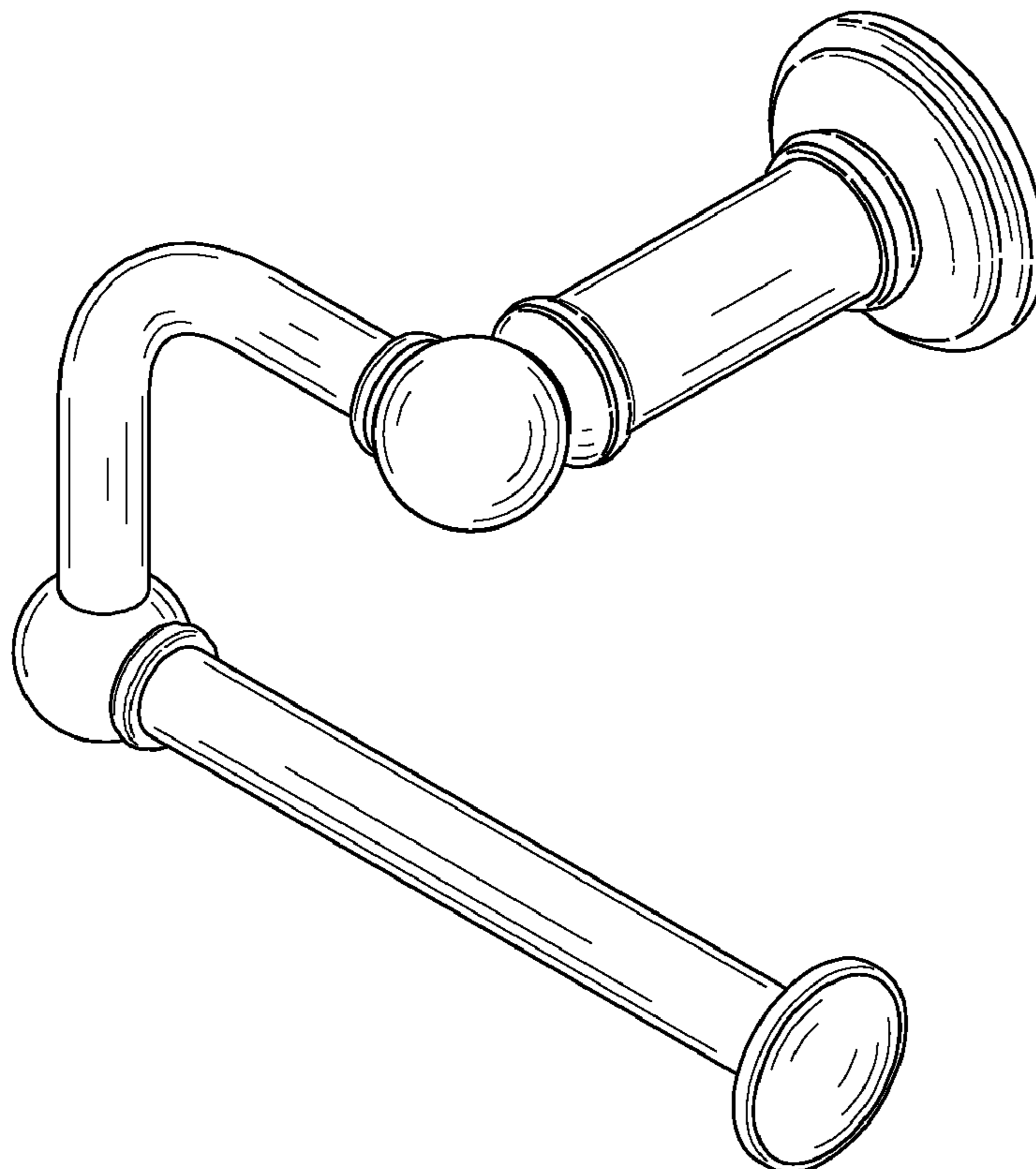
FIG. 3 is a bottom plan view thereof;

FIG. 4 is a right side elevational view thereof;

FIG. 5 is a left side elevational view thereof; and,

FIG. 6 is a front elevational view thereof.

1 Claim, 6 Drawing Sheets



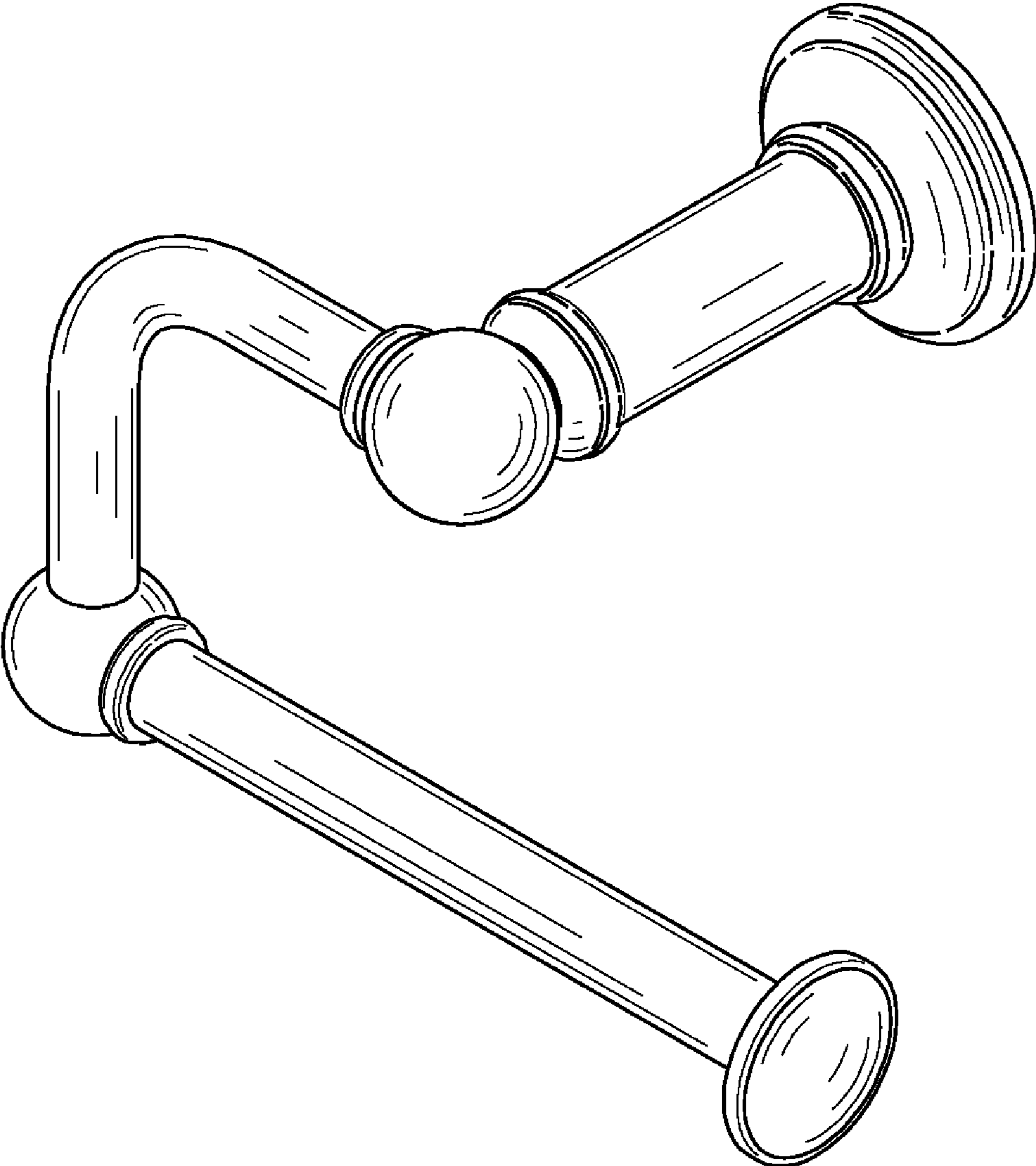


FIG. 1

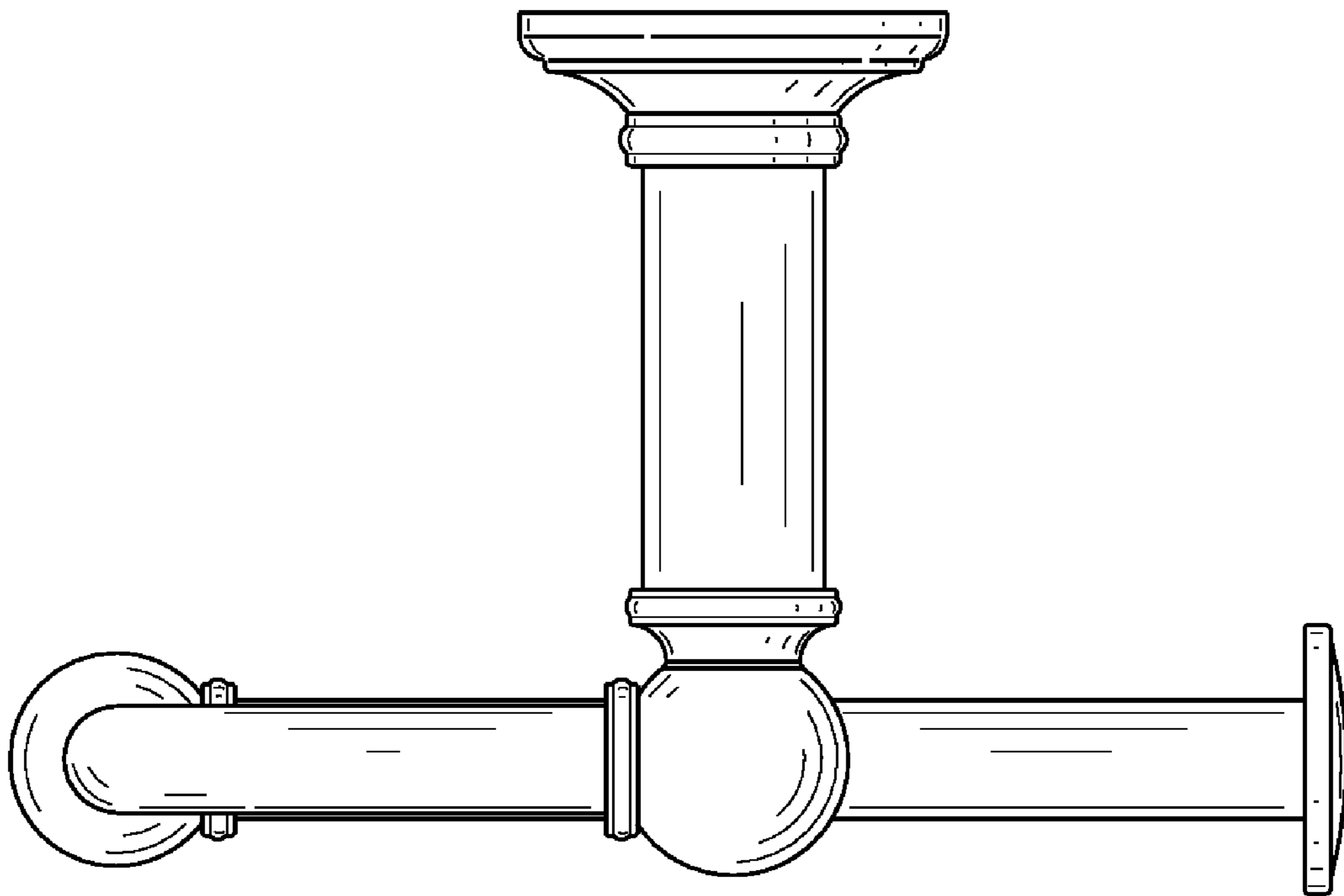


FIG. 2

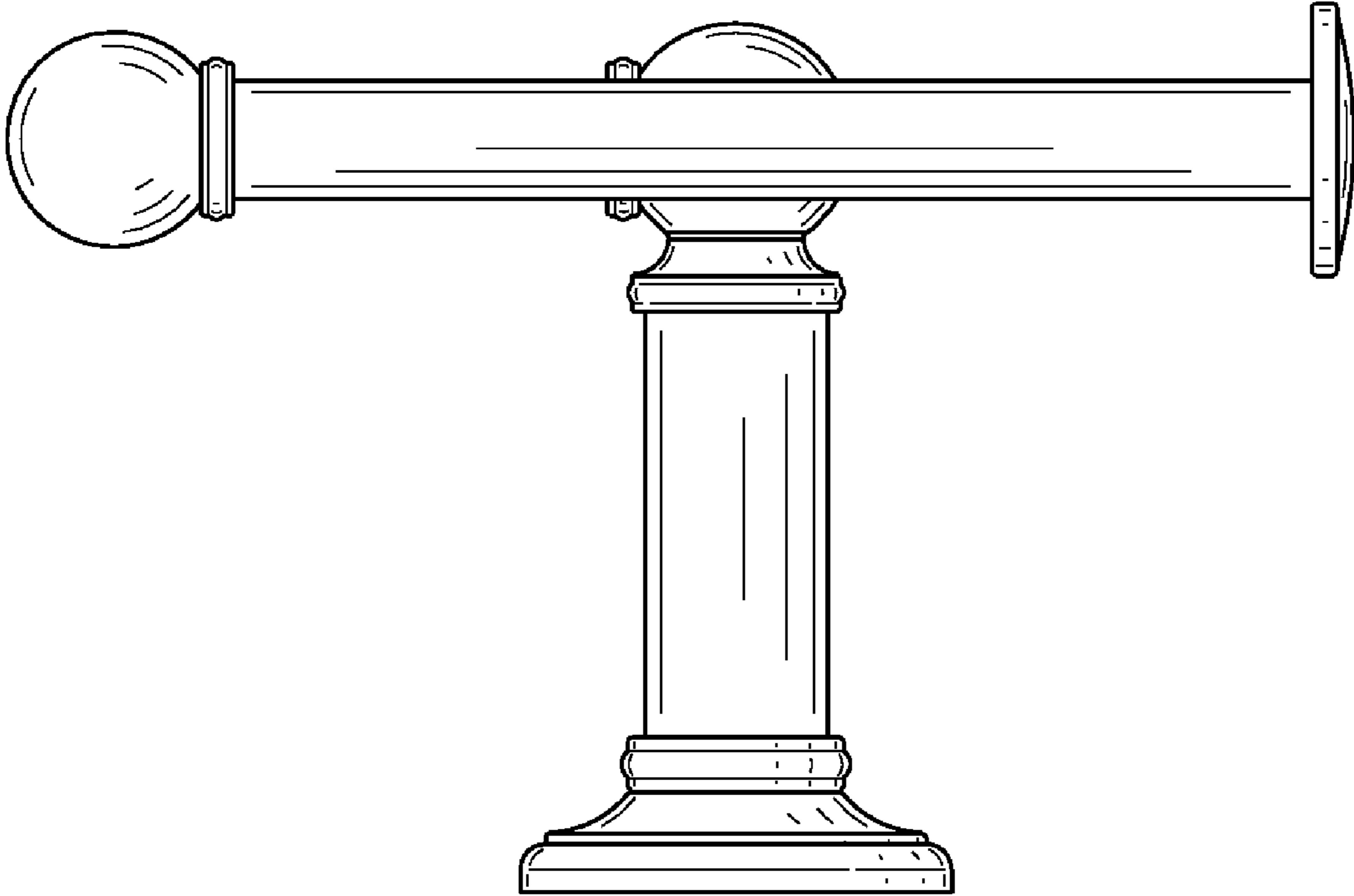


FIG. 3

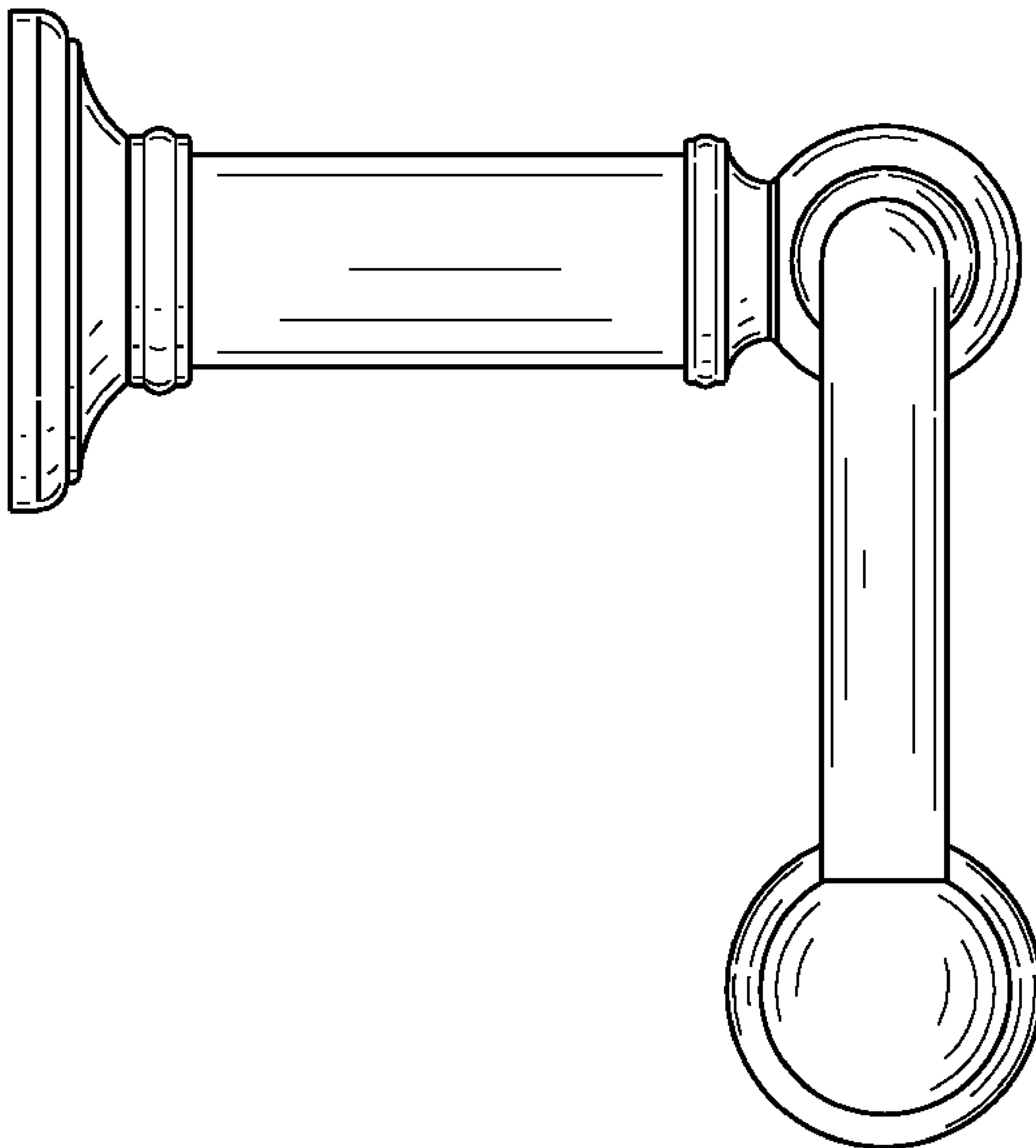


FIG. 4

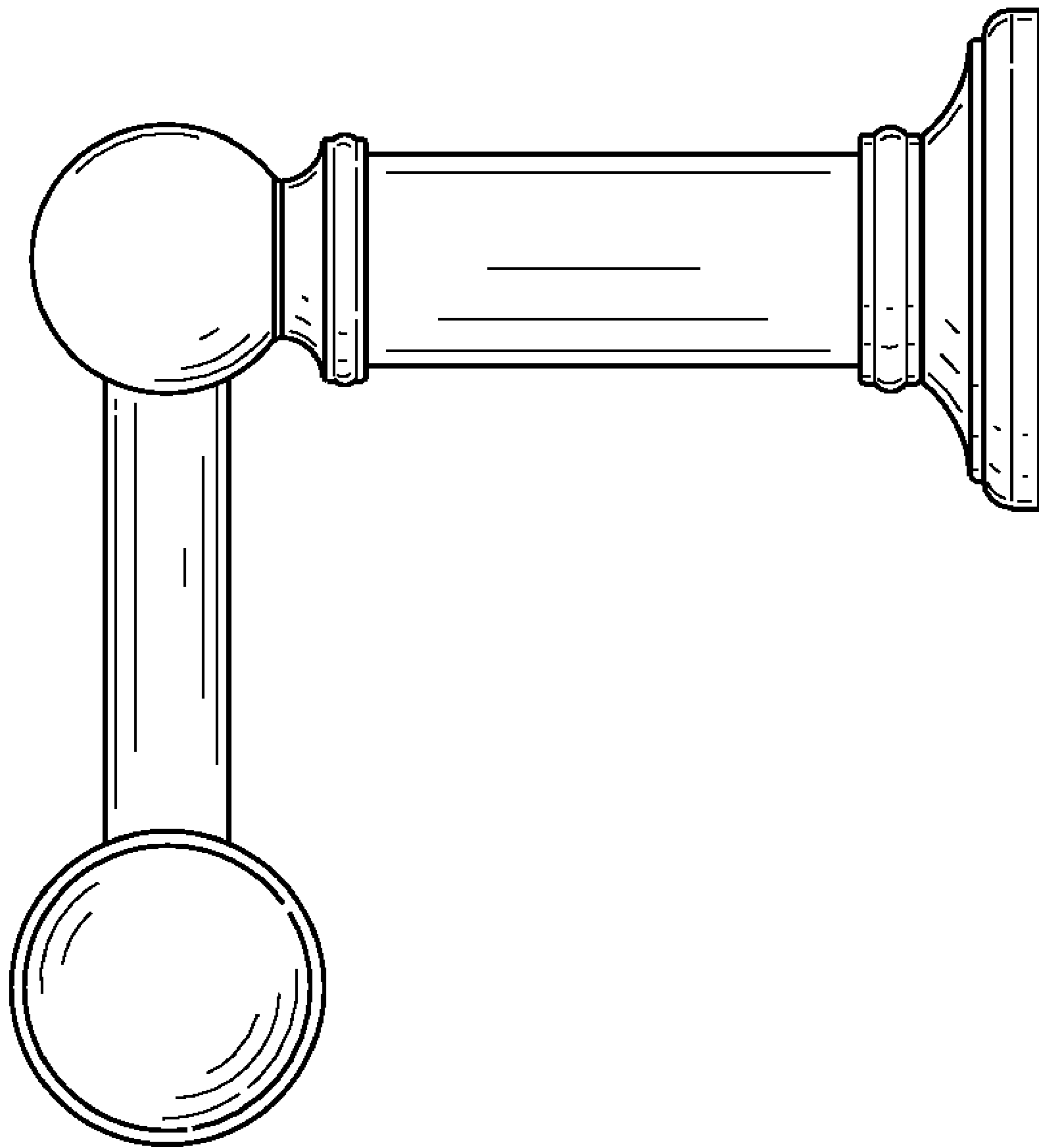


FIG. 5

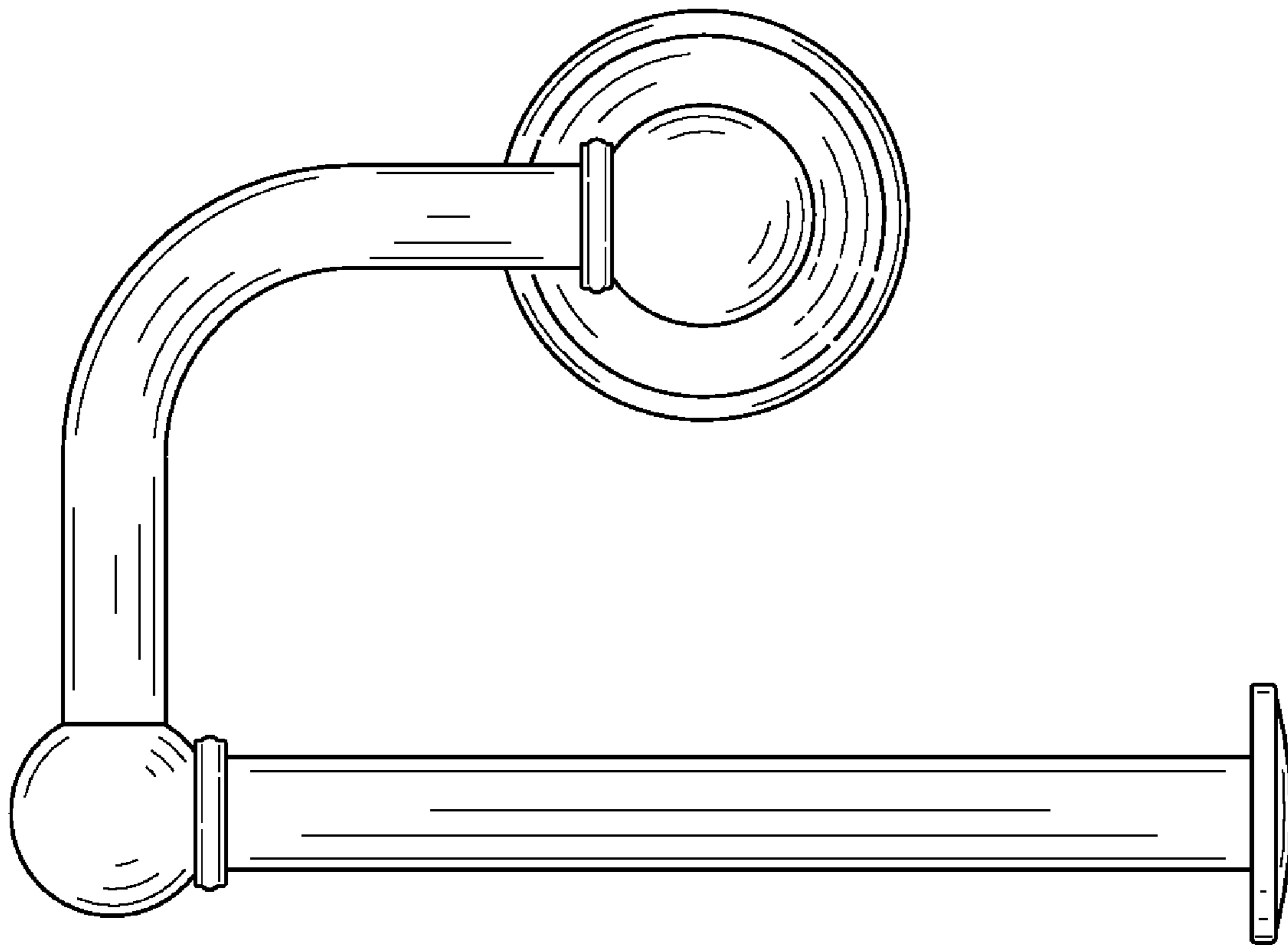


FIG. 6