



US00D559598S

(12) **United States Design Patent**
Bickler et al.

(10) **Patent No.:** **US D559,598 S**
(45) **Date of Patent:** **** Jan. 15, 2008**

(54) **TOILET PAPER HOLDER**
(75) Inventors: **Marc Bickler**, Charlotte, NC (US);
Victor Hoernig, Lowell, IN (US);
Geraint Krumpe, Chicago, IL (US)

6,227,506 B1 * 5/2001 Benedict 248/249
D476,837 S * 7/2003 Hoernig D6/527
D476,838 S * 7/2003 Hoernig D6/527
D477,732 S * 7/2003 Hoernig D6/527
D493,313 S * 7/2004 Hoernig D6/524

(73) Assignee: **Brasstech, Inc.**, Santa Ana, CA (US)

* cited by examiner

(**) Term: **14 Years**

Primary Examiner—Brian N Vinson
(74) *Attorney, Agent, or Firm*—Edgar A. Zarins; Lloyd D. Doigan

(21) Appl. No.: **29/279,486**

(22) Filed: **May 2, 2007**

(57) **CLAIM**

(51) **LOC (8) Cl.** **23-02**

The ornamental design for a toilet paper holder, as shown and described.

(52) **U.S. Cl.** **D6/523; D6/574**

(58) **Field of Classification Search** D6/518–524,
D6/548–550; D8/300, 303, 315–321, 349,
D8/354, 363, 373, 380; 108/28–29; 211/13.1,
211/16, 60.1, 100, 86.01, 87.01, 88.01, 88.04,
211/105.1–105.2, 123, 182, 181.1; 248/176,
248/176.1, 251, 302, 309.1; 16/110.1, 412,
16/415; 242/570, 590, 595–598

DESCRIPTION

See application file for complete search history.

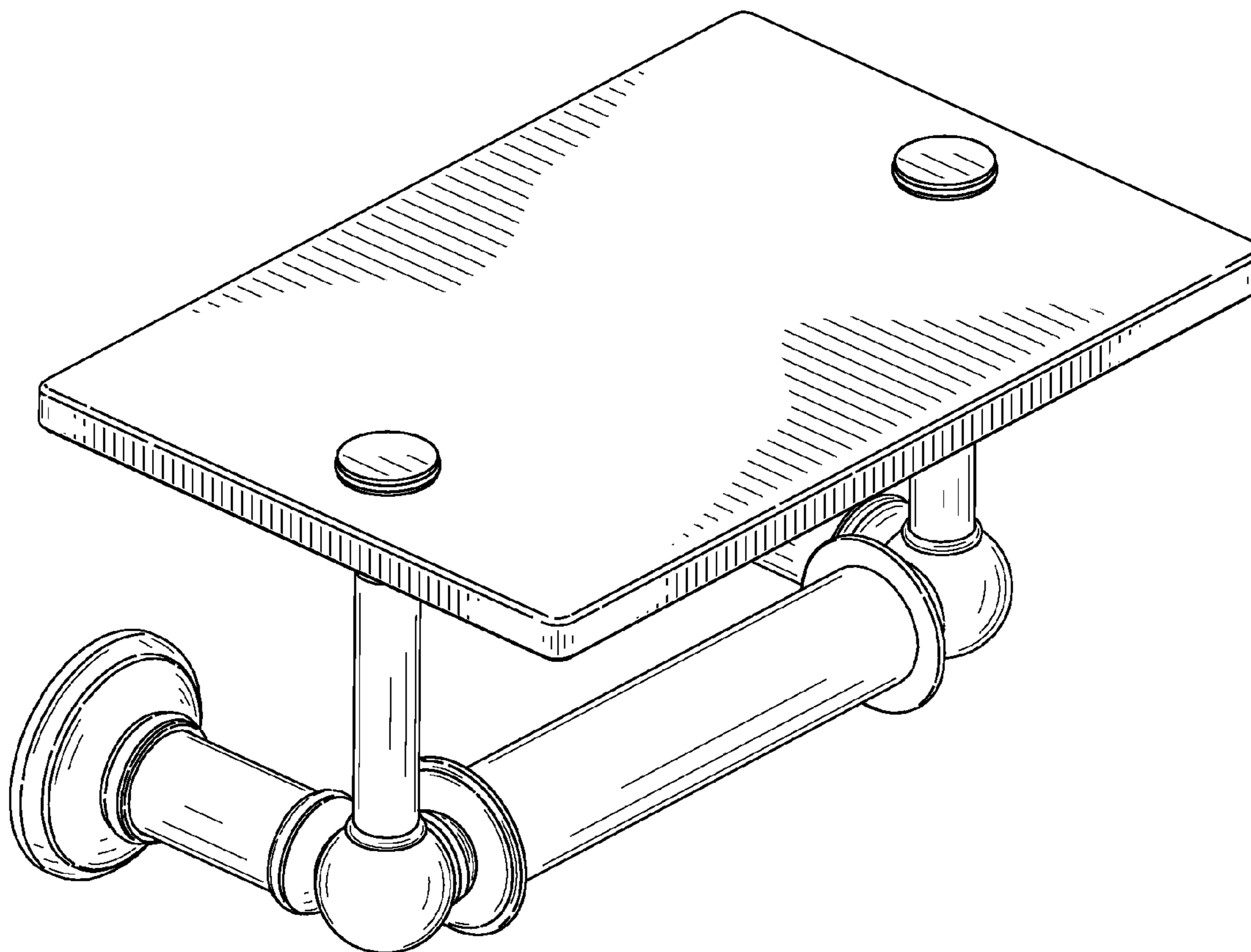
FIG. 1 is a front perspective view of a toilet paper holder showing our design;
FIG. 2 is a top plan view thereof;
FIG. 3 is a bottom plan view thereof;
FIG. 4 is a front elevational view thereof;
FIG. 5 is a right side elevational view thereof; and,
FIG. 6 is a left side elevational view thereof.

(56) **References Cited**

U.S. PATENT DOCUMENTS

4,154,420 A * 5/1979 Mazie et al. 248/251

1 Claim, 6 Drawing Sheets



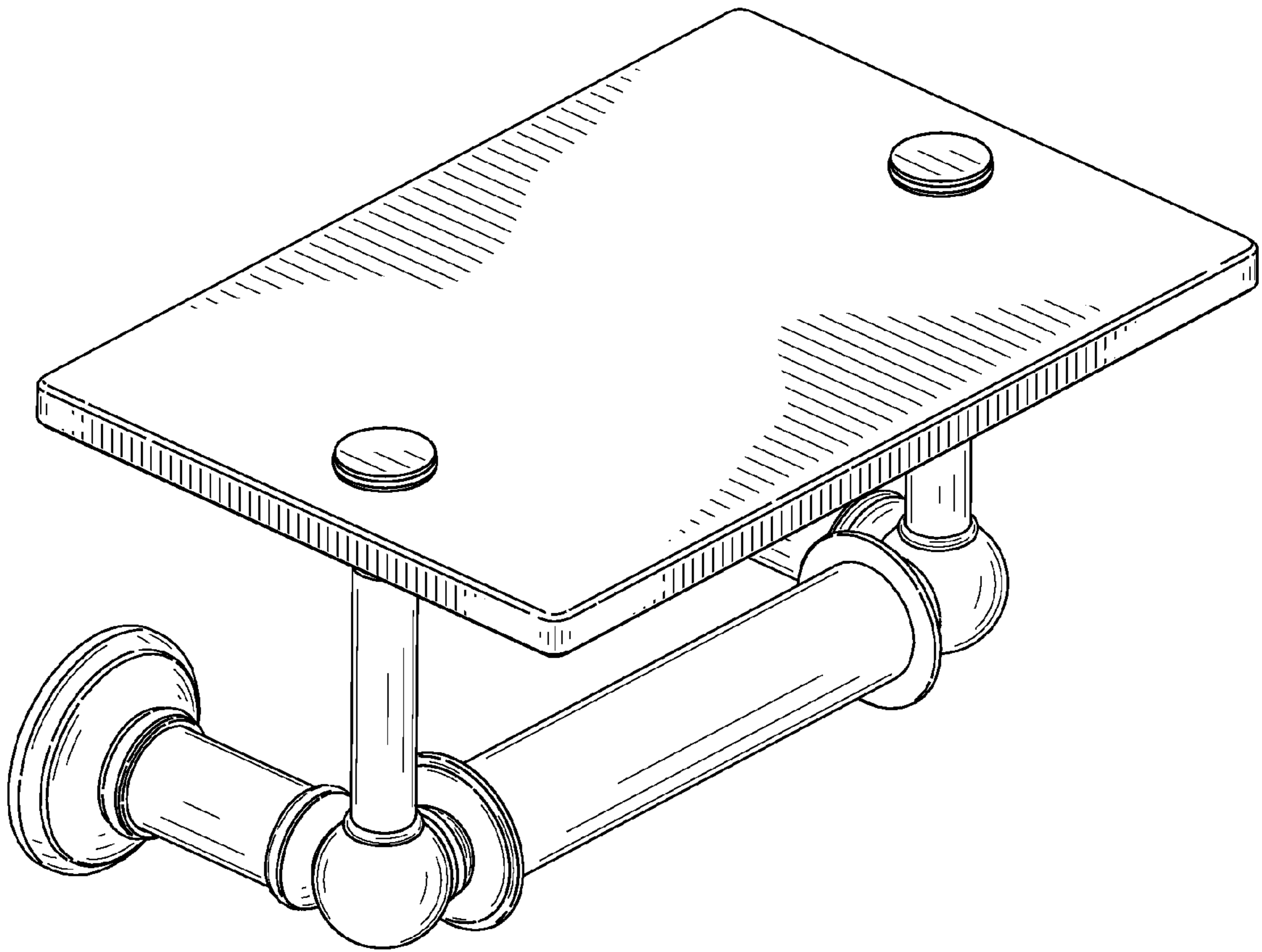


FIG. 1

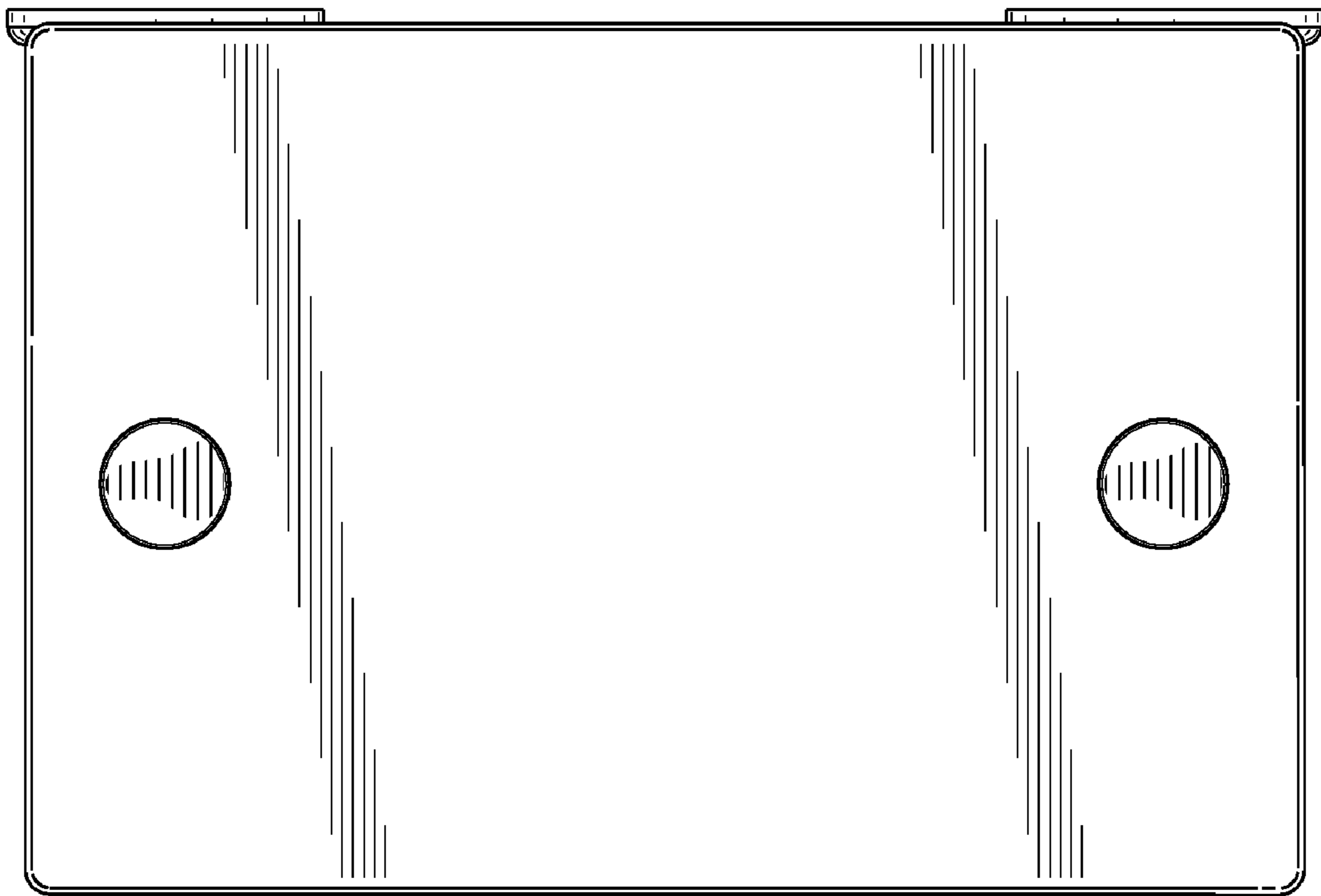


FIG. 2

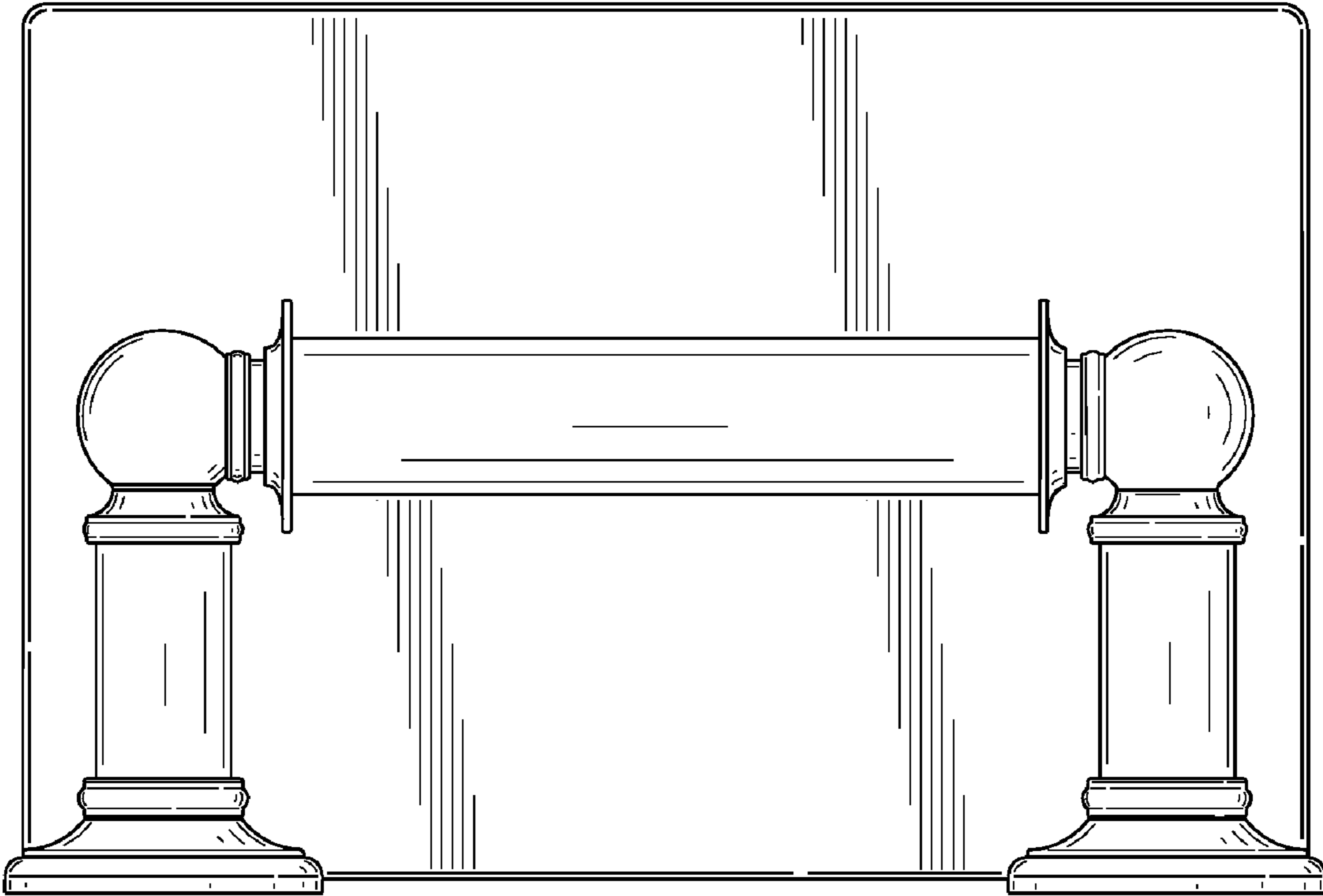


FIG. 3

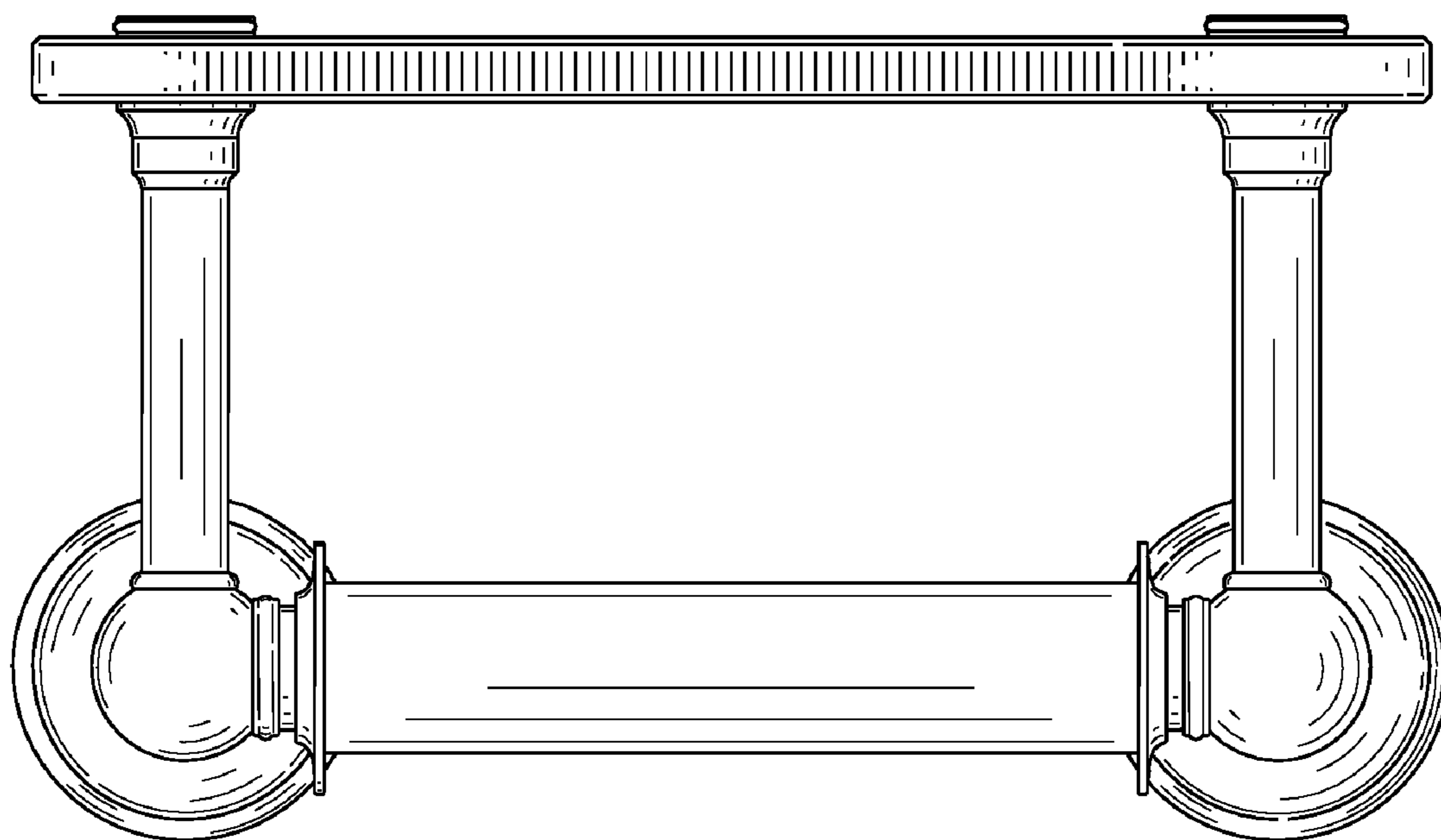


FIG. 4

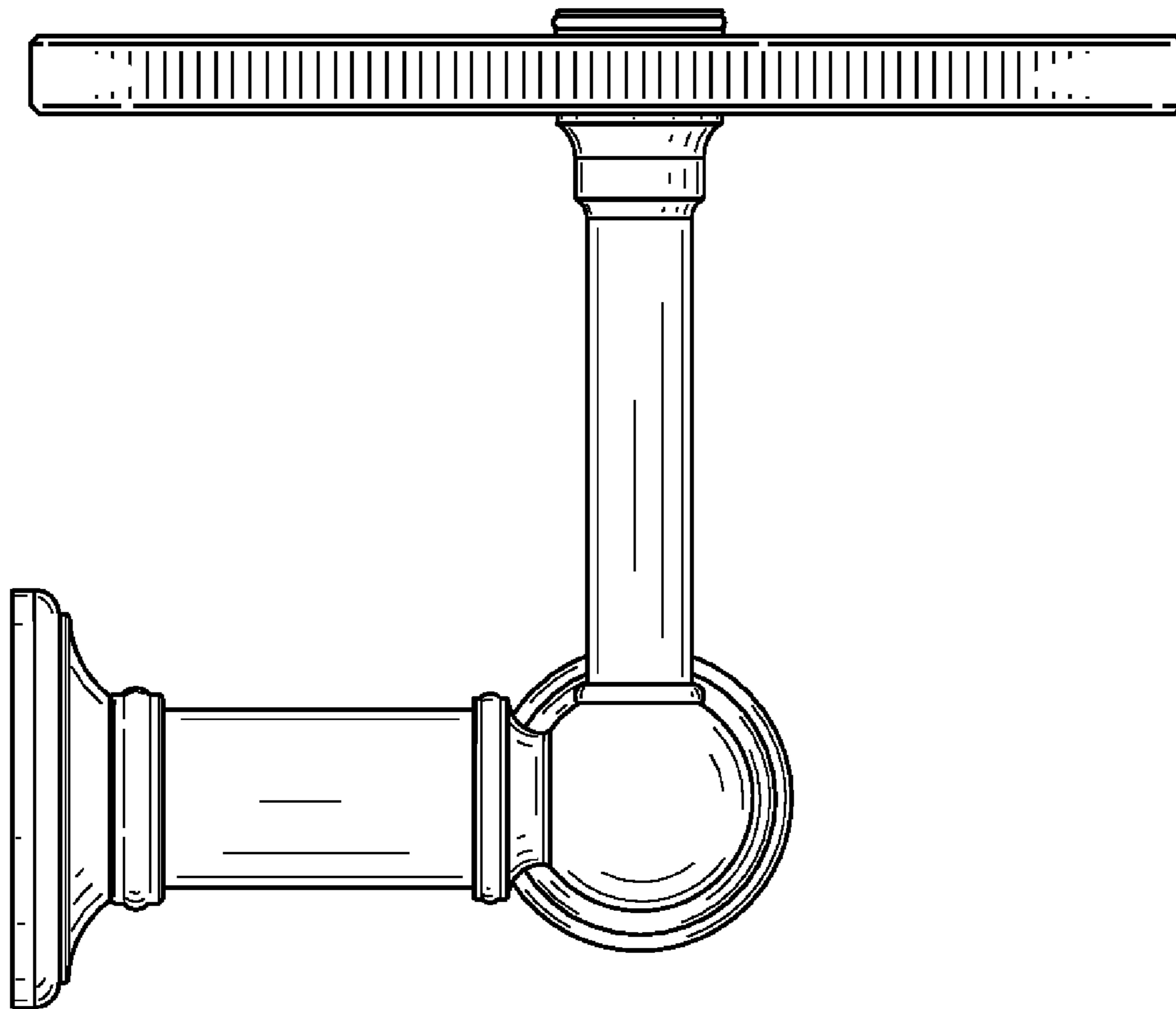


FIG. 5

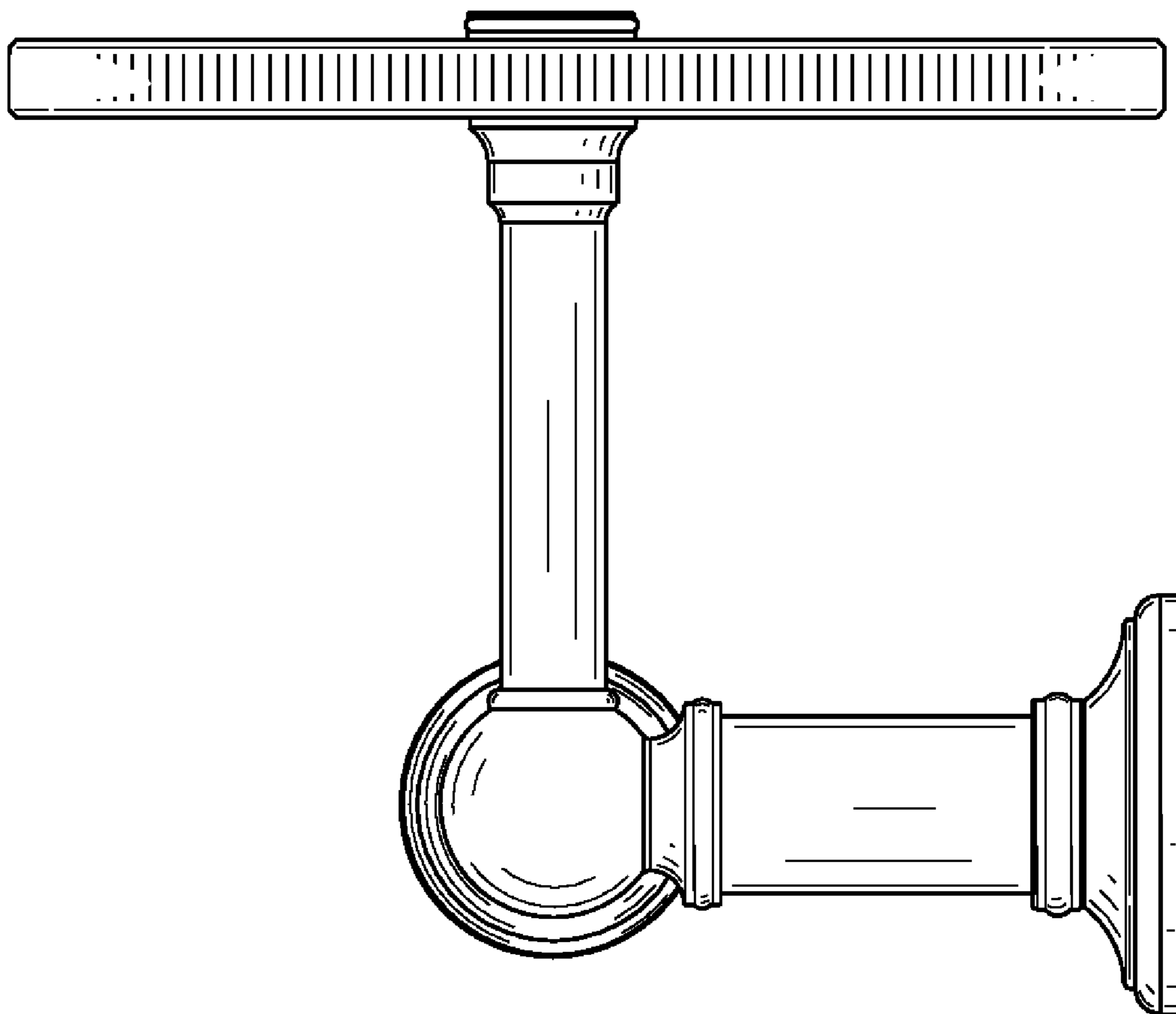


FIG. 6