



US00D559592S

(12) **United States Design Patent**
Glass et al.

(10) **Patent No.: US D559,592 S**
(45) **Date of Patent: ** Jan. 15, 2008**

- (54) **DESK**
- (75) Inventors: **Peter Glass**, Arroyo Grande, CA (US);
Robert J. Mills, Torrance, CA (US)
- (73) Assignee: **Virco Mgmt. Corporation**, Torrance,
CA (US)
- (**) Term: **14 Years**
- (21) Appl. No.: **29/265,138**
- (22) Filed: **Aug. 24, 2006**
- (51) **LOC (8) Cl.** **06-06**
- (52) **U.S. Cl.** **D6/499**
- (58) **Field of Classification Search** D6/480-489,
D6/495-499, 429-431; 108/150, 151, 153.1,
108/161, 155, 156, 157.1, 144.11, 146, 147.19,
108/139, 147.2; 248/188.1, 188, 188.7, 188.8,
248/407

See application file for complete search history.

(56) **References Cited**

U.S. PATENT DOCUMENTS

- D197,653 S * 3/1964 Sundberg et al. D6/496
- D235,824 S * 7/1975 Payne D6/462
- D273,163 S * 3/1984 Halme D6/420
- D274,586 S * 7/1984 Cope et al. D6/420
- D376,931 S 12/1996 Fewchuk
- D399,077 S * 10/1998 Lepper et al. D6/484
- D443,776 S 6/2001 Deimen et al.
- D449,470 S 10/2001 Morrow
- D451,302 S 12/2001 Chang
- D451,306 S 12/2001 Dow
- D452,620 S 1/2002 Wang
- D452,783 S 1/2002 Hecht et al.
- D456,169 S 4/2002 Ko
- D456,632 S 5/2002 Chang
- D464,219 S 10/2002 Hecht et al.
- D467,453 S 12/2002 Kwon
- D472,349 S 2/2003 Risdall
- D472,399 S 4/2003 Casteel
- D473,068 S 4/2003 Holbrook et al.
- D473,399 S 4/2003 Holbrook et al.

- D474,044 S 5/2003 Holbrook et al.
- D474,356 S 5/2003 Bosman et al.
- D474,357 S 5/2003 Chen
- D477,931 S 8/2003 Chang
- D480,240 S 10/2003 Wang
- D480,583 S 10/2003 Risdall
- D487,854 S 3/2004 Tsai
- D488,940 S 4/2004 Tsai
- D498,091 S * 11/2004 Winter et al. D6/495
- D501,336 S 2/2005 Lin
- D510,670 S 10/2005 Glass et al.
- D510,821 S 10/2005 Madison
- D512,587 S * 12/2005 Frenkler et al. D6/480
- D516,340 S 3/2006 Chang
- D516,344 S 3/2006 Cox
- 7,036,437 B2 * 5/2006 Choi et al. 108/118
- D523,633 S 6/2006 Risdall

OTHER PUBLICATIONS

Artco-Bell Corporation "Product Catalog", p. 22, model C800,
undated.

(Continued)

Primary Examiner—Janice E. Seeger

(74) *Attorney, Agent, or Firm*—Robert M. Hupe

(57) **CLAIM**

The ornamental design for a "desk," as shown and
described.

DESCRIPTION

FIG. 1 is a top perspective view of a desk showing my new
design;

FIG. 2 is a front plan view thereof;

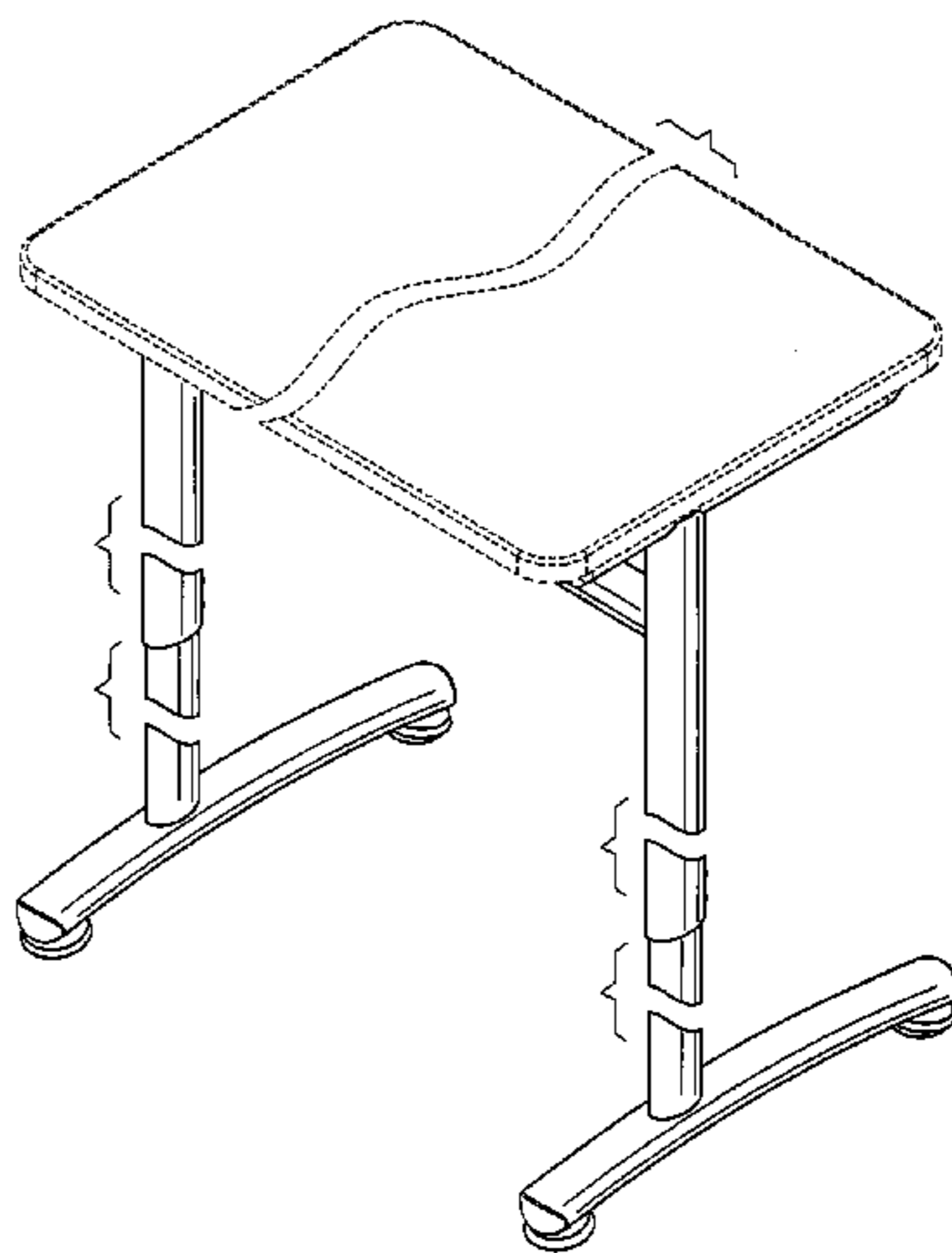
FIG. 3 is a left side view thereof, the opposite side view
being a mirror image thereof;

FIG. 4 is a bottom view thereof; and,

FIG. 5 is a bottom perspective view thereof.

The broken lines are for illustrative purposes only and form
no part of the claimed design.

1 Claim, 3 Drawing Sheets



OTHER PUBLICATIONS

KI Intellect Two-Student Table, www.ki.com, Feb. 28, 2006.
Royal Seating, Ltd., Total Furniture Solutions, p. 16, models 900D
and 905D, and p. 17, model 910D, undated.

Scholar Craft, "School Furniture" catalog, p. 26, model 7950, 2003.
Smith System, "Furniture for Teaching and Technology" catalog, p.
35, models 01380 and 01361, 2004.

* cited by examiner

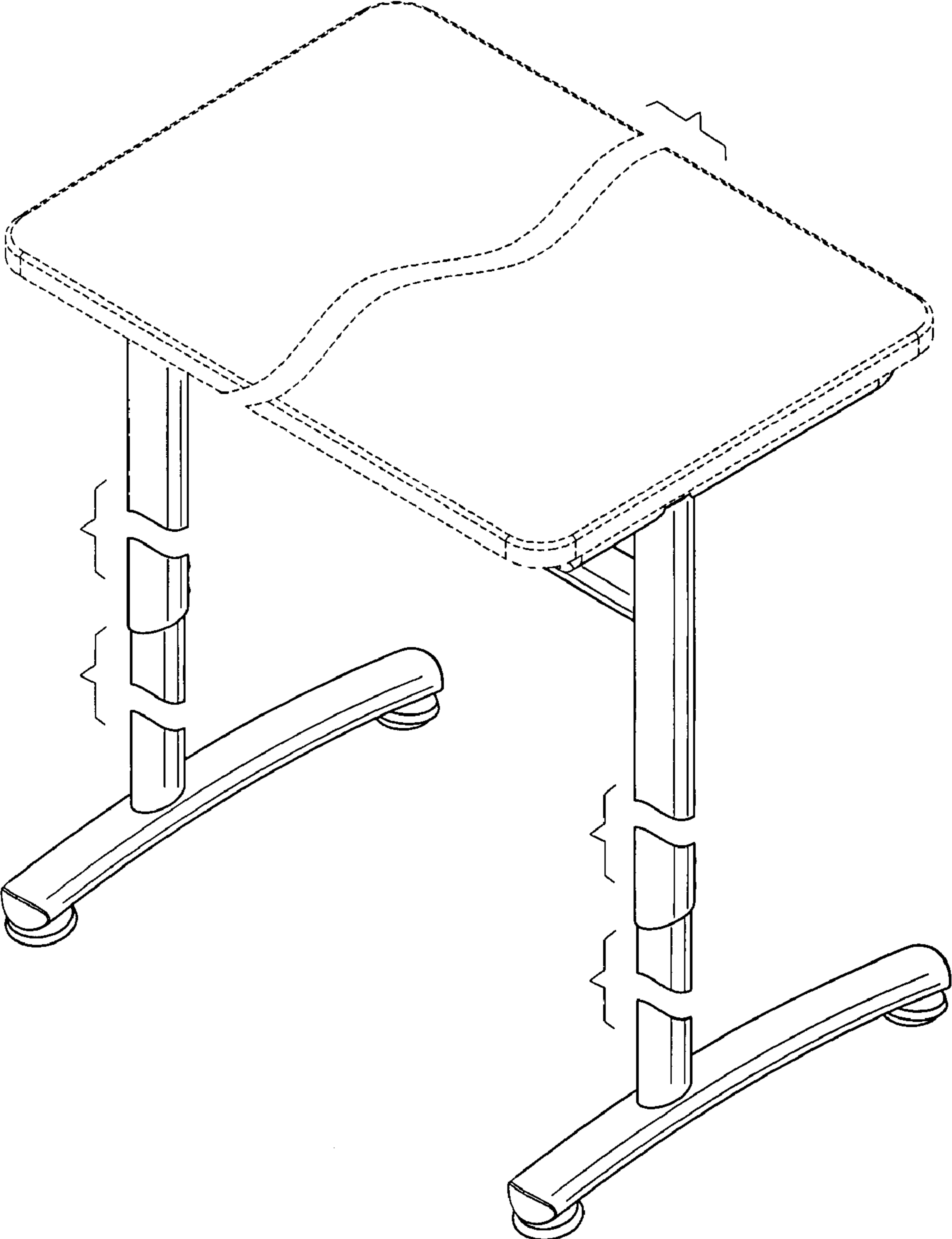


FIG. 1

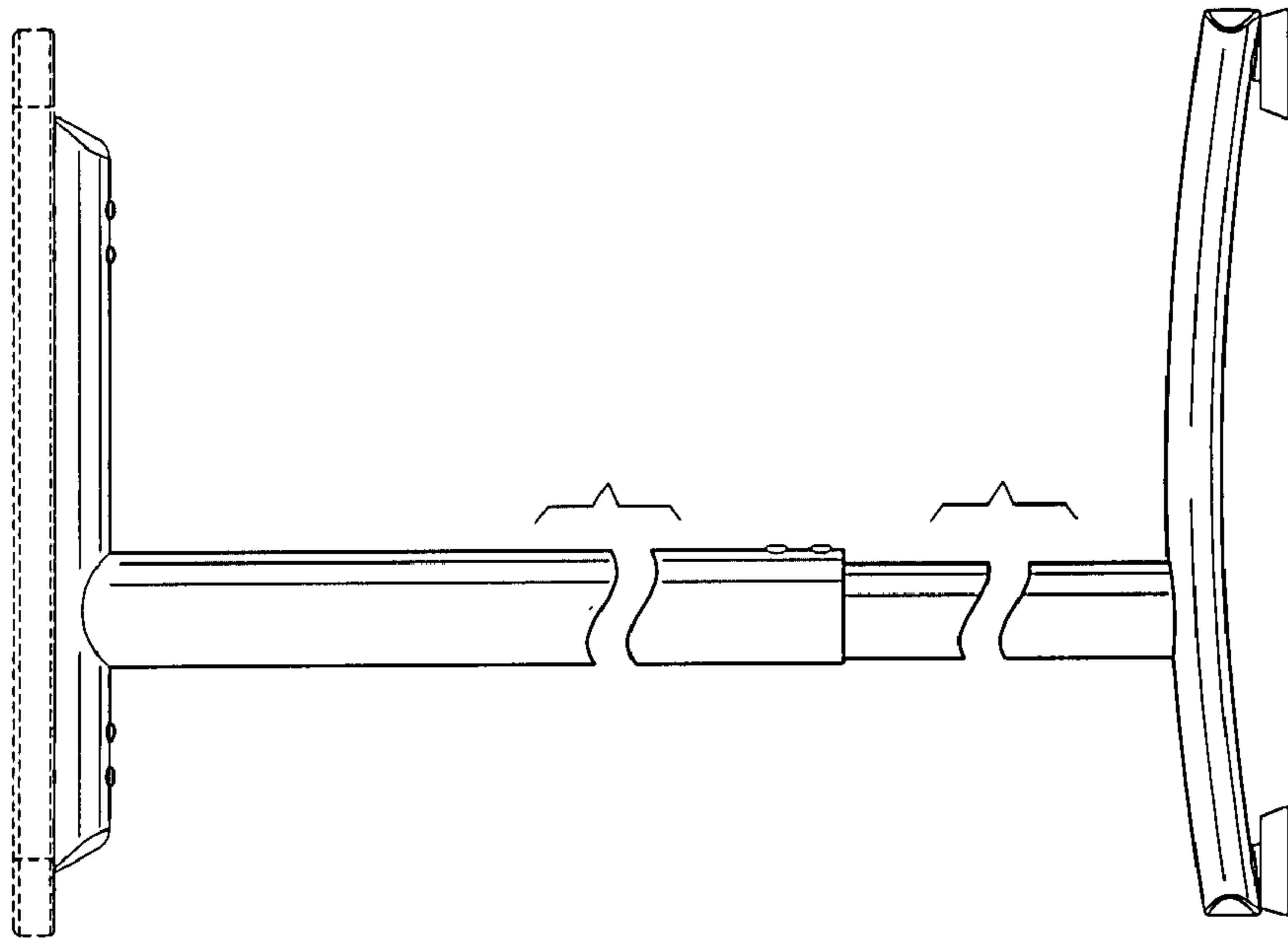


Fig. 3

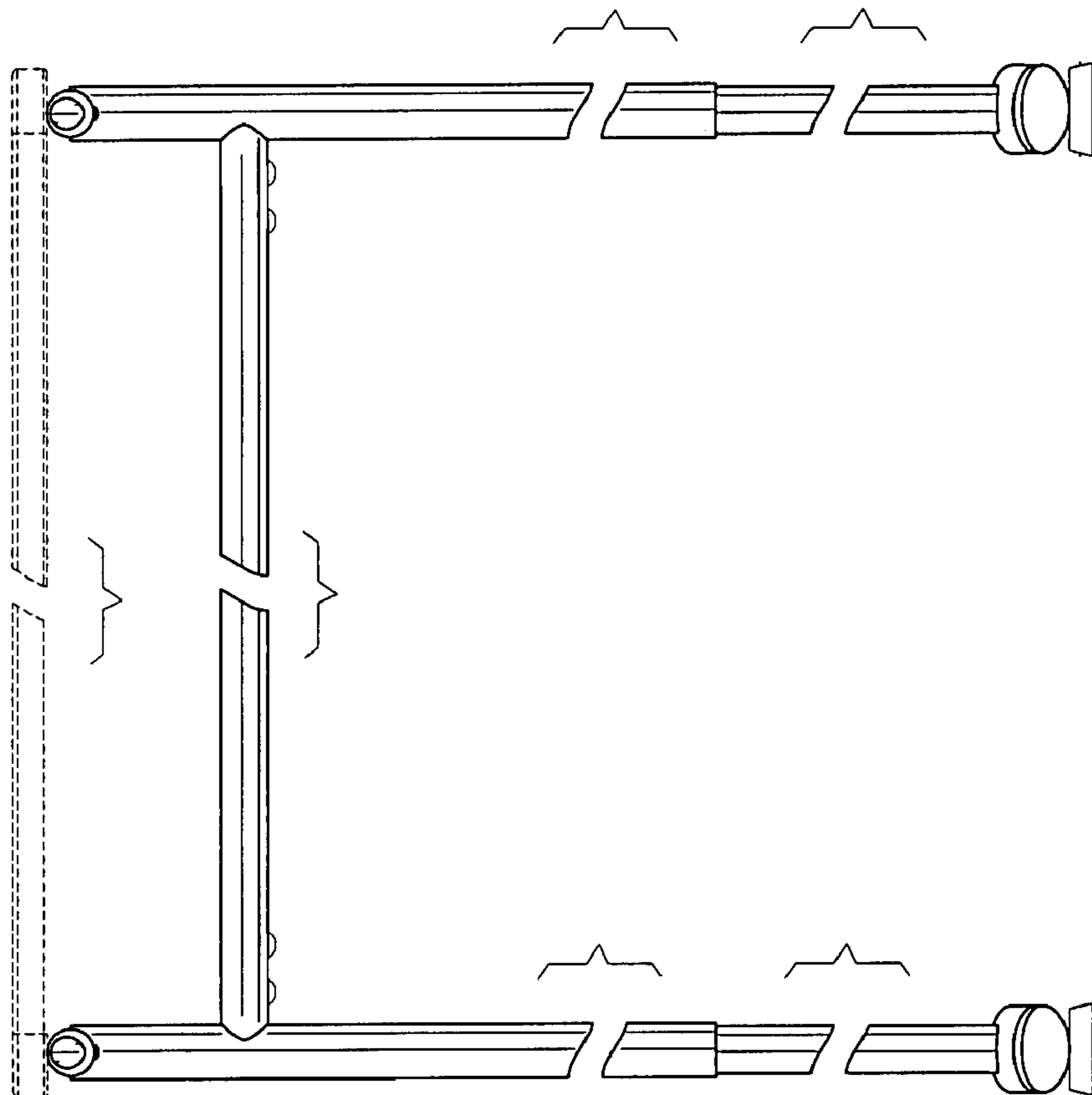


Fig. 2

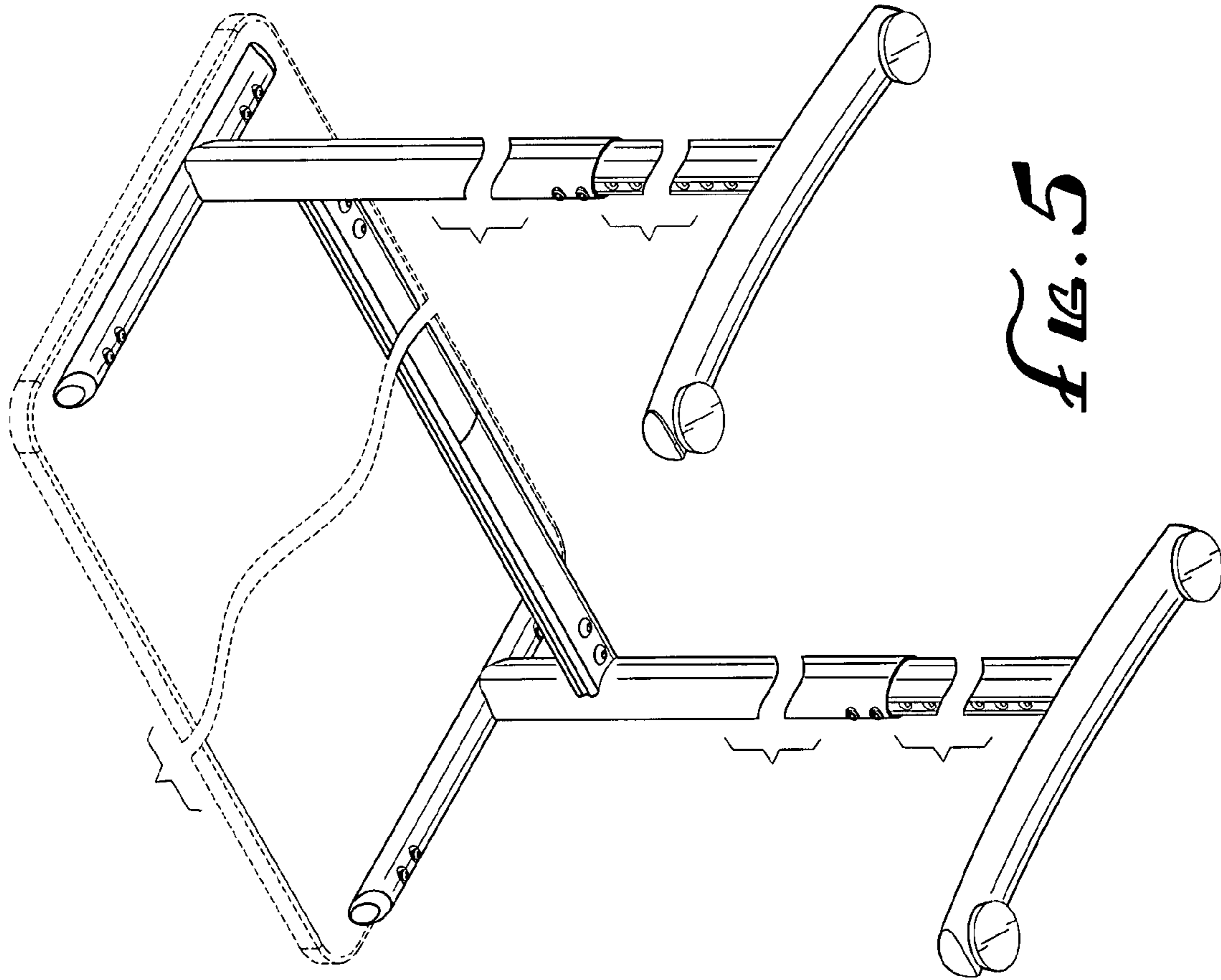


FIG. 5

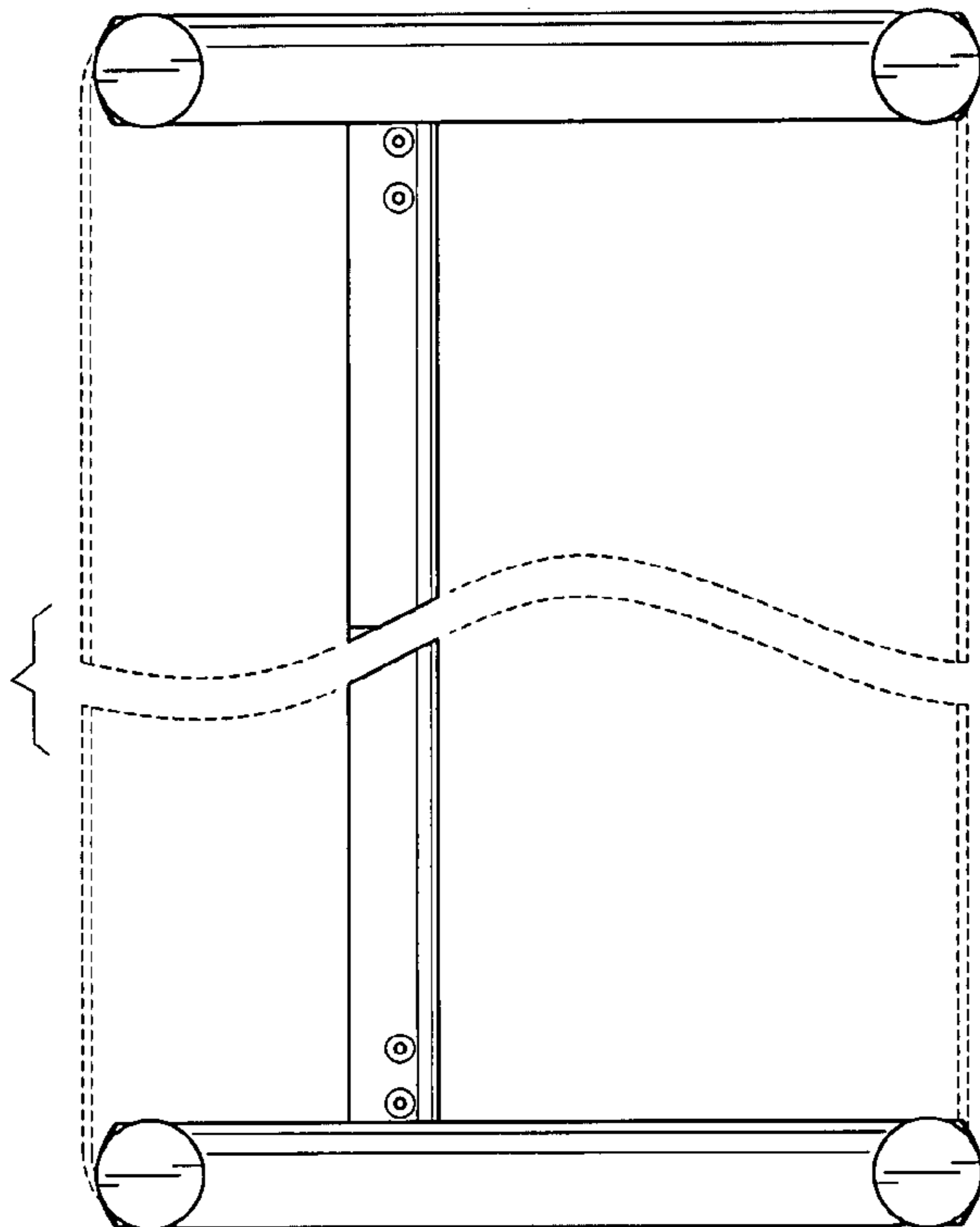


FIG. 4