

US00D559590S

(12) **United States Design Patent**  
**Sheppard**

(10) **Patent No.:** **US D559,590 S**  
(45) **Date of Patent:** **\*\* Jan. 15, 2008**

(54) **CIRCULAR ISLAND**

(75) Inventor: **Peter Ralph Sheppard**, London (GB)

(73) Assignee: **Smallbone USA, Inc.**, New York, NY (US)

(\*\*) Term: **14 Years**

(21) Appl. No.: **29/247,981**

(22) Filed: **Jul. 24, 2006**

(30) **Foreign Application Priority Data**

Jan. 31, 2006 (GB) ..... 3023817

(51) **LOC (8) Cl.** ..... **06-03**

(52) **U.S. Cl.** ..... **D6/481; D6/436**

(58) **Field of Classification Search** ..... D6/422-428,  
D6/480, 484, 485, 487, 436, 481; 312/223.1,  
312/223.2, 194-196, 140.1, 140.2

See application file for complete search history.

(56) **References Cited**

**U.S. PATENT DOCUMENTS**

2,044,518 A \* 6/1936 Thorstensen ..... 312/135

(Continued)

*Primary Examiner*—Janice E. Seeger

*Assistant Examiner*—Zenia I. Bennett

(74) *Attorney, Agent, or Firm*—Alston & Bird LLP

(57) **CLAIM**

The ornamental design for a circular island, as shown and described.

**DESCRIPTION**

FIG. 1 is a front perspective view of a circular island according to an embodiment of the present invention;

FIG. 2 is a front plan view of the circular island shown in FIG. 1, the rear plan view of the circular island shown in FIG. 1 is identical to the front plan view;

FIG. 3 is a left side plan view of the circular island shown in FIG. 1, the right side plan view of the circular island shown in FIG. 1 is identical to the left side plan view;

FIG. 4 is a top plan view of the circular island shown in FIG. 1;

FIG. 5 is a bottom plan view of the circular island shown in FIG. 1;

FIG. 6 is a front perspective view of a circular island according to a second embodiment;

FIG. 7 is a front plan view of the circular island shown in FIG. 6;

FIG. 8 is a rear plan view of the circular island shown in FIG. 6;

FIG. 9 is a right side plan view of the circular island shown in FIG. 6; the left side plan view of the circular island shown in FIG. 6 is a mirror image of the right side plan view;

FIG. 10 is a top plan view of the circular island shown in FIG. 6;

FIG. 11 is a bottom plan view of the circular island shown in FIG. 6;

FIG. 12 is a front perspective view of a circular island according to a third embodiment;

FIG. 13 is a front plan view of the circular island shown in FIG. 12, the rear plan view of the circular island shown in FIG. 12 is identical to the front plan view;

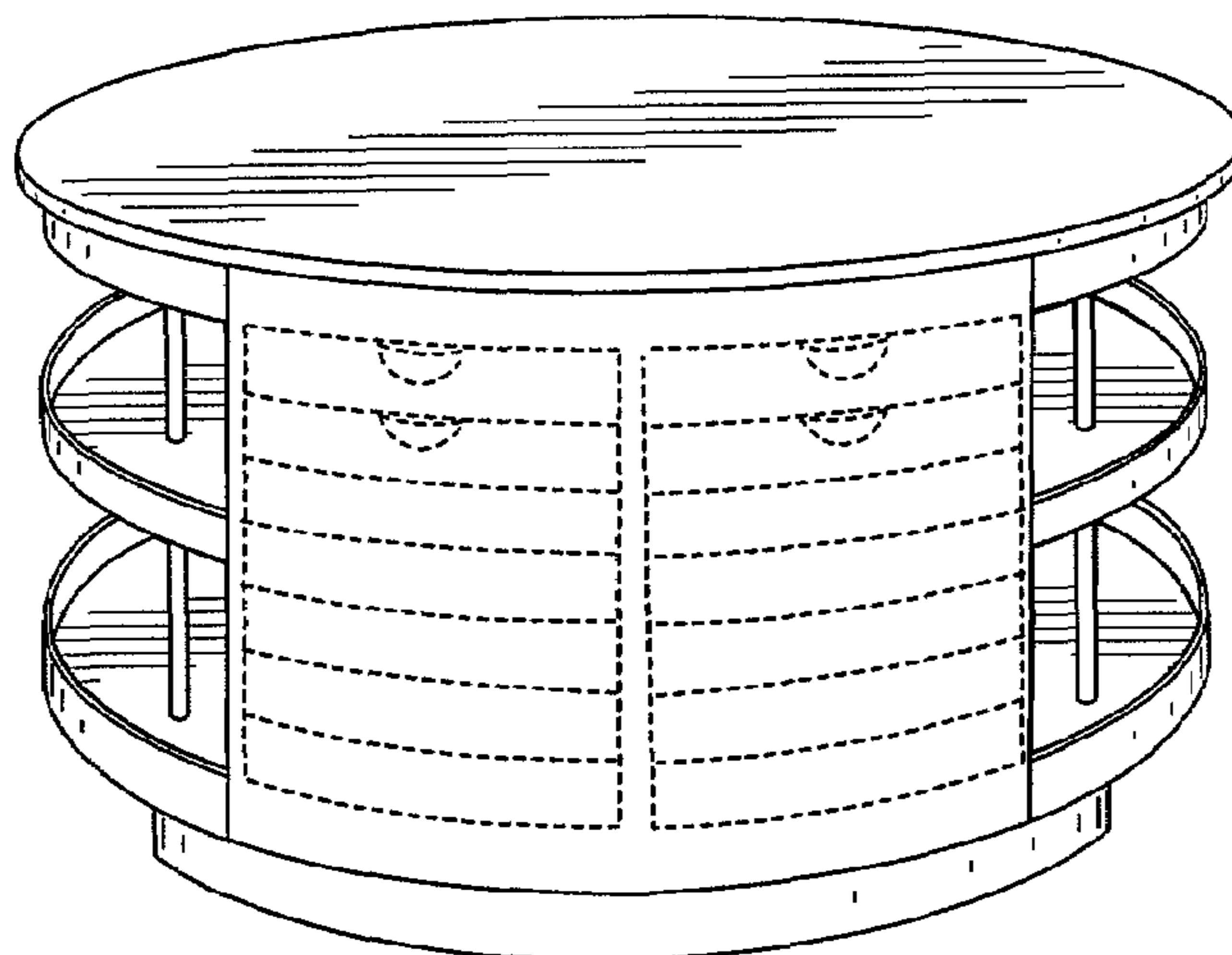
FIG. 14 is a left side plan view of the circular island shown in FIG. 12, the right side plan view of the circular island shown in FIG. 12 is identical to the left side plan view;

FIG. 15 a top plan view of the circular island shown in FIG. 12; and,

FIG. 16 is a bottom plan view of the circular island shown in FIG. 12.

The broken lines shown herein form no part of the claimed design.

**1 Claim, 7 Drawing Sheets**



# US D559,590 S

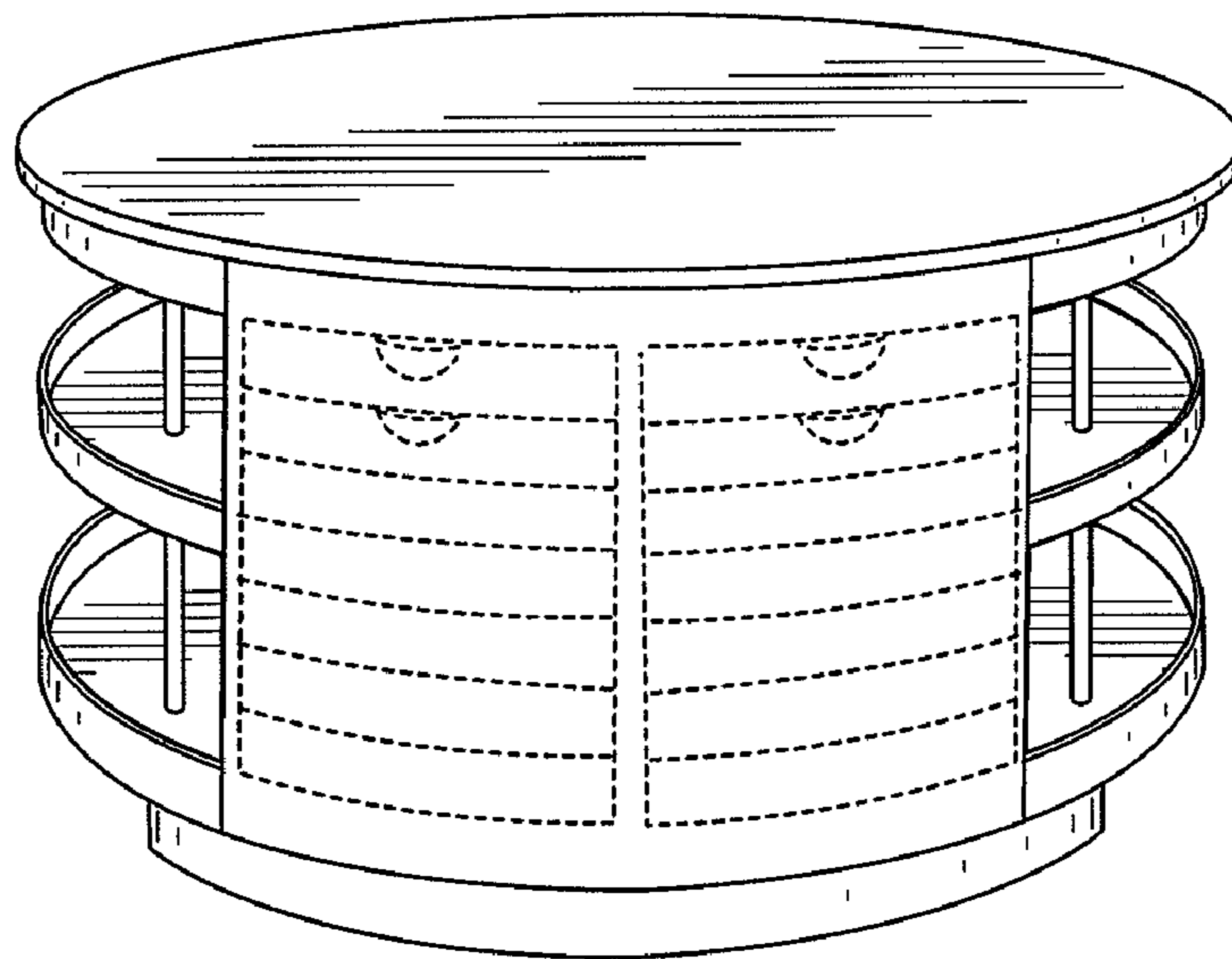
Page 2

---

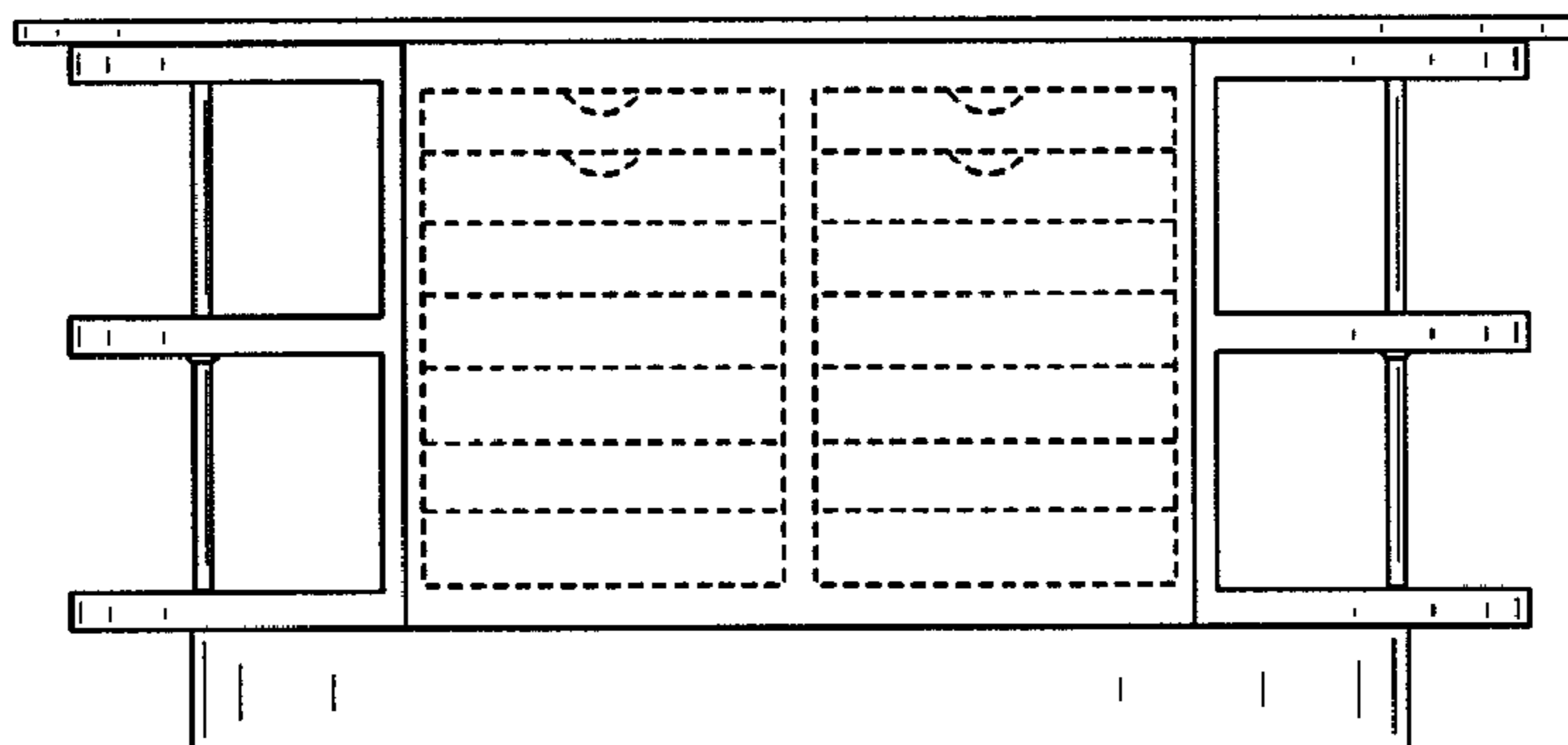
## U.S. PATENT DOCUMENTS

D139,893 S *	1/1945	Roberts .....	D6/481	D328,206 S *	7/1992	Lewis .....	D6/481
D144,120 S *	3/1946	Livon .....	D6/481	D351,299 S *	10/1994	Barrish .....	D6/481
D187,652 S *	4/1960	McCartan .....	D6/423	D369,924 S *	5/1996	Werner et al. ....	D6/472
D225,927 S *	1/1973	Duern .....	D6/477	D423,250 S *	4/2000	Wolff .....	D6/441
D311,831 S *	11/1990	Nylen .....	D6/441				

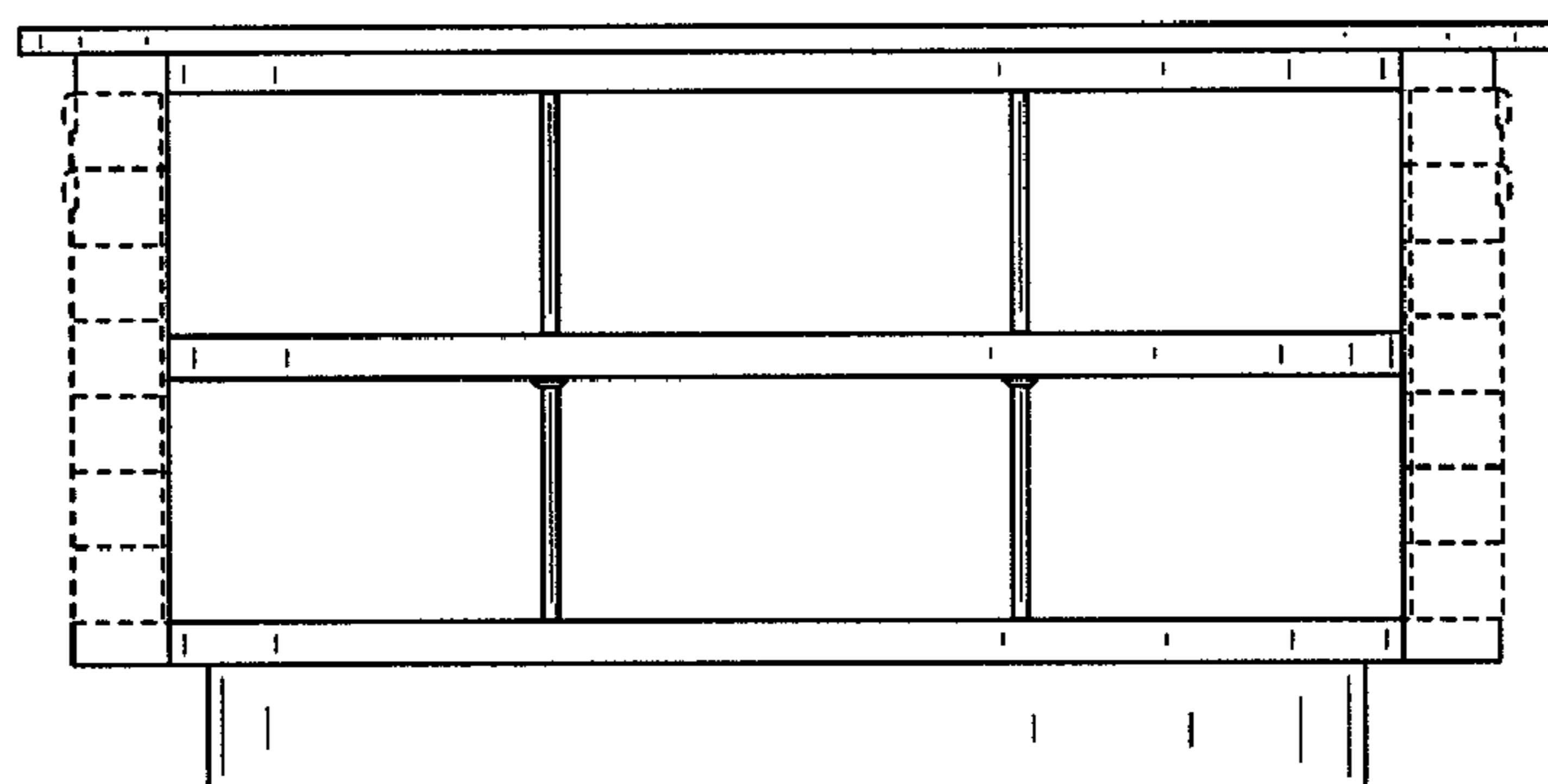
\* cited by examiner



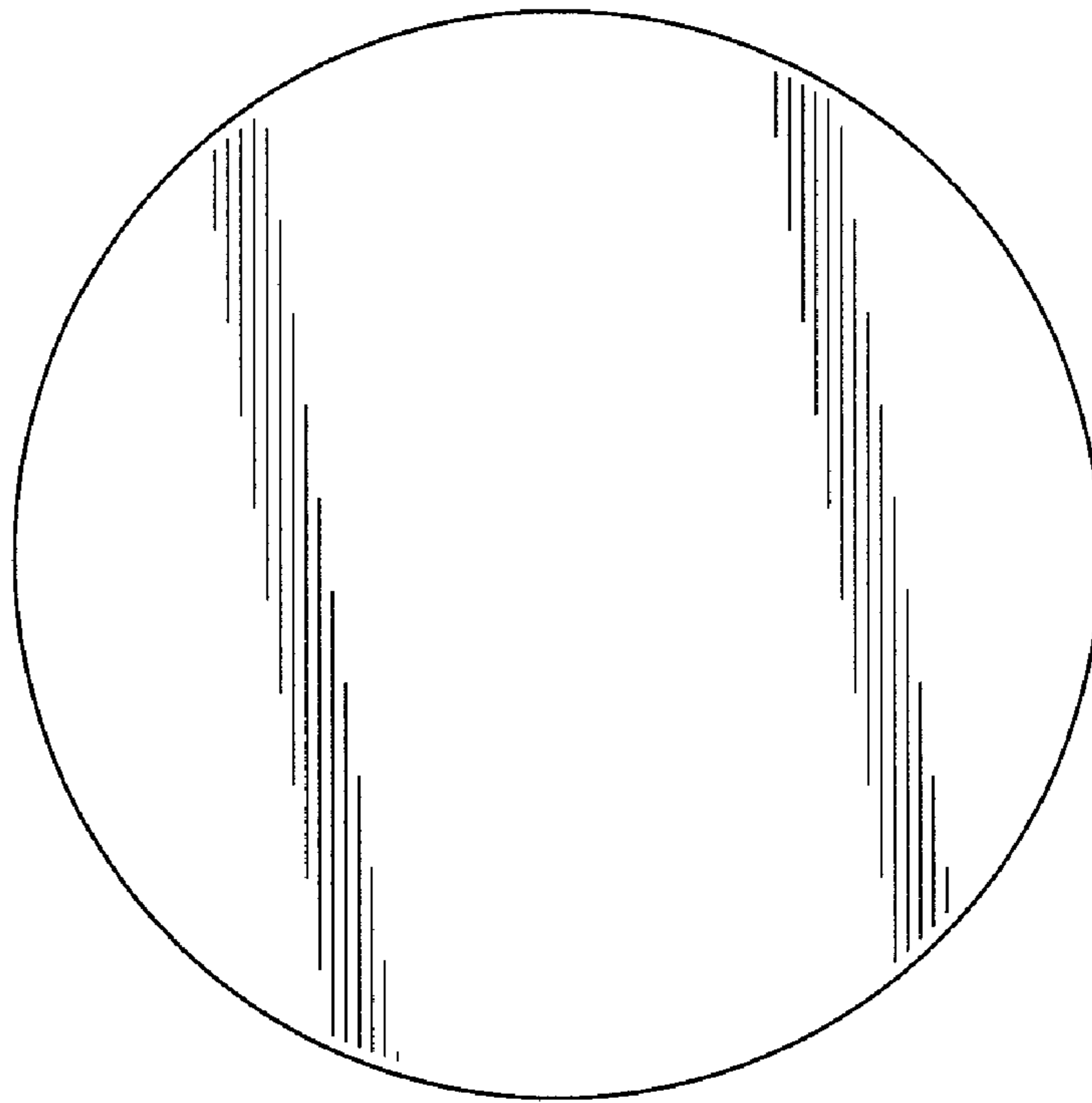
**FIG. 1**



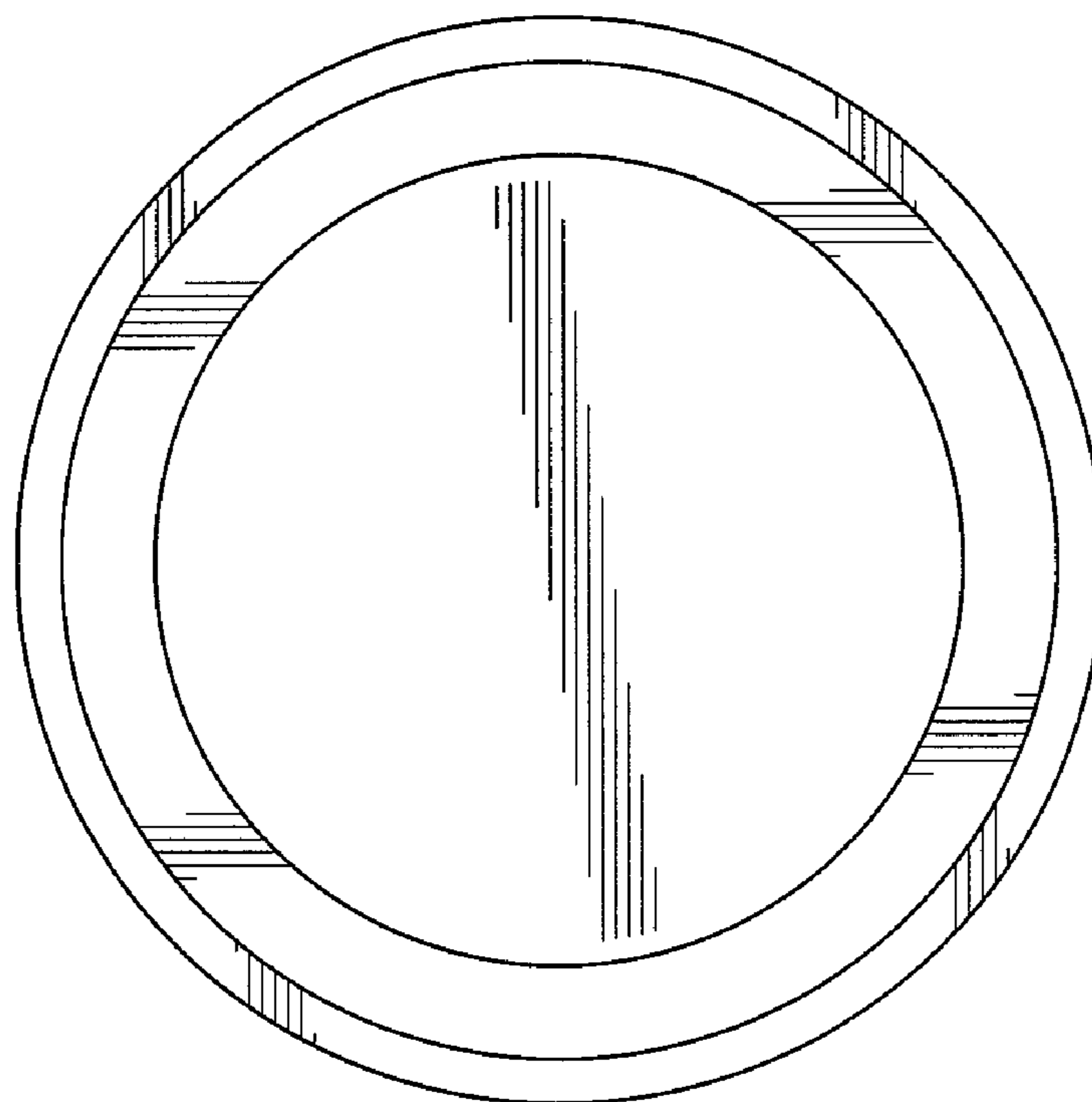
**FIG. 2**



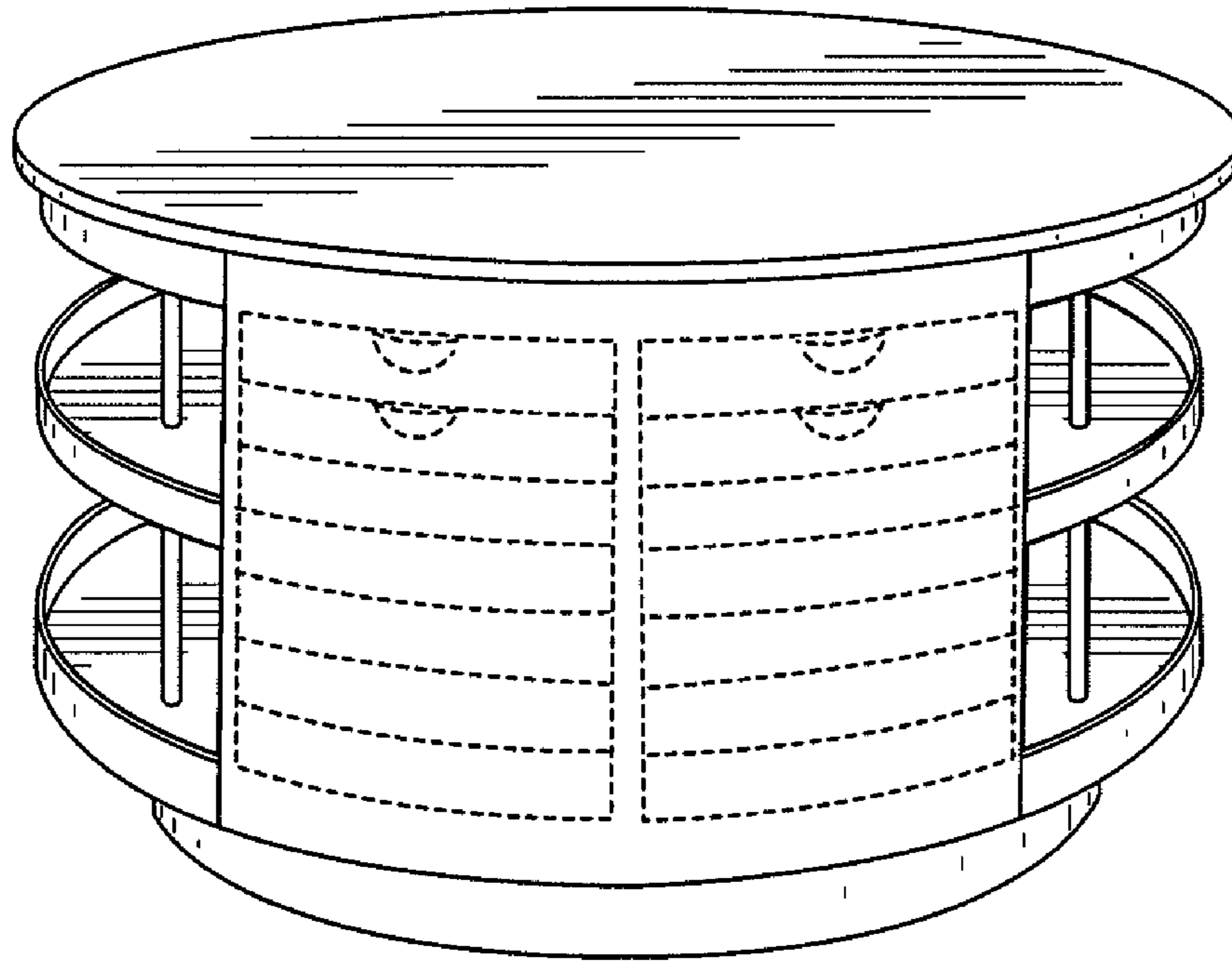
**FIG. 3**



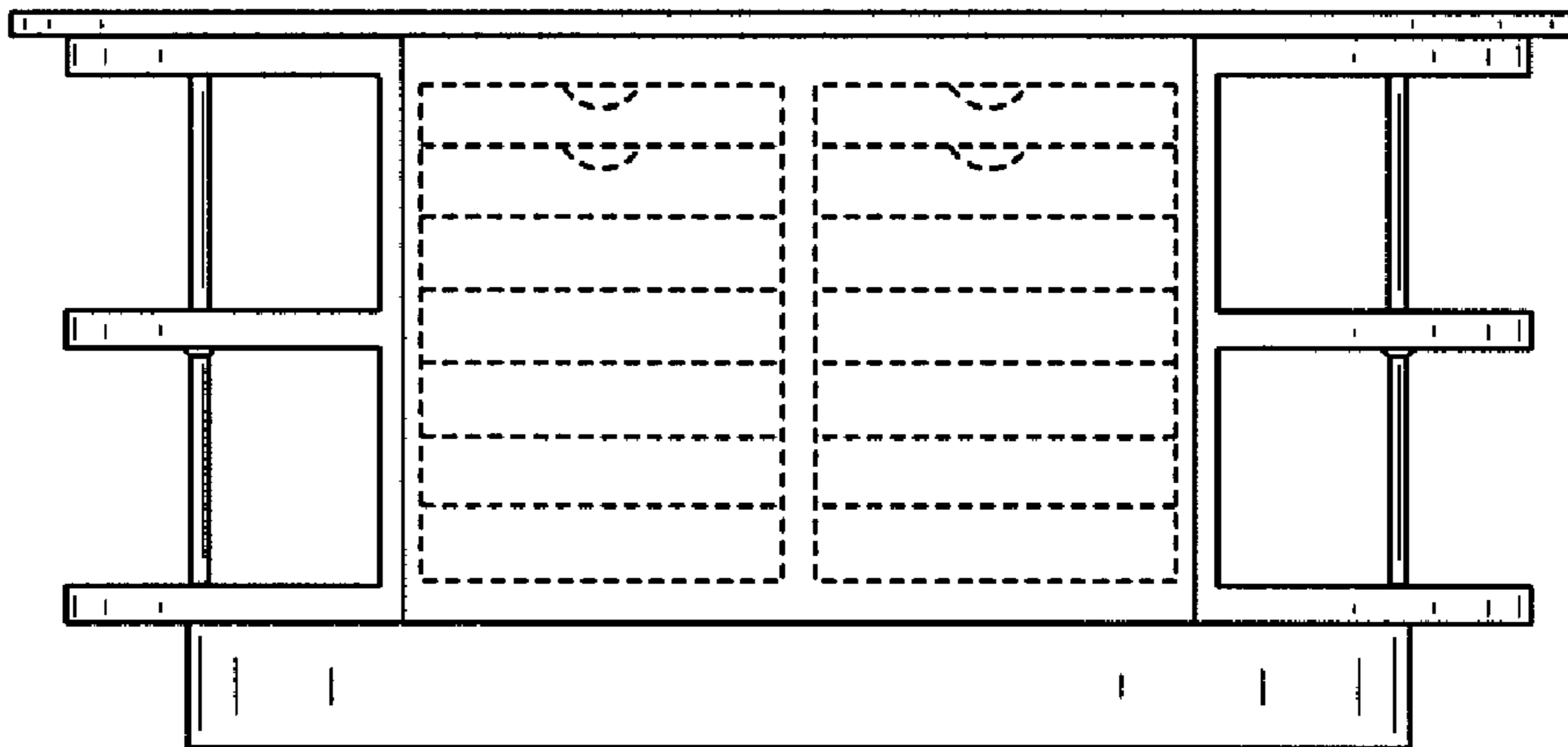
**FIG. 4**



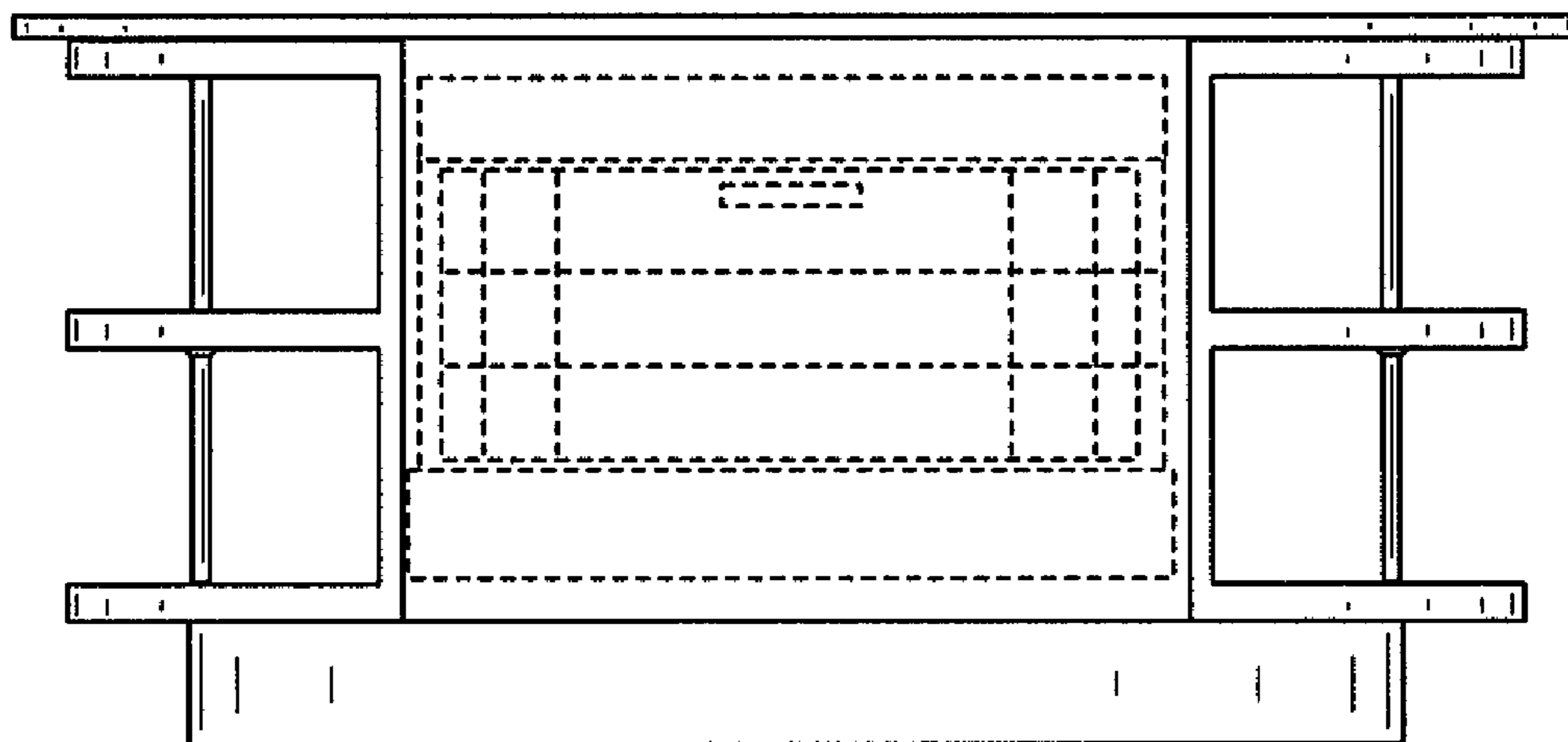
**FIG. 5**



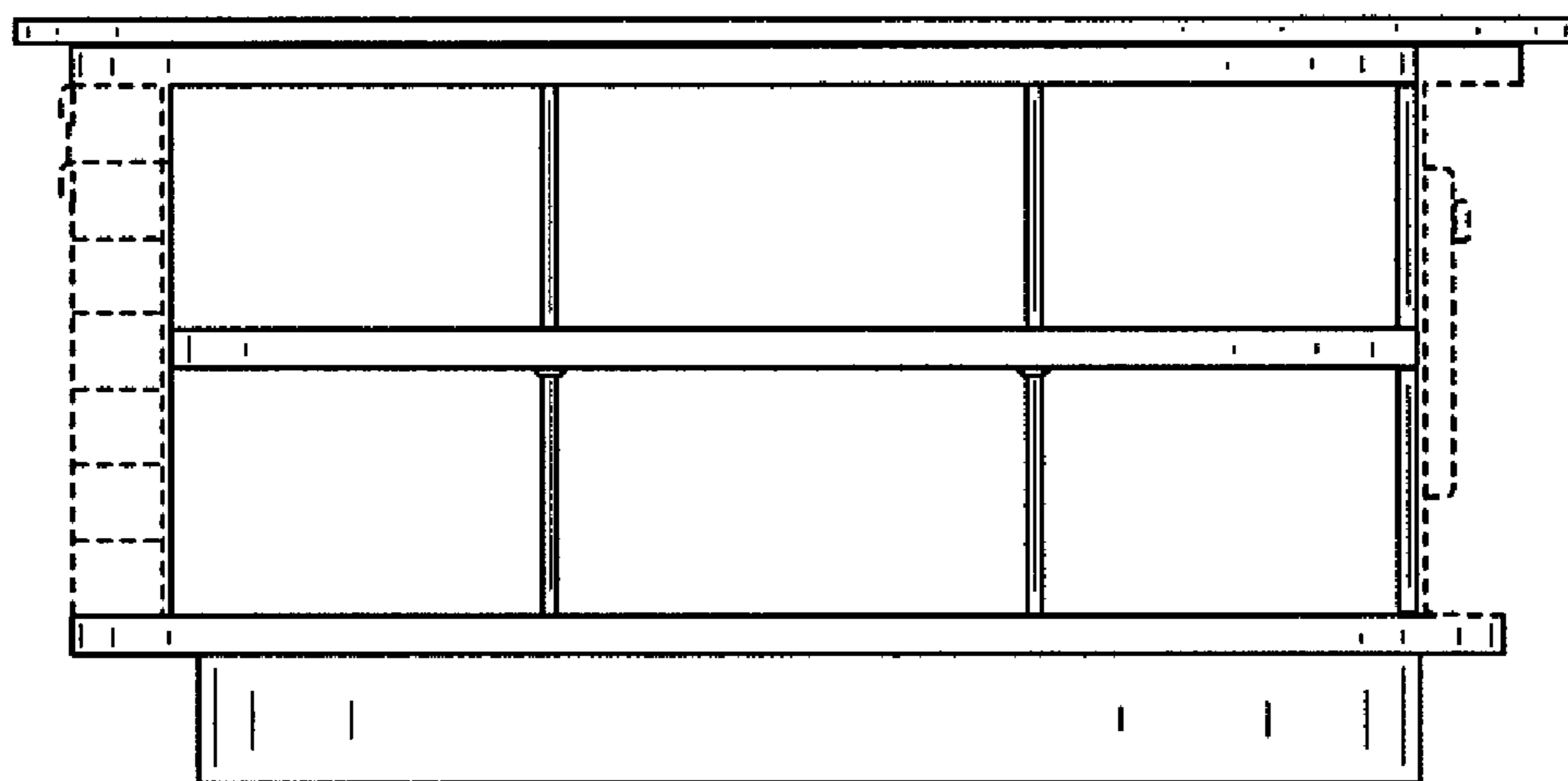
**FIG. 6**



**FIG. 7**

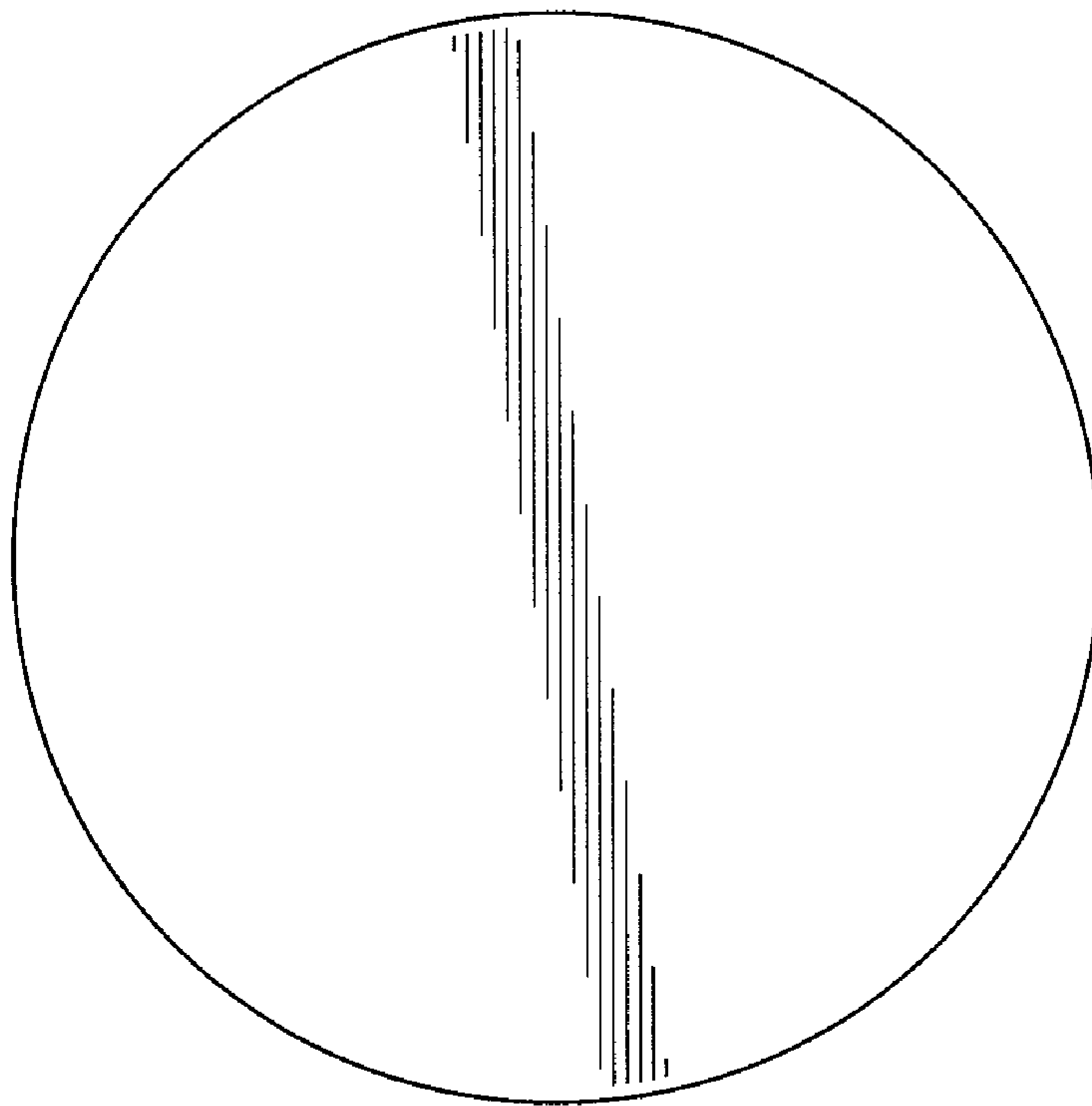


**FIG. 8**

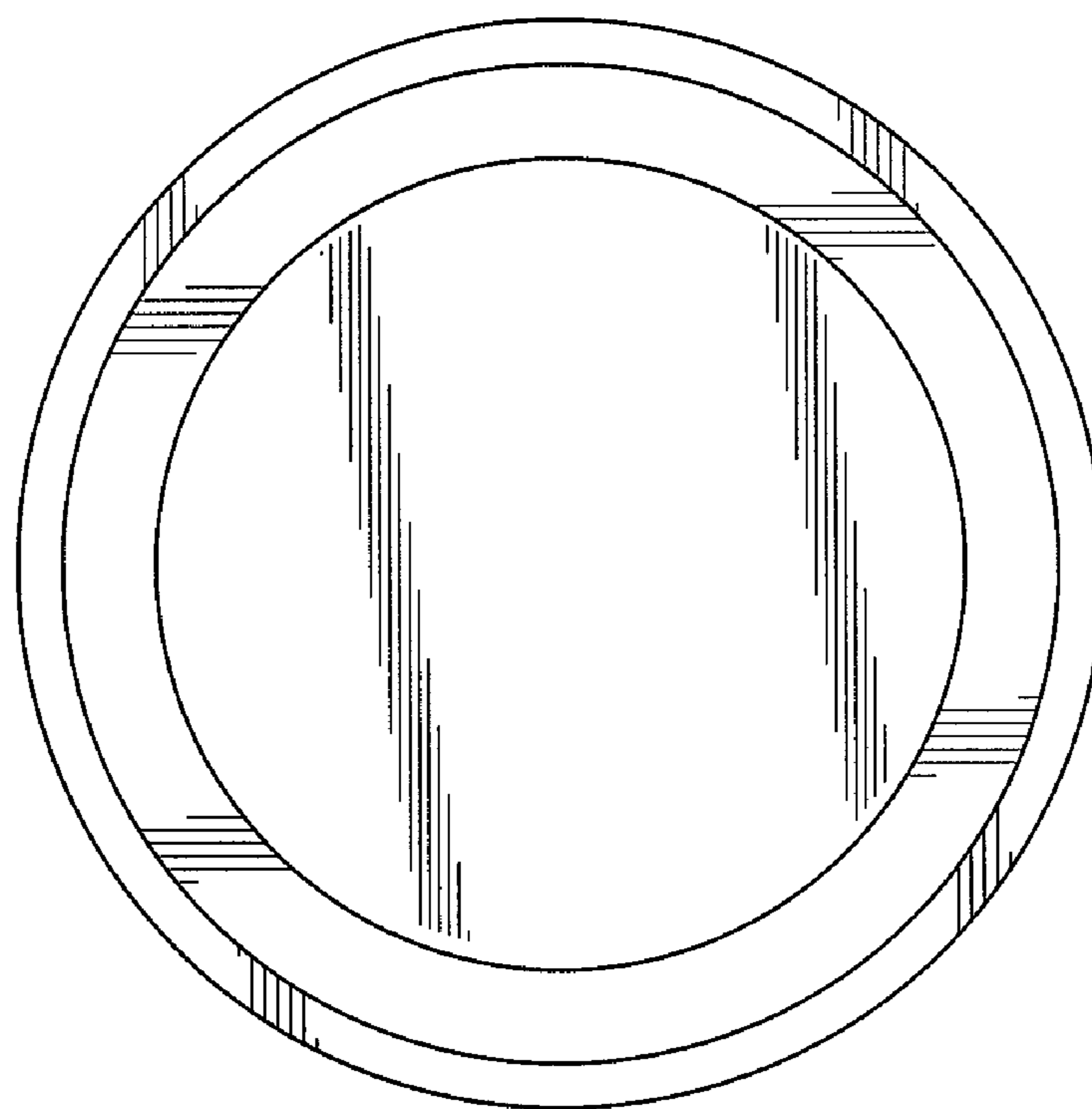


**FIG. 9**

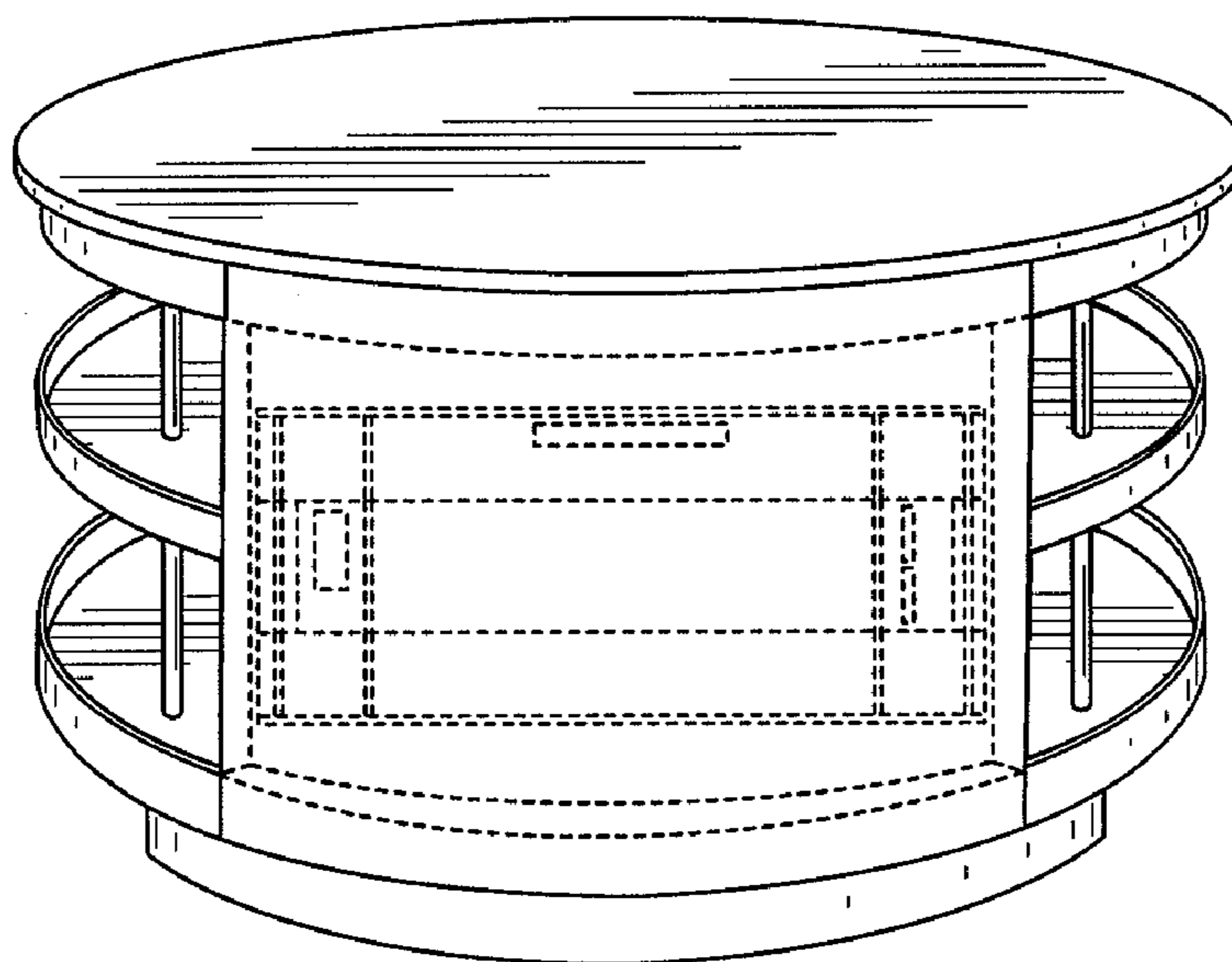




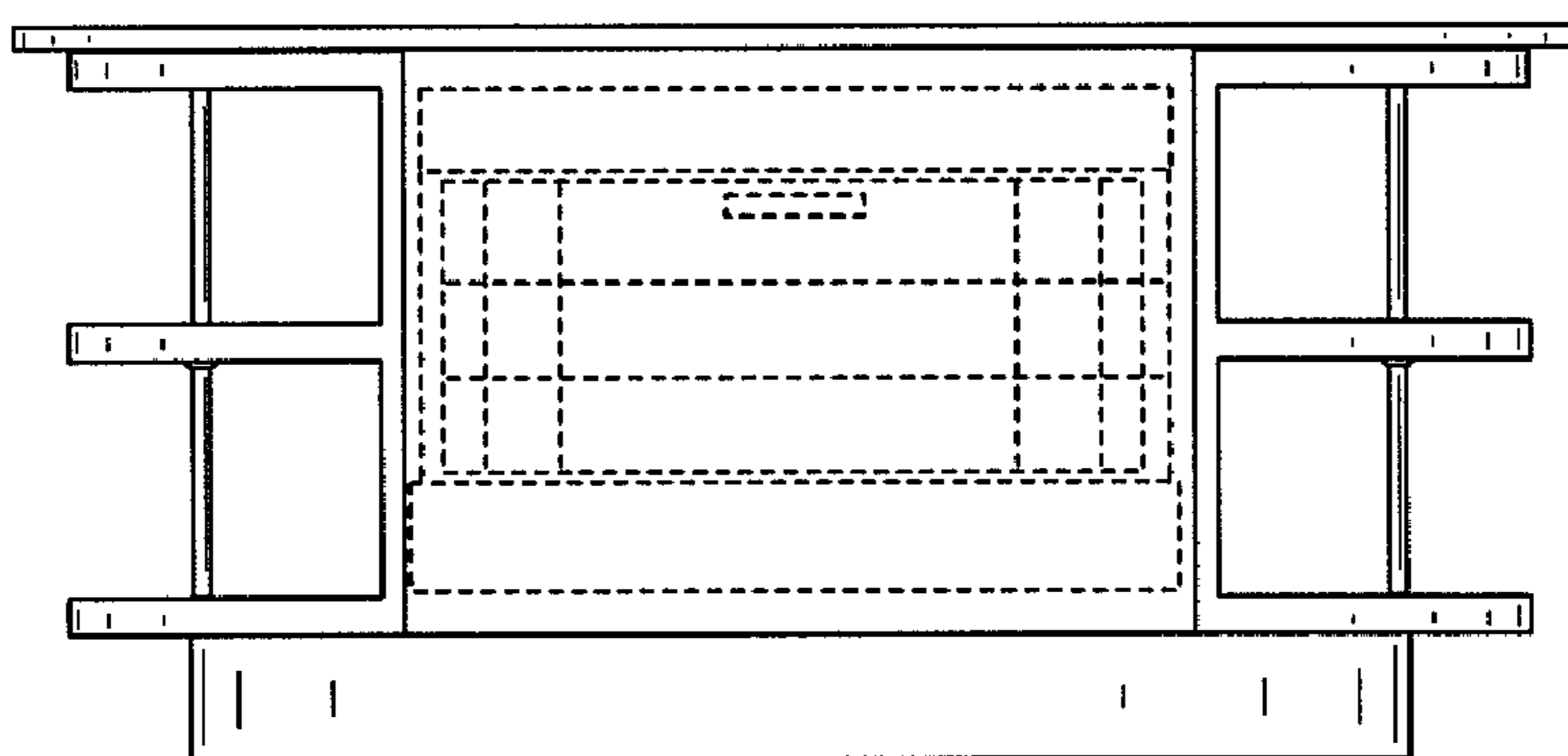
**FIG. 10**



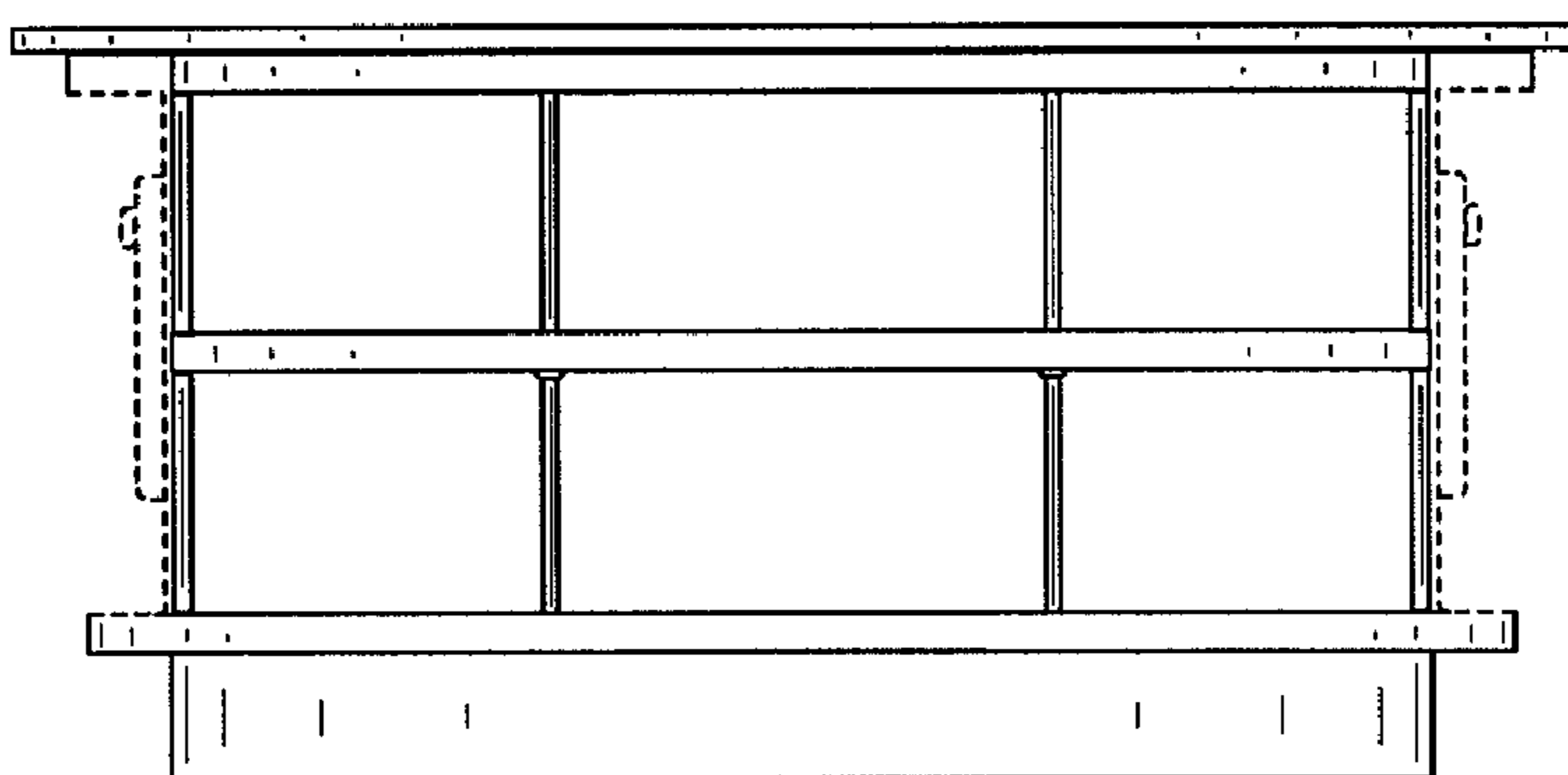
**FIG. 11**



**FIG. 12**

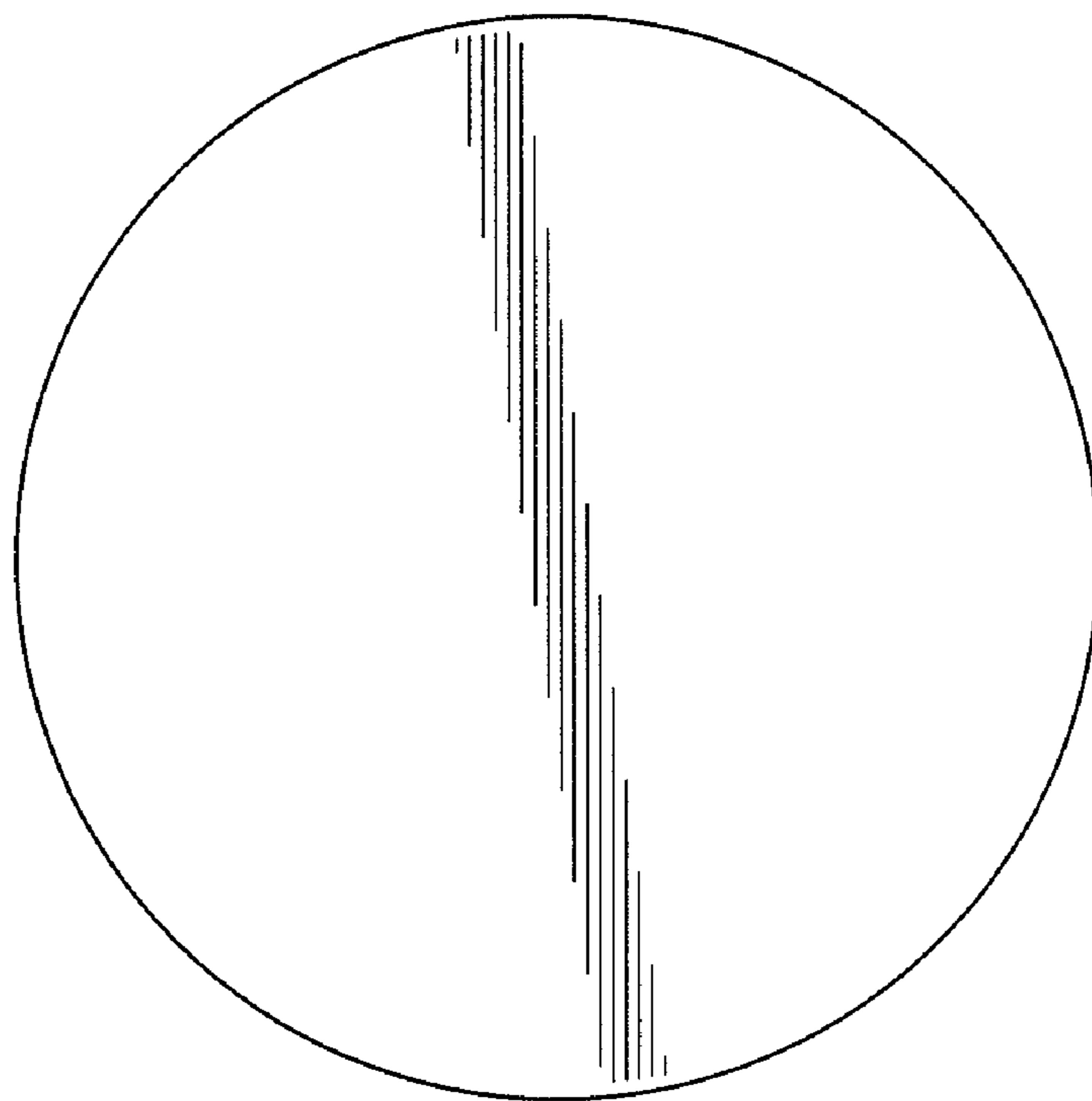


**FIG. 13**

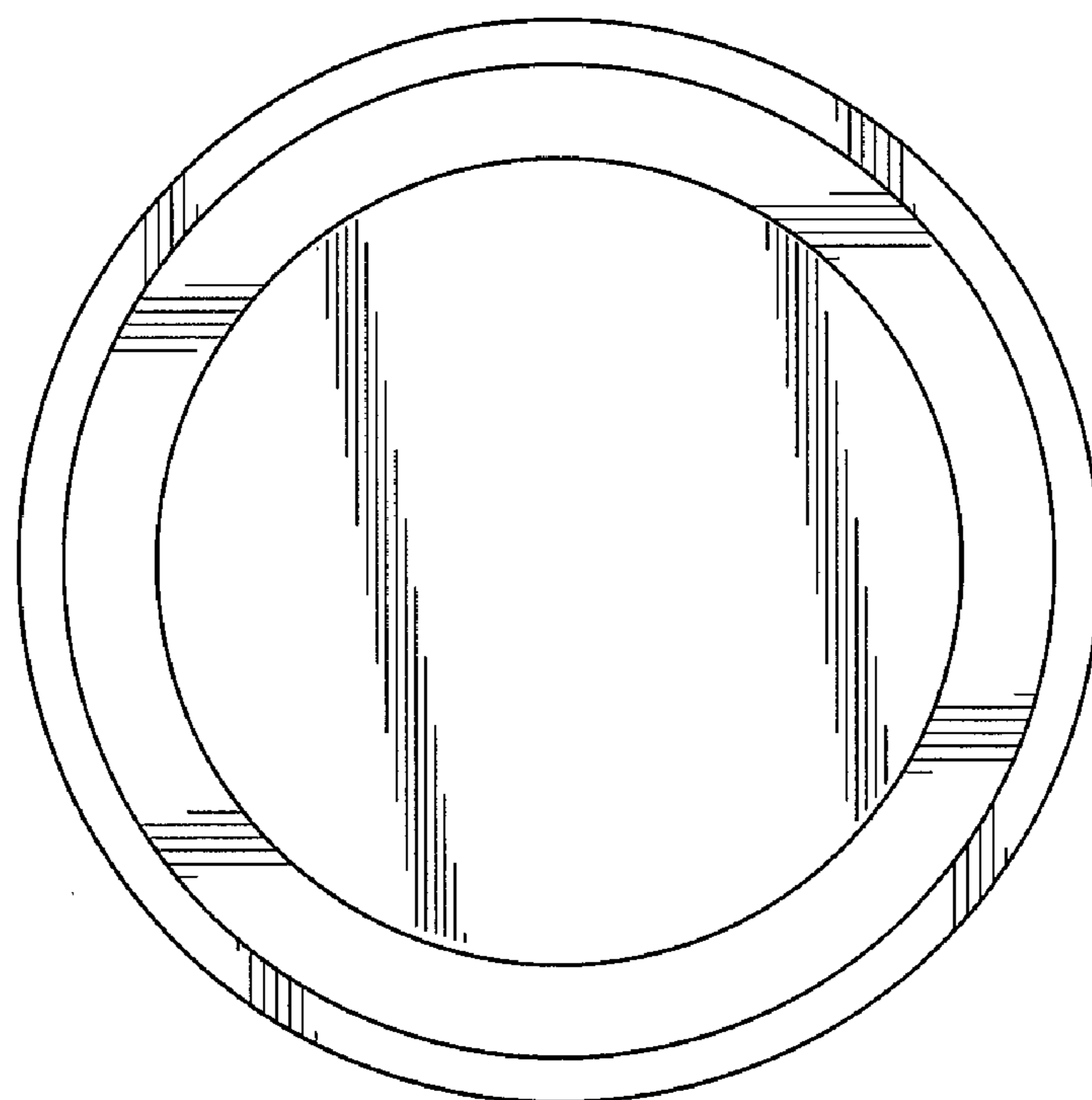


**FIG. 14**





**FIG. 15**



**FIG. 16**