



US00D559588S

(12) **United States Design Patent**  
**Mehmen**

(10) **Patent No.:** **US D559,588 S**

(45) **Date of Patent:** **\*\* Jan. 15, 2008**

(54) **CABINET**

(75) Inventor: **Robert Mehmen**, Shell Rock, IA (US)

(73) Assignee: **Waterloo Industries, Inc.**, Waterloo, IA (US)

(\*\*) Term: **14 Years**

(21) Appl. No.: **29/285,624**

(22) Filed: **Apr. 4, 2007**

(51) **LOC (8) Cl.** ..... **06-04**

(52) **U.S. Cl.** ..... **D6/446; D6/441**

(58) **Field of Classification Search** ..... D6/432-448;  
312/138.1, 204, 249.1, 249.8, 237, 257.1,  
312/263, 297; D25/16; 211/85.8  
See application file for complete search history.

(56) **References Cited**

**U.S. PATENT DOCUMENTS**

D305,708 S *	1/1990	Newhouse	.....	D6/446
D365,154 S *	12/1995	Maple	.....	D25/16
D365,225 S *	12/1995	Poortvliet et al.	.....	D6/446
D375,168 S *	10/1996	Hunt et al.	.....	D25/16
D384,419 S *	9/1997	Dickinson et al.	.....	D25/16
5,975,660 A *	11/1999	Tisbo et al.	.....	312/263
D422,807 S *	4/2000	Tisbo et al.	.....	D6/440
D446,408 S *	8/2001	Mathieu et al.	.....	D6/446
6,561,601 B1 *	5/2003	Maffeo	.....	312/257.1

D496,540 S *	9/2004	Moon et al.	.....	D6/446
D526,816 S *	8/2006	Nowotarski et al.	.....	D6/446
D527,927 S *	9/2006	Nowotarski et al.	.....	D6/446

\* cited by examiner

*Primary Examiner*—Mimosa De

(74) *Attorney, Agent, or Firm*—Calfee, Halter & Griswold LLP

(57) **CLAIM**

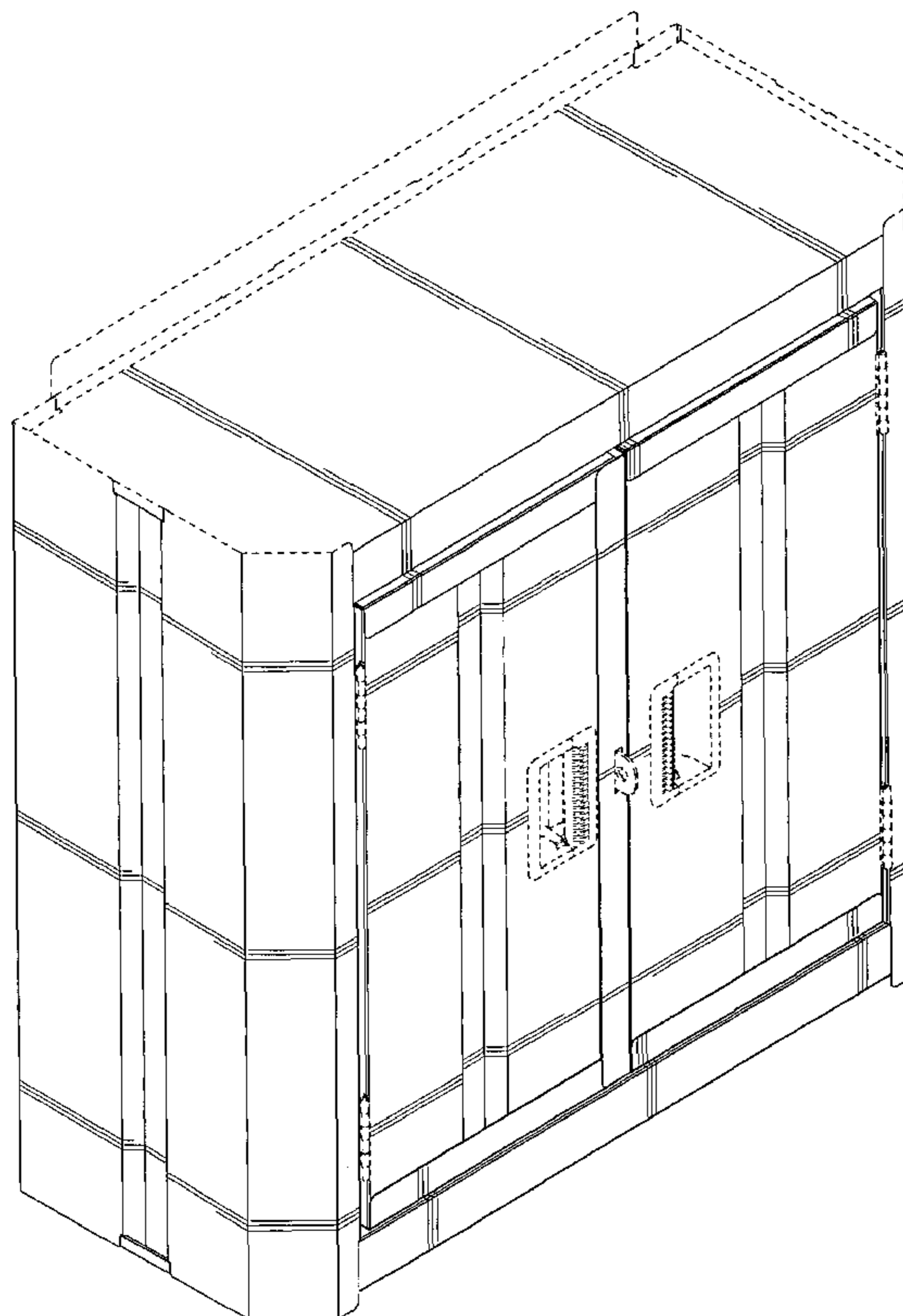
The ornamental design for a cabinet, as shown and described.

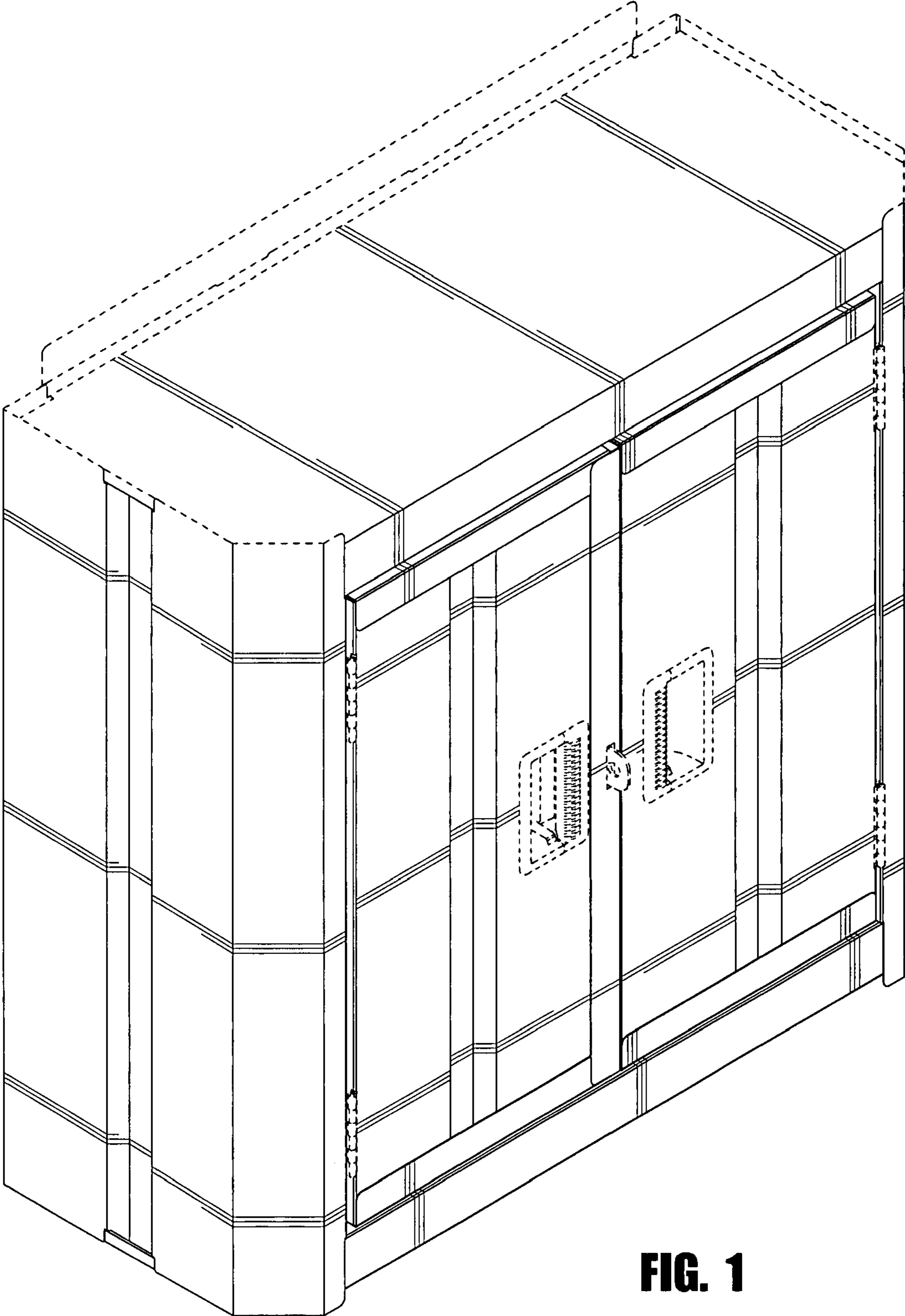
**DESCRIPTION**

FIG. 1 is a perspective view of a cabinet of the new design; FIG. 2 is a top plan view of the cabinet of FIG. 1; FIG. 3 is a front elevational view of the cabinet of FIG. 1; FIG. 4 is a rear elevational view of the cabinet of FIG. 1; FIG. 5 is a bottom plan view of the cabinet of FIG. 1; FIG. 6 is a right side elevational view of the cabinet of FIG. 1; and, FIG. 7 is a left side elevational view of the cabinet of FIG. 1.

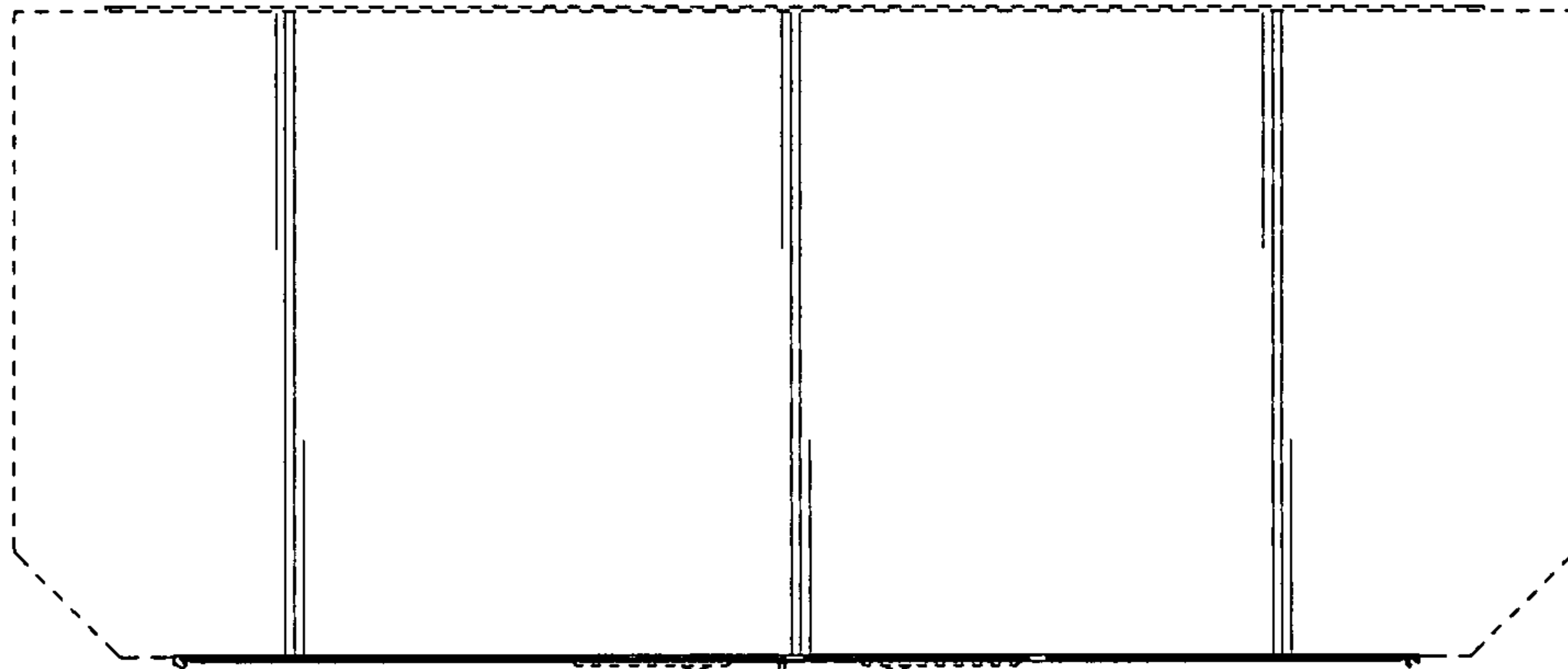
The portions of the Figures shown in broken lines are not part of the claimed design and are for illustration only.

**1 Claim, 4 Drawing Sheets**

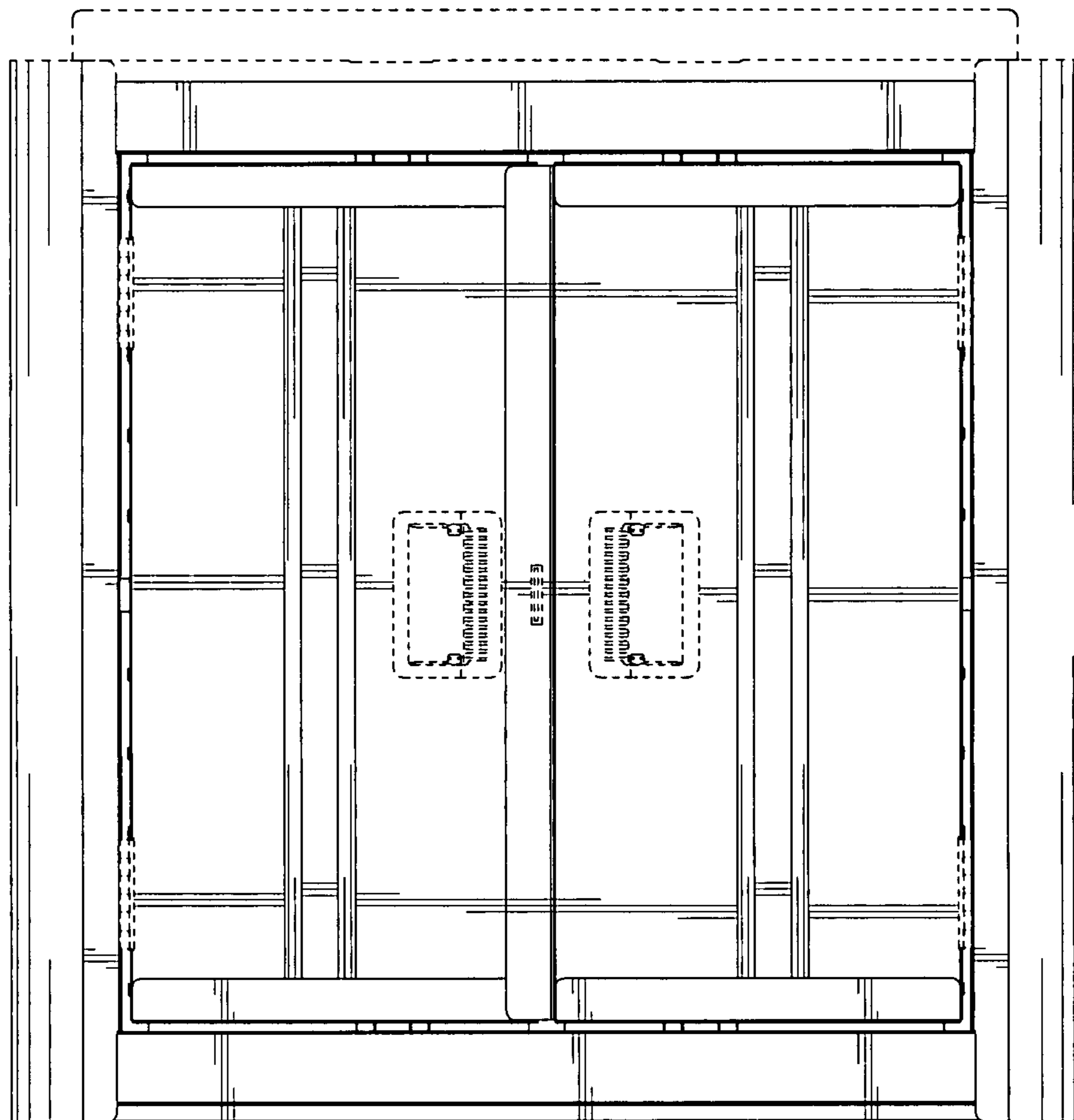




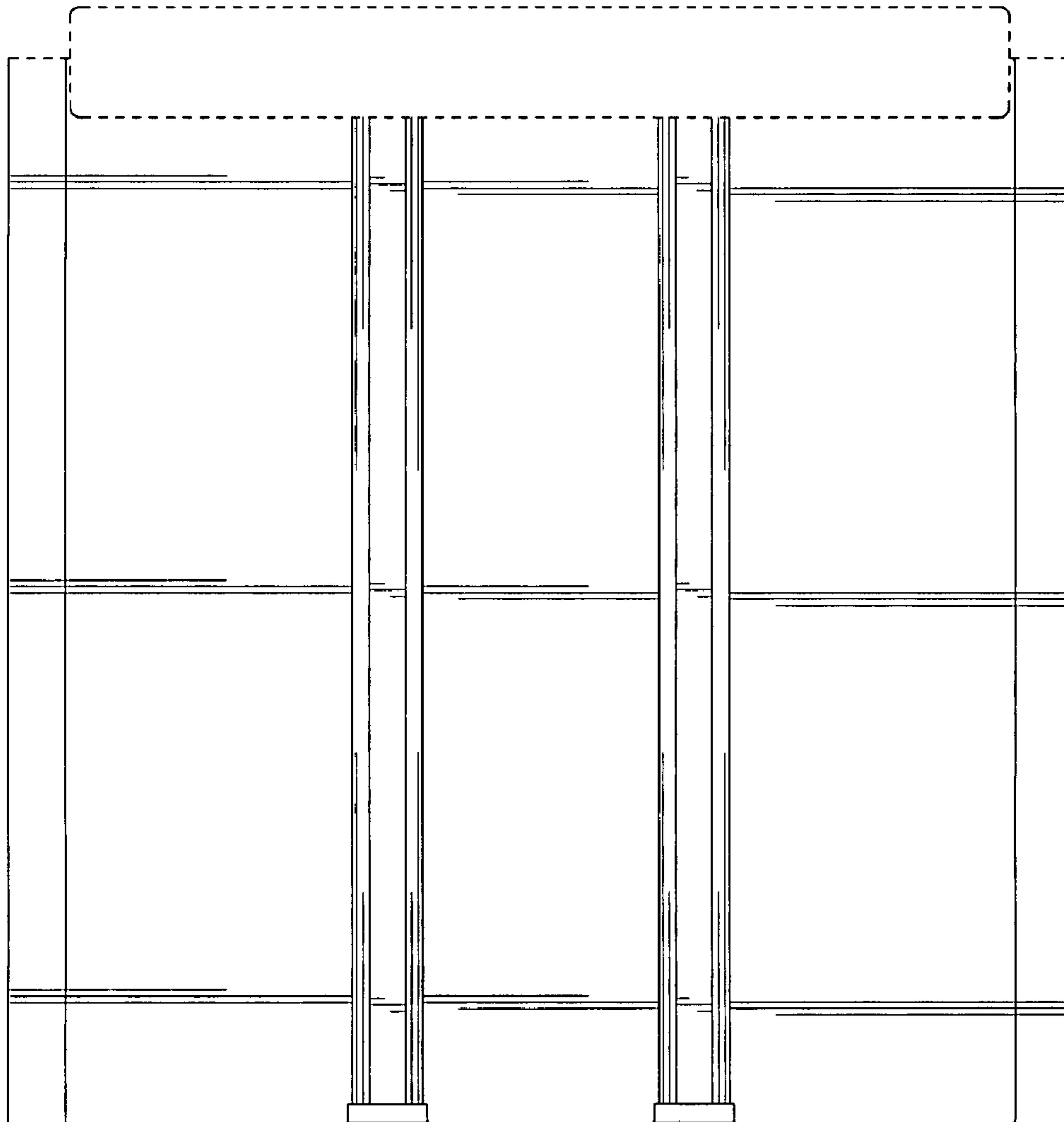
**FIG. 1**



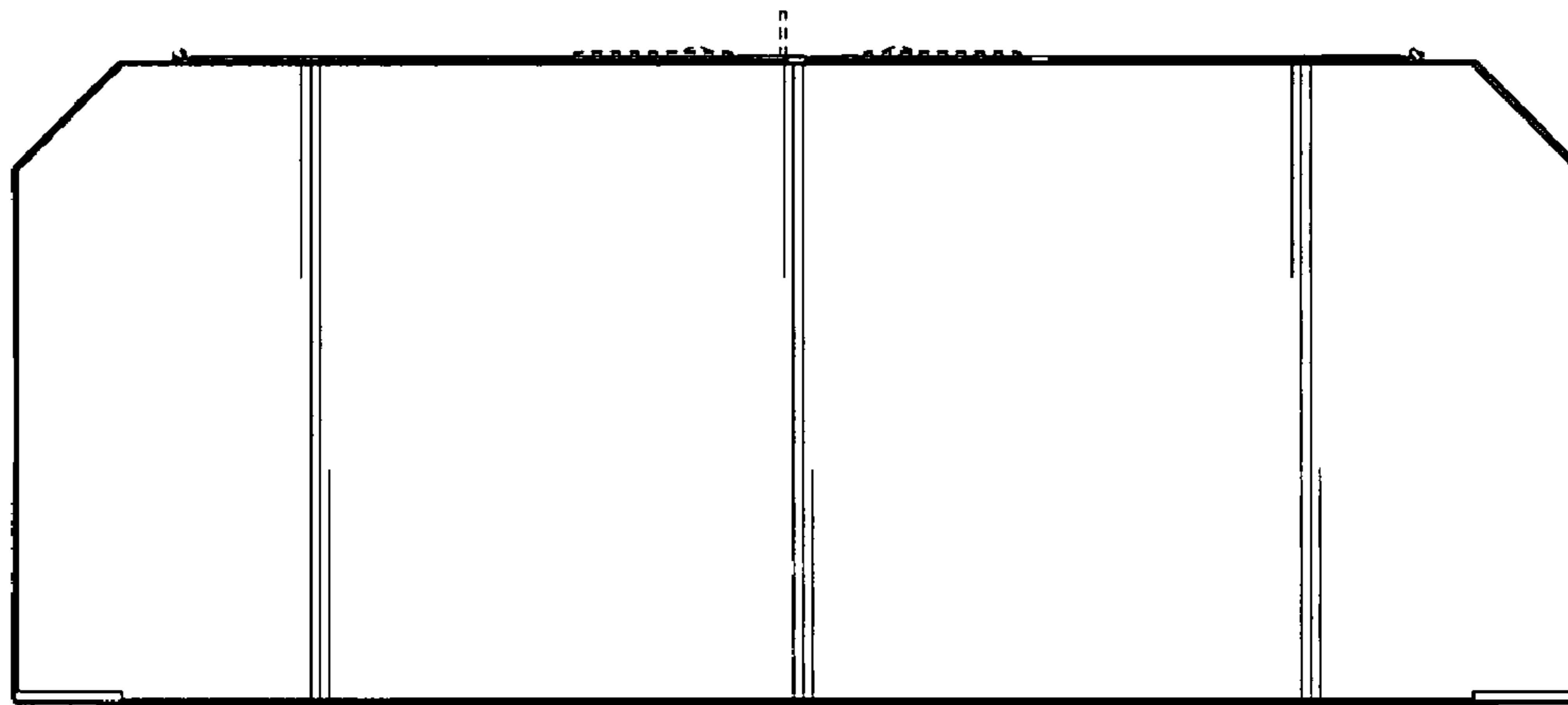
**FIG. 2**



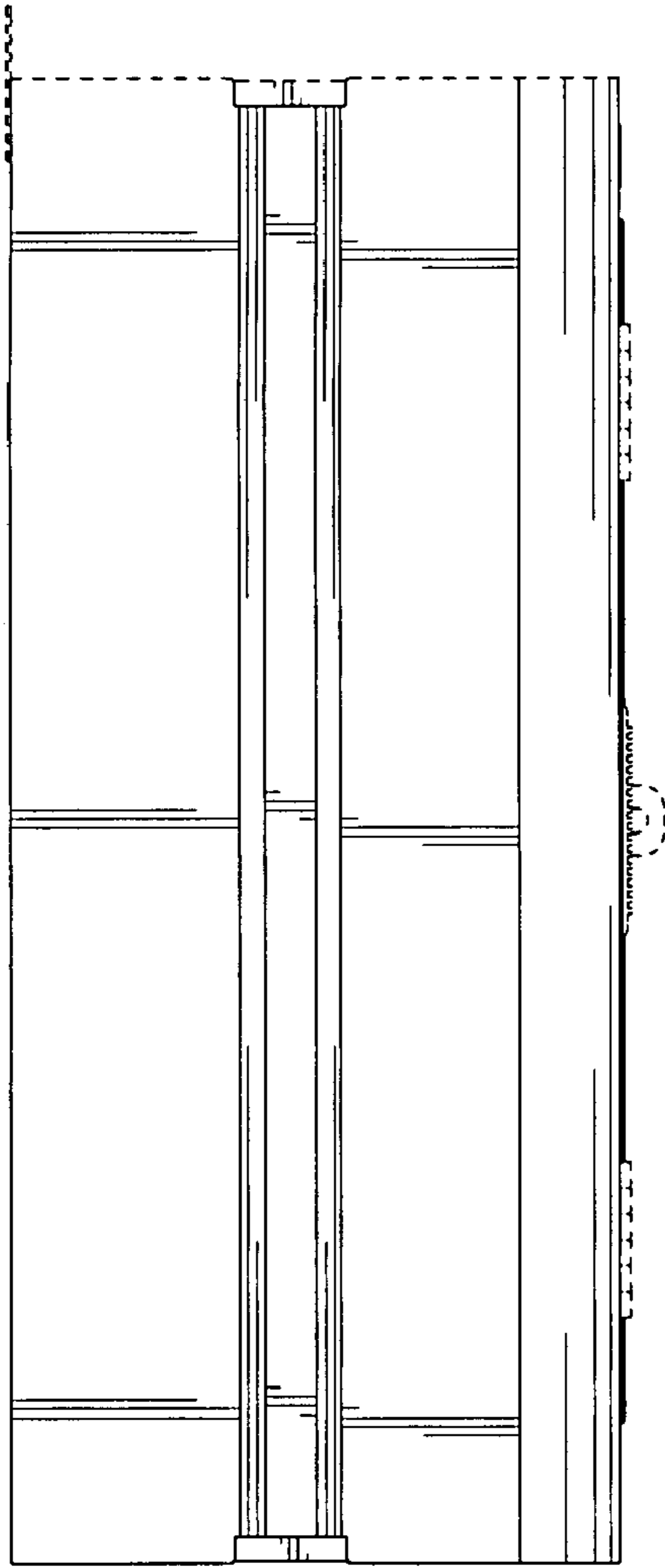
**FIG. 3**



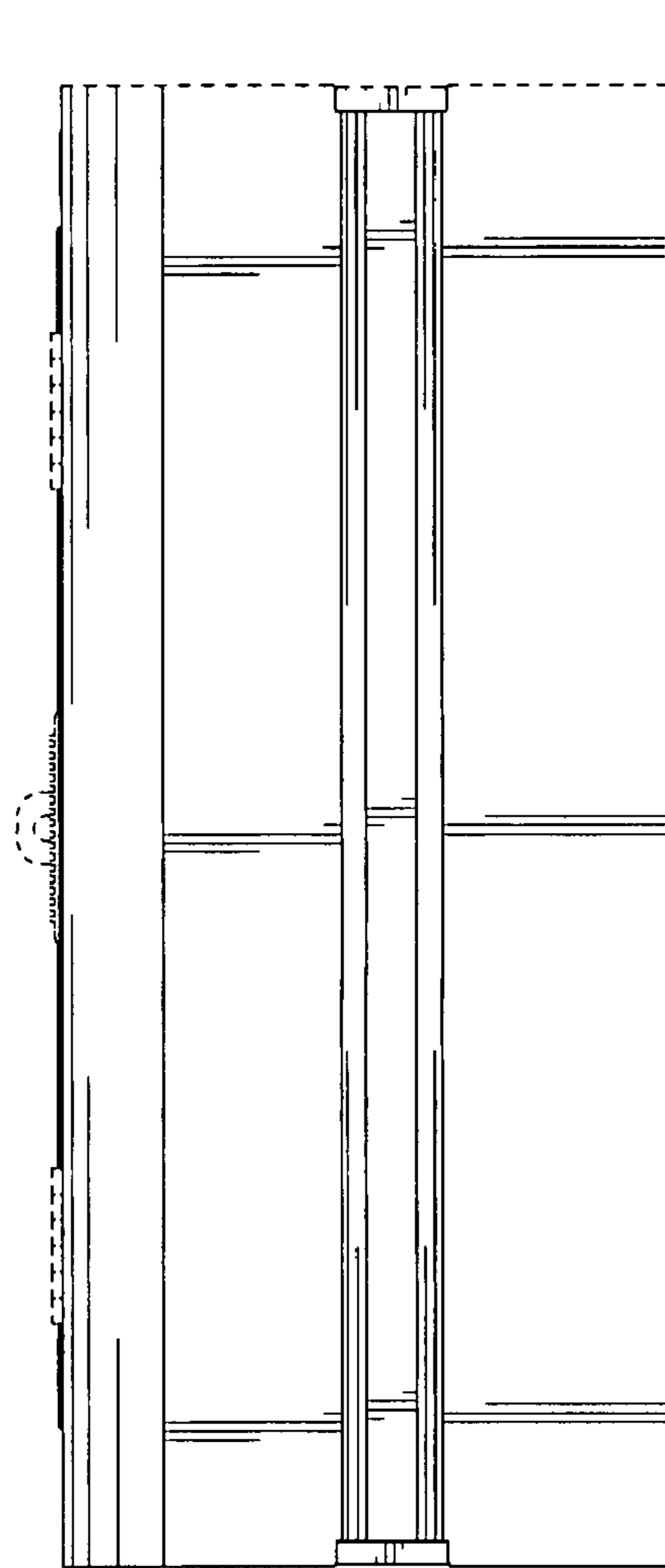
**FIG. 4**



**FIG. 5**



**FIG. 6**



**FIG. 7**