



US00D559579S

(12) **United States Design Patent**
Bosman

(10) **Patent No.:** **US D559,579 S**
(45) **Date of Patent:** **** Jan. 15, 2008**

(54) **DESK**
(75) Inventor: **Scott A Bosman**, Green Bay, WI (US)
(73) Assignee: **Krueger International, Inc.**, Green Bay, WI (US)
(**) Term: **14 Years**
(21) Appl. No.: **29/247,287**
(22) Filed: **Jun. 9, 2006**

D432,334 S 10/2000 Risdall
D435,366 S 12/2000 McClintock et al.
D436,470 S 1/2001 Paul
D438,407 S 3/2001 Maly
D442,395 S 5/2001 McClintock et al.
D450,949 S 11/2001 Grabowski et al.
D470,349 S 2/2003 Risdall
D473,068 S 4/2003 Holbrook et al.
D473,399 S 4/2003 Holbrook et al.
D474,044 S 5/2003 Holbrook et al.

(Continued)

(51) **LOC (8) Cl.** **06-06**
(52) **U.S. Cl.** **D6/422; D6/480; D6/487**
(58) **Field of Classification Search** D6/422-428,
D6/480, 484, 485, 487; 312/194-196, 223.1,
312/223.2
See application file for complete search history.

Primary Examiner—Janice E. Seeger
Assistant Examiner—Zenia I. Bennett
(74) *Attorney, Agent, or Firm*—Boyle Fredrickson, S.C

(57) **CLAIM**

The ornamental design for a desk, as shown and described.

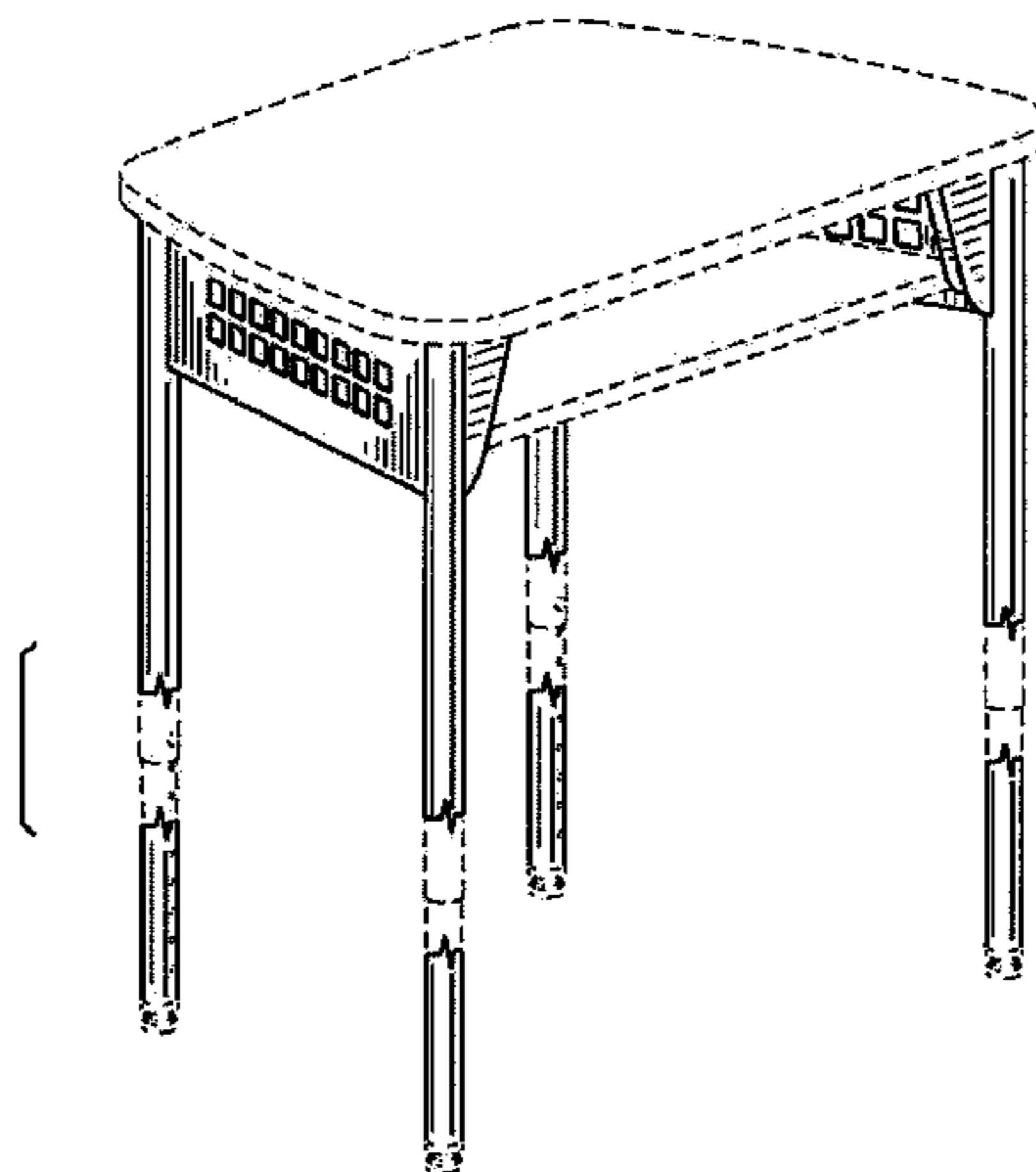
(56) **References Cited**
U.S. PATENT DOCUMENTS

DESCRIPTION

D187,595 S *	4/1960	Anderson	D6/483
D200,240 S *	2/1965	Gale	D6/428
D216,710 S	3/1970	Lambert		
D234,560 S *	3/1975	Hauner	D6/425
D352,853 S	11/1994	Hosoe		
D371,661 S	7/1996	Linder		
D373,270 S	9/1996	Alexander et al.		
D376,282 S	12/1996	Sandy		
D383,924 S	9/1997	Dormon et al.		
D390,382 S	2/1998	Schwartz		
D394,766 S *	6/1998	Brandt	D6/480
D404,874 S	1/1999	Sandy		
D404,875 S	1/1999	Sandy		
D407,578 S *	4/1999	Crinion	D6/436
D423,248 S	4/2000	Sandy		
D424,323 S	5/2000	Sandy		
D425,726 S	5/2000	Sandy		
D426,405 S	6/2000	Newhouse		
D426,973 S	6/2000	Risdall		
D427,444 S	7/2000	Risdall		
D427,804 S	7/2000	Olson		
D428,740 S	8/2000	Maly		
D431,939 S	10/2000	Risdall		

FIG. 1 is an isometric view of a desk incorporating my new design, wherein the phantom areas of the legs represent indeterminate length and wherein the remaining portions shown in phantom form no part of the claimed design;
FIG. 2 is a front elevation view thereof;
FIG. 3 is a left side elevation view thereof, the right side elevation view being a mirror image;
FIG. 4 is a rear elevation view thereof;
FIG. 5 is a top plan view thereof;
FIG. 6 is a bottom plan view thereof;
FIG. 7 is an isometric view showing a second embodiment of a desk incorporating my new design, in which the side elevation views are the same as shown and described with respect to FIG. 3;
FIG. 8 is a front elevation view thereof;
FIG. 9 is a rear elevation view thereof;
FIG. 10 is a top plan view thereof; and,
FIG. 11 is a bottom plan view thereof.

1 Claim, 7 Drawing Sheets



US D559,579 S

Page 2

U.S. PATENT DOCUMENTS

D480,239 S	10/2003	Risdall		D495,902 S	9/2004	Haberman et al.
D480,583 S	10/2003	Risdall		D501,103 S	1/2005	Ashby et al.
D486,017 S *	2/2004	Stanton D6/484	D501,741 S	2/2005	Risdall
D486,679 S	2/2004	Linder		D502,028 S	2/2005	Ashby et al.

* cited by examiner

FIG. 1

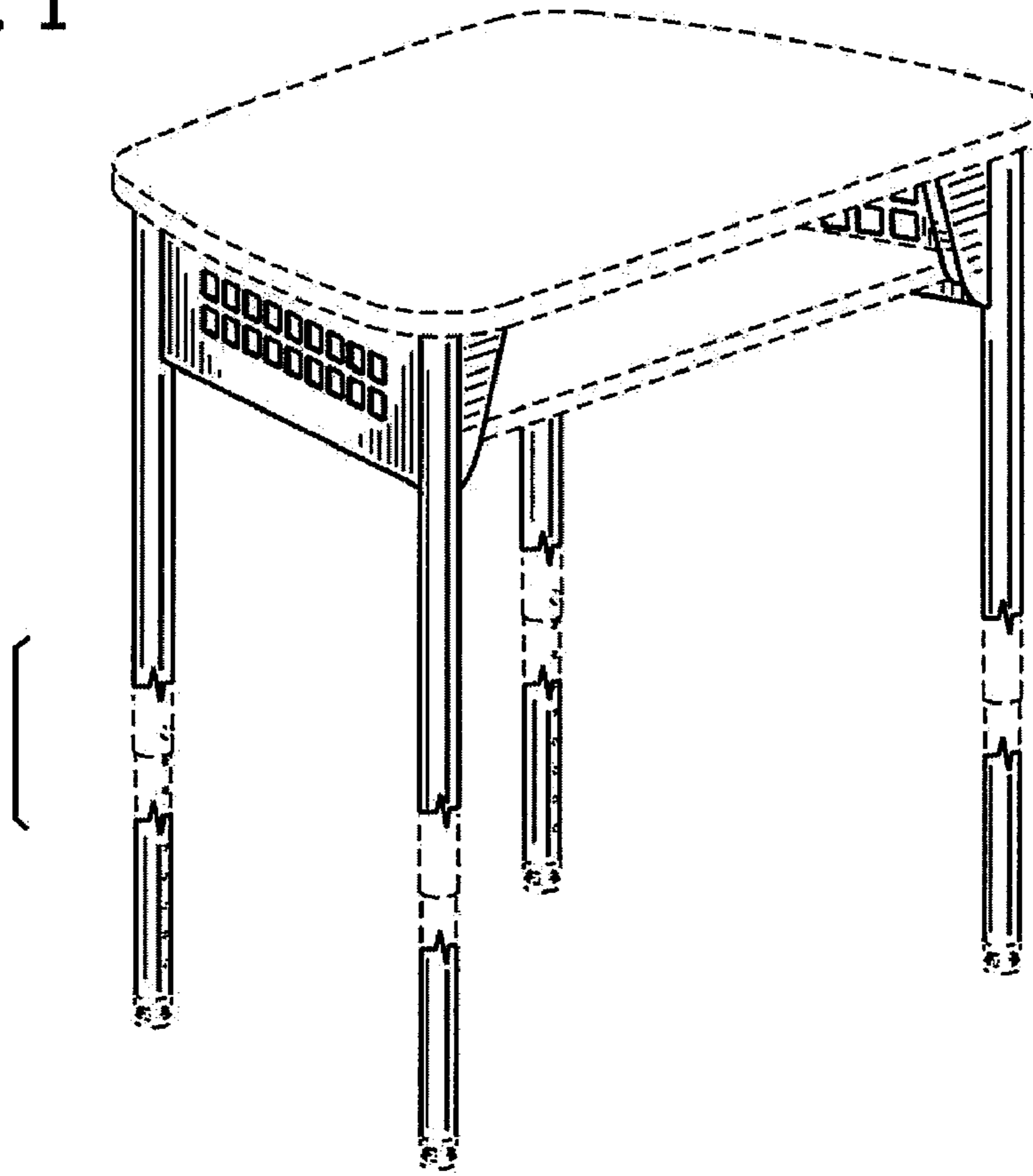


FIG. 2

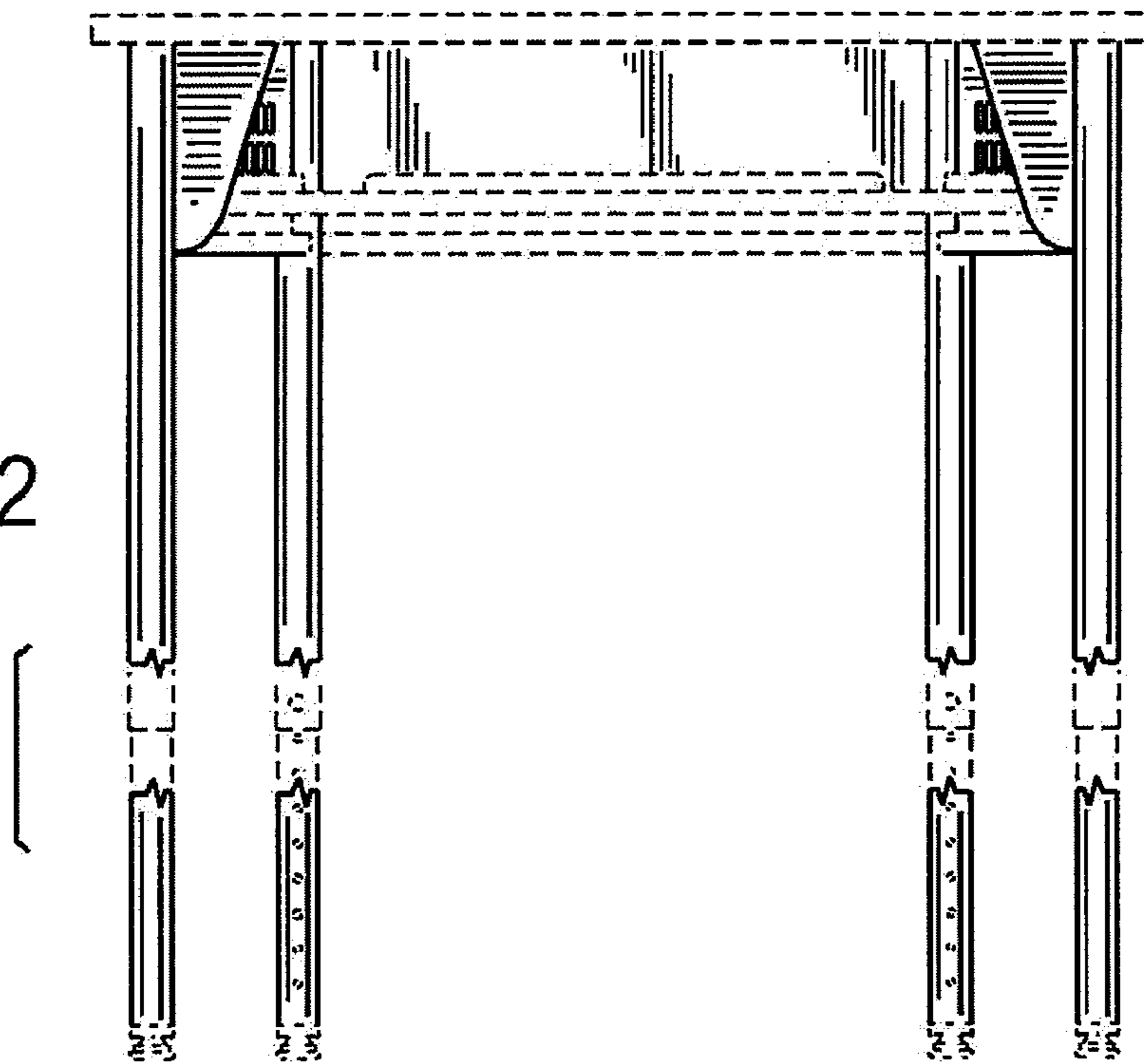


FIG. 3

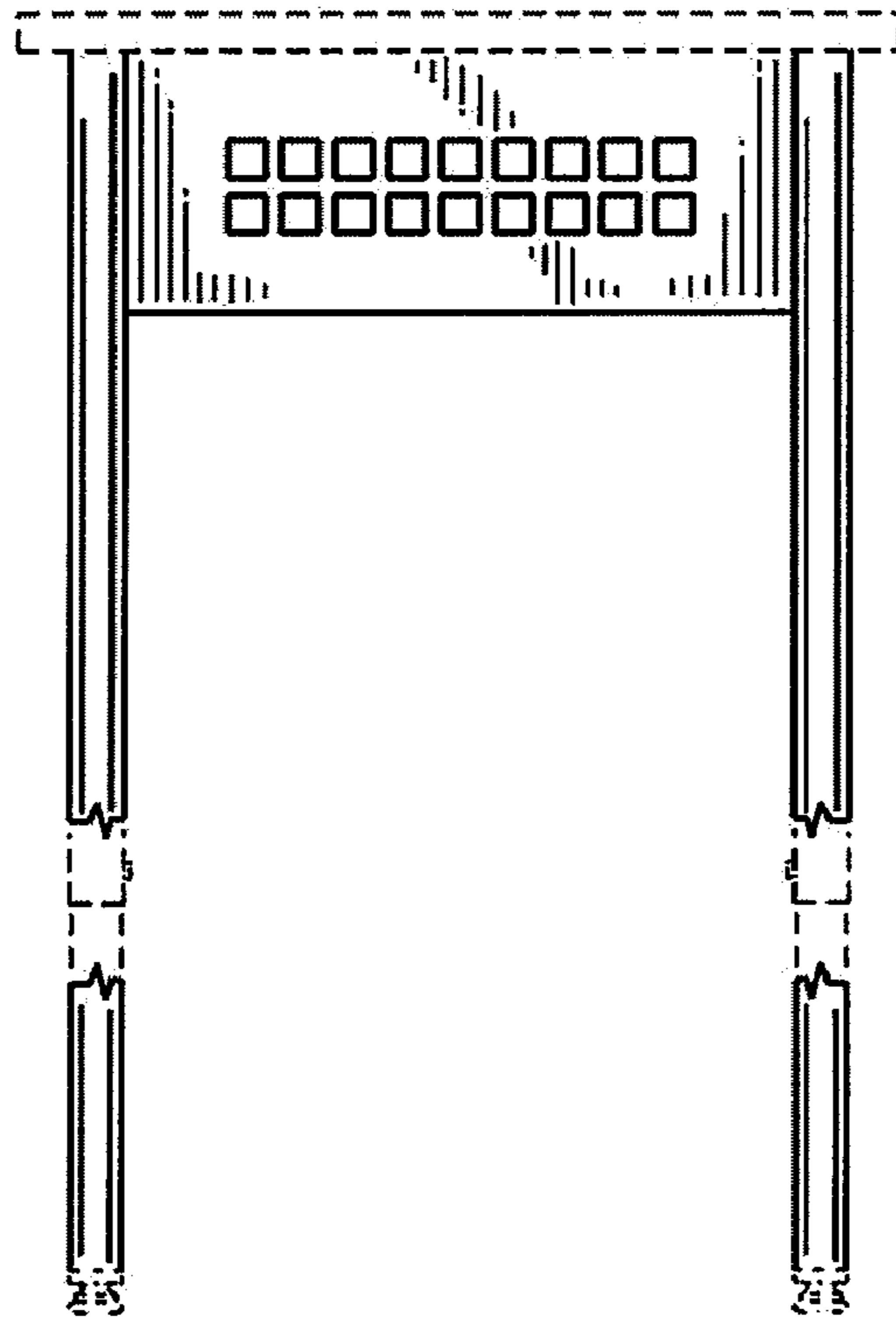


FIG. 4

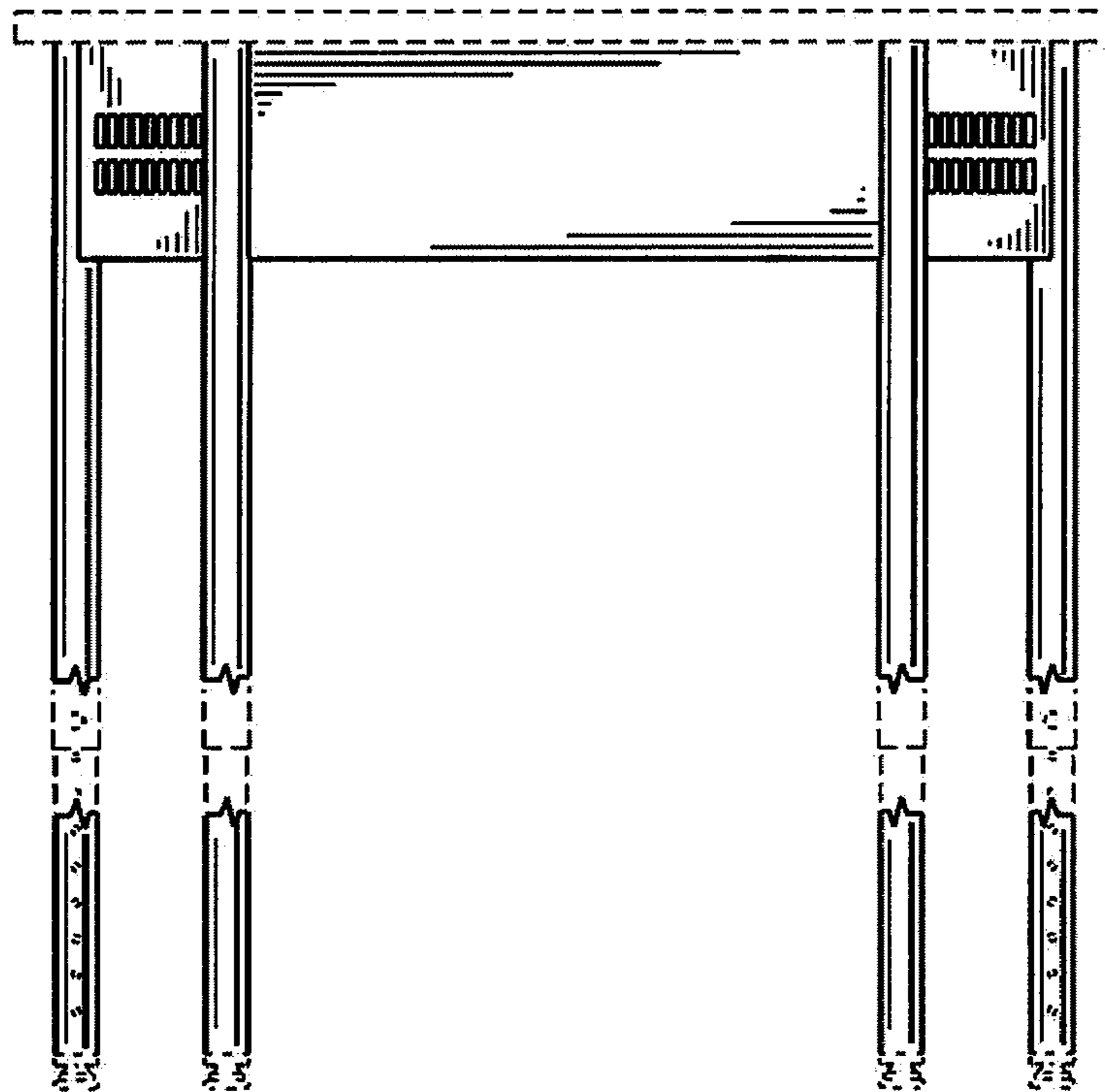


FIG. 5

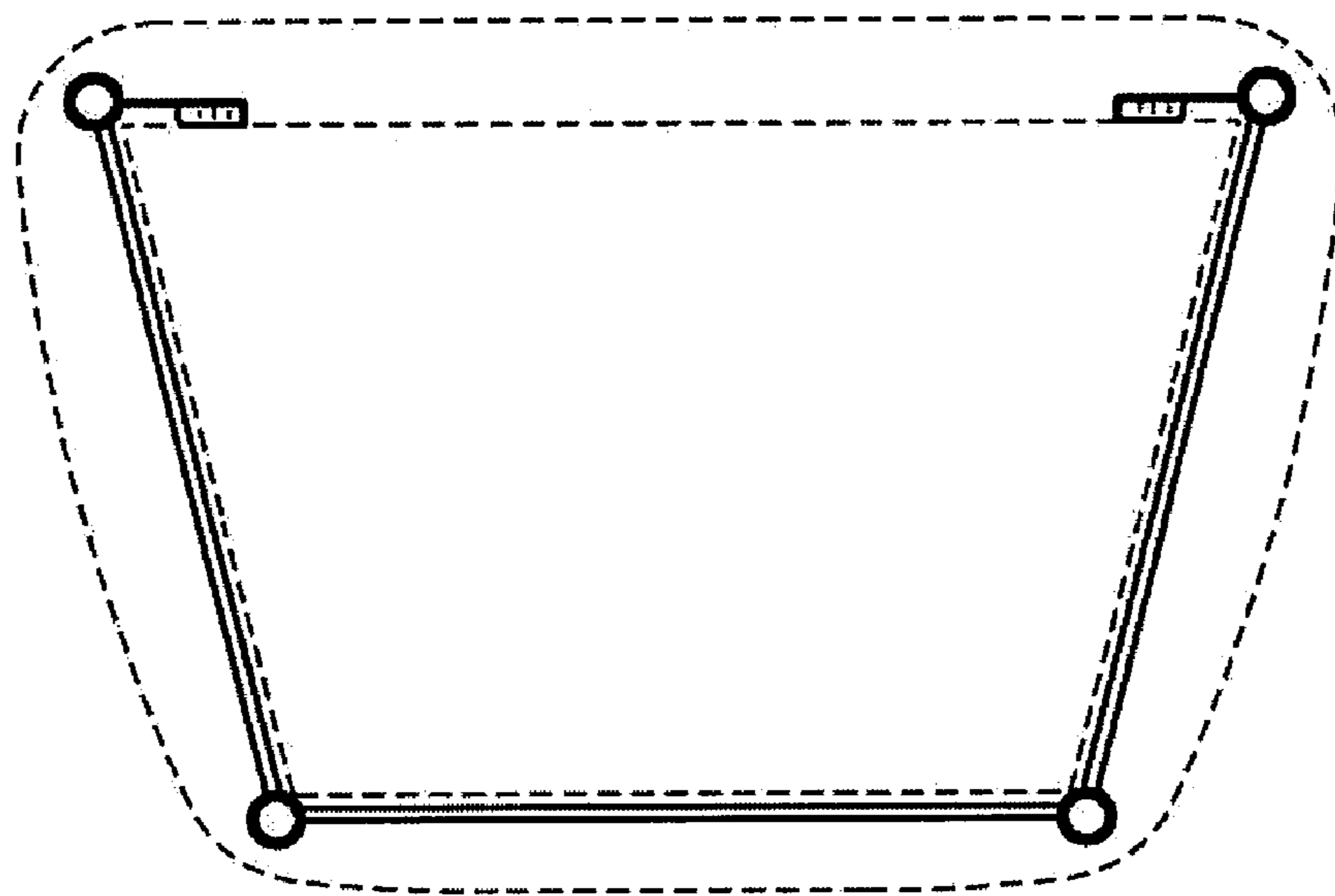
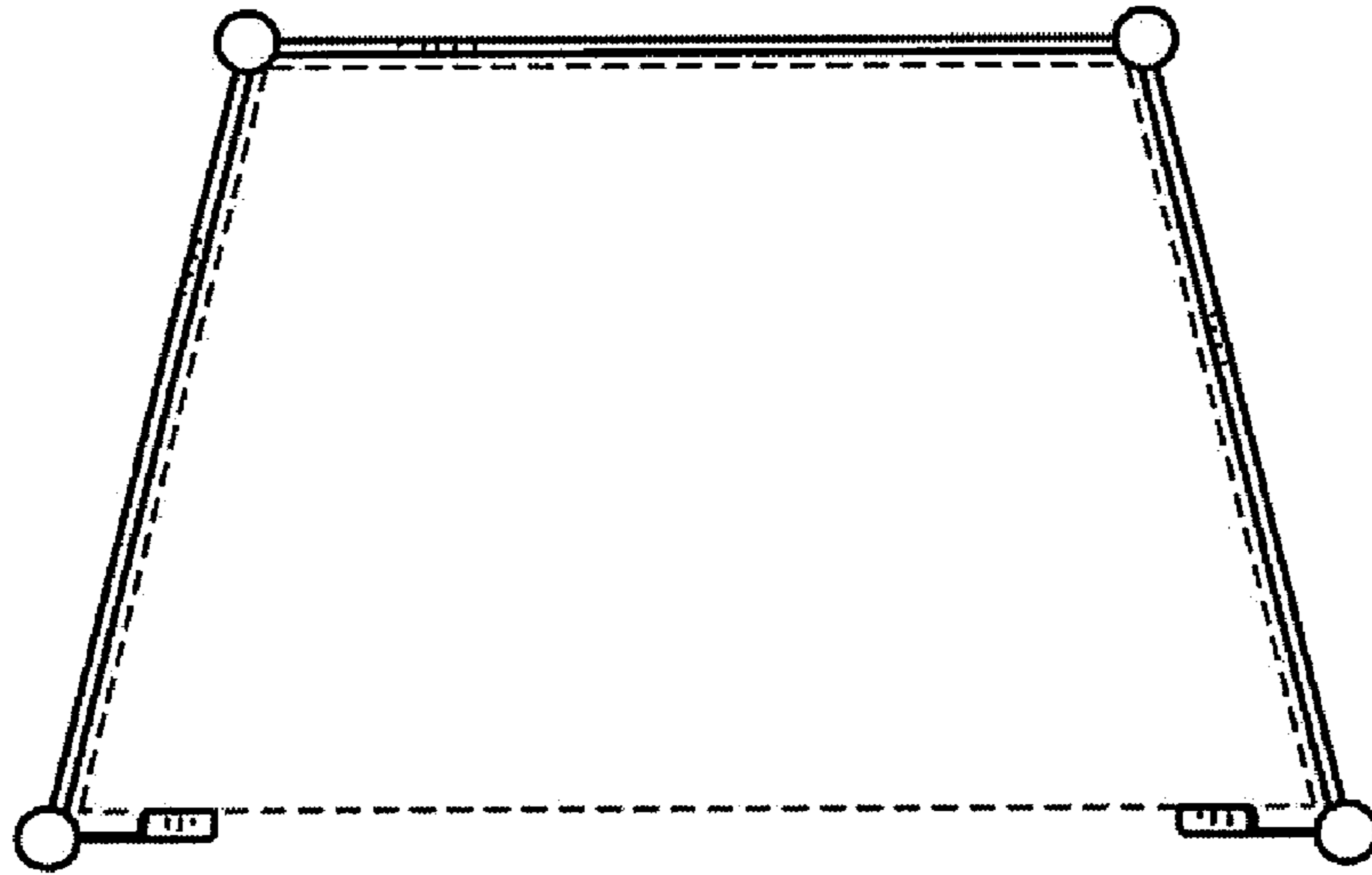


FIG. 6

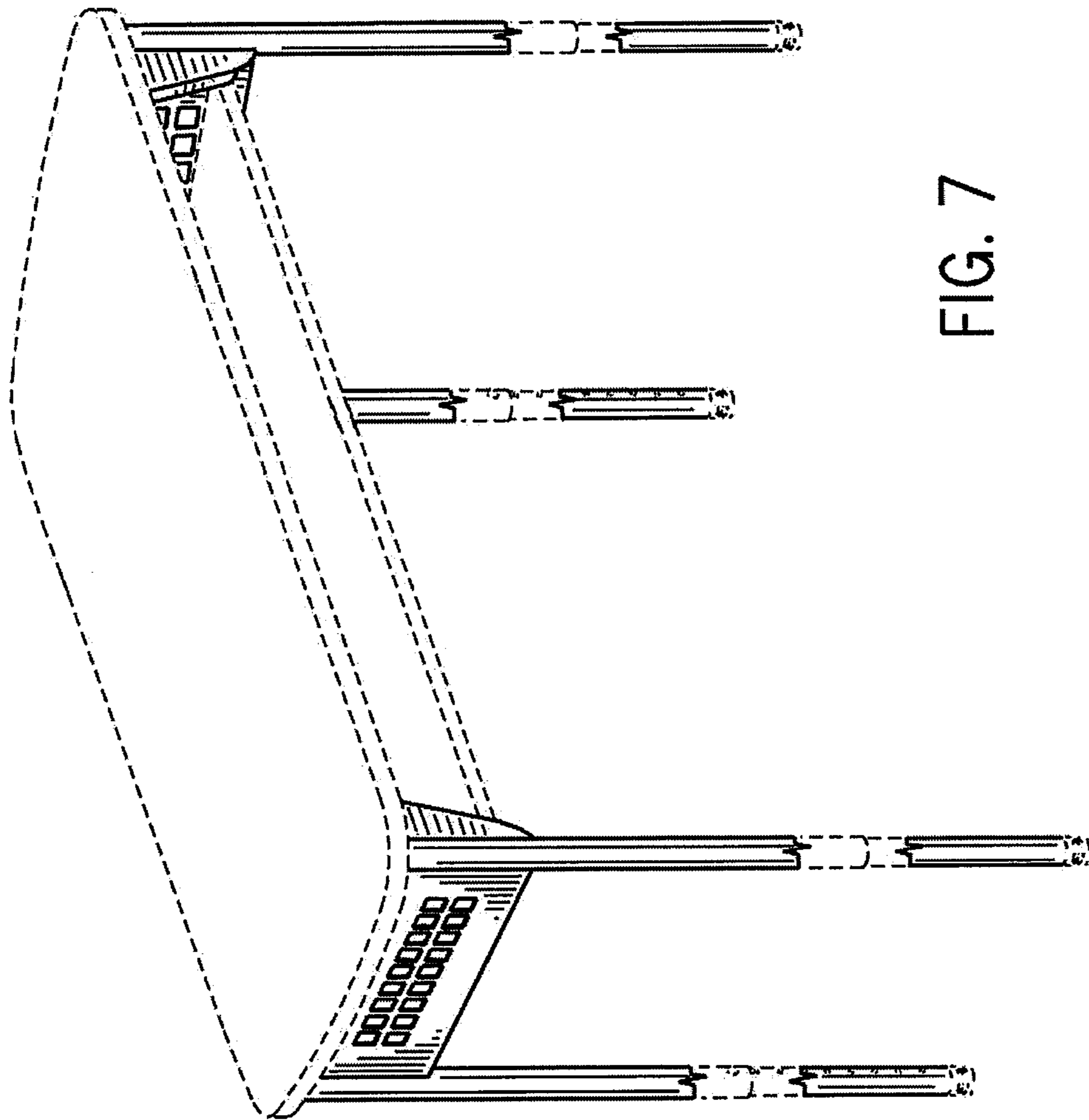


FIG. 7



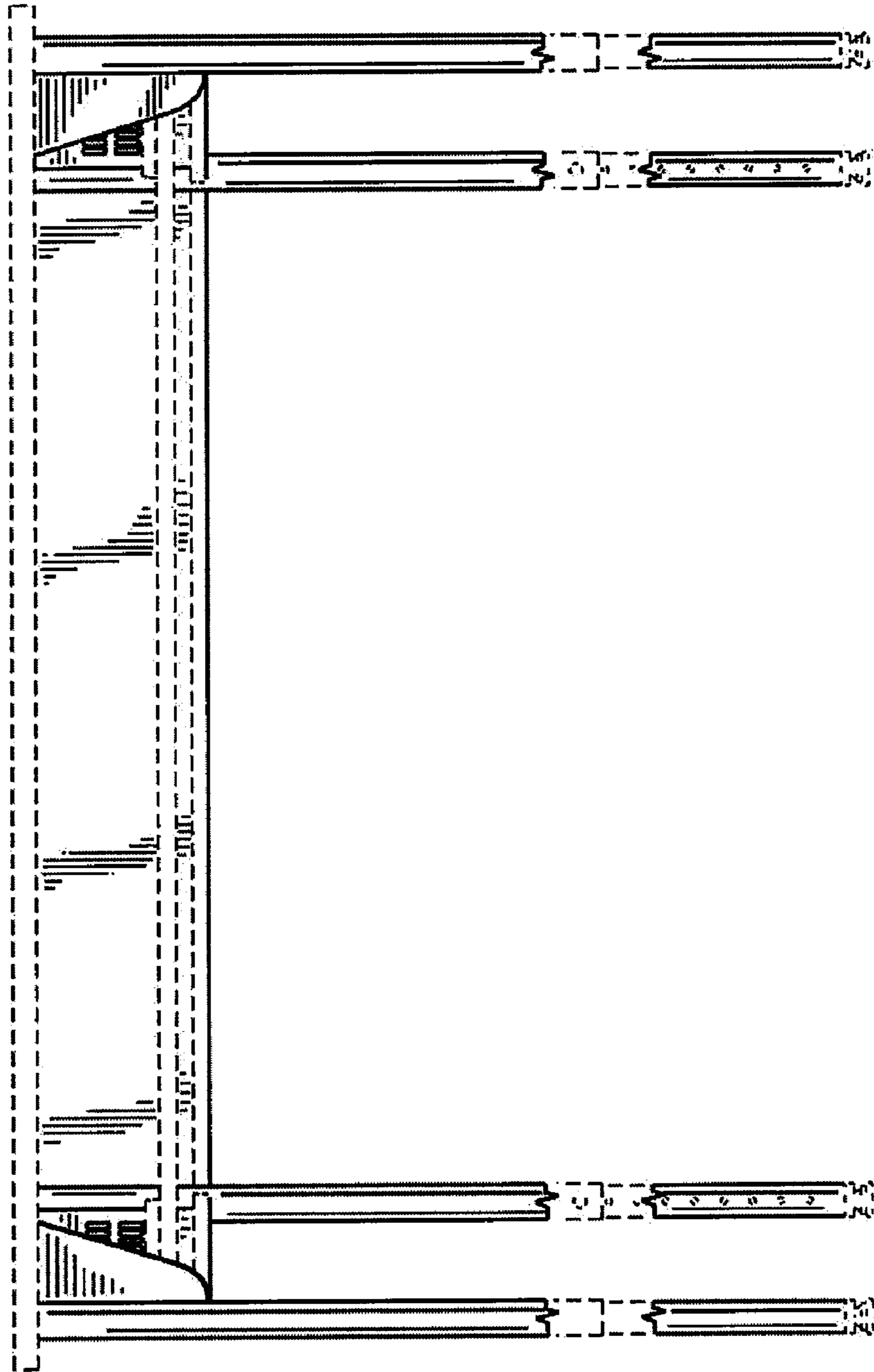


FIG. 8

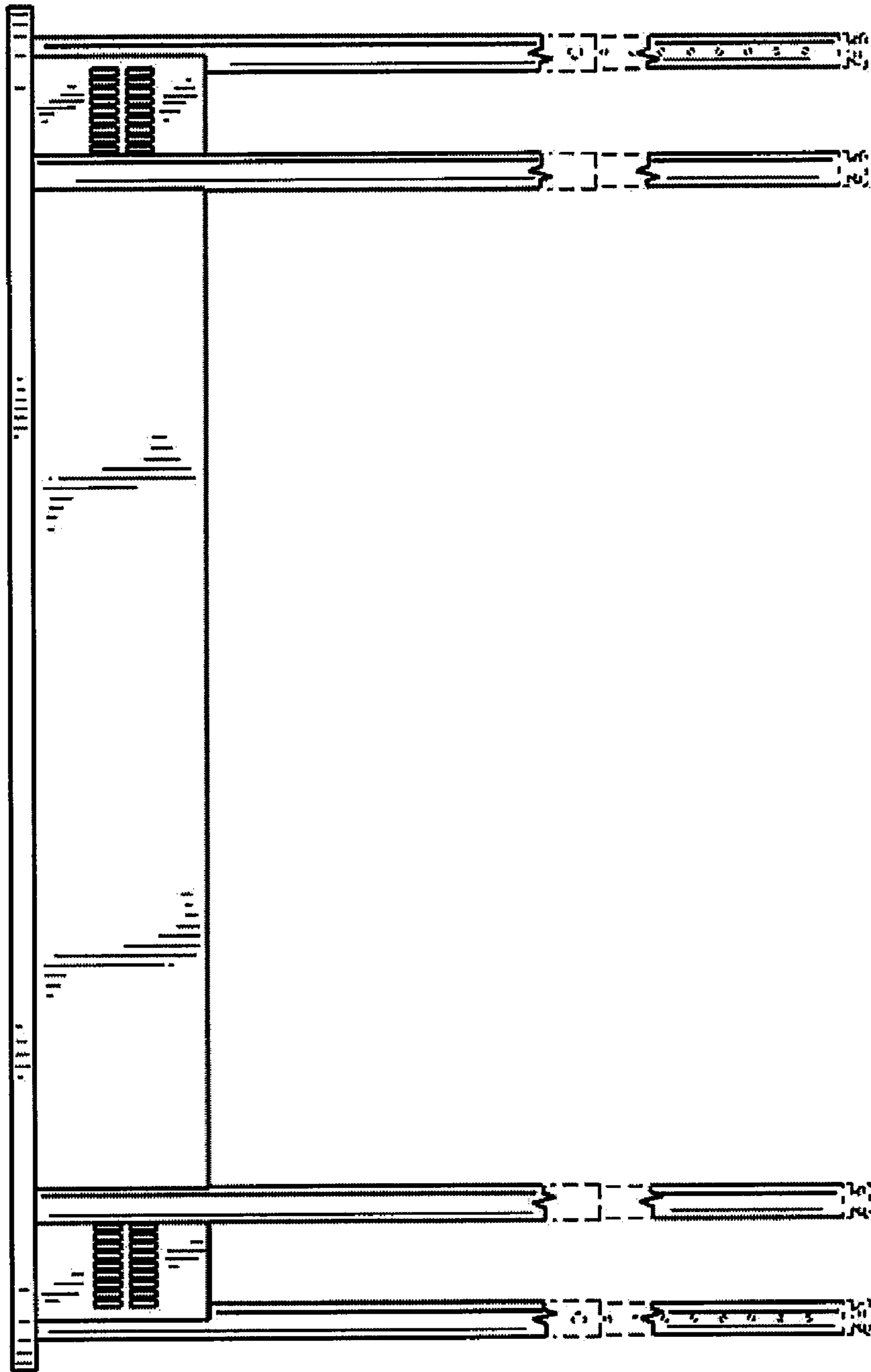


FIG. 9

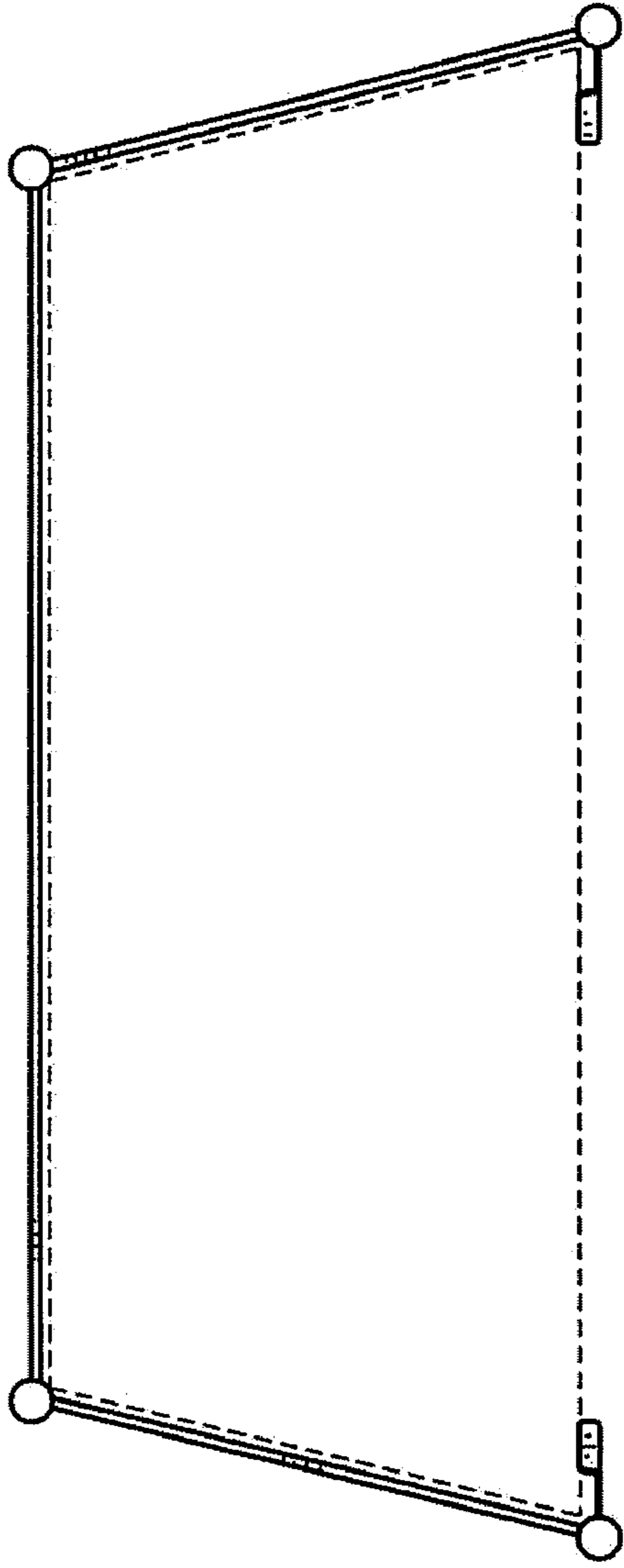


FIG. 10

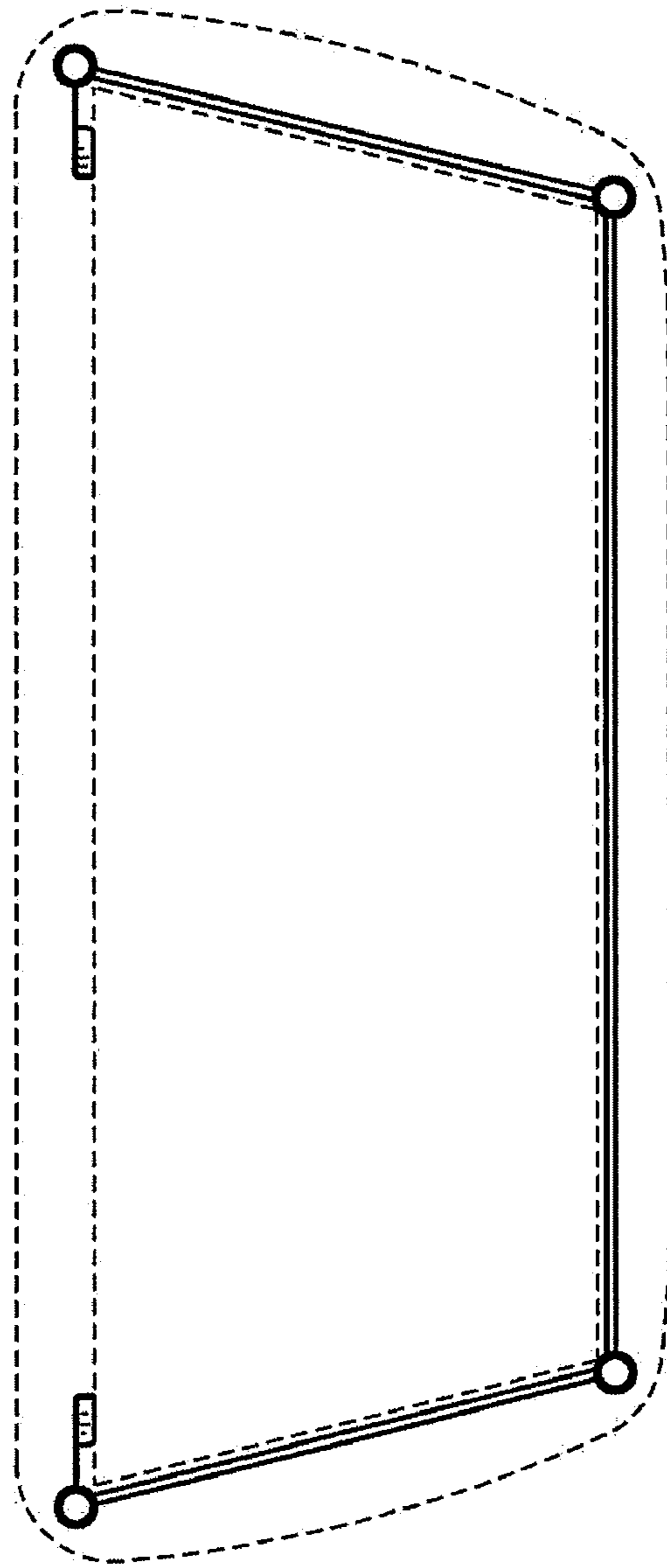


FIG. 11