



US00D559578S

(12) **United States Design Patent**  
**Kaiser**

(10) **Patent No.:** **US D559,578 S**  
(45) **Date of Patent:** **\*\* Jan. 15, 2008**

(54) **GRIP BAR FOR SLIDE-OUT MEDIA STORAGE CONTAINER**

5,709,300 A 1/1998 Bologna  
5,746,314 A 5/1998 Knutsen  
5,779,040 A 7/1998 Attar  
D406,487 S \* 3/1999 Attar et al. .... D6/632  
D407,591 S 4/1999 Bologna

(75) Inventor: **Shelli C. Kaiser**, Copley, OH (US)

(73) Assignee: **Nexpak Corporation**, Duluth, GA (US)

(\*\*) Term: **14 Years**

(21) Appl. No.: **29/237,535**

(22) Filed: **Aug. 31, 2005**

(51) **LOC (8) Cl.** ..... **06-02**

(52) **U.S. Cl.** ..... **D6/407; D6/627**

(58) **Field of Classification Search** ..... D6/407,  
D6/626-635; 206/209, 310-313, 751; 211/40,  
211/41.1, 41.12, 16, 23, 24; D3/273, 294,  
D3/295, 299-301, 303; D21/484, 486, 494;  
52/433, 650.1, 824.1, 726.2, 729.1, 731.1;  
D12/47, 50; D25/119, 126, 127; D10/87,  
D10/90; D99/99; 70/57.1

See application file for complete search history.

(56) **References Cited**

**U.S. PATENT DOCUMENTS**

669,639	A *	3/1901	Hessel et al. ....	52/729.1
993,242	A *	5/1911	Grey .....	52/729.1
1,141,445	A *	6/1915	Davidson .....	49/404
RE17,004	E *	6/1928	Blakely .....	52/729.1
1,764,134	A *	6/1930	Young .....	52/100
1,911,413	A *	5/1933	Wait .....	52/729.1
D237,267	S *	10/1975	Edwards .....	D25/123
4,159,827	A	7/1979	Torrington	
4,429,872	A *	2/1984	Capachi .....	473/490
4,463,849	A	8/1984	Prusak	
4,609,105	A *	9/1986	Manes et al. ....	206/308.3
5,360,107	A	11/1994	Chasin	
5,366,073	A	11/1994	Turrentine	
5,590,769	A	1/1997	Lin	
5,655,656	A	8/1997	Gottlieb	
D384,538	S *	10/1997	Bosworth .....	D6/632

(Continued)

*Primary Examiner*—Ian Simmons  
*Assistant Examiner*—Charles D Hanson  
(74) *Attorney, Agent, or Firm*—Zollinger & Burleson Ltd

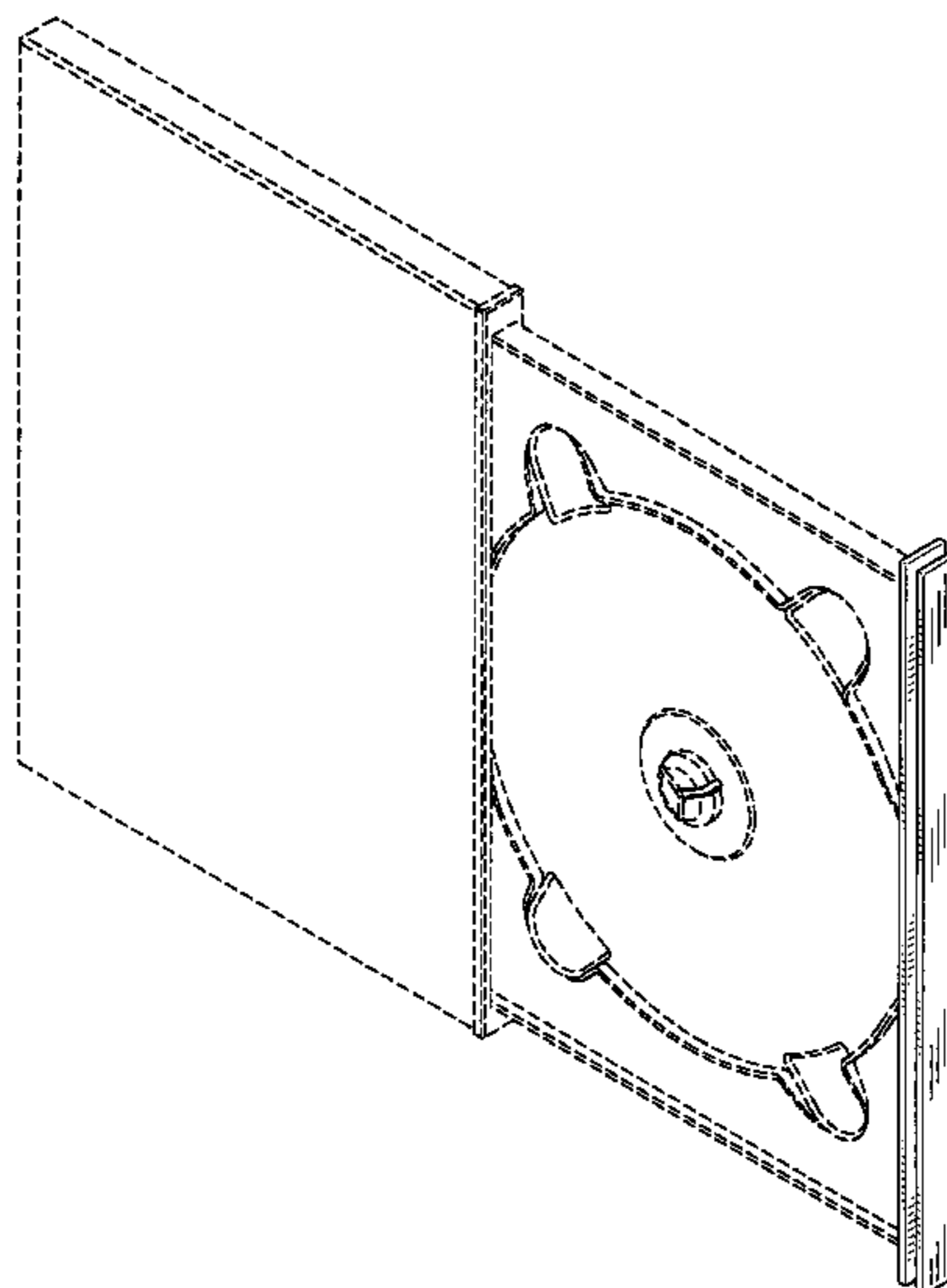
(57) **CLAIM**

The ornamental design for the grip bar for slide-out media storage container, as shown and described.

**DESCRIPTION**

FIG. 1 is a perspective view of a grip bar for slide-out media storage container, showing my new design;  
FIG. 2 is a front elevation view thereof;  
FIG. 3 is a rear elevation view thereof;  
FIG. 4 is a top plan view thereof;  
FIG. 5 is a bottom plan view thereof;  
FIG. 6 is a left side view thereof;  
FIG. 7 is a right side view thereof;  
FIG. 8 is a perspective view of a second embodiment of the design shown in FIG. 1  
FIG. 9 is a front elevation view, the rear elevation being a mirror image thereof;  
FIG. 10 is a left side view thereof;  
FIG. 11 is a right side view thereof;  
FIG. 12 is a top plan view thereof; and,  
FIG. 13 is a bottom plan view thereof.  
The broken lines form no part of the claimed design.

**1 Claim, 9 Drawing Sheets**



# US D559,578 S

Page 2

---

U.S. PATENT DOCUMENTS							
				6,374,648	B1 *	4/2002	Mitsuyama ..... 70/57.1
5,944,182	A	8/1999	Williams	6,467,616	B2	10/2002	Hegarty
5,988,376	A *	11/1999	Lax ..... 206/308.2	6,712,203	B2	3/2004	Chung
6,032,794	A	3/2000	Yu	6,913,148	B2 *	7/2005	Berg et al. .... 206/493
6,168,015	B1	1/2001	Shimizu				

\* cited by examiner

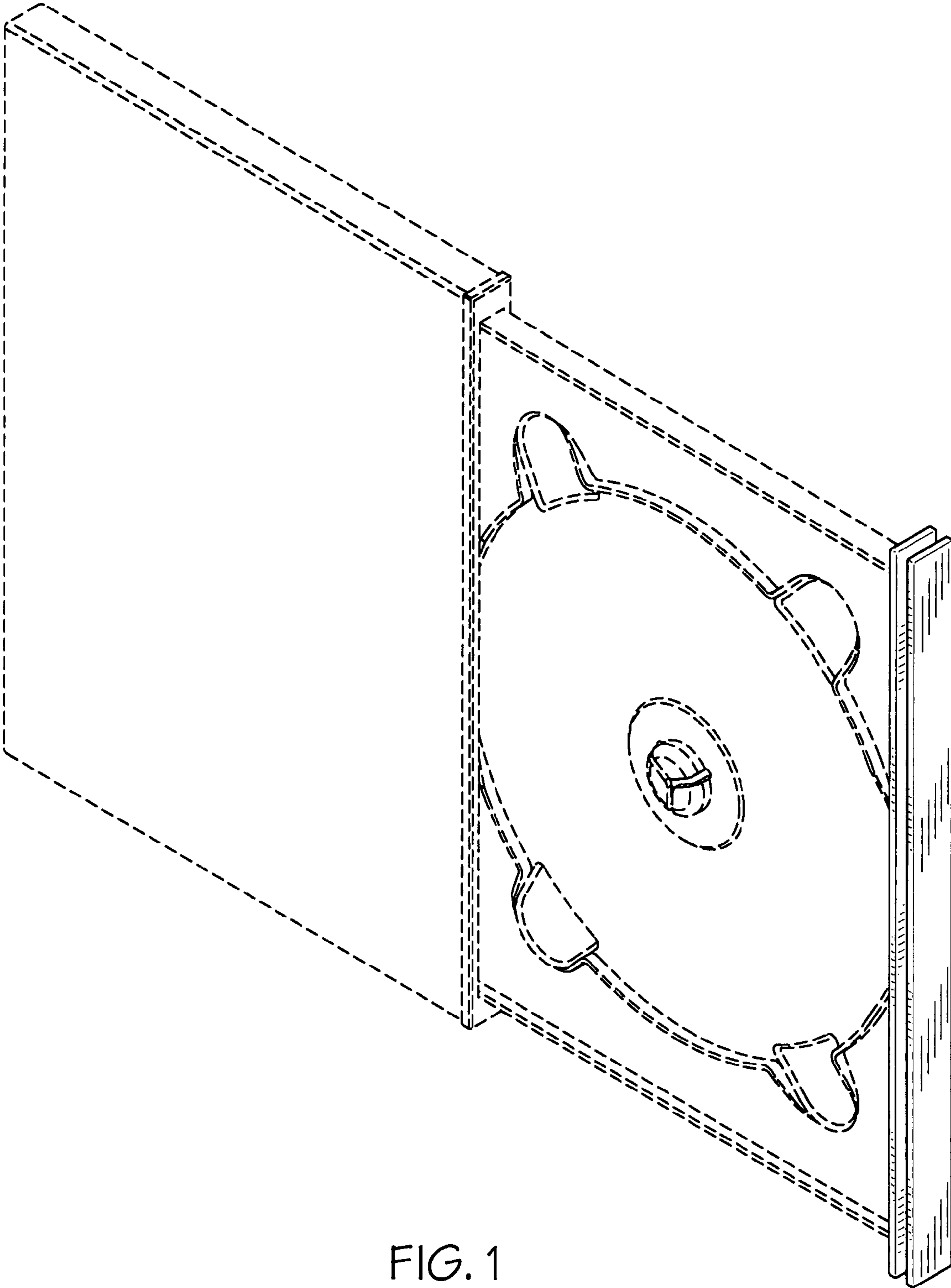


FIG. 1

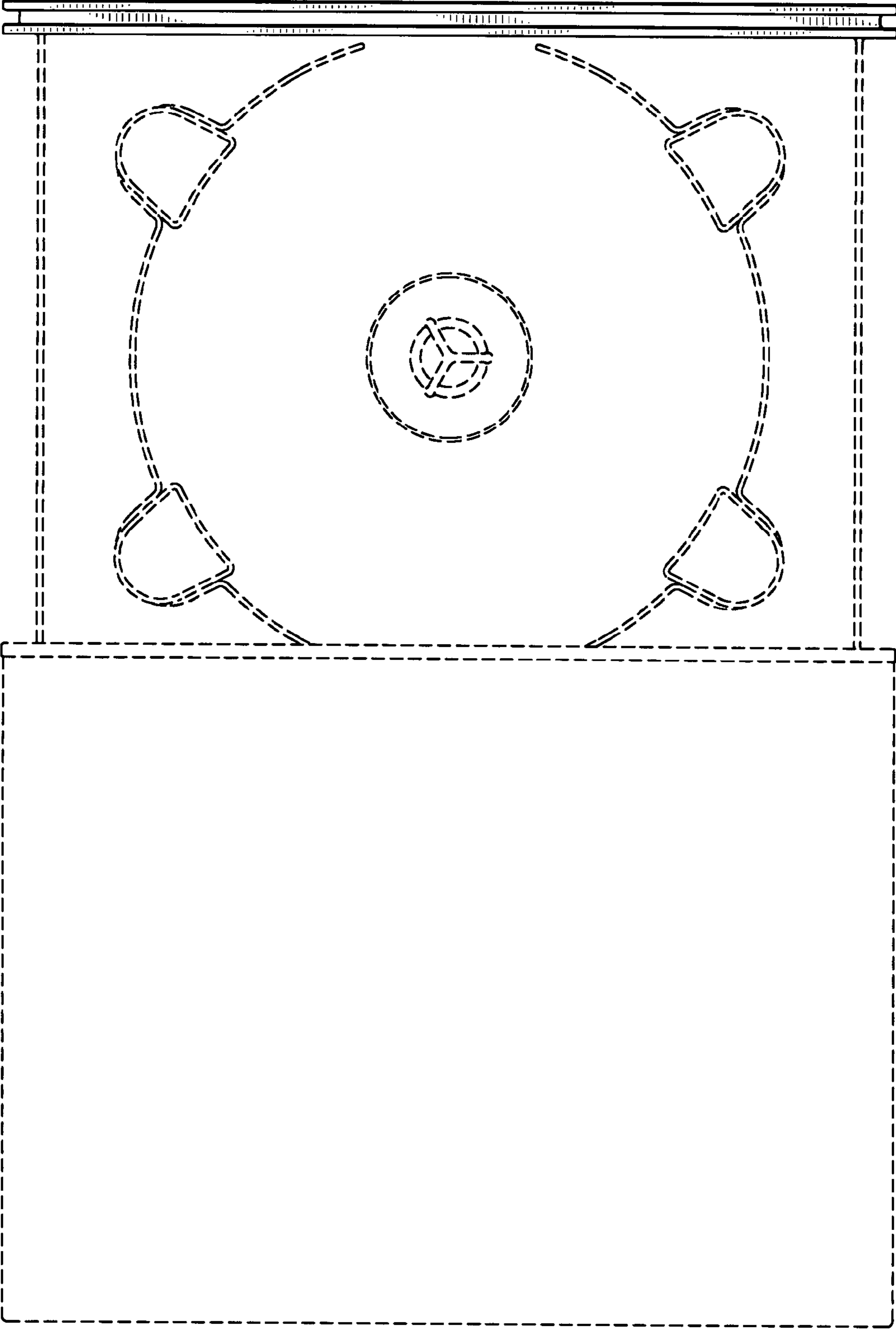


FIG. 2

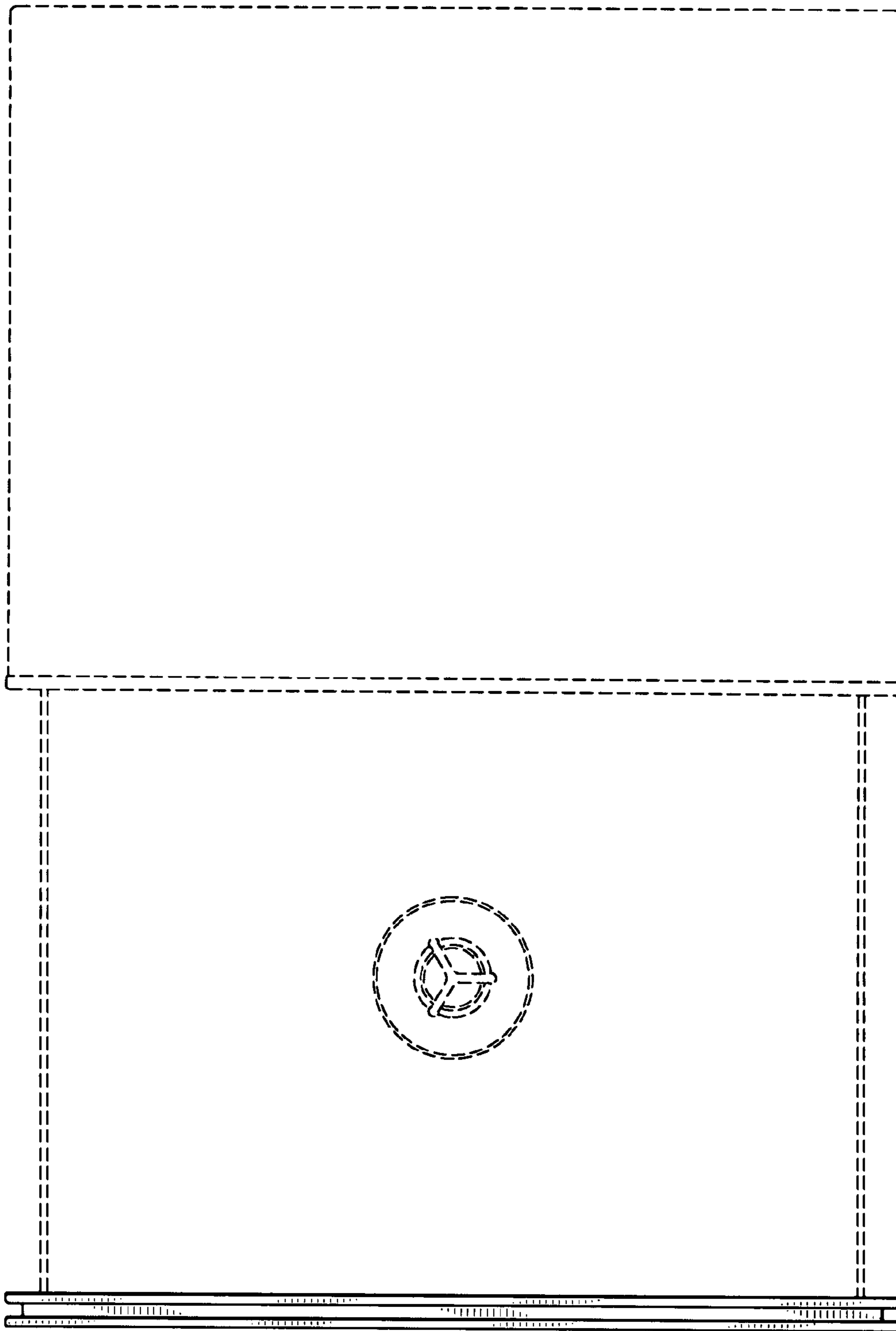


FIG. 3

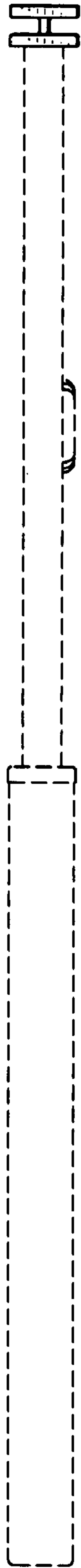


FIG. 4

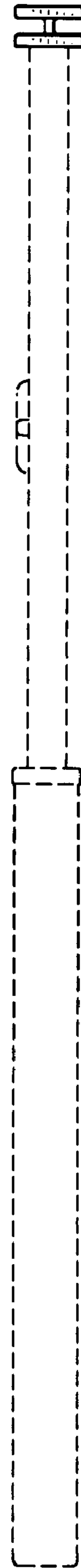


FIG. 5



FIG. 7



FIG. 6

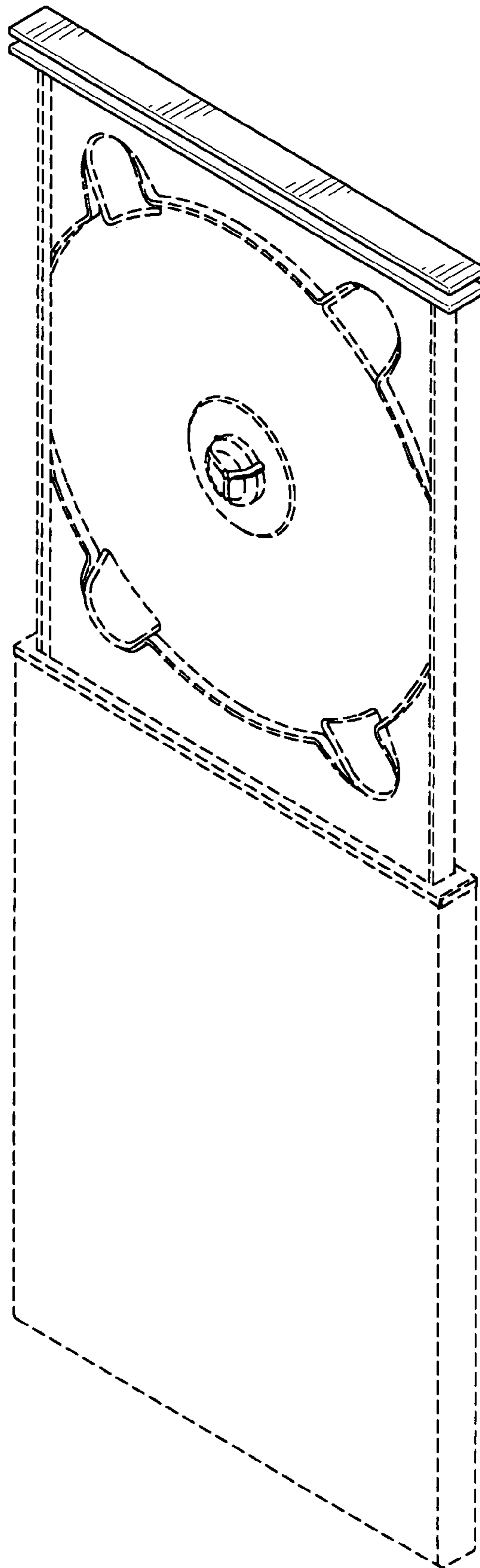


FIG. 8



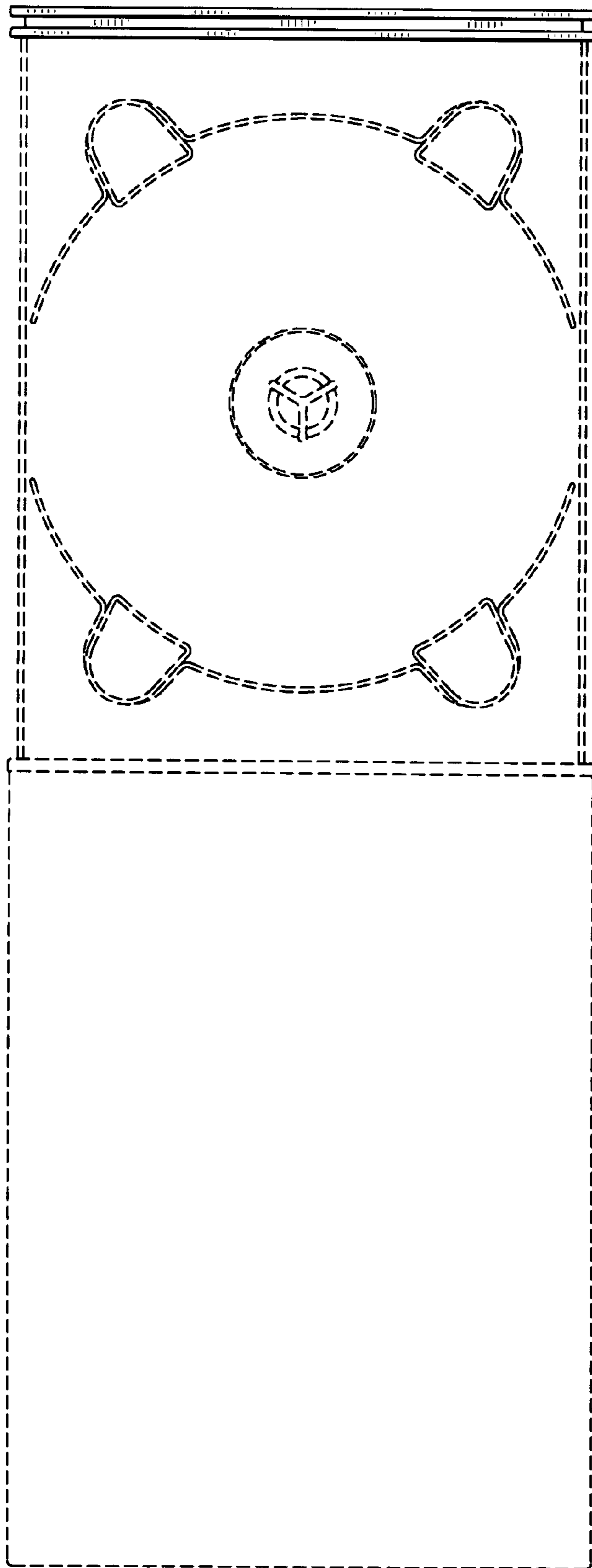


FIG. 9

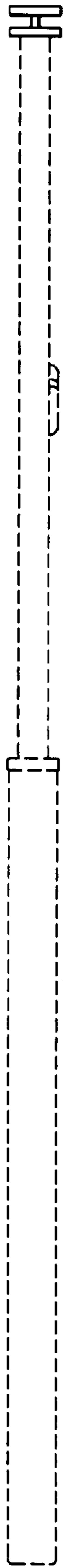


FIG. 10

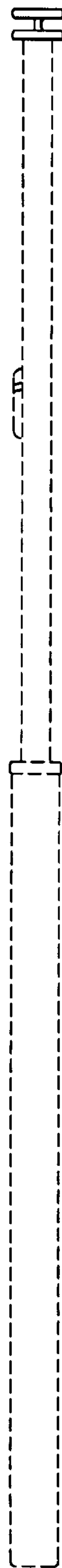


FIG. 11



FIG. 12

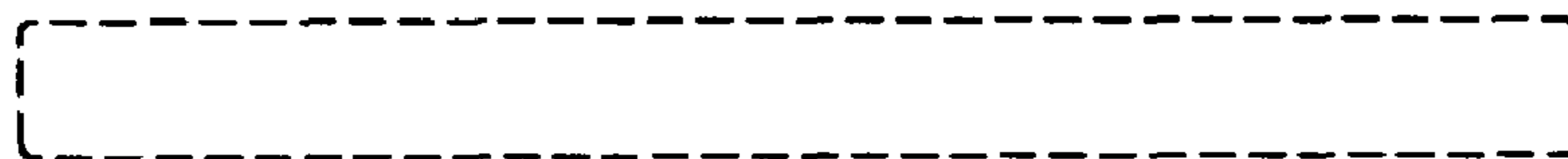


FIG. 13