



US00D559569S

(12) **United States Design Patent**
Pappas

(10) **Patent No.:** **US D559,569 S**
(45) **Date of Patent:** **** Jan. 15, 2008**

(54) **BACKLESS BENCH WITH ARCHED BASE MEMBER**

(74) *Attorney, Agent, or Firm*—Thomas M. Freiburger

(76) **Inventor:** **Mark Pappas**, P.O. Box 2458, Rancho Mirage, CA (US) 92270

(57) **CLAIM**

The ornamental design for a backless bench with arched base member, substantially as shown and described.

(**) **Term:** **14 Years**

DESCRIPTION

(21) **Appl. No.:** **29/273,909**

FIG. 1 is a frontal perspective view showing a backless bench with arched base member according to my new design, the dashed lines indicating seat structure not forming a part of my design;

(22) **Filed:** **Mar. 16, 2007**

FIG. 2 is a right side elevation view thereof, the left side elevation being identical;

(51) **LOC (8) Cl.** **06-01**

(52) **U.S. Cl.** **D6/355**

(58) **Field of Classification Search** D6/334-336,
D6/349, 355, 370, 374, 376, 379, 380, 381,
D6/499, 500-502; 297/232, 445.1, 446.1,
297/452.63

FIG. 3 is a top plan view thereof;

FIG. 4 is a front elevation view thereof, the rear elevation being identical;

See application file for complete search history.

FIG. 5 is a bottom plan view thereof;

(56) **References Cited**

U.S. PATENT DOCUMENTS

FIG. 6 is a perspective view showing a second embodiment of a backless bench with arched base member according to my new design, the dashed lines indicating seat structure not forming a part of my design;

D322,896 S *	1/1992	Sawtelle	D6/355
D345,469 S *	3/1994	Wirth	D6/355
D369,914 S *	5/1996	Kirn et al.	D6/355
D457,738 S *	5/2002	Slear et al.	D6/355
D491,739 S	6/2004	Pappas		
D503,552 S *	4/2005	Messier	D6/349
D512,229 S *	12/2005	Reza-Hadden	D6/355
D521,763 S *	5/2006	Wilmotte	D6/381

FIG. 7 is a right side elevation view thereof, the left side elevation being identical;

FIG. 8 is a top plan view;

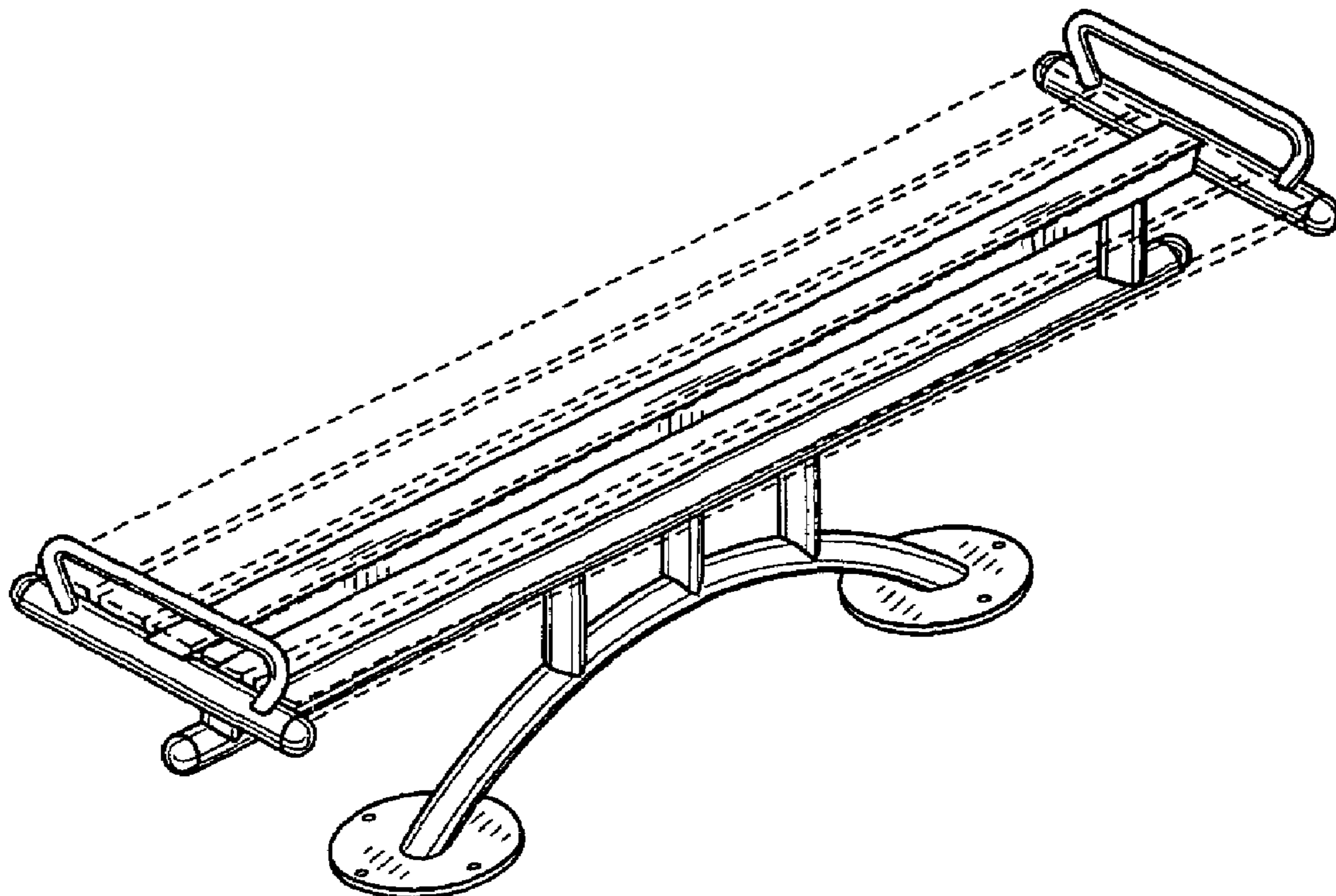
* cited by examiner

FIG. 9 is a front elevation view thereof, the rear elevation being identical; and,

FIG. 10 is a bottom plan view thereof.

Primary Examiner—Mimosa De

1 Claim, 2 Drawing Sheets



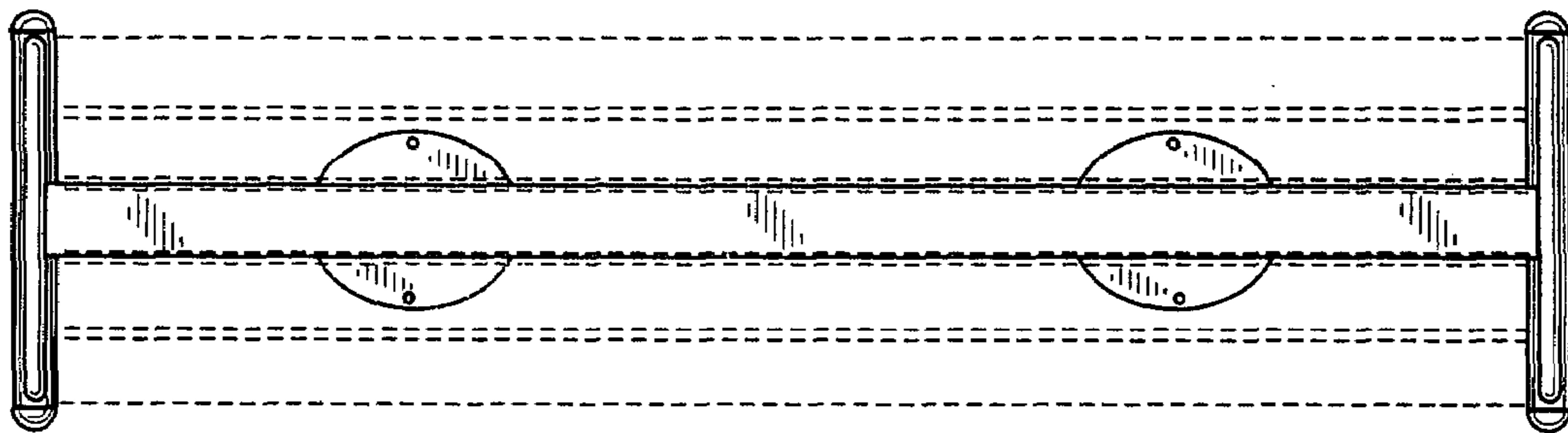
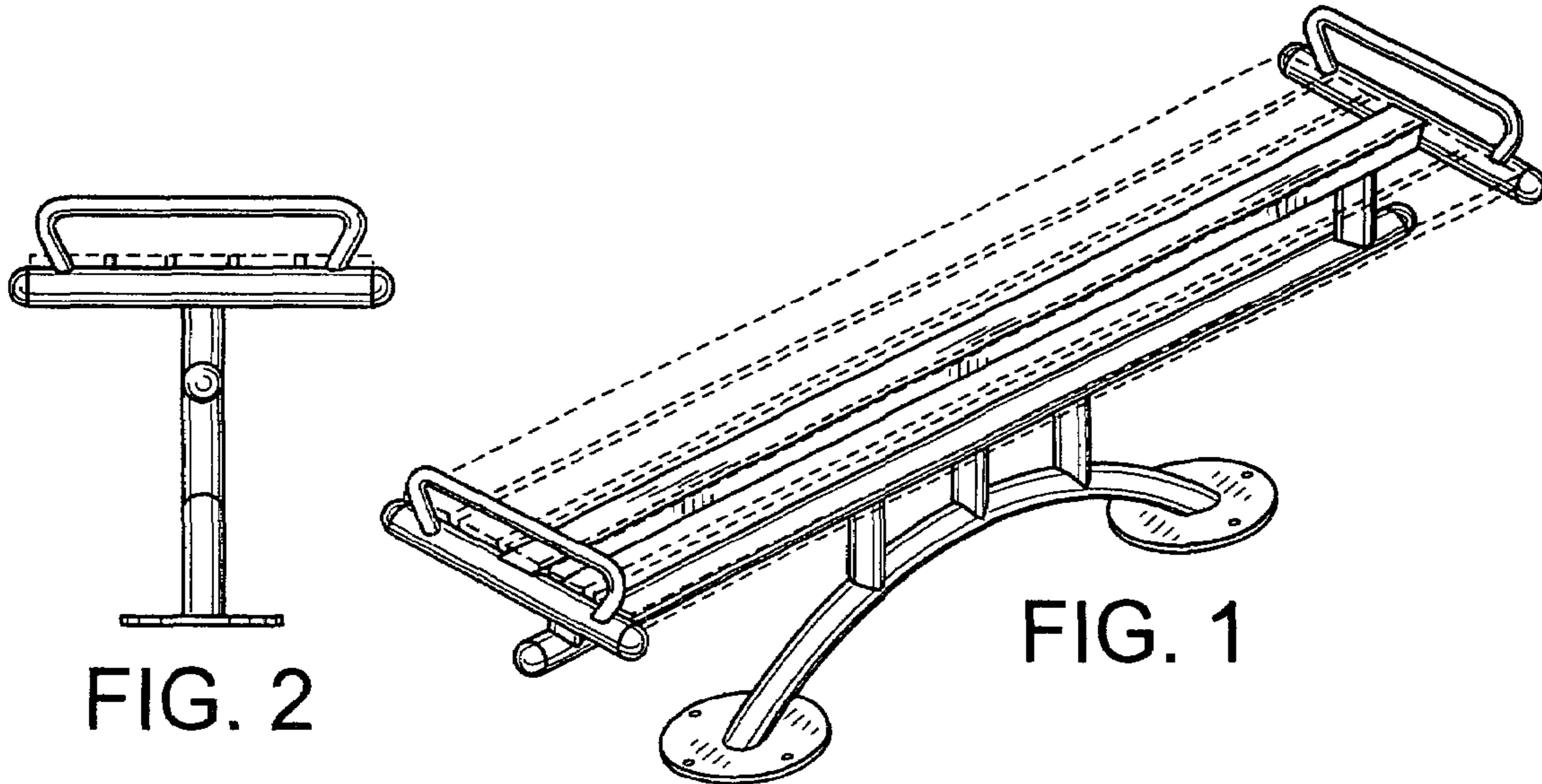


FIG. 3

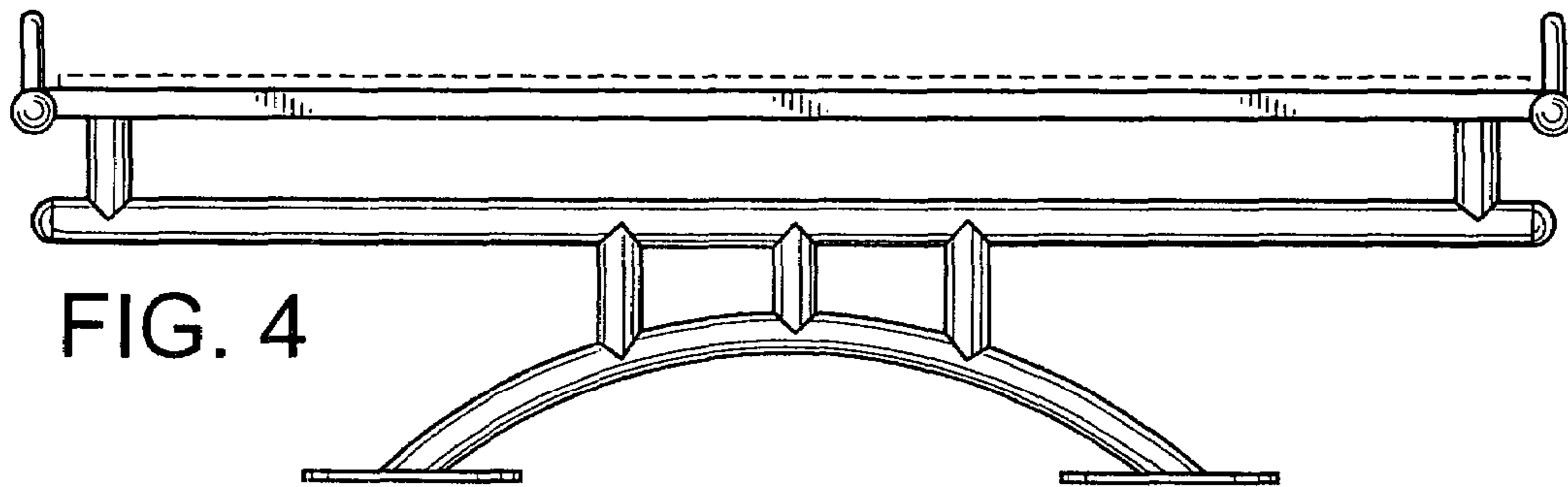


FIG. 4

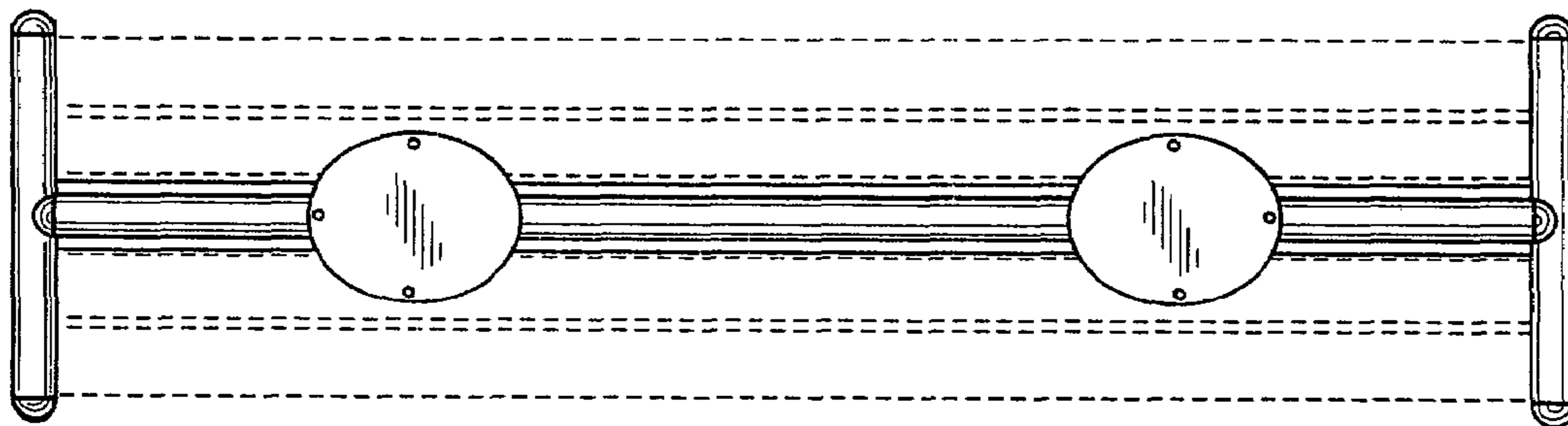


FIG. 5

