



US00D559560S

(12) **United States Design Patent**
Mischel, Jr.

(10) **Patent No.: US D559,560 S**
(45) **Date of Patent: ** Jan. 15, 2008**

- (54) **BACKLIT MIRROR WITH TV**
- (75) Inventor: **James Vernon Mischel, Jr.**, Seattle, WA (US)
- (73) Assignee: **Electric Mirror, L.L.C.**, Edmonds, WA (US)
- (**) Term: **14 Years**
- (21) Appl. No.: **29/262,483**
- (22) Filed: **Jun. 30, 2006**
- (51) **LOC (8) Cl. 06-07**
- (52) **U.S. Cl. D6/309; D14/129**
- (58) **Field of Classification Search** D6/300, D6/301, 308, 309, 310; D7/624.1, 388; D21/386, D21/390, 371; D9/455; D11/164; 362/101; 248/346.1; 215/394; 40/700, 711, 722, 40/734, 735, 738, 745, 765, 790, 798, 774, 40/776; 73/715
See application file for complete search history.

D317,697 S *	6/1991	Lage	D7/624.1
D332,030 S *	12/1992	Kauffman et al.	D7/624.1
D339,921 S	10/1993	Nourse	
D343,206 S *	1/1994	Adell	D21/371
D345,379 S	3/1994	Chan	
D346,764 S *	5/1994	Sellers	D11/164
D355,100 S *	2/1995	Goodman et al.	D7/624.1
D371,276 S *	7/1996	Laib	D7/388
5,677,492 A *	10/1997	Huang	73/715
D405,473 S	2/1999	Tikhonski et al.	
D433,573 S	11/2000	Rochon	
D459,094 S *	6/2002	Stone et al.	D6/309
D483,574 S *	12/2003	Wanek et al.	D6/309
D488,626 S *	4/2004	Kruger	D6/309
D489,578 S *	5/2004	Lai	D7/624.1
D537,299 S *	2/2007	Mason	D7/624.1
D541,595 S *	5/2007	Barnes	D7/624.1

* cited by examiner

Primary Examiner—Caron D. Veynar
Assistant Examiner—Sydney R. Buffalow
(74) *Attorney, Agent, or Firm*—Christensen O'Connor Johnson Kindness PLLC

(56) **References Cited**

U.S. PATENT DOCUMENTS

1,910,139 A *	5/1933	Venable et al.	215/394
2,004,166 A *	6/1935	Low	248/346.11
D114,451 S	4/1939	Lazarus	
D115,839 S *	7/1939	Silverman	D6/309
D116,353 S *	8/1939	Silverman	D6/309
2,833,437 A *	5/1958	Johnson	215/394
3,017,051 A *	1/1962	Rosenfeld	248/346.11
D245,662 S *	9/1977	Hall	D7/624.1
4,336,574 A *	6/1982	Goodman	362/101
D266,471 S *	10/1982	Symington	D6/309
D292,043 S *	9/1987	Billiet	D6/300
D295,962 S *	5/1988	Conlon	D9/455

(57) **CLAIM**

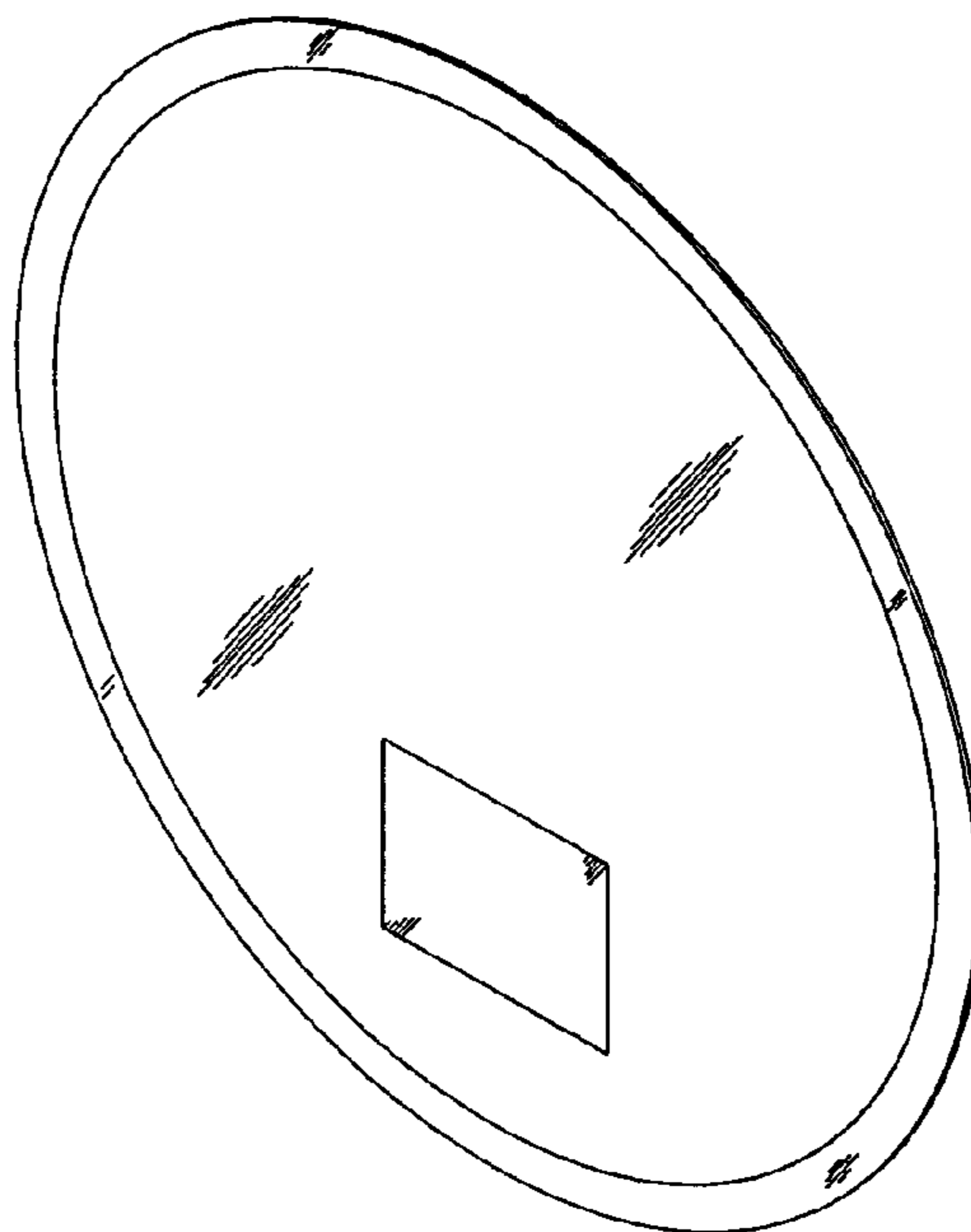
The ornamental design for a backlit mirror with TV, as shown and described.

DESCRIPTION

FIG. 1 is a perspective view of a backlit mirror with TV, showing our new design:

FIG. 2 is a front view and a back view thereof;
FIG. 3 is a left and a right side view thereof; and,
FIG. 4 is a top view and a bottom view thereof.

1 Claim, 2 Drawing Sheets



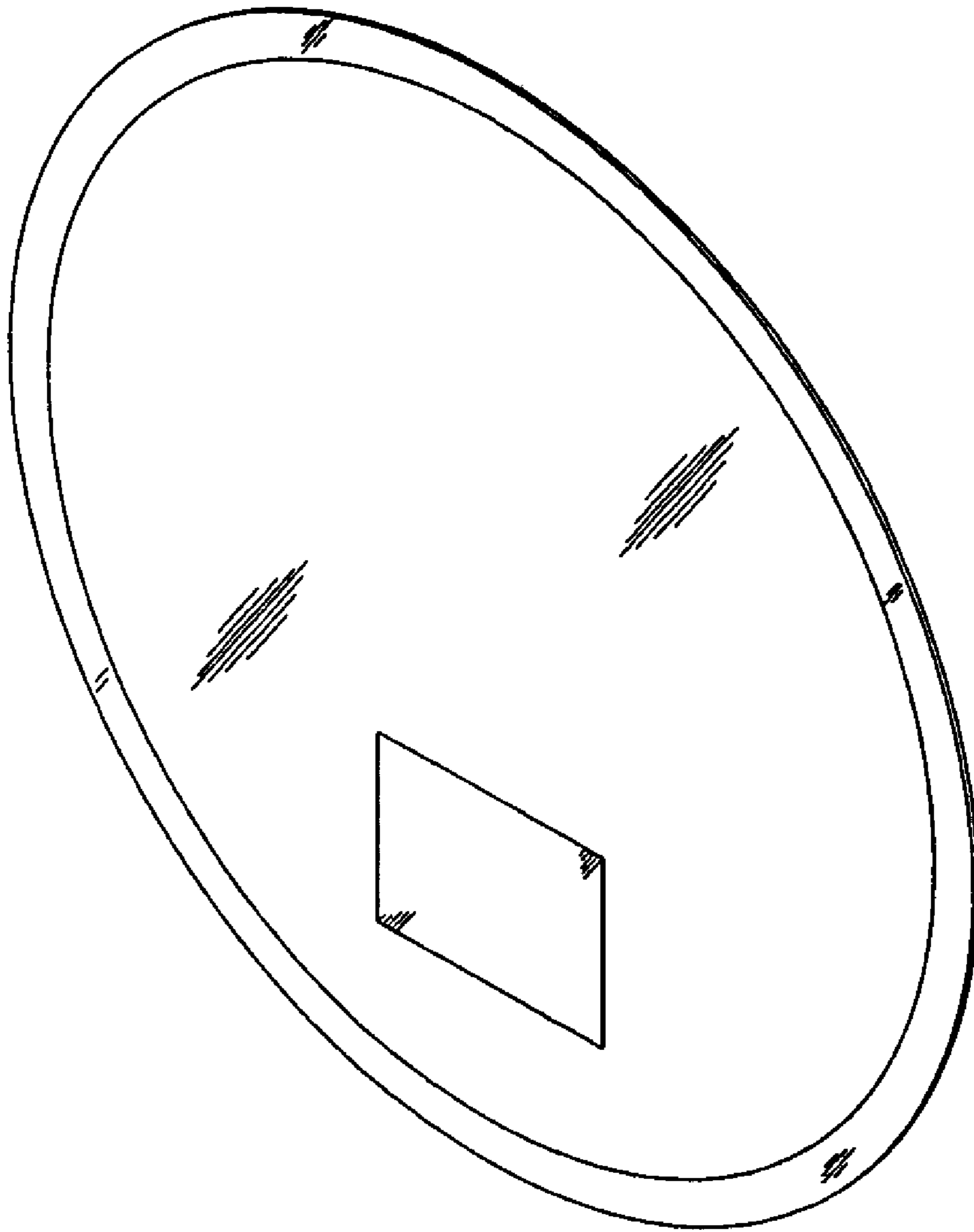


Fig. 1

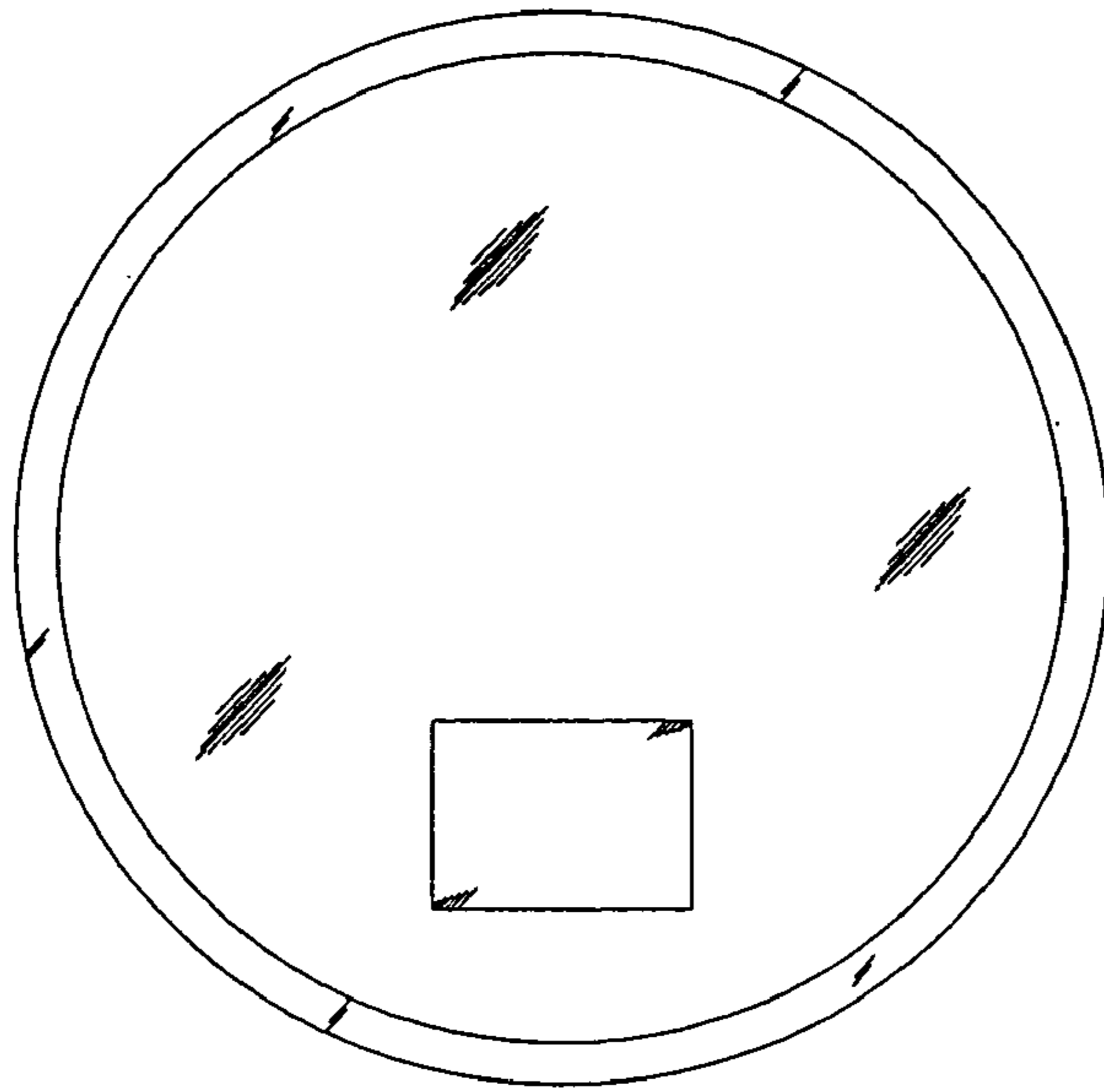


Fig. 2.



Fig. 3.



Fig. 4.