



US00D559559S

(12) **United States Design Patent**
Butcher

(10) **Patent No.:** **US D559,559 S**

(45) **Date of Patent:** **** Jan. 15, 2008**

(54) **IMAGE DISPLAY DEVICE**

(76) **Inventor:** **Gleeston Butcher**, 950 Briar Hill Avenue, Ontario, Toronto (CA) M6B 1M2

(**) **Term:** **14 Years**

(21) **Appl. No.:** **29/254,910**

(22) **Filed:** **Mar. 1, 2006**

(51) **LOC (8) Cl.** **06-04**

(52) **U.S. Cl.** **D6/309**

(58) **Field of Classification Search** D6/300-314, D6/469; D10/2, 15, 40; D14/375; 40/700, 40/765, 735, 780, 760, 152, 152.1, 154-157
See application file for complete search history.

(56) **References Cited**

U.S. PATENT DOCUMENTS

D129,998 S *	10/1941	Lamothe	D10/2
4,014,122 A	3/1977	Woods	40/358
D259,184 S *	5/1981	Francis et al.	D10/15
D304,533 S *	11/1989	Campbell	D6/469
D326,281 S	5/1992	Funazaki	D19/96
D329,609 S *	9/1992	Wolff	D10/2
5,222,315 A *	6/1993	Lovison	40/765
D370,355 S *	6/1996	Kenney	D6/314
D392,110 S	3/1998	Tsui	D6/309

D480,222 S	10/2003	Lee	D6/300
D511,110 S *	11/2005	Rodela	D10/40
D524,312 S *	7/2006	Young	D14/375

* cited by examiner

Primary Examiner—Caron D. Veynar
Assistant Examiner—Sydney R. Buffalow
(74) *Attorney, Agent, or Firm*—Vidas, Arrett & Steinkraus

(57) **CLAIM**

The ornamental design for an image display device, as shown.

DESCRIPTION

FIG. 1 is an exploded perspective view of an image display device showing my new design;

FIG. 2 is a front perspective view thereof;

FIG. 3 is a rear perspective view thereof;

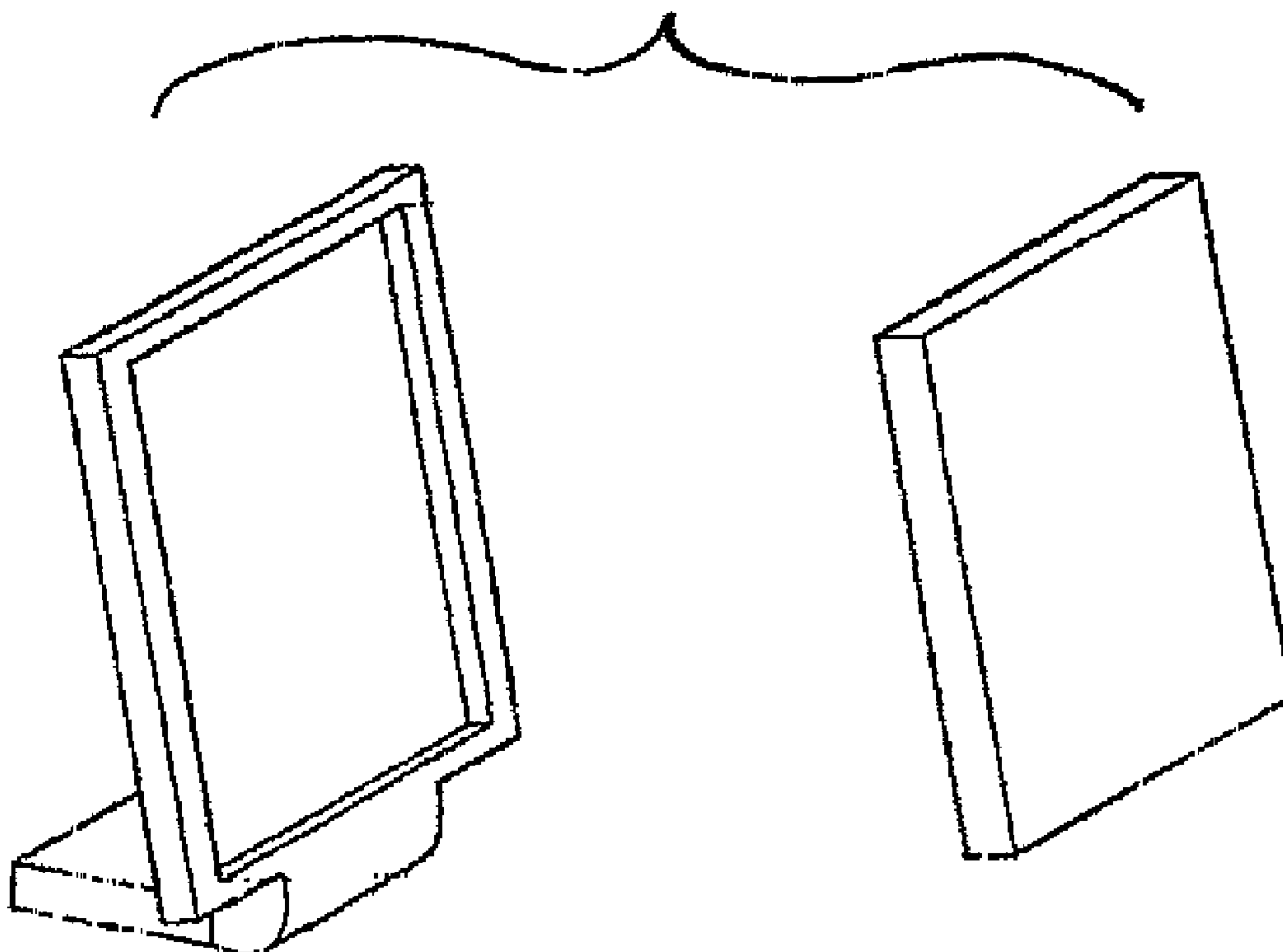
FIG. 4 is a front view thereof;

FIG. 5 is a rear view thereof; and,

FIG. 6 is a side view.

The design is the shape and configuration of an image display device having a generally cylindrical body and an attachable backing portion.

1 Claim, 1 Drawing Sheet



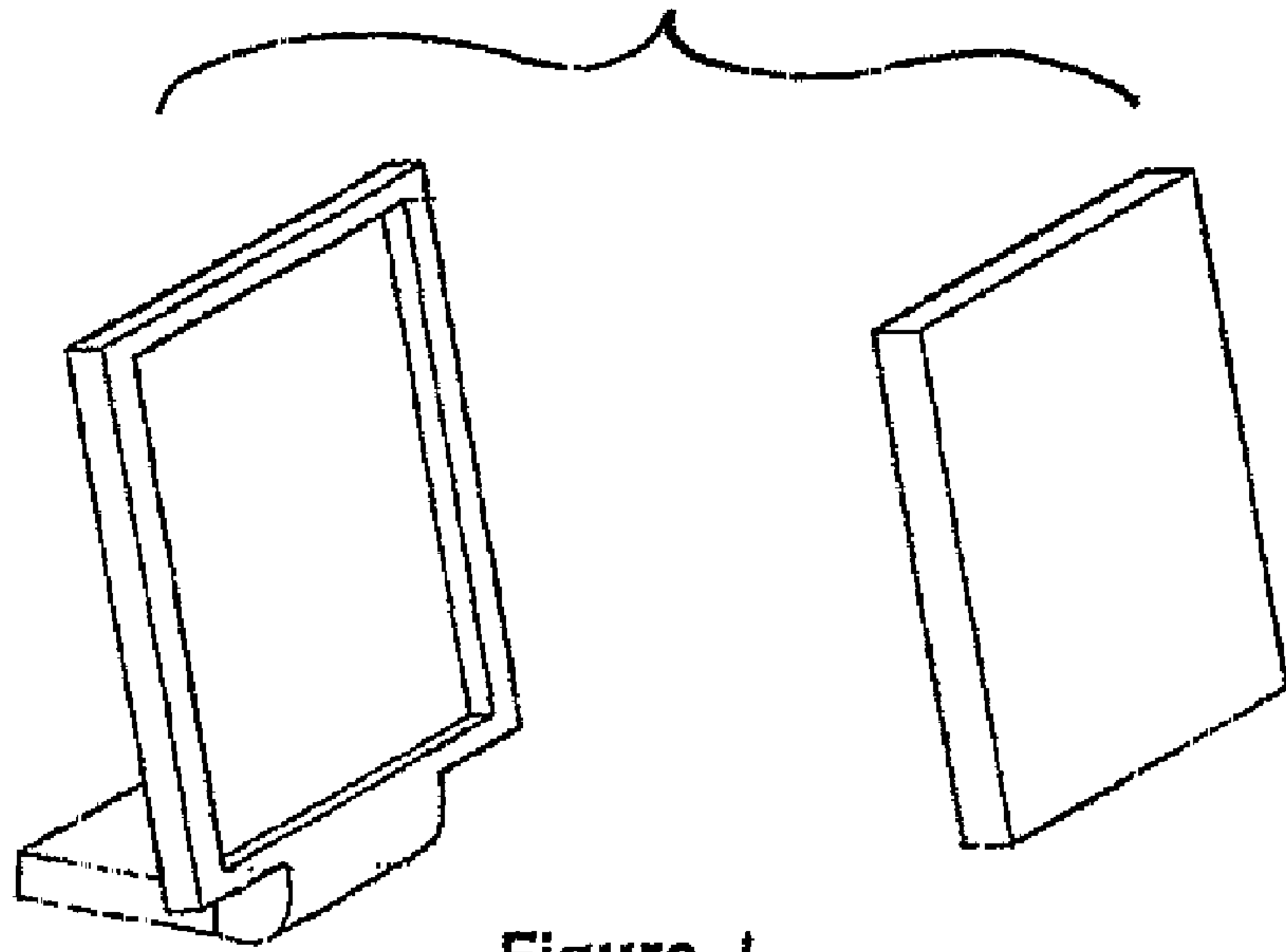


Figure 1

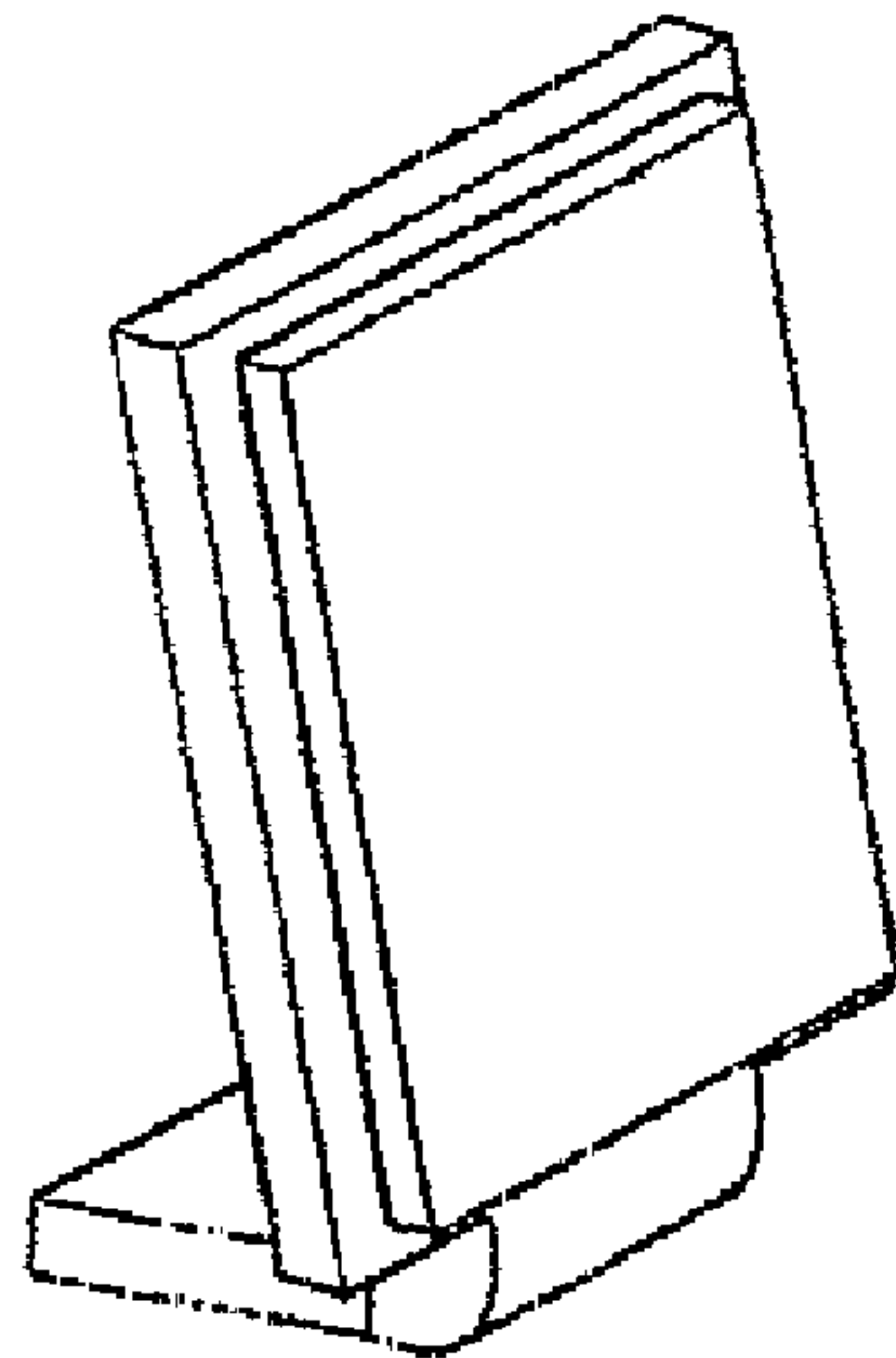


Figure 2

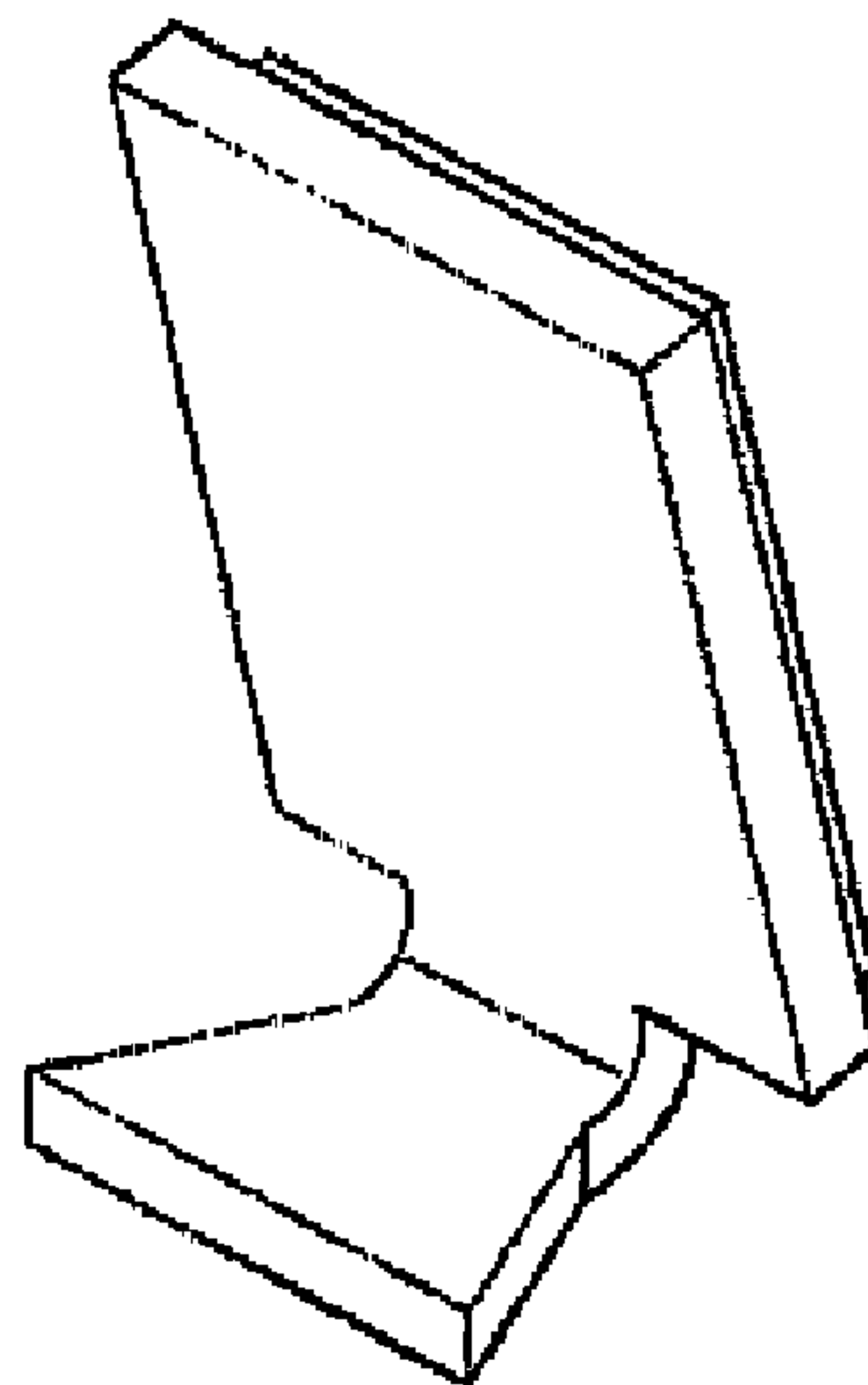


Figure 3

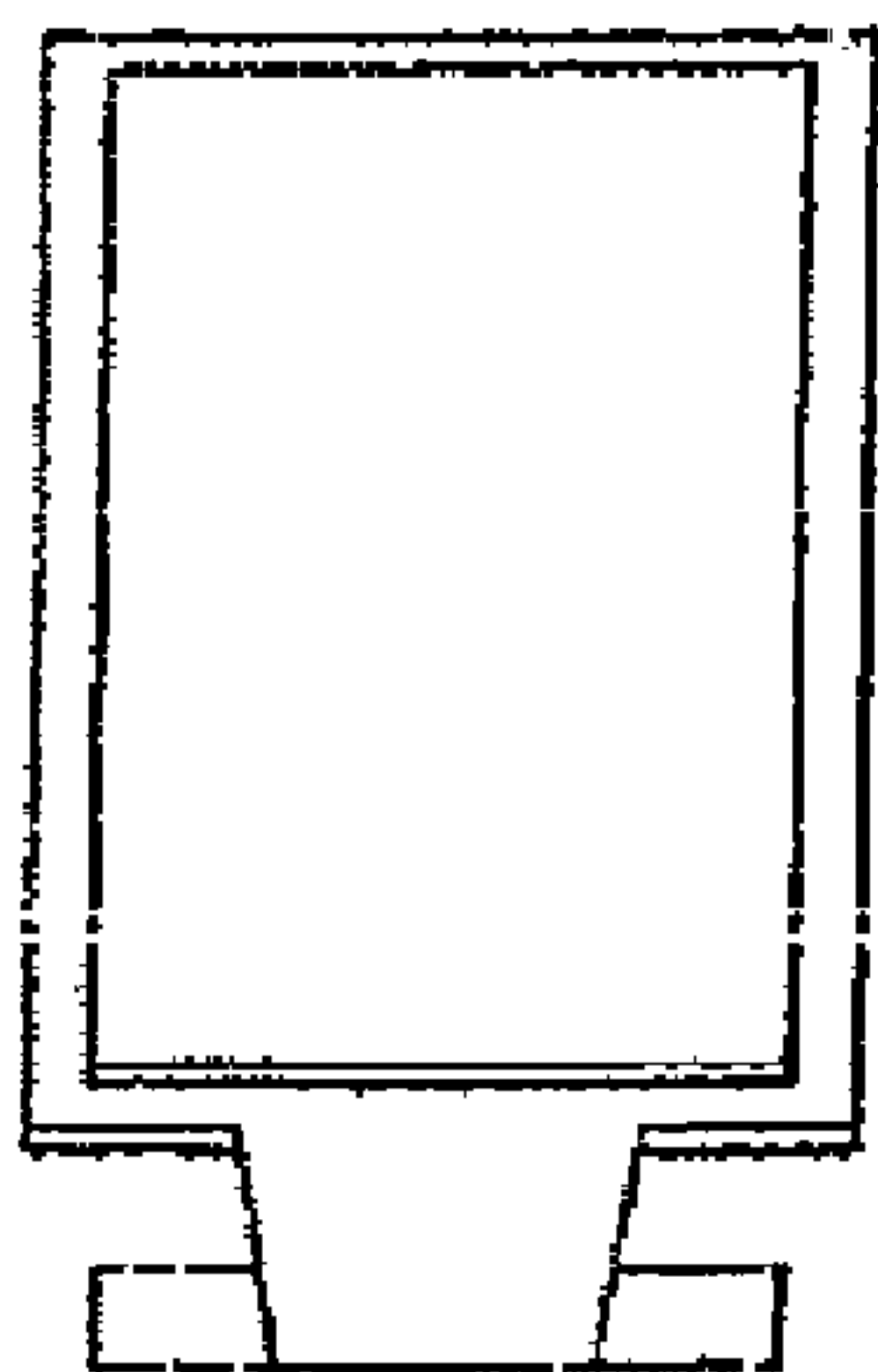


Figure 4

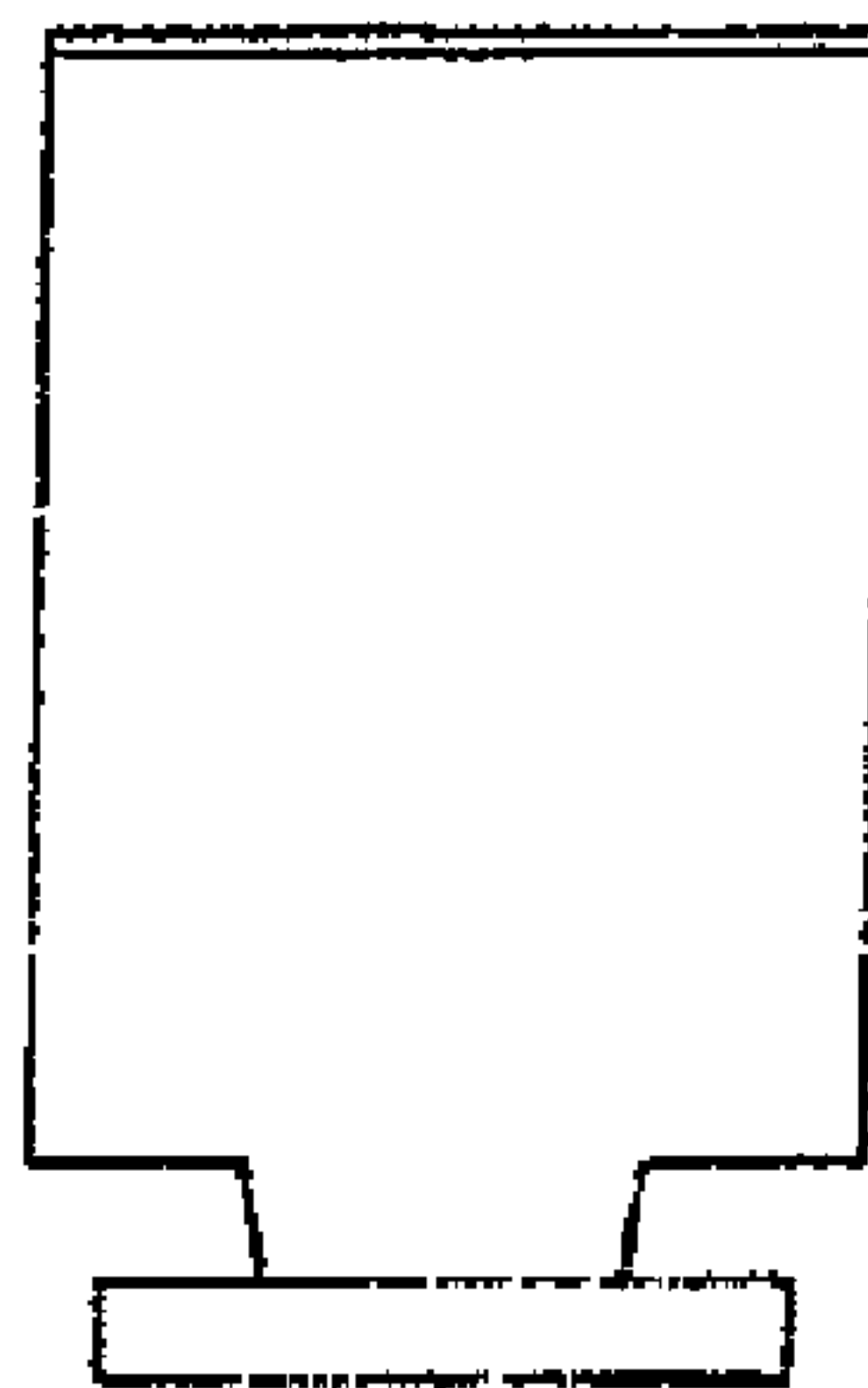


Figure 5



Figure 6