



US00D559556S

(12) **United States Design Patent**  
**Puig et al.**

(10) **Patent No.:** **US D559,556 S**  
(45) **Date of Patent:** **\*\* Jan. 15, 2008**

(54) **PICTURE FRAME WITH FLOATING PICTURE**

2004/0216345 A1\* 11/2004 Wadusky ..... 40/768

\* cited by examiner

(75) Inventors: **Richard Gerald Puig**, Roswell, GA (US); **Rebecca Jane Puig**, Roswell, GA (US)

*Primary Examiner*—Robert M. Spear

*Assistant Examiner*—George D Kirschbaum

(74) *Attorney, Agent, or Firm*—Hope Baldauff Hartman, LLC

(73) Assignee: **Sugarboo Designs, Inc.**, Roswell, GA (US)

(57) **CLAIM**

(\*\*) Term: **14 Years**

The ornamental design for a picture frame with floating picture, as shown and described.

(21) Appl. No.: **29/261,406**

(22) Filed: **Oct. 19, 2005**

**DESCRIPTION**

(51) **LOC (8) Cl.** ..... **06-07**

(52) **U.S. Cl.** ..... **D6/300**

(58) **Field of Classification Search** ..... D6/300–314;  
40/700, 711, 721, 714–717, 725, 722, 754,  
40/755, 790

See application file for complete search history.

FIG. 1 is a front perspective view of a picture frame showing a new ornamental design for displaying a picture, the picture frame having a picture projecting from a rear wall of a recessed portion of the picture frame and suspended between side, top, and bottom walls of the recessed portion of the picture frame;

FIG. 2 is a rear perspective view thereof showing the recessed portion of the picture frame;

FIG. 3 is a front view thereof;

FIG. 4 is a rear view thereof;

FIG. 5 is a cross-sectional view of the picture frame along line 5–5 of FIG. 4, showing the picture fixed in place such that it is suspended between the top, bottom, two sides, and rear surfaces of the recessed portion of the picture frame; and,

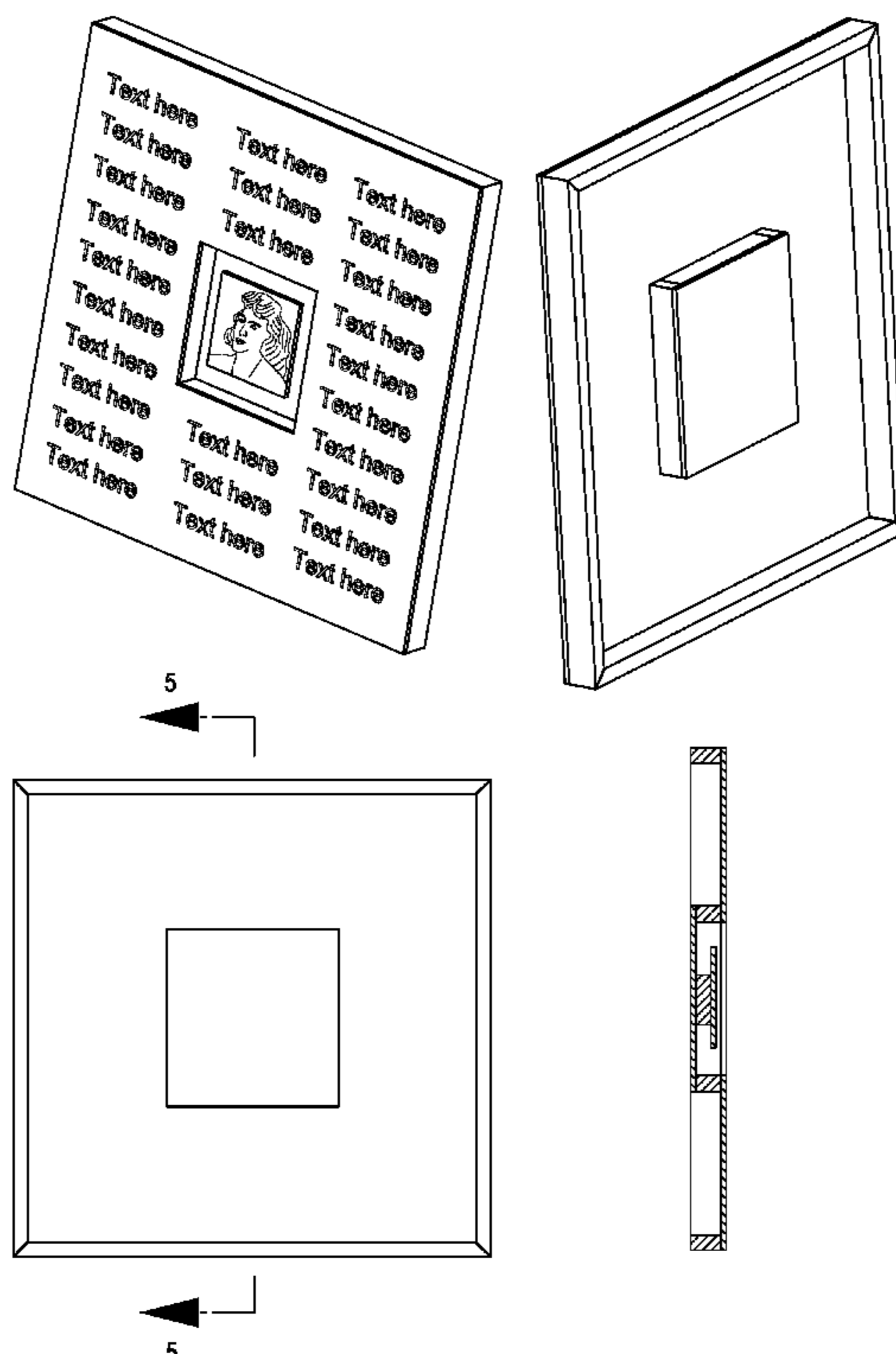
FIG. 6 is an exploded rear perspective view thereof.

(56) **References Cited**

**U.S. PATENT DOCUMENTS**

4,879,824	A	*	11/1989	Galloway	.....	40/763
D415,619	S	*	10/1999	Gandy	.....	D6/301
D445,262	S	*	7/2001	Rowan	.....	D6/300
D464,210	S	*	10/2002	Barr	.....	D6/407
D481,544	S	*	11/2003	Di Leggerini	.....	D6/300
D494,500	S	*	8/2004	Brown et al.	.....	D11/133
D513,887	S	*	1/2006	Henry et al.	.....	D6/311
D517,329	S	*	3/2006	Ortiz	.....	D6/300

**1 Claim, 6 Drawing Sheets**



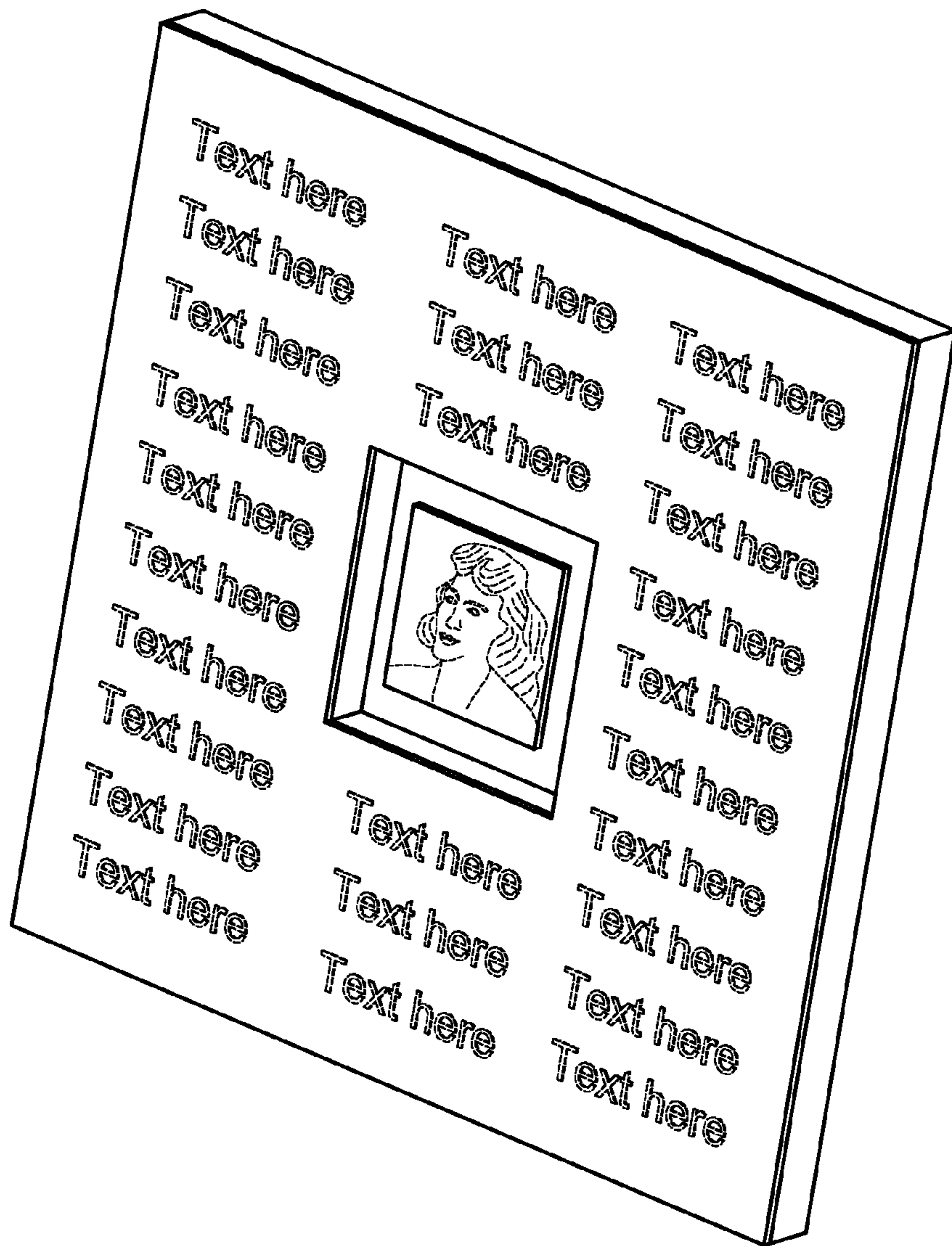


FIG. 1

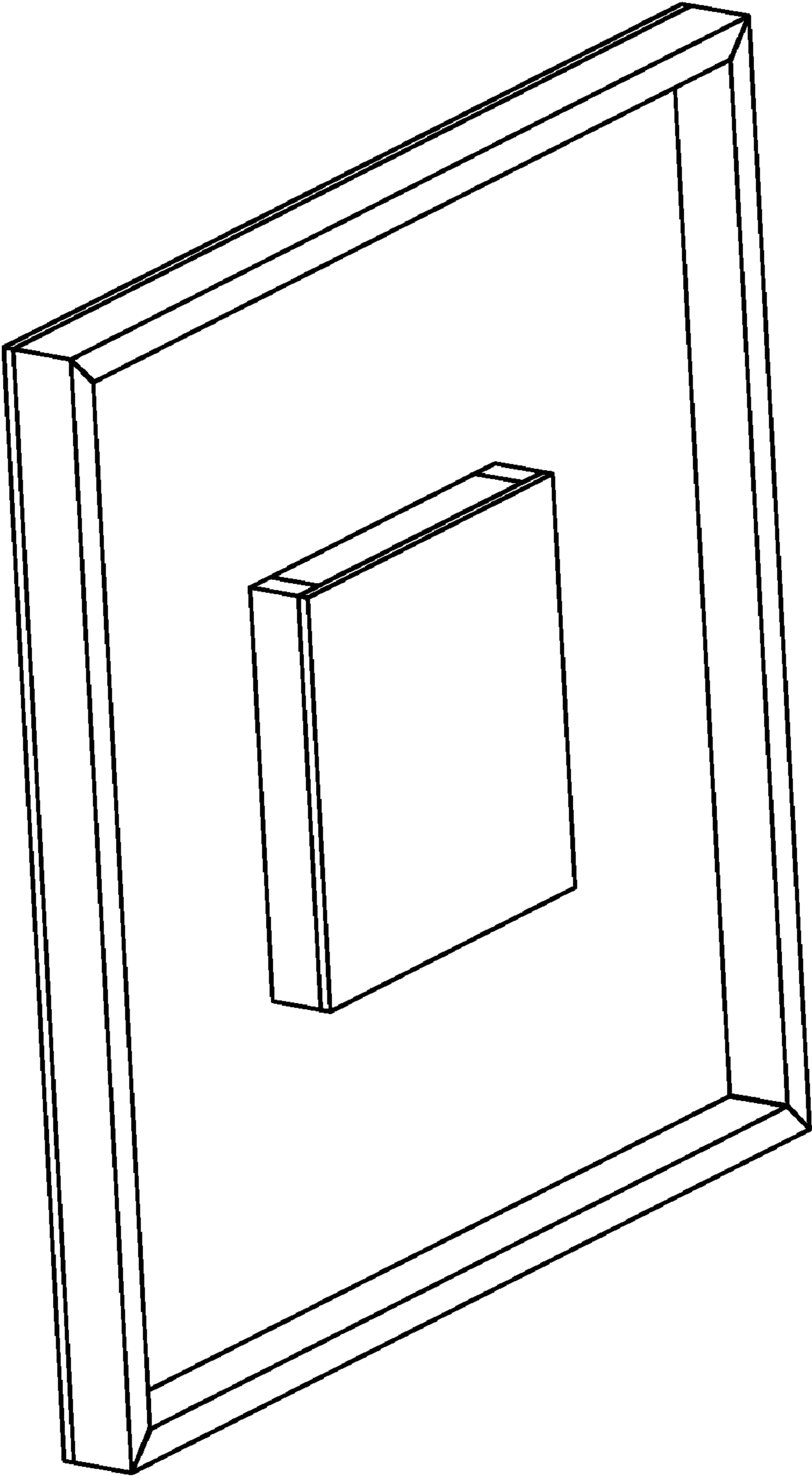


FIG. 2

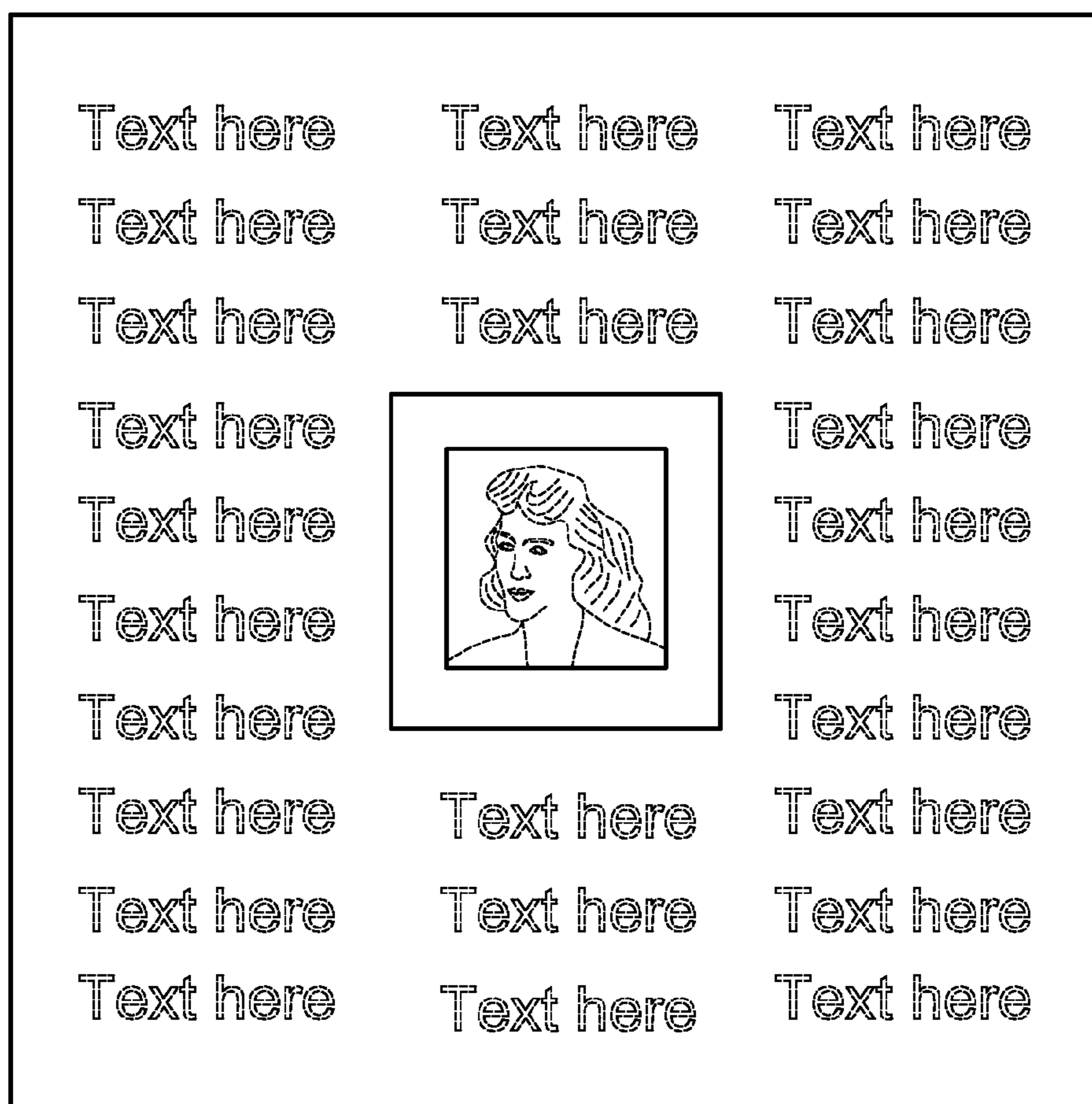


FIG. 3

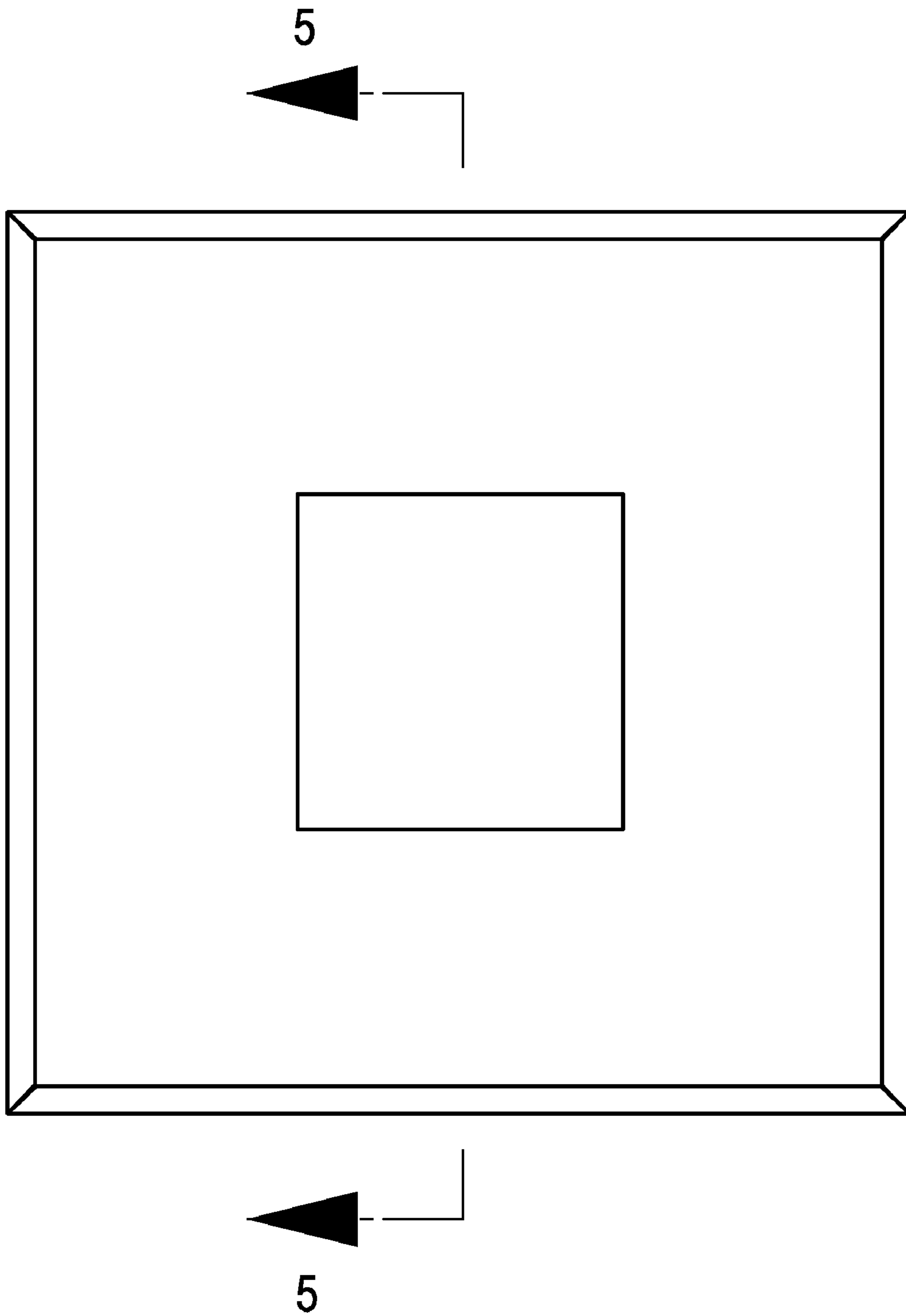


FIG. 4

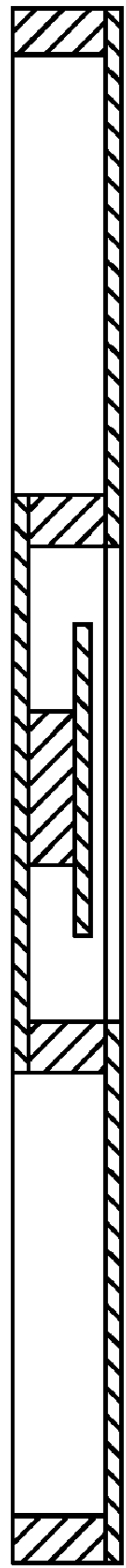


FIG. 5



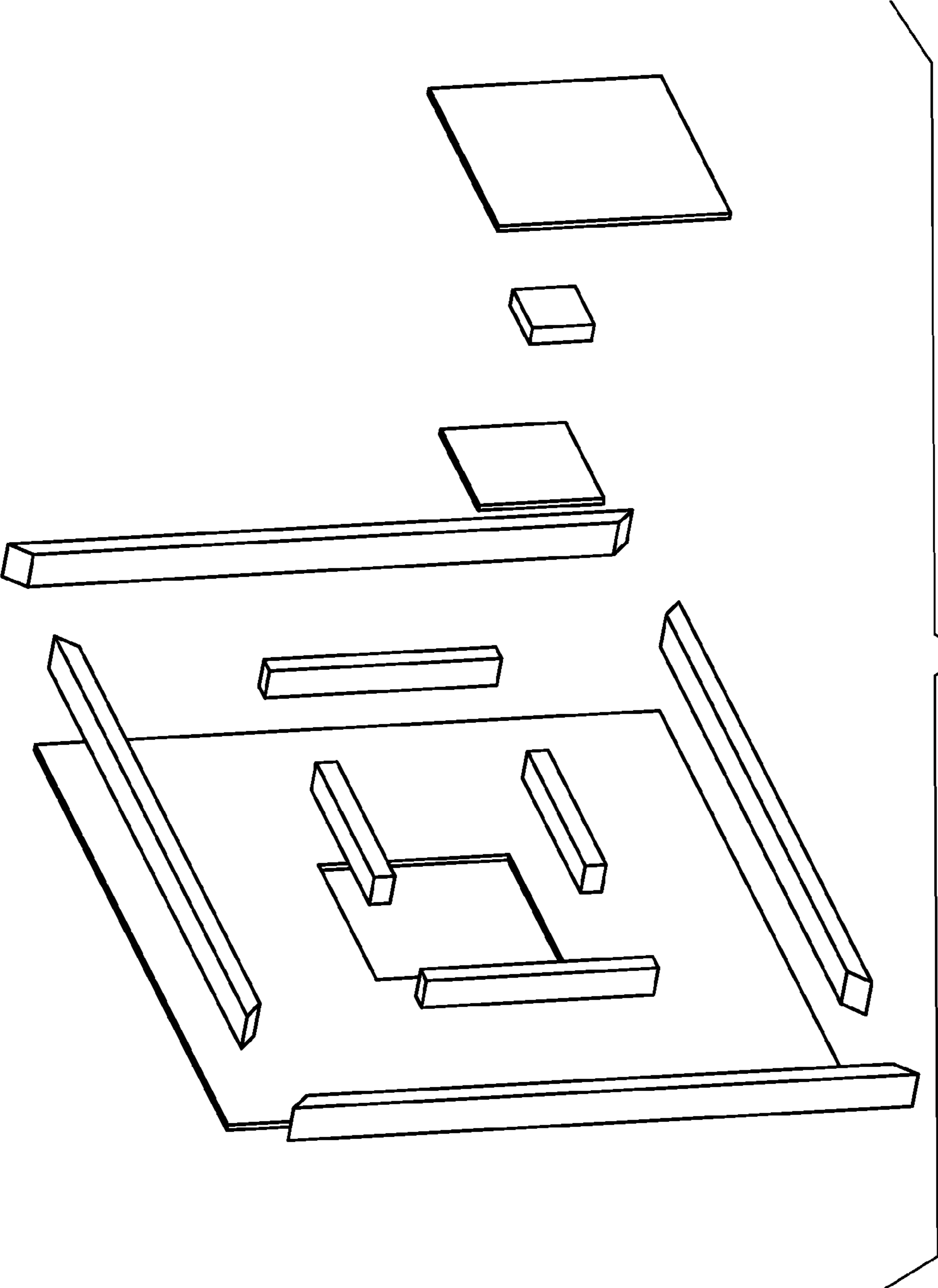


FIG. 6