



US00D559555S

(12) **United States Design Patent** (10) **Patent No.:** **US D559,555 S**
Mischel, Jr. et al. (45) **Date of Patent:** **** Jan. 15, 2008**

(54) **BACKLIT MIRROR WITH TV**
 (75) Inventors: **James Vernon Mischel, Jr.**, Edmonds, WA (US); **Patrick Daniel Erickson**, Seattle, WA (US); **James Vernon Mischel, Sr.**, Lynnwood, WA (US)
 (73) Assignee: **Electric Mirror, L.L.C.**, Edmonds, WA (US)

(**) Term: **14 Years**
 (21) Appl. No.: **29/258,449**
 (22) Filed: **Apr. 22, 2006**

(51) **LOC (8) Cl.** **06-07**
 (52) **U.S. Cl.** **D6/300; D14/129**
 (58) **Field of Classification Search** D6/300-314, D6/444; D20/10; 40/700, 735, 738, 744, 40/798, 769; D28/64.1; 250/492.23; D19/52; D14/129; D11/132
 See application file for complete search history.

(56) **References Cited**
 U.S. PATENT DOCUMENTS

D114,451 S	4/1939	Lazarus	
D276,397 S *	11/1984	Pfanstiehl	D6/300
4,777,746 A *	10/1988	Brooks	40/773
D327,370 S *	6/1992	Mittelstrass	D6/301
5,205,059 A *	4/1993	Doll	40/718
D339,921 S	10/1993	Nourse	
5,279,880 A *	1/1994	Cohart	428/138
D345,379 S	3/1994	Chan	
D383,908 S *	9/1997	Waszkiewicz, III	D6/300
D384,304 S *	9/1997	Sheldon	D11/132
D390,010 S *	2/1998	Fry	D6/302
D405,473 S	2/1999	Tikhonski et al.	

6,119,386 A *	9/2000	Henry et al.	40/769
D431,909 S *	10/2000	Henry et al.	D6/300
D433,573 S	11/2000	Rochon	
D434,571 S *	12/2000	Copeland	D6/314
D458,459 S *	6/2002	Gottwald	D6/300
6,792,710 B2 *	9/2004	Whitlow et al.	40/768
2003/0084600 A1 *	5/2003	Peterson	40/768
2005/0005494 A1 *	1/2005	Way	40/714
2006/0207145 A1 *	9/2006	Kim et al.	40/700

* cited by examiner

Primary Examiner—Caron D. Veynar
Assistant Examiner—Sydney R. Buffalow
 (74) *Attorney, Agent, or Firm*—Christensen O'Connor Johnson Kindness PLLC

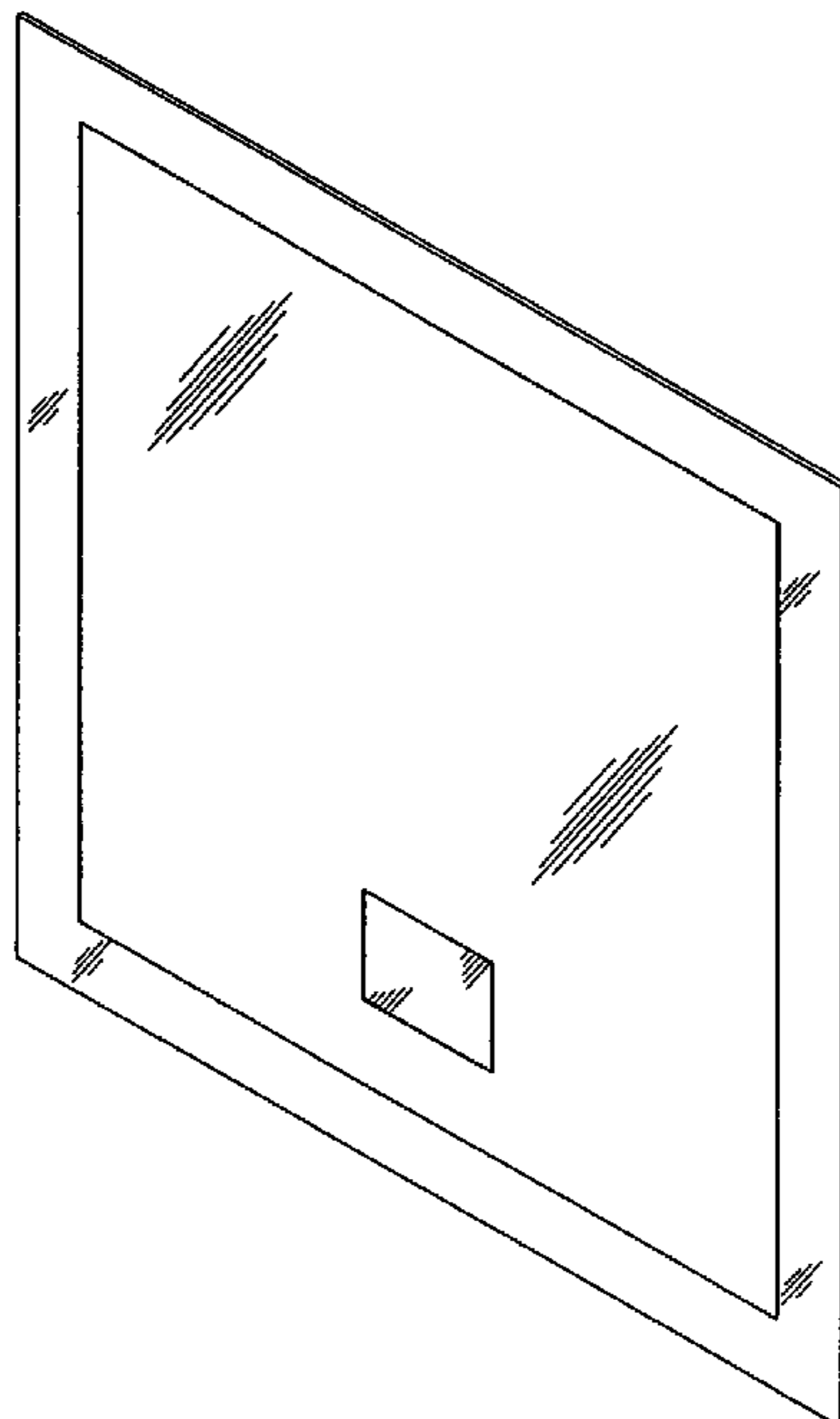
(57) **CLAIM**

The ornamental design for a backlit mirror with TV, as shown and described.

DESCRIPTION

FIG. 1 is a perspective view of a backlit mirror with TV, showing our new design;
 FIG. 2 is a front view and back view thereof;
 FIG. 3 is a left side view and a right side view thereof;
 FIG. 4 is a top view and a bottom view thereof;
 FIG. 5 is a perspective view of a second embodiment of a backlit mirror with TV, showing our new design;
 FIG. 6 is a front view thereof;
 FIG. 7 is a left side view and a right side view thereof;
 FIG. 8 is a top view and a bottom view thereof; and,
 FIG. 9 is a back view thereof.

1 Claim, 5 Drawing Sheets



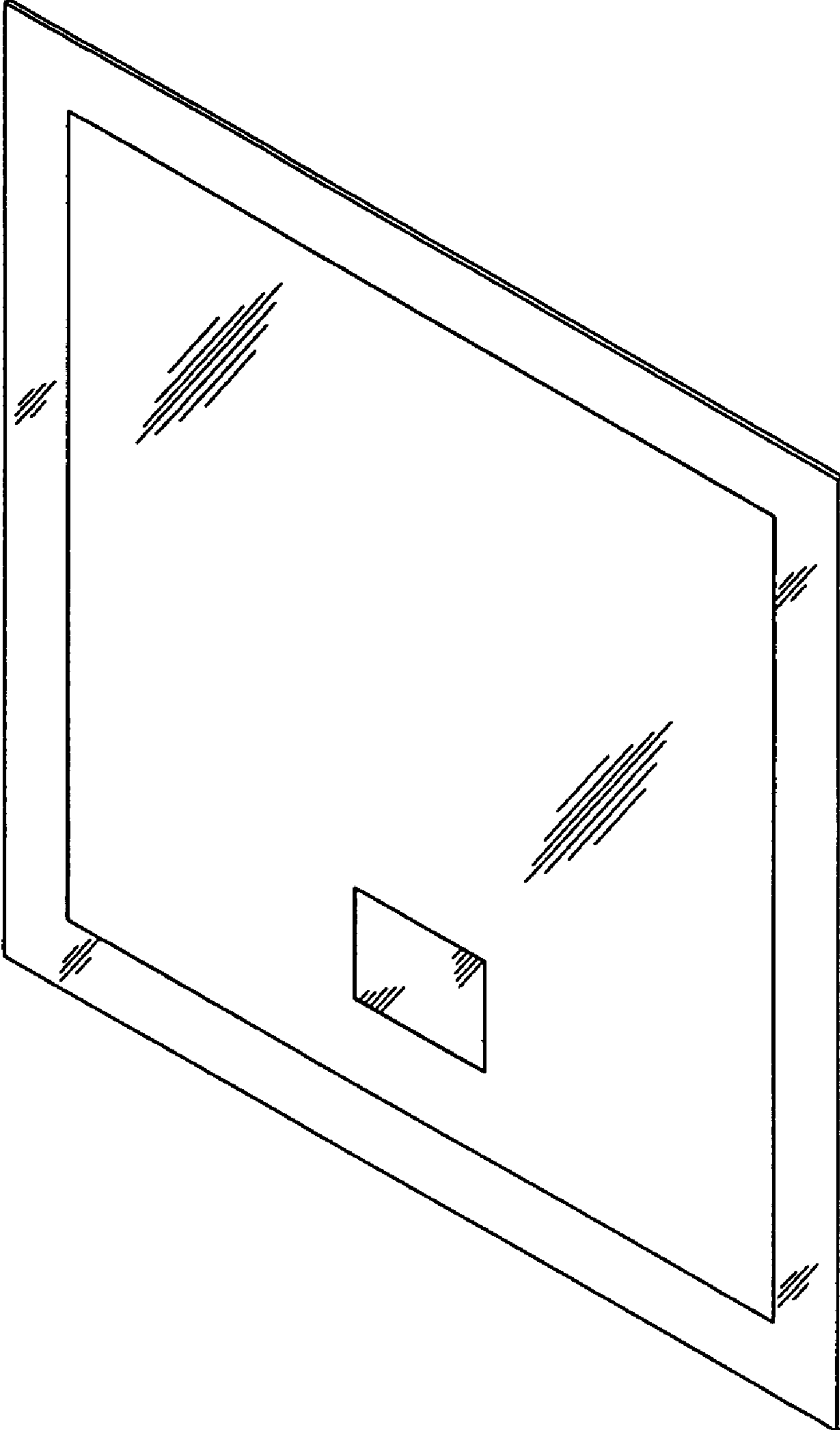


Fig. 1

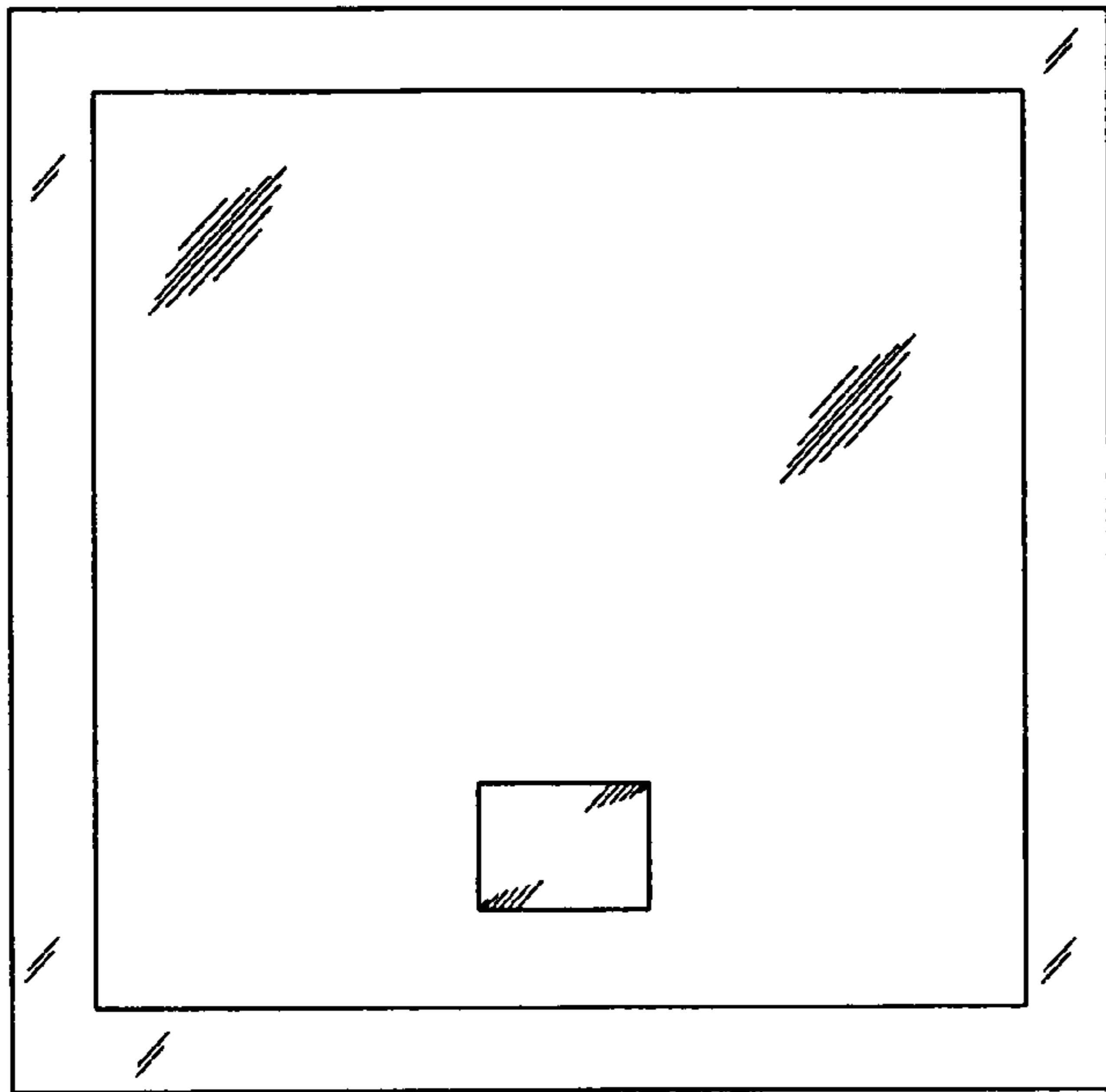


Fig. 2.



Fig. 3.



Fig. 4.

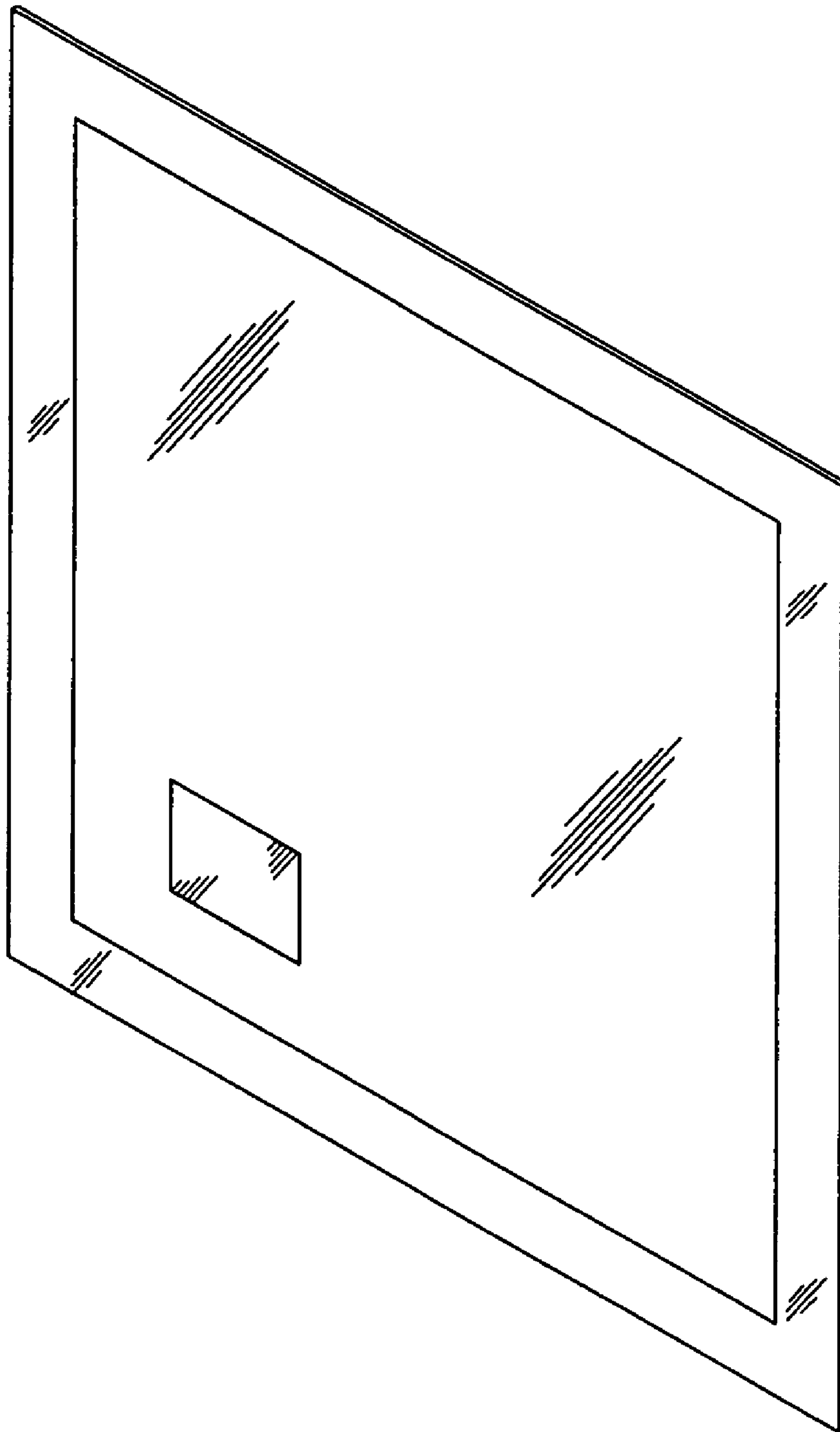


Fig. 5

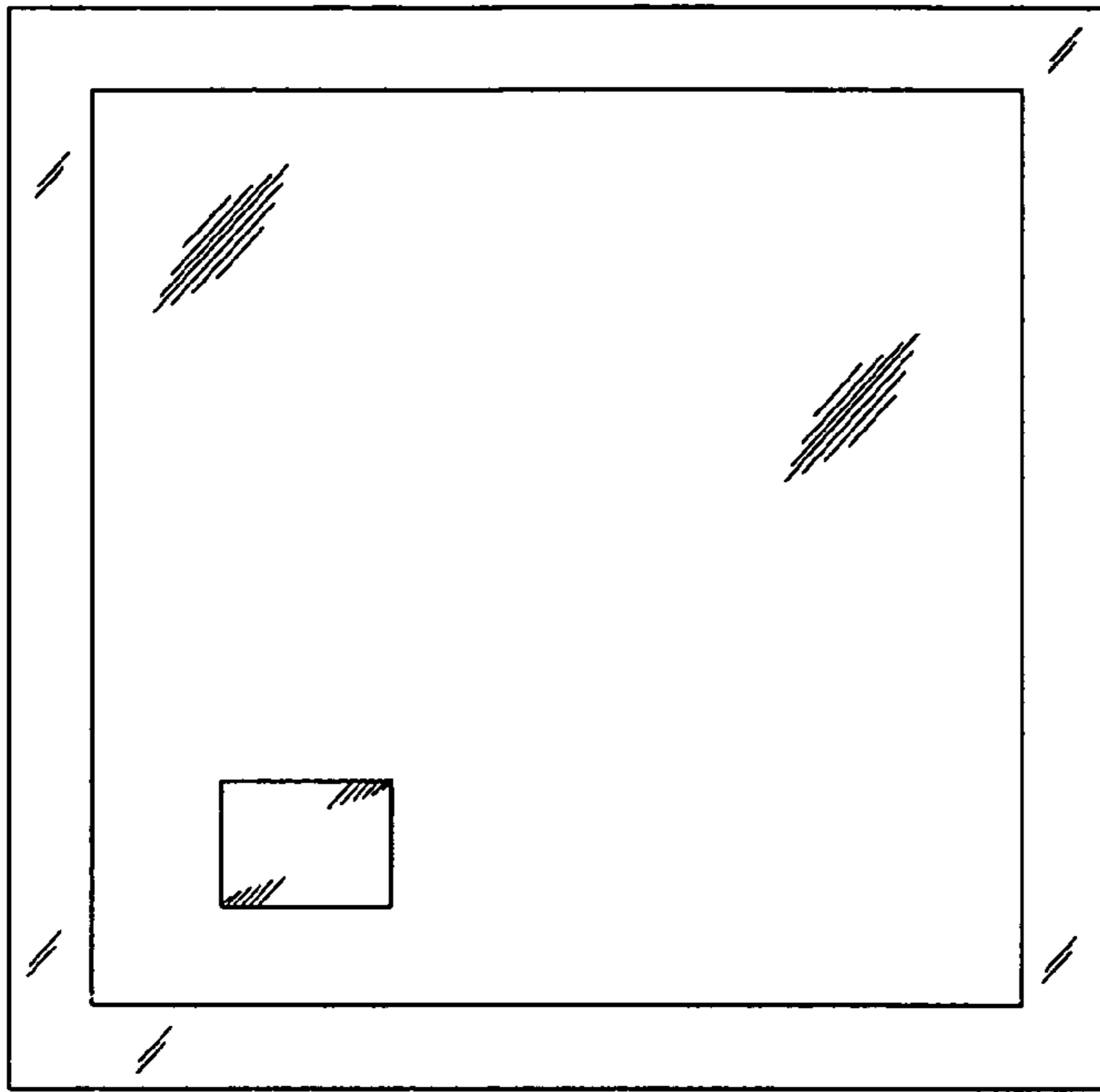


Fig. 6.



Fig. 7.



Fig. 8.

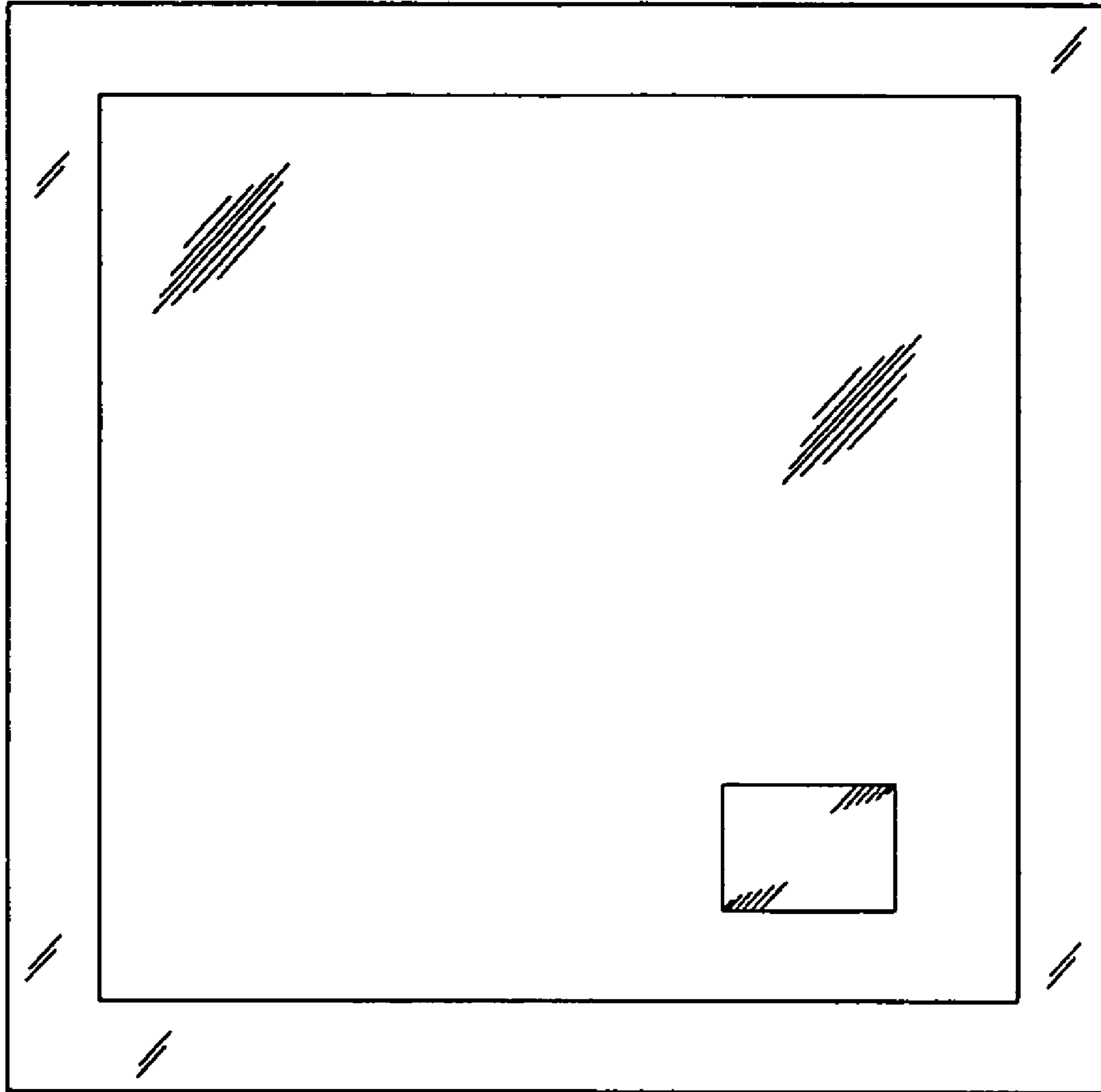


Fig. 9.