



US00D559554S

(12) **United States Design Patent**
Jones

(10) **Patent No.:** **US D559,554 S**
(45) **Date of Patent:** **** Jan. 15, 2008**

(54) **STAR FRAME**

(76) **Inventor:** **Stephen A. Jones**, Keystone Contract Services, 300 S. Stratford Rd., Winston-Salem, NC (US) 27103

(**) **Term:** **14 Years**

(21) **Appl. No.:** **29/243,264**

(22) **Filed:** **Nov. 23, 2005**

(51) **LOC (8) Cl.** **10-05**

(52) **U.S. Cl.** **D6/300**

(58) **Field of Classification Search** D6/300-314, D6/486; 40/700, 711, 721, 714-717, 725, 40/722, 754, 755, 790; D21/386, 372, 38, D21/490, 491; D11/131; D19/59; D26/6; D99/99; 434/211, 259; 446/126; D30/160
See application file for complete search history.

(56) **References Cited**

U.S. PATENT DOCUMENTS

D227,001	S	*	5/1973	Dembar	D6/301
3,854,255	A	*	12/1974	Baker	52/81.1
D236,234	S	*	8/1975	Hansen	D26/6
4,008,526	A	*	2/1977	Swett et al.	434/259
4,274,222	A	*	6/1981	Zahn et al.	446/126
D290,428	S	*	6/1987	Johnson	D6/301
4,701,131	A	*	10/1987	Hildebrandt et al.	434/211
5,236,196	A	*	8/1993	Blankenburg et al.	446/87
D367,675	S	*	3/1996	Welch	D19/59
D414,355	S	*	9/1999	Rougie	D6/486

D437,010	S	*	1/2001	Meys	D21/498
D477,441	S	*	7/2003	Willinger et al.	D30/160
D489,494	S	*	5/2004	Silvergate	D30/160
D495,271	S	*	8/2004	Lai	D11/131
6,792,709	B1	*	9/2004	Fine et al.	40/720
D501,694	S	*	2/2005	Cannon	D99/99
D531,229	S	*	10/2006	Vanbeneden	D21/386
2004/0226210	A1	*	11/2004	Kaur	40/725

* cited by examiner

Primary Examiner—Robert M. Spear
Assistant Examiner—George D Kirschbaum

(57) **CLAIM**

The ornamental design for a star frame, as shown and described.

DESCRIPTION

FIG. 1 is a perspective view of the star frame comprising the present invention;

FIG. 2 is a front elevational view thereof;

FIG. 3 is a right side elevational view thereof;

FIG. 4 is a back elevational view thereof;

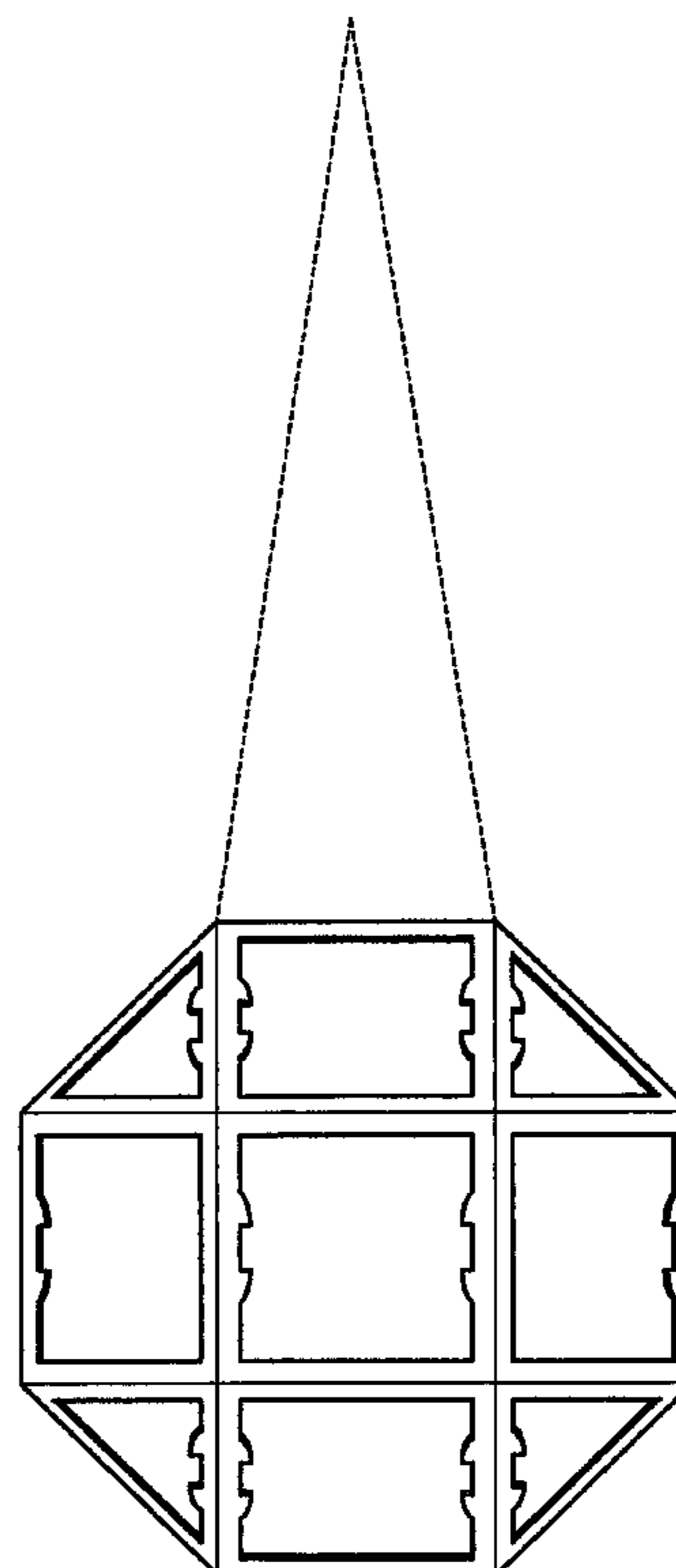
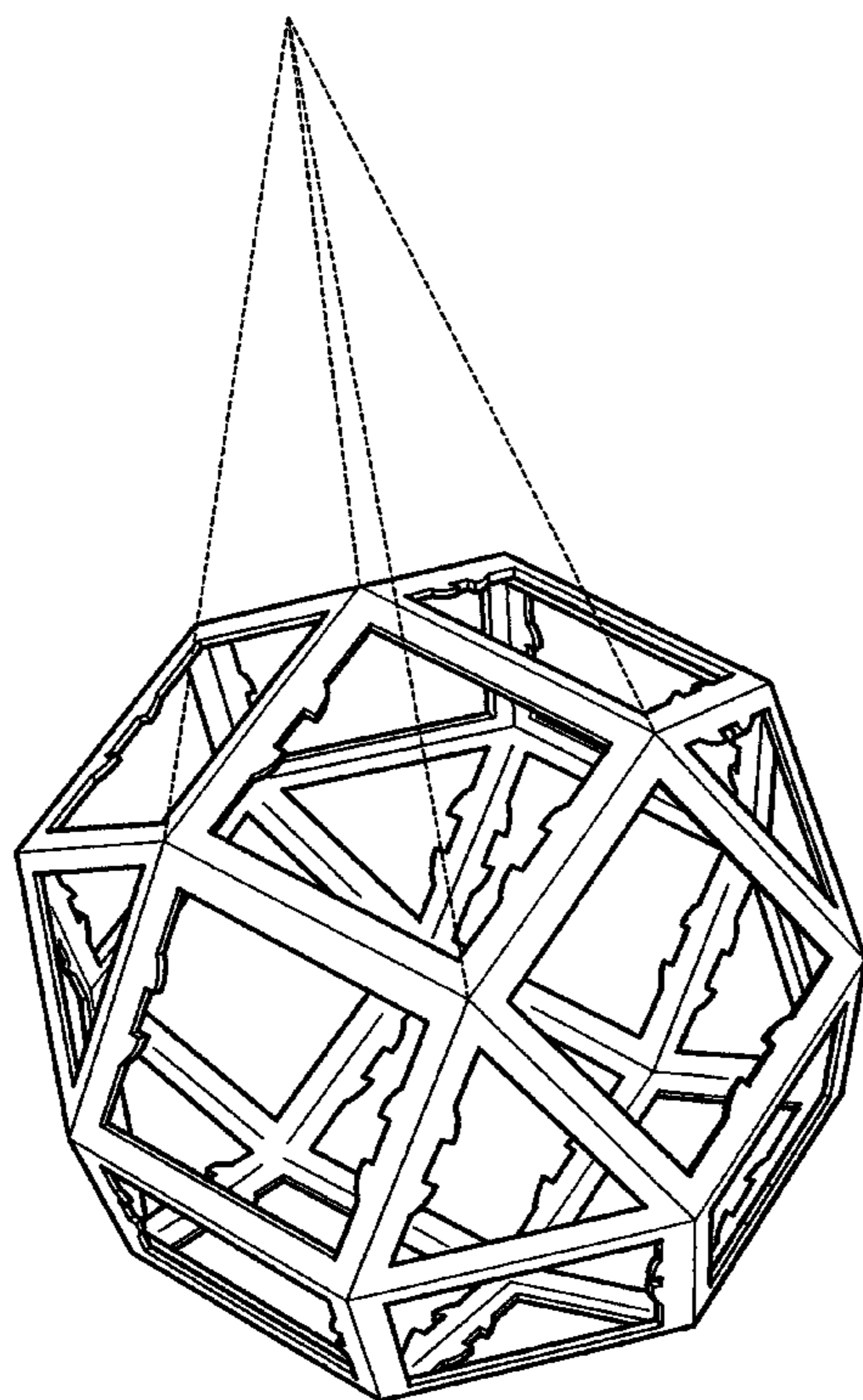
FIG. 5 is a left side elevational view thereof;

FIG. 6 is a top view thereof; and,

FIG. 7 is a bottom view thereof.

The broken lines depicting hanging wires are unclaimed environmental subject matter.

1 Claim, 7 Drawing Sheets



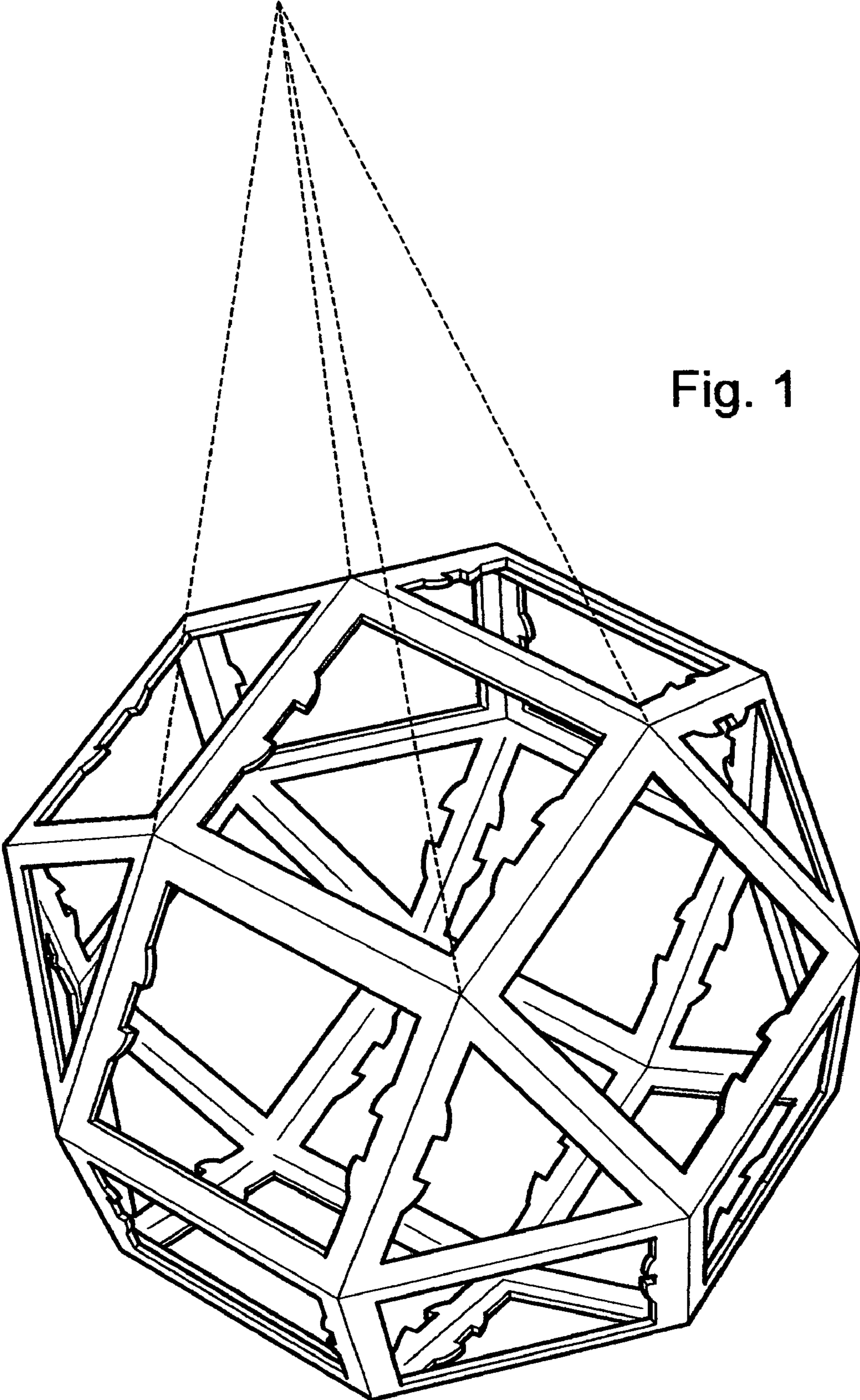


Fig. 1

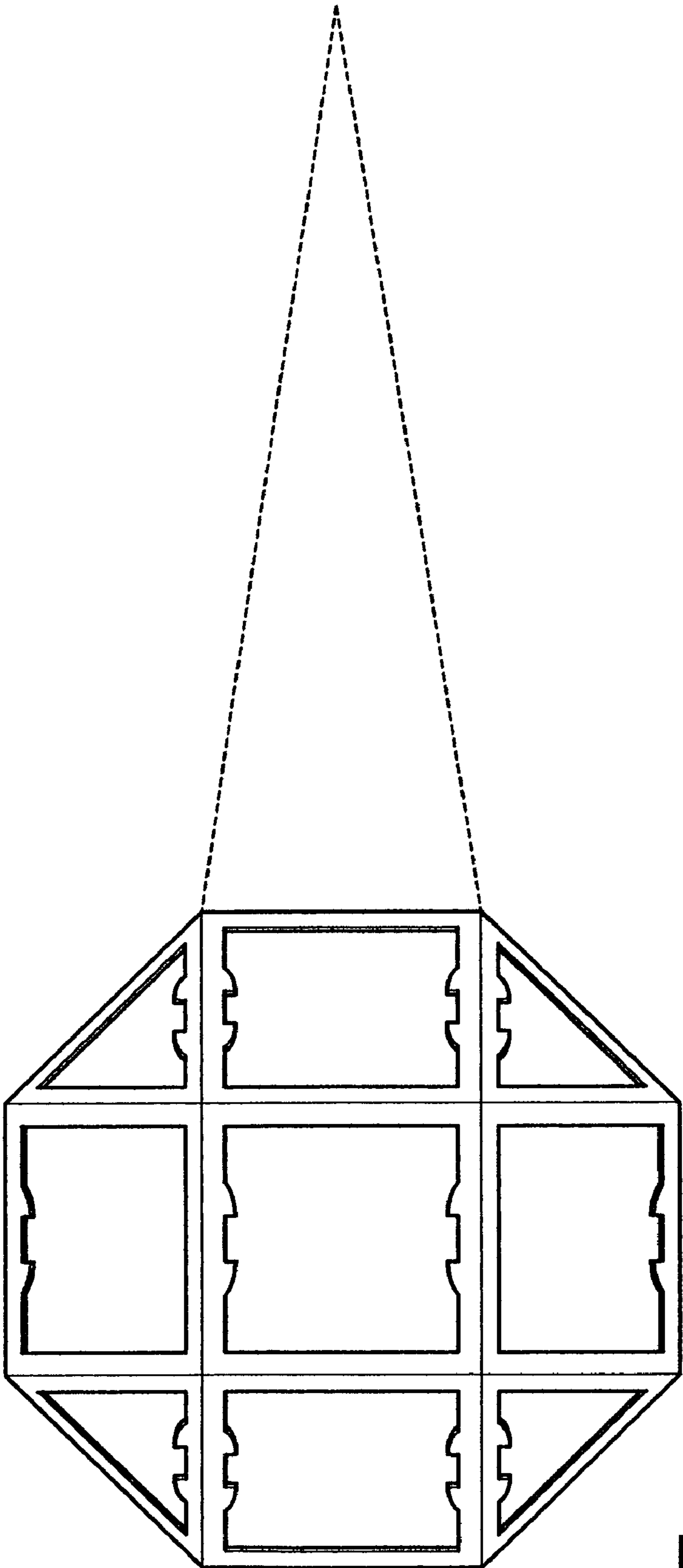


Fig. 2

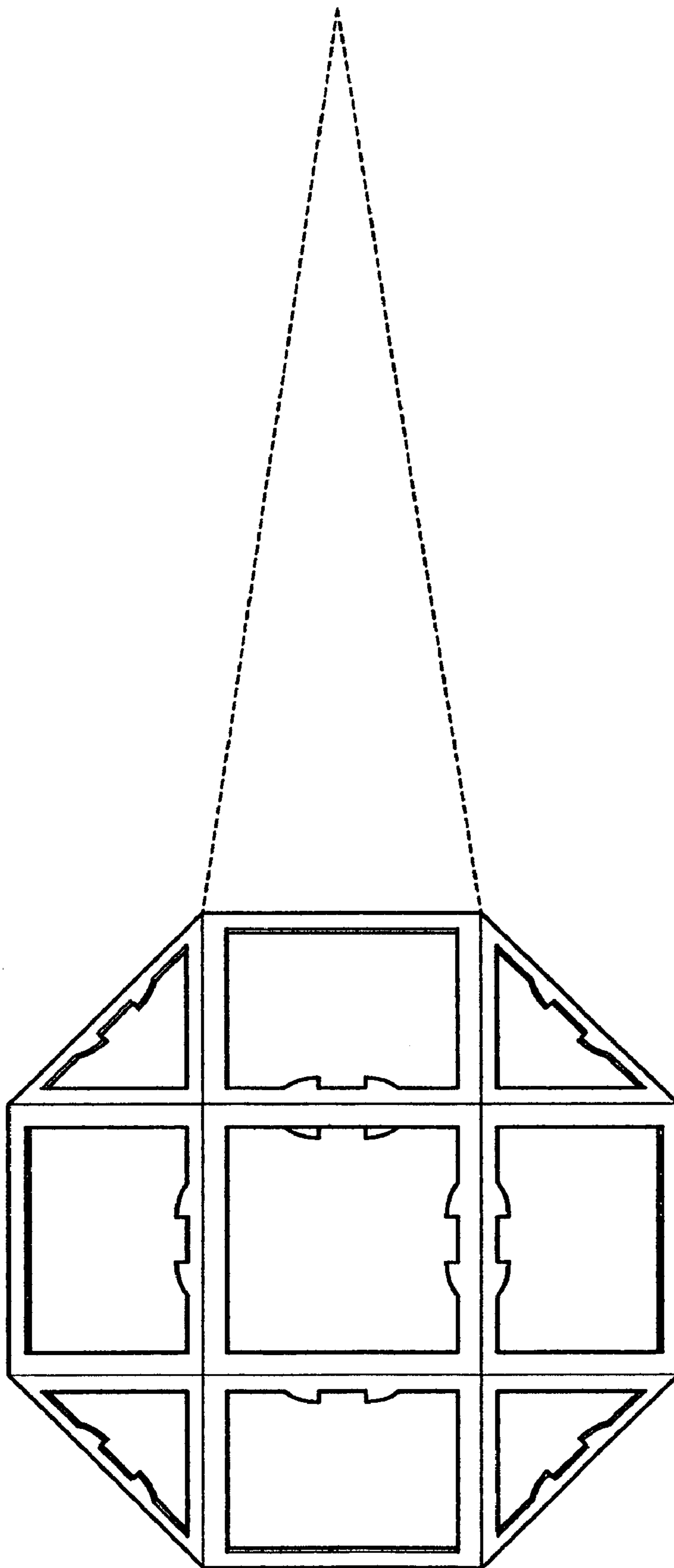


Fig. 3

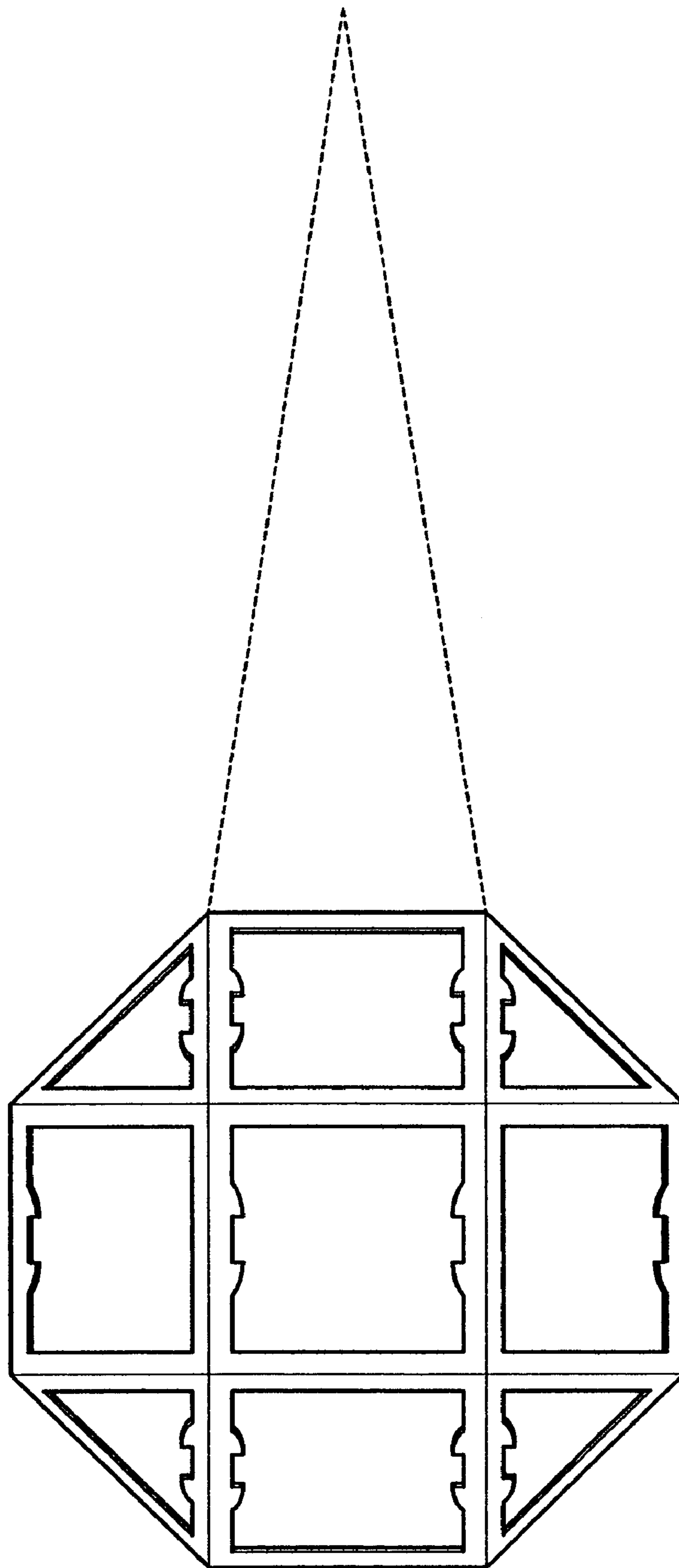


Fig. 4

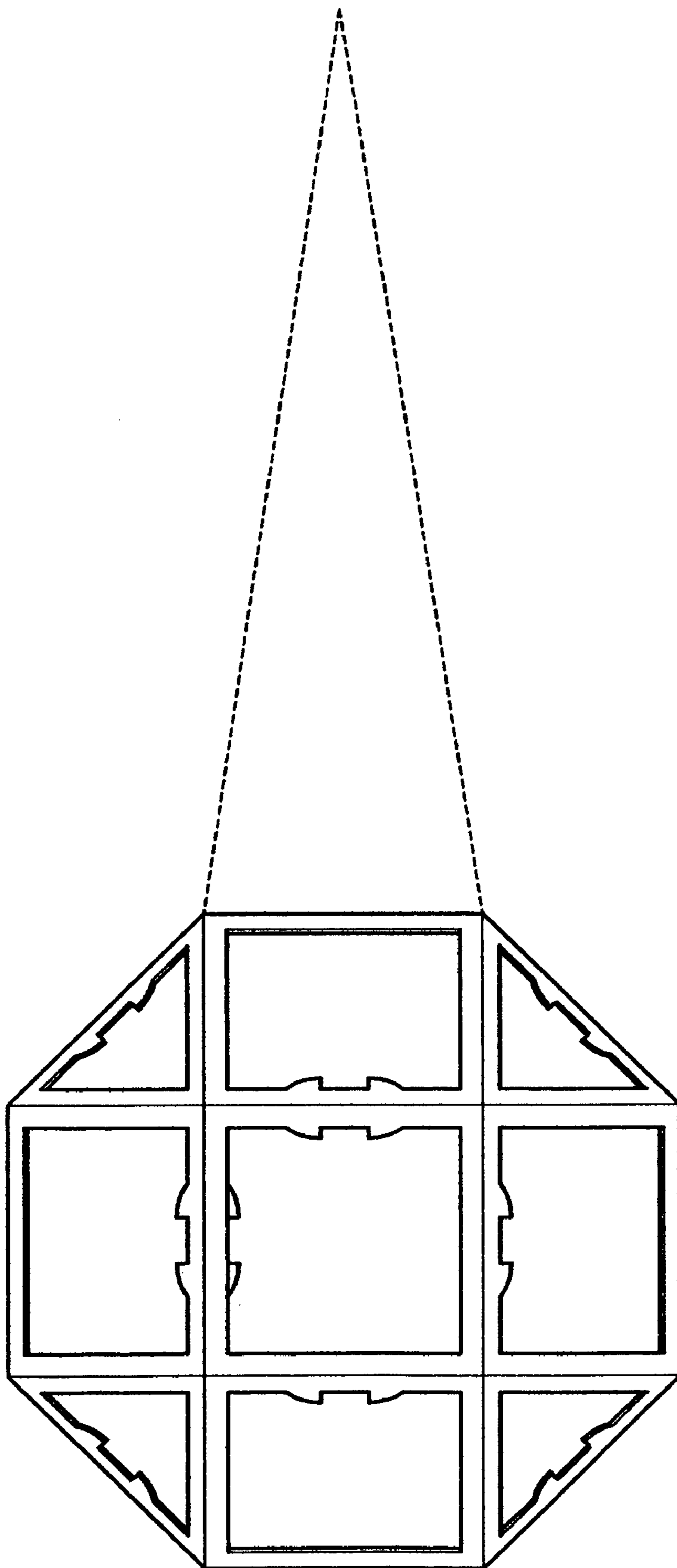


Fig. 5

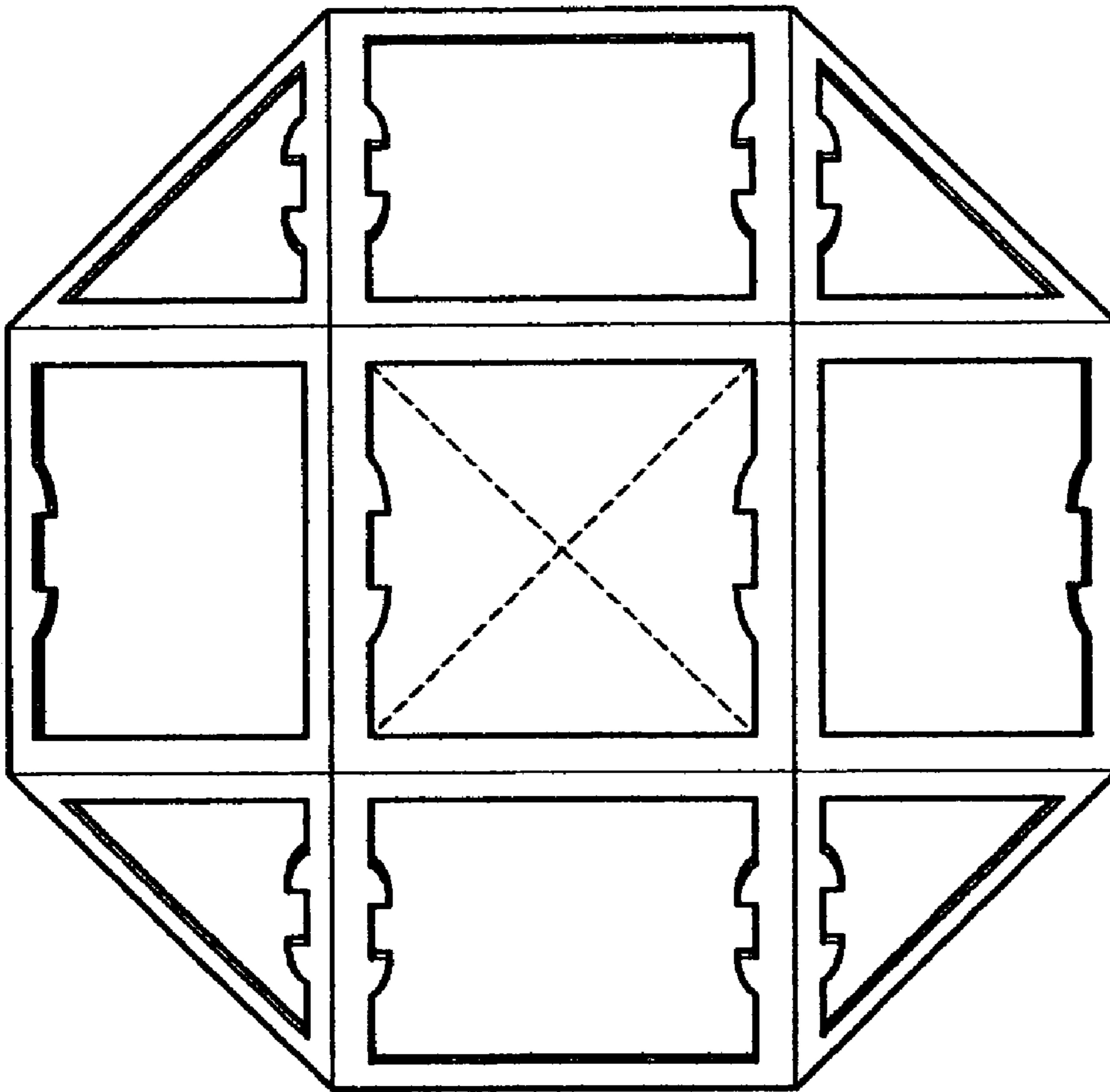


Fig. 6

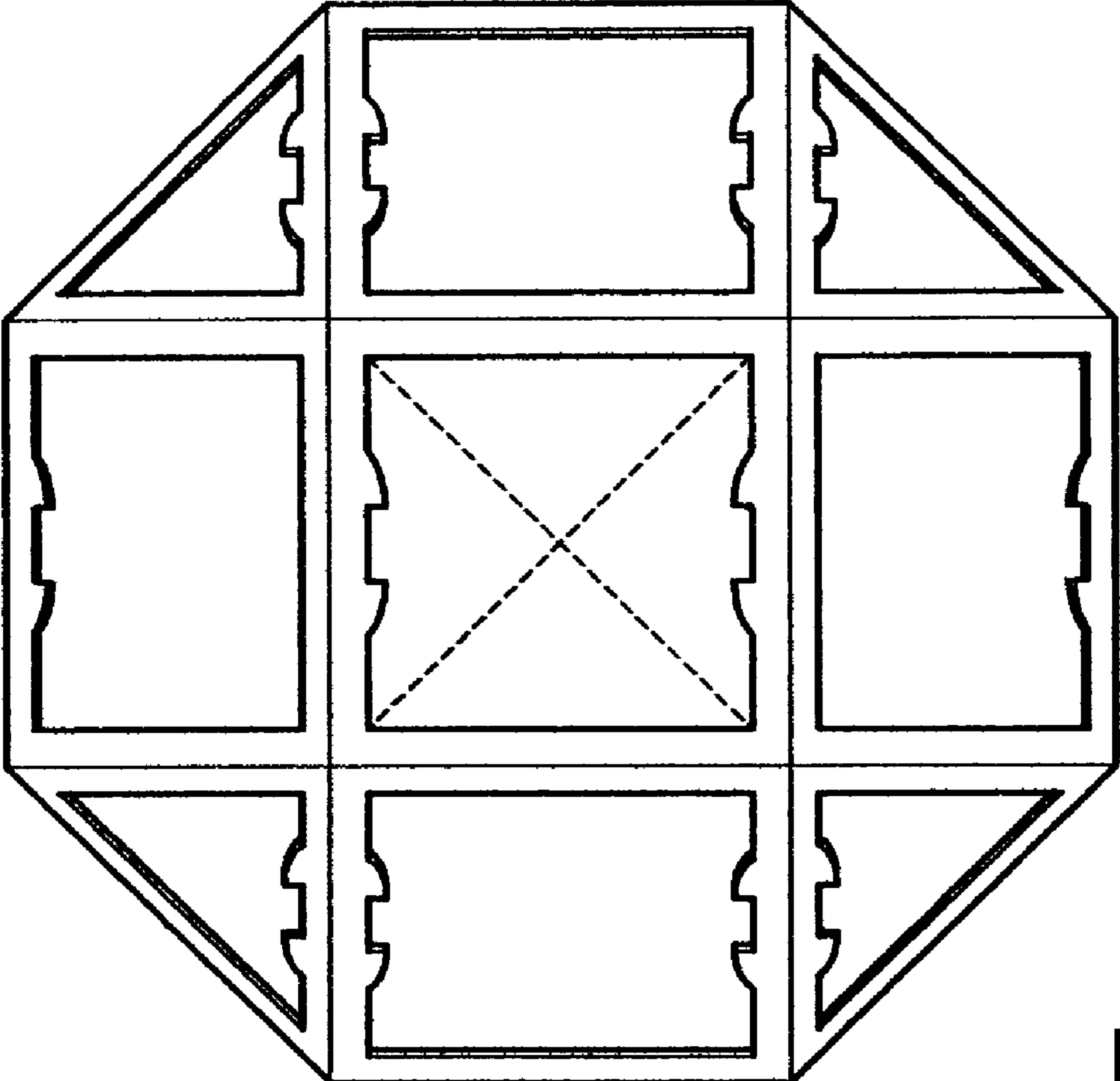


Fig. 7