



US00D559553S

(12) **United States Design Patent**
Mischel, Jr.

(10) **Patent No.:** **US D559,553 S**
(45) **Date of Patent:** **** Jan. 15, 2008**

(54) **BACKLIT MIRROR WITH TV**

(75) Inventor: **James Vernon Mischel, Jr.**, Seattle,
WA (US)

(73) Assignee: **Electric Mirror, L.L.C.**, Edmonds, WA
(US)

(**) Term: **14 Years**

(21) Appl. No.: **29/262,001**

(22) Filed: **Jun. 23, 2006**

(51) **LOC (8) Cl.** **06-07**

(52) **U.S. Cl.** **D5/300; D6/308; D6/397**

(58) **Field of Classification Search** D6/300-314,
D6/444; D20/10; 40/700, 735, 738, 744,
40/798, 718, 768, 714; D28/64.1; 250/492.23;
D14/129, 141.3; 428/40.1; D11/132

See application file for complete search history.

(56) **References Cited**

U.S. PATENT DOCUMENTS

593,036	A *	11/1897	Stuparich	40/768
D114,451	S	4/1939	Lazarus		
D265,485	S *	7/1982	Liptak	D20/10
D270,066	S *	8/1983	Ackeret	D6/308
D327,370	S *	6/1992	Mittelstrass	D6/301
5,205,059	A *	4/1993	Doll	40/718
D339,921	S	10/1993	Nourse		
D345,379	S	3/1994	Chan		
D353,942	S *	1/1995	Lo et al.	D6/310
D376,914	S *	12/1996	Waszkiewicz, III	D6/300
D383,908	S *	9/1997	Waszkiewicz, III	D6/300
D384,304	S *	9/1997	Sheldon	D11/132

D384,821	S *	10/1997	Sugar	D6/300
D384,823	S *	10/1997	Sugar et al.	D6/300
D405,473	S	2/1999	Tikhonski et al.		
D415,355	S *	10/1999	Lewis	D6/300
D424,812	S *	5/2000	Kacius	D6/300
6,099,928	A *	8/2000	Chee	428/40.1
D433,573	S	11/2000	Rochon		
D458,459	S *	6/2002	Gottwald	D6/300
D483,747	S *	12/2003	Berube	D14/141.3
D524,555	S *	7/2006	Mohundro	D6/300
D546,565	S *	7/2007	Mischel et al.	D6/300
2002/0069567	A1 *	6/2002	Marino	40/735
2005/0005494	A1 *	1/2005	Way	40/714

* cited by examiner

Primary Examiner—Caron D. Veynar

Assistant Examiner—Sydney R. Buffalow

(74) *Attorney, Agent, or Firm*—Christensen O'Connor
Johnson Kindness PLLC

(57) **CLAIM**

The ornamental design for a backlit mirror with tv, as shown
and described.

DESCRIPTION

FIG. 1 is a perspective view of a backlit mirror with tv,
showing our new design:

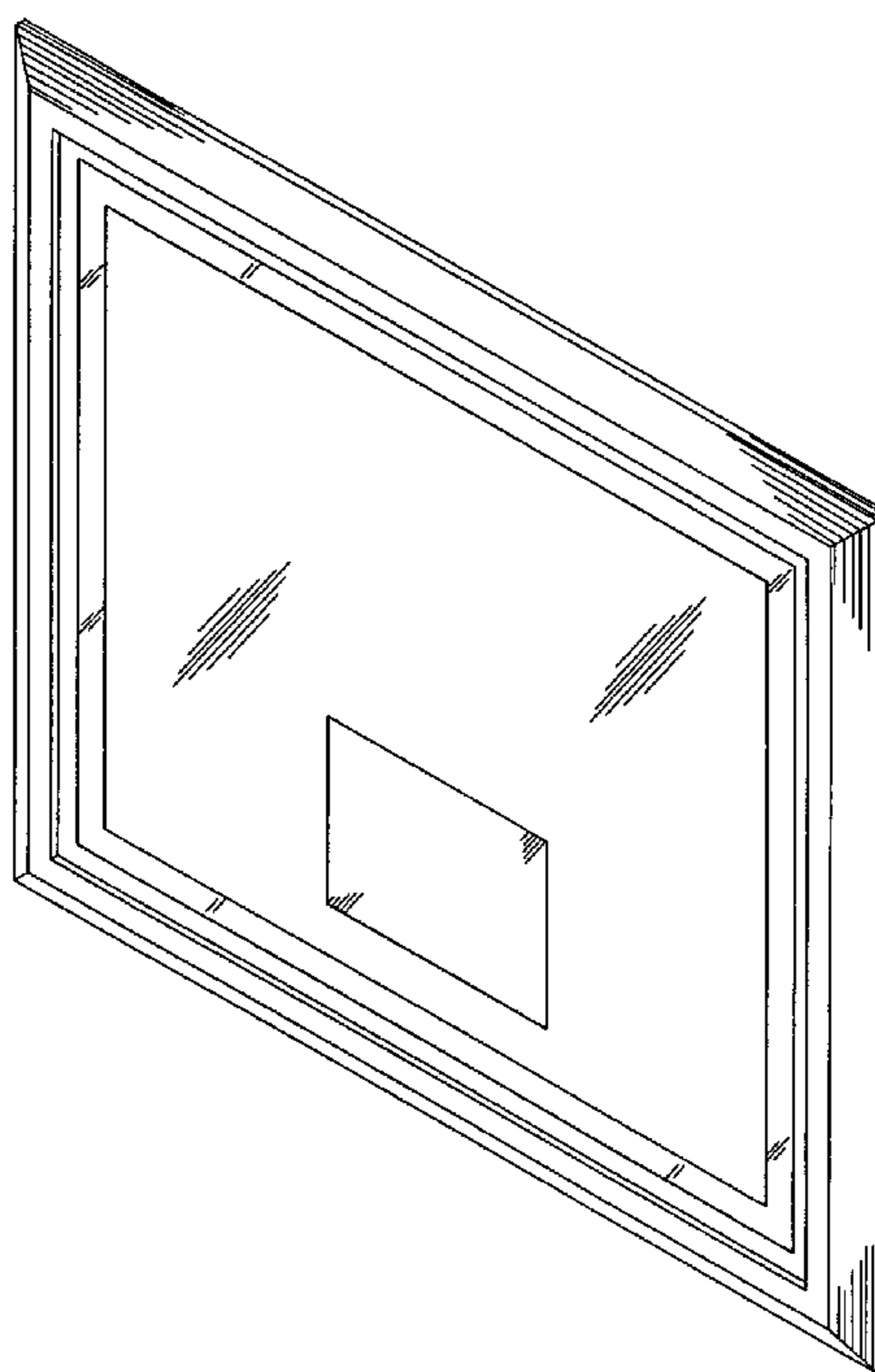
FIG. 2 is a front view thereof;

FIG. 3 is a left side view and a right side view thereof;

FIG. 4 is a top view and bottom view thereof; and,

FIG. 5 is a back view thereof.

1 Claim, 3 Drawing Sheets



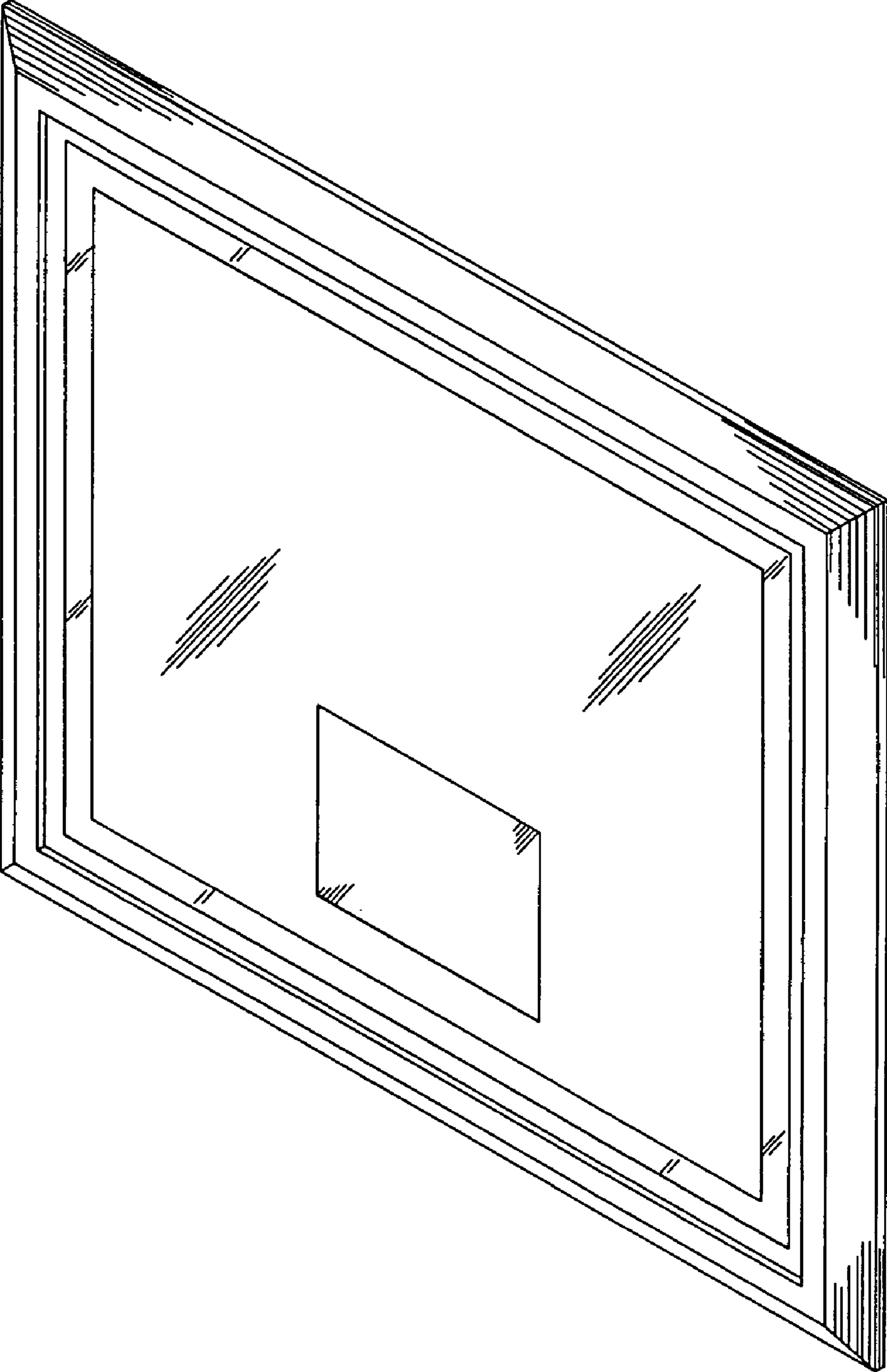


Fig. 1.

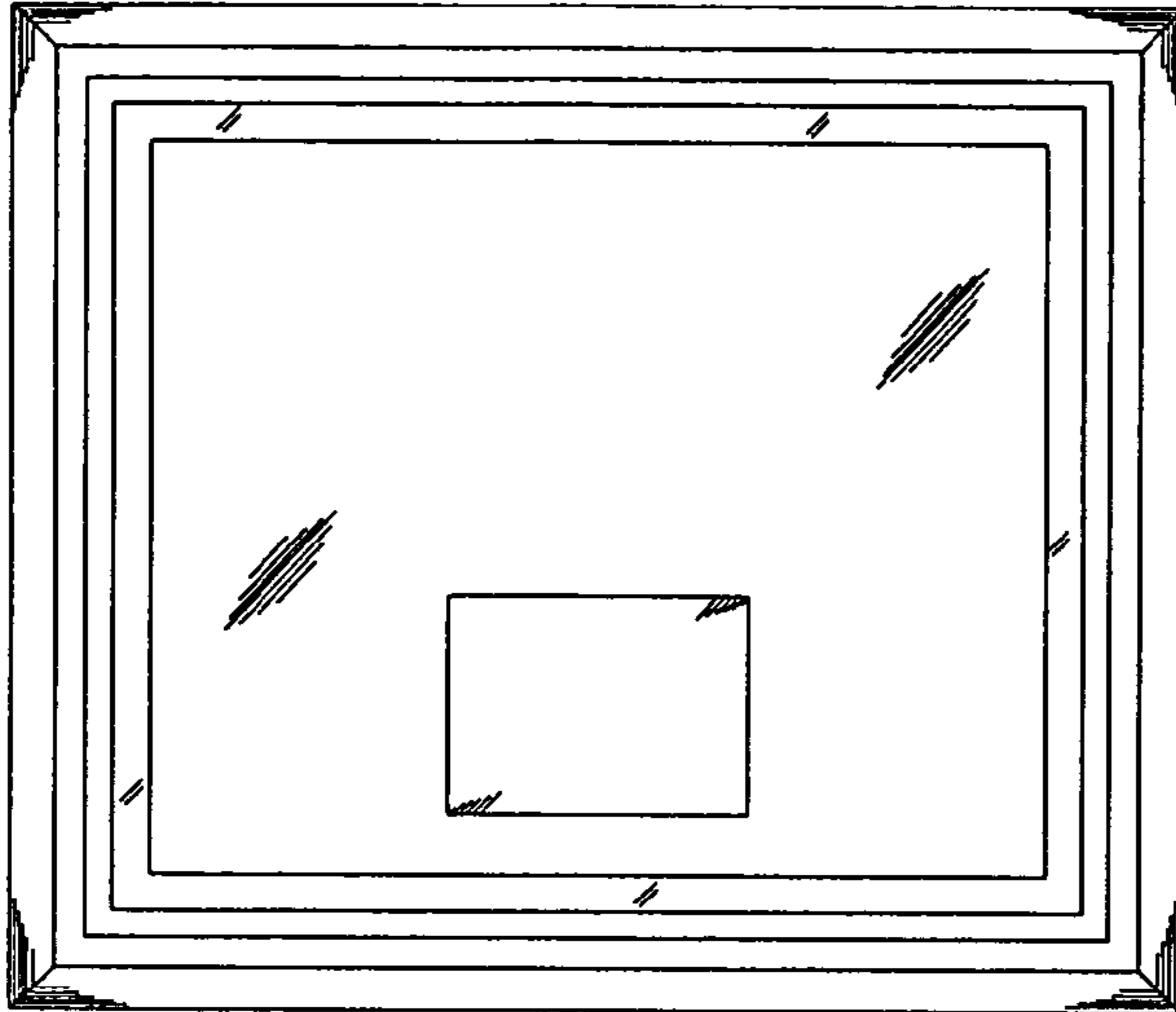


Fig. 2.



Fig. 3.

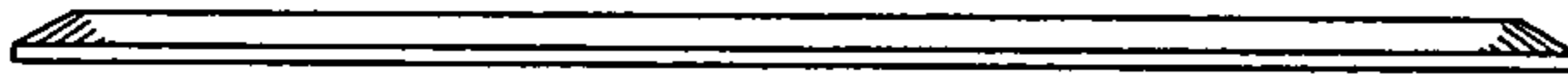


Fig. 4.

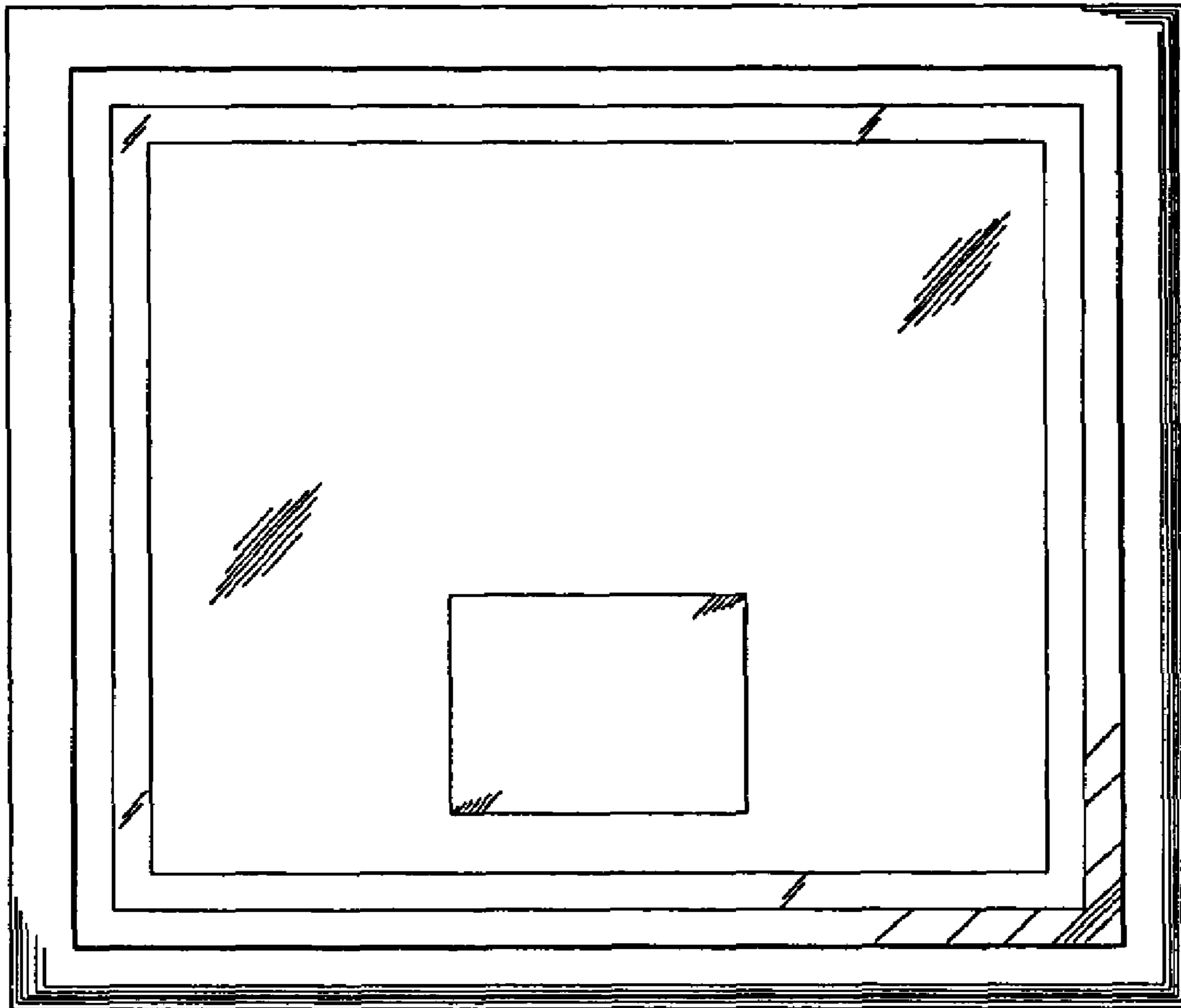


Fig. 5.