



US00D559547S

(12) **United States Design Patent**
Dovellos

(10) **Patent No.:** **US D559,547 S**
(45) **Date of Patent:** **** Jan. 15, 2008**

(54) **PAINT BRUSH HEAD**

(75) Inventor: **Gus Dovellos**, Dyer, IN (US)

(73) Assignee: **Royal Brush Manufacturing, Inc.**,
Merrillville, IN (US)

(**) Term: **14 Years**

(21) Appl. No.: **29/220,901**

(22) Filed: **Jan. 6, 2005**

(51) **LOC (8) Cl.** **04-04**

(52) **U.S. Cl.** **D4/135**

(58) **Field of Classification Search** D4/132,
D4/135; 28/7, 20, 31; 15/166, 168, 159.1,
15/160, 190, 191.1, 192-193, 194-196, DIG. 5;
132/202, 207, 212, 313, 317, 320

See application file for complete search history.

(56) **References Cited**

U.S. PATENT DOCUMENTS

68,022 A	8/1867	Wood	
74,224 A	2/1868	Hergesheimer	
376,540 A	1/1888	Mcquide	
D20,006 S	7/1890	Lessard	
573,711 A *	12/1896	Schuck	15/192
857,239 A	6/1907	Hawkins	
907,850 A	12/1908	Mountford	
2,138,012 A	11/1938	Perr	
2,147,310 A	2/1939	Morrison	
2,155,004 A *	4/1939	Blossom	401/284
D134,797 S	1/1943	Lubkin	
2,674,759 A	4/1954	Solberg	
2,861,371 A	11/1958	Leshik	
3,031,708 A	5/1962	Smyth	
3,186,765 A	6/1965	Gentoso	
D204,449 S	4/1966	Zavodsky	
3,349,781 A *	10/1967	Poole et al.	132/208
3,609,051 A	9/1971	Braun	
3,751,751 A	8/1973	Karl	
3,924,287 A	12/1975	Brown	
4,088,413 A	5/1978	Rossignol de la Ronde et al.	
4,144,611 A	3/1979	Brown	
D260,406 S	8/1981	Itoh	

4,471,507 A	9/1984	Schwartz
D279,729 S	7/1985	Polanish
4,590,637 A	5/1986	Marino
D297,889 S	10/1988	Ries et al.
D311,455 S	10/1990	Snipes

(Continued)

FOREIGN PATENT DOCUMENTS

BE	563991	6/1960
----	--------	--------

(Continued)

OTHER PUBLICATIONS

WIPO DM/066163 Industry Design Application, (BOURJOIS) Sep. 16, 2004, [online], [Retrieved on Mar. 7, 2007] Retrieved from the Hague Express Design Database of the WIPO Intellectual Property Digital Library using Internet □□<URL:http://www.wipo.int/ipdl>.*

Primary Examiner—Cathron Brooks

Assistant Examiner—Lavone D. Tabor

(74) *Attorney, Agent, or Firm*—Brinks Hofer Gilson & Lione

(57) **CLAIM**

I claim the ornamental design for a paint brush head, as shown and described.

DESCRIPTION

FIG. 1 is a side perspective view of a paint brush head in accordance with the present invention;

FIG. 2 is a bottom plan view thereof;

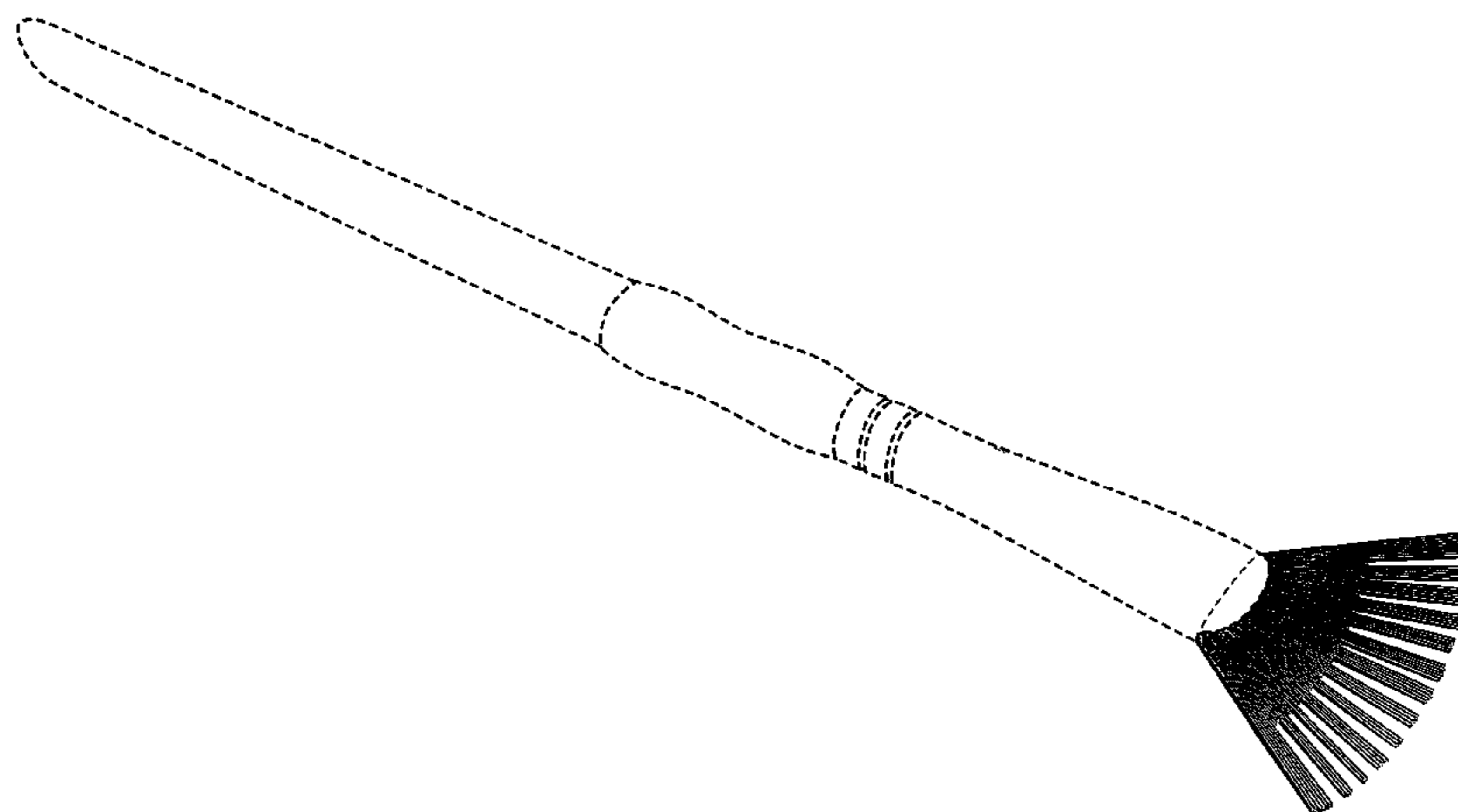
FIG. 3 is a left side elevation view thereof;

FIG. 4 is a right side elevation view thereof; and,

FIG. 5 is a top plan view thereof.

The ornamental design which is claimed is shown in solid lines in the drawings. Any broken lines in the drawings are for illustrative purposes only and form no part of the claimed design.

1 Claim, 2 Drawing Sheets



US D559,547 S

Page 2

U.S. PATENT DOCUMENTS

5,001,803 A 3/1991 Discko, Jr.
5,062,672 A * 11/1991 Harris 294/65.5
5,150,495 A 9/1992 Discko, Jr. et al.
5,220,702 A 6/1993 Howell et al.
5,323,505 A 6/1994 Montabaur et al.
D351,065 S 10/1994 Lee
D357,585 S 4/1995 Mollack
D361,435 S 8/1995 Joseph
D362,550 S 9/1995 Narubin
5,507,063 A * 4/1996 Hirsch 15/160
D376,049 S 12/1996 Harris et al.
D378,323 S 3/1997 Lee
D380,615 S 7/1997 Roberts
D384,817 S 10/1997 Narubin et al.
D392,103 S 3/1998 Zaccheria
5,800,751 A 9/1998 Barker
5,836,036 A 11/1998 Ivory
5,913,348 A 6/1999 Horton
5,920,943 A 7/1999 Barker
D414,343 S 9/1999 Isaacson
D416,688 S 11/1999 Baltierra
5,991,956 A 11/1999 Chapman
6,012,194 A 1/2000 Eshbach et al.
D427,777 S 7/2000 Kim
6,138,313 A 10/2000 Barton et al.
6,145,151 A 11/2000 Herron et al.

D435,349 S 12/2000 Kim
D436,449 S 1/2001 Baltierra
D439,415 S 3/2001 Mink et al.
6,202,241 B1 3/2001 Hassell et al.
D441,537 S 5/2001 Tapley et al.
6,314,605 B1 11/2001 Solanki et al.
6,367,113 B1 4/2002 Usui
D458,761 S 6/2002 Mason et al.
6,421,867 B1 7/2002 Weihrauch
6,438,786 B2 8/2002 Harada
D463,136 S 9/2002 Mink
D471,018 S 3/2003 Mink
D479,917 S * 9/2003 Mink D4/135
D480,217 S 10/2003 Mink
6,726,789 B1 4/2004 Weihrauch

FOREIGN PATENT DOCUMENTS

DE 35 23 175 C2 1/1988
DE 196 46 723 C2 1/2000
FR 1494582 7/1967
FR 2642283 8/1990
FR 2 784 014 A1 4/2000
GB 351858 7/1931
GB 2159699 A * 12/1985
JP 8-19424 1/1996

* cited by examiner

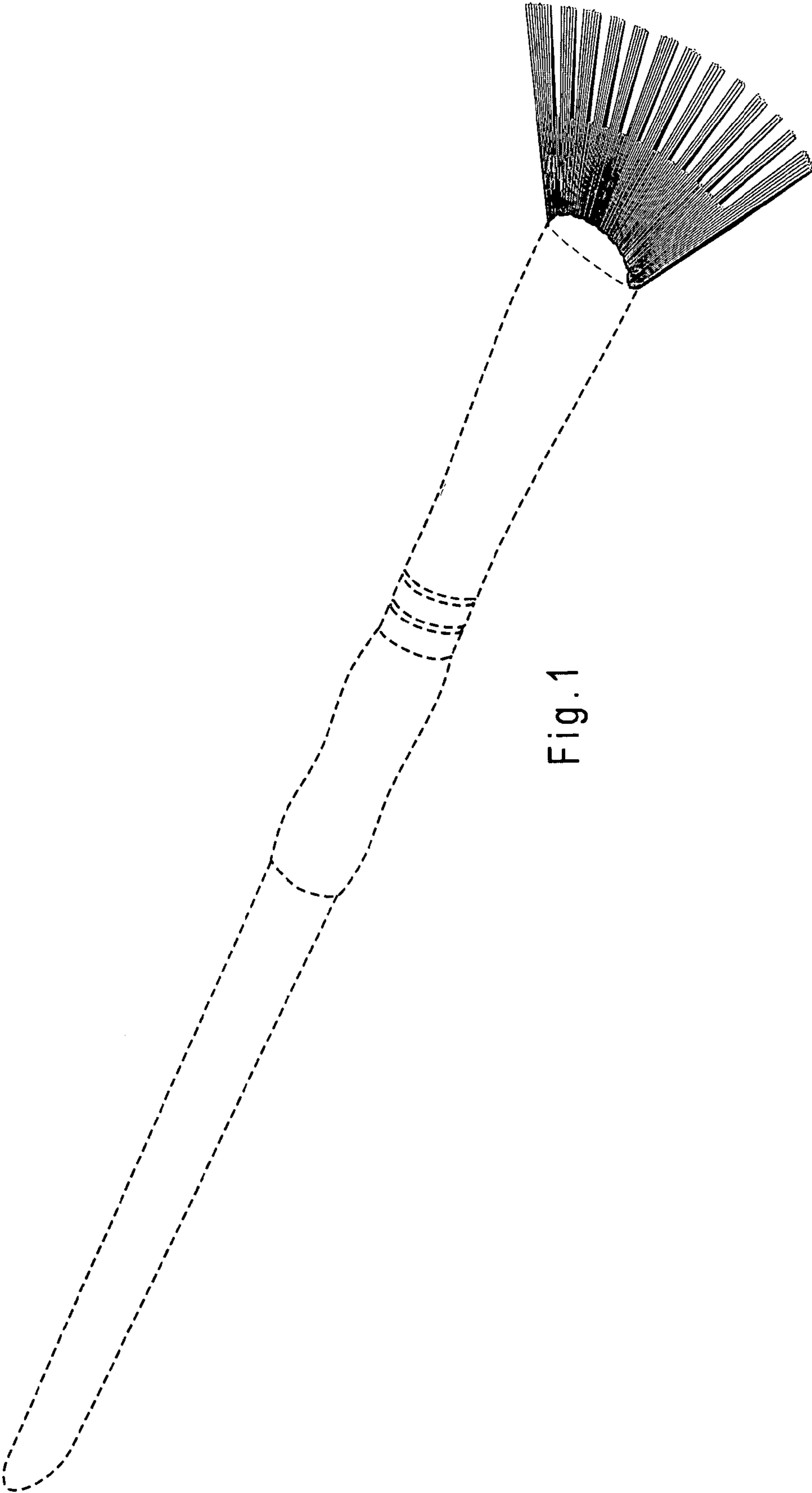


Fig. 1

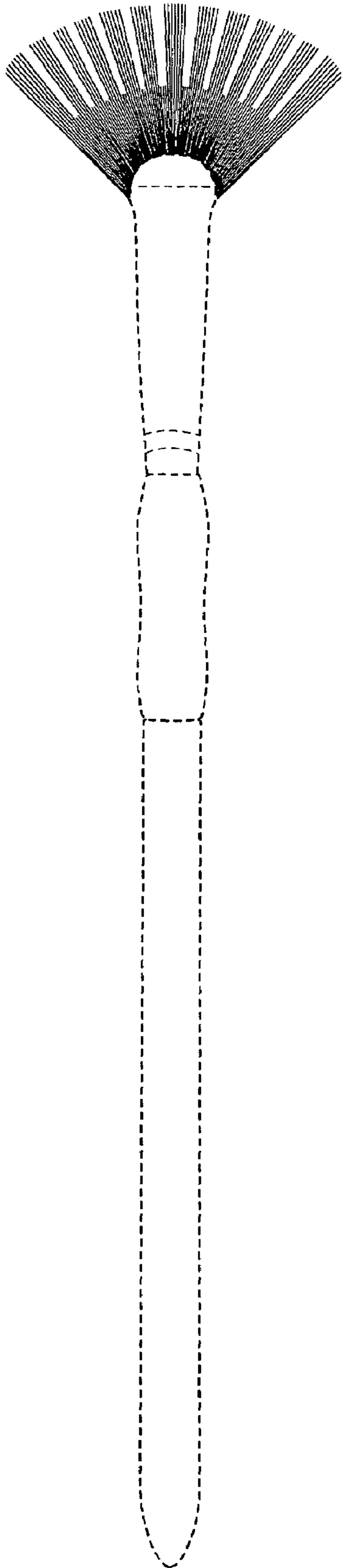


Fig. 2

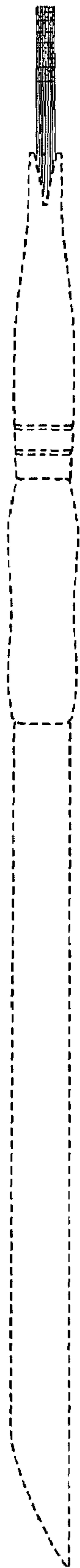


Fig. 3

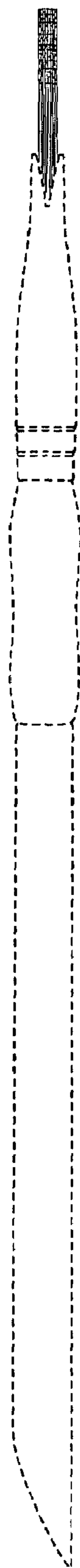


Fig. 4

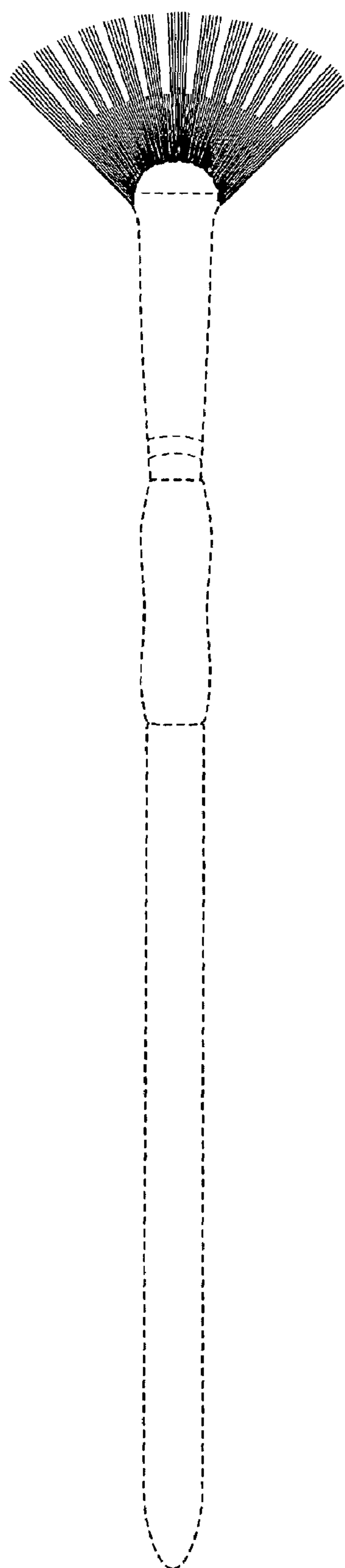


Fig. 5