



US00D559545S

(12) **United States Design Patent** (10) **Patent No.:** **US D559,545 S**
Allen (45) **Date of Patent:** **** Jan. 15, 2008**

(54) **CONTAINER**
(75) Inventor: **Richard E. Allen**, Colleyville, TX (US)
(73) Assignee: **Boyt Harness Company, L.L.C.**,
Osceola, IA (US)
(**) Term: **14 Years**

4,118,265 A 10/1978 Hardigg
4,119,199 A 10/1978 Whitaker, Jr.
4,162,004 A 7/1979 Thomas
4,180,232 A 12/1979 Hardigg
4,257,464 A 3/1981 Binney
4,276,360 A 6/1981 Hardigg et al.
4,284,202 A 8/1981 Barstow, Jr.
D264,002 S 4/1982 Hardigg

(21) Appl. No.: **29/248,082**

(Continued)

(22) Filed: **Jul. 27, 2006**

FOREIGN PATENT DOCUMENTS

(51) **LOC (8) Cl.** **03-01**
(52) **U.S. Cl.** **D3/254; D3/262; D3/289**
(58) **Field of Classification Search** **D3/254,**
D3/262, 276, 289, 292, 294, 904, 905; 206/3,
206/314, 315.1, 315.11, 316.1, 317, 523;
190/900; 224/910-913, 931
See application file for complete search history.

CA 962974 2/1975

(Continued)

(56) **References Cited**

U.S. PATENT DOCUMENTS

2,499,497 A 3/1950 Gross
2,519,662 A * 8/1950 Kempken 206/317
3,307,755 A * 3/1967 Lentz 206/317
3,369,721 A 2/1968 Lentz
3,387,698 A 6/1968 Hendricks et al.
3,437,247 A 4/1969 Hardigg
3,441,125 A 4/1969 Small
3,445,553 A 5/1969 Hardigg
3,540,508 A 11/1970 Couch
3,570,703 A 3/1971 MacRae
3,669,336 A 6/1972 Robinson
3,690,540 A 9/1972 Hardigg
3,701,371 A 10/1972 Stackhouse
3,731,818 A 5/1973 Young
3,744,687 A 7/1973 Oreck
3,780,487 A 12/1973 Munson
3,811,562 A 5/1974 Smith
3,865,166 A 2/1975 Pedro
3,896,987 A 7/1975 Soja
3,907,108 A 9/1975 Weimer, Jr.
3,993,507 A 11/1976 Hardigg
4,066,401 A 1/1978 Solomon
4,074,380 A 2/1978 Parker

OTHER PUBLICATIONS

Gun Guard—Double Rifle Case at CTI Warehouse Network. Down-
loaded May 18, 2007 at <http://www.bow-gun-hunting-sports.com/dyn.htm>.*

Primary Examiner—Gary D. Watson
Assistant Examiner—RoseLynne (Ulm) Cody
(74) *Attorney, Agent, or Firm*—Bell, Boyd & Lloyd LLP

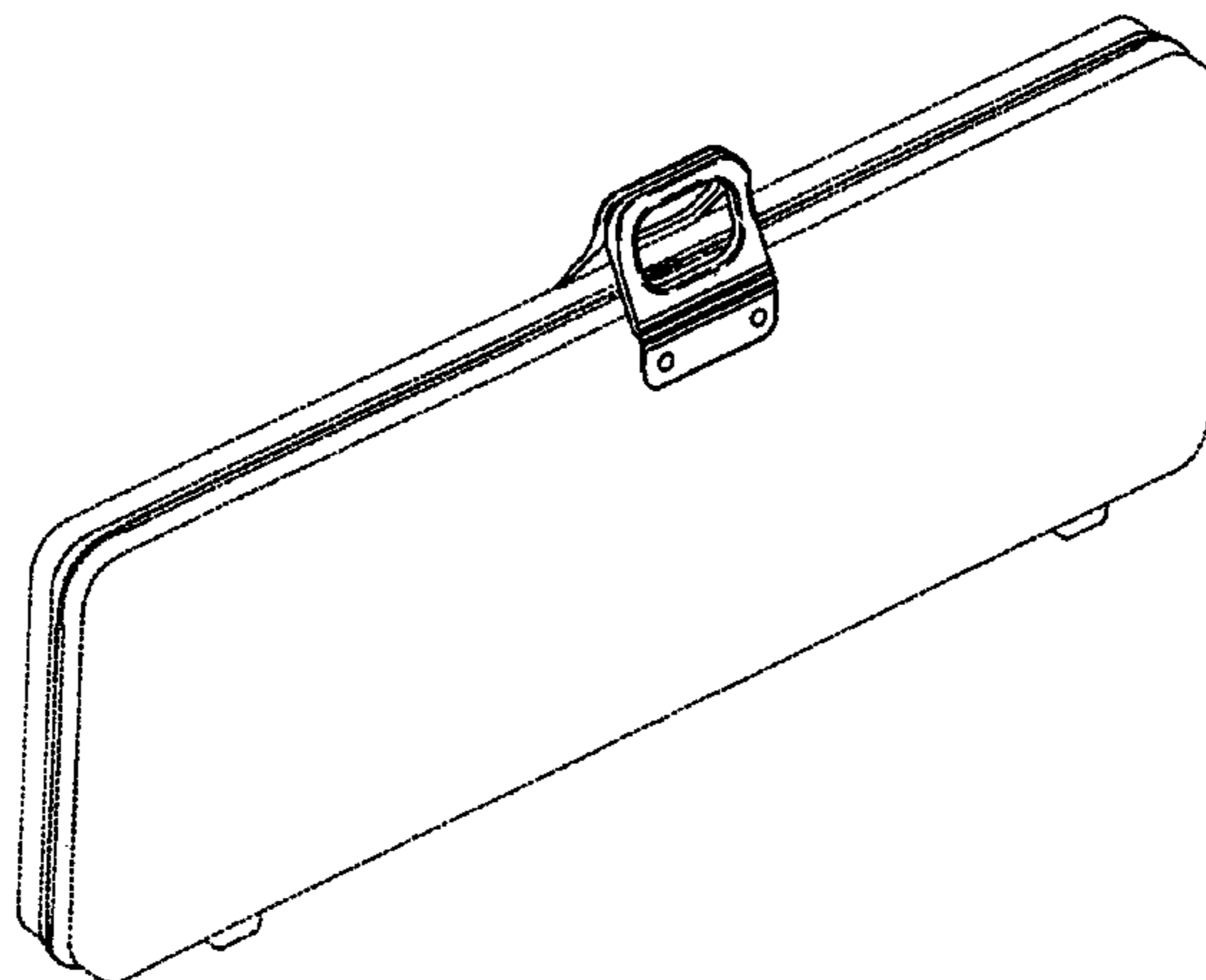
(57) **CLAIM**

The ornamental design for a container, as shown and described.

DESCRIPTION

FIG. 1 is a front, top perspective view of the container.
FIG. 2 is a rear, bottom perspective view of the container of FIG. 1.
FIG. 3 is a front elevation view of the container of FIG. 1.
FIG. 4 is a top view of the container of FIG. 1; and,
FIG. 5 is a left side elevation view of the container of FIG. 1, the right side being a mirror image thereof.
The portions of the container shown in phantom are not part of the design sought to be patented and are provided for environmental purposes only.

1 Claim, 5 Drawing Sheets



US D559,545 S

| U.S. PATENT DOCUMENTS | | | | | |
|-----------------------|---------|--------------------------|----------------|---------|----------------------------|
| 4,331,748 A | 5/1982 | Hardigg et al. | 5,461,755 A | 10/1995 | Hardigg et al. |
| 4,337,024 A | 6/1982 | Turner et al. | 5,466,316 A | 11/1995 | Hardigg et al. |
| 4,349,105 A | 9/1982 | Bradley et al. | 5,488,799 A | 2/1996 | Hauschild |
| 4,352,977 A | 10/1982 | Hardigg et al. | 5,505,355 A | 4/1996 | Williams |
| 4,380,577 A | 4/1983 | Hardigg | 5,551,562 A | 9/1996 | Beretta |
| 4,390,384 A | 6/1983 | Turner | D376,474 S | 12/1996 | Marks |
| 4,419,321 A | 12/1983 | Hardigg | 5,584,424 A | 12/1996 | Stava |
| 4,439,263 A | 3/1984 | Hardigg et al. | 5,619,819 A | 4/1997 | Hauschild |
| 4,446,900 A | 5/1984 | Markovich | D383,558 S | 9/1997 | Parker |
| 4,463,847 A | 8/1984 | Gordon | 5,662,219 A | 9/1997 | Tschudy et al. |
| 4,475,247 A | 10/1984 | Lee | 5,662,220 A | 9/1997 | Schurman |
| 4,489,833 A | 12/1984 | Bauer | 5,669,495 A | 9/1997 | West |
| 4,495,260 A | 1/1985 | Hardigg et al. | 5,671,830 A | 9/1997 | Wood |
| D278,189 S | 4/1985 | Frydenberg | D385,108 S | 10/1997 | Tschudy |
| 4,530,178 A | 7/1985 | Rauscher | 5,678,344 A | 10/1997 | Jones et al. |
| 4,531,639 A | 7/1985 | Zopf | 5,678,686 A | 10/1997 | Hagemann et al. |
| 4,548,392 A | 10/1985 | Rickling | 5,683,021 A | 11/1997 | Setina |
| 4,553,464 A | 11/1985 | Turner et al. | 5,736,221 A | 4/1998 | Hardigg et al. |
| 4,680,682 A | 7/1987 | Parker | D396,345 S | 7/1998 | Sanderson |
| 4,702,029 A | 10/1987 | DeVaul et al. | 5,779,031 A | 7/1998 | Moraine et al. |
| 4,703,519 A * | 10/1987 | Krenzel 383/97 | D398,149 S | 9/1998 | Sanderson et al. |
| 4,721,205 A | 1/1988 | Burt et al. | 5,806,673 A | 9/1998 | Sanderson |
| 4,732,826 A | 3/1988 | Hardigg | 5,810,064 A | 9/1998 | Sanderson et al. |
| 4,741,972 A | 5/1988 | Hardigg | 5,829,586 A | 11/1998 | Mermell |
| 4,756,456 A | 7/1988 | Schauer | D402,068 S | 12/1998 | Parker |
| 4,757,665 A | 7/1988 | Hardigg | D402,462 S | 12/1998 | Sanderson |
| RE32,752 E | 9/1988 | Kiang | 5,873,480 A | 2/1999 | Wells, Jr. |
| 4,788,838 A | 12/1988 | Cislo | 5,881,874 A | 3/1999 | McKinney |
| 4,842,134 A * | 6/1989 | Chang 206/315.1 | D407,557 S * | 4/1999 | Jones D3/294 |
| 4,858,361 A | 8/1989 | White | 5,924,565 A | 7/1999 | Colee |
| 4,860,479 A | 8/1989 | Easter | 5,927,361 A | 7/1999 | Sanderson et al. |
| D303,846 S | 10/1989 | Parker | 6,009,654 A | 1/2000 | Williams et al. |
| 4,871,628 A | 10/1989 | Parker | 6,009,996 A | 1/2000 | Purdy |
| 4,890,466 A | 1/1990 | Cislo | 6,135,277 A | 10/2000 | Armstrong |
| 4,998,636 A | 3/1991 | Hardigg | 6,145,719 A | 11/2000 | Robert |
| 5,012,553 A | 5/1991 | Hardigg et al. | 6,158,745 A | 12/2000 | Deighton |
| 5,027,967 A | 7/1991 | Tellas | D436,417 S | 1/2001 | Parker |
| D320,113 S | 9/1991 | VanSkiver | D437,065 S | 1/2001 | Parker |
| 5,048,682 A | 9/1991 | Taylor | 6,179,438 B1 | 1/2001 | Parker |
| D320,306 S * | 10/1991 | Schwartz D3/289 | 6,183,105 B1 | 2/2001 | Parker |
| 5,071,444 A | 12/1991 | Gaydos | 6,186,641 B1 | 2/2001 | Parker |
| 5,118,175 A | 6/1992 | Costello | D439,048 S | 3/2001 | Sanderson |
| D327,646 S | 7/1992 | Hardigg et al. | D439,407 S | 3/2001 | Parker |
| 5,161,396 A | 11/1992 | Loeff | D439,690 S | 3/2001 | Parker |
| 5,168,994 A | 12/1992 | Beletsky et al. | 6,203,075 B1 | 3/2001 | Wells, Jr. et al. |
| 5,172,575 A | 12/1992 | Fisher | 6,210,829 B1 | 4/2001 | Hardigg |
| 5,203,449 A | 4/1993 | Bonardi | D441,954 S | 5/2001 | Parker |
| D336,984 S * | 7/1993 | VanSkiver D3/262 | D442,307 S | 5/2001 | Parker |
| 5,236,086 A | 8/1993 | MacTaggart | 6,224,235 B1 | 5/2001 | Parker |
| 5,296,075 A | 3/1994 | Hardigg et al. | 6,230,925 B1 | 5/2001 | Hardigg et al. |
| D345,845 S | 4/1994 | Strzegowski, Jr. | 6,244,432 B1 | 6/2001 | Saari et al. |
| 5,299,722 A | 4/1994 | Cheney | D445,925 S | 7/2001 | Parker |
| D347,114 S * | 5/1994 | Tengvall D3/281 | 6,253,915 B1 | 7/2001 | Mesica et al. |
| D347,322 S | 5/1994 | Fiore | 6,260,300 B1 | 7/2001 | Klebes et al. |
| D350,618 S | 9/1994 | Parker | D446,184 S | 8/2001 | Parker |
| 5,344,010 A | 9/1994 | Dyer et al. | D446,936 S | 8/2001 | Sanderson et al. |
| 5,349,507 A | 9/1994 | Parker | D448,164 S * | 9/2001 | Kolpin D3/262 |
| 5,349,512 A | 9/1994 | Parker | 6,283,287 B1 * | 9/2001 | Carl 206/314 |
| 5,370,254 A | 12/1994 | Hardigg et al. | D448,565 S | 10/2001 | Sanderson |
| 5,375,440 A | 12/1994 | Patterson | D449,394 S | 10/2001 | Parker |
| D356,676 S | 3/1995 | Sanderson | D451,223 S | 11/2001 | Parker |
| D357,117 S | 4/1995 | Huang | 6,332,997 B1 | 12/2001 | Hardigg et al. |
| D357,180 S | 4/1995 | Stover | RE37,518 E | 1/2002 | Hardigg et al. |
| 5,404,281 A | 4/1995 | Parker | 6,350,040 B1 | 2/2002 | Parker |
| 5,410,457 A | 4/1995 | Parker | D456,921 S | 5/2002 | Parker et al. |
| D358,255 S * | 5/1995 | Sharp et al. D3/262 | D456,922 S | 5/2002 | Parker et al. |
| 5,416,284 A | 5/1995 | Steele et al. | D462,472 S | 9/2002 | Parker et al. |
| 5,431,970 A | 7/1995 | Broun et al. | D462,519 S | 9/2002 | Gaydos et al. |
| D360,757 S | 8/1995 | Snetting et al. | D464,196 S | 10/2002 | Parker |
| D362,805 S | 10/1995 | Hardigg | D465,330 S | 11/2002 | Parker |
| 5,458,266 A | 10/1995 | Pichot | D465,923 S * | 11/2002 | Pangerc et al. D3/289 |
| | | | D467,424 S | 12/2002 | Hardigg et al. |
| | | | D467,425 S | 12/2002 | Hardigg et al. |

US D559,545 S

| | | | | | |
|-------------------|---------|-------------------------------|-----------------|--------------|------------------|
| D467,426 S | 12/2002 | Hardigg et al. | 2004/0195999 A1 | 10/2004 | Parker |
| 6,488,148 B1 | 12/2002 | Woodson | 2004/0197648 A1 | 10/2004 | Sciutto |
| D471,355 S | 3/2003 | Sanderson et al. | 2004/0226793 A1 | 11/2004 | Tilby et al. |
| 6,527,309 B1 | 3/2003 | Gaydos et al. | 2005/0001435 A1 | 1/2005 | Parker et al. |
| 6,536,912 B2 | 3/2003 | Parker | 2005/0011786 A1 | 1/2005 | Wood et al. |
| D472,384 S | 4/2003 | Richardson | 2005/0092632 A1 | 5/2005 | Stanton et al. |
| D473,009 S | 4/2003 | Jarrett | 2005/0123220 A1 | 6/2005 | Smith |
| 6,547,070 B1 | 4/2003 | Kolpin | 2005/0123830 A1 | 6/2005 | Hardigg et al. |
| 6,557,702 B1 | 5/2003 | Sanderson et al. | 2005/0128738 A1 | 6/2005 | Parker et al. |
| 6,570,501 B2 | 5/2003 | Bushnell et al. | 2005/0152134 A1 | 7/2005 | Parker et al. |
| D477,141 S | 7/2003 | Gantert | 2005/0172681 A1 | 8/2005 | Tonelli |
| 6,601,680 B2 | 8/2003 | Japchen | 2005/0184703 A1 | 8/2005 | Parker |
| D479,398 S | 9/2003 | Sanderson | 2005/0230395 A1 | 10/2005 | Parker et al. |
| 6,612,412 B2 | 9/2003 | Sanderson et al. | 2005/0254238 A1 | 11/2005 | Parker et al. |
| 6,622,881 B2 | 9/2003 | Hardigg | 2005/0257678 A1 | 11/2005 | Camp |
| 6,626,339 B2 | 9/2003 | Gates et al. | 2006/0011641 A1 | 1/2006 | Sanderson |
| D482,529 S | 11/2003 | Hardigg et al. | 2006/0017293 A1 | 1/2006 | Tonelli |
| 6,646,864 B2 | 11/2003 | Richardson | 2006/0026795 A1 | 2/2006 | Tonelli |
| D483,948 S | 12/2003 | Parker | 2006/0042897 A1 | 3/2006 | Sanderson |
| D484,304 S | 12/2003 | Sanderson | 2006/0054532 A1 | 3/2006 | Ochi |
| 6,659,495 B1 | 12/2003 | Sanderson | 2006/0060588 A1 | 3/2006 | Tonelli |
| 6,662,944 B2 | 12/2003 | Hagemann et al. | 2006/0065560 A1 | 3/2006 | Dickinson et al. |
| D485,069 S | 1/2004 | Parker | | | |
| D485,626 S | 1/2004 | Parker | | | |
| 6,698,608 B2 | 3/2004 | Parker et al. | | | |
| 6,722,496 B2 | 4/2004 | Gantert | CA | 1077132 | 5/1980 |
| 6,729,489 B2 | 5/2004 | Sanderson | CA | 1130071 | 8/1982 |
| D491,724 S | 6/2004 | Sanderson | CA | 1139912 | 1/1983 |
| D492,184 S | 6/2004 | Parker et al. | CA | 1157086 | 11/1983 |
| 6,752,514 B2 | 6/2004 | Parker | CA | 1162253 | 2/1984 |
| 6,829,917 B2 | 12/2004 | Russell | CA | 1162606 | 2/1984 |
| D500,875 S | 1/2005 | Parker et al. | CA | 2035439 | 1/1991 |
| 6,843,081 B1 | 1/2005 | Painter | CA | 2037274 | 10/1991 |
| 6,845,640 B2 | 1/2005 | Loeff et al. | CA | 2128663 | 5/1995 |
| 6,874,628 B2 | 4/2005 | Hammill | CA | 2143565 | 8/1995 |
| 6,909,260 B2 | 6/2005 | Parker | CA | 2181669 | 1/1997 |
| 6,953,126 B2 | 10/2005 | Parker et al. | CA | 2307662 | 7/1999 |
| 6,955,381 B2 | 10/2005 | Parker et al. | CA | 2272481 | 11/1999 |
| D513,084 S | 12/2005 | Parker et al. | CA | 2297952 | 12/1999 |
| D513,123 S | 12/2005 | Richardson et al. | CA | 2314708 | 1/2001 |
| D513,451 S | 1/2006 | Richardson et al. | CA | 2388249 | 12/2002 |
| D514,808 S | 2/2006 | Morine et al. | CA | 2391058 | 3/2003 |
| 6,995,976 B2 | 2/2006 | Richardson | DE | 69526071 | 11/2002 |
| D516,309 S | 3/2006 | Richardson et al. | DE | 10238155 | 11/2003 |
| D516,553 S | 3/2006 | Richardson et al. | DE | 10238157 | 11/2003 |
| D516,554 S | 3/2006 | Richardson et al. | DE | 69625286 | 11/2003 |
| D516,807 S | 3/2006 | Richardson et al. | DE | 20212808 | 1/2004 |
| 7,063,737 B2 * | 6/2006 | Tilby et al. 206/317 | DE | 20212810 | 1/2004 |
| 2001/0052711 A1 | 12/2001 | Bingman | DE | 202004010232 | 9/2004 |
| 2002/0064041 A1 | 5/2002 | Parker | DE | 202005003382 | 6/2005 |
| 2002/0149930 A1 | 10/2002 | Parker | DE | 19981898 | 7/2005 |
| 2002/0190066 A1 | 12/2002 | Hardigg | DE | 69918370 | 7/2005 |
| 2003/0035286 A1 | 2/2003 | Parker | DE | 202005004058 | 8/2005 |
| 2003/0052124 A1 | 3/2003 | Gaydos | DE | 102005034405 | 3/2006 |
| 2003/0057122 A1 | 3/2003 | Bushnell et al. | DE | 102005043922 | 3/2006 |
| 2003/0080124 A1 | 5/2003 | Parker | EP | 97410 | 1/1984 |
| 2003/0085140 A1 | 5/2003 | Hagemann et al. | EP | 611079 | 8/1994 |
| 2003/0106819 A1 | 6/2003 | Bennett | EP | 431147 | 5/1995 |
| 2003/0111369 A1 * | 6/2003 | Markowitz, Jr. 206/315.1 | EP | 654414 | 5/1995 |
| 2003/0111370 A1 | 6/2003 | Sanderson et al. | EP | 744854 | 11/1996 |
| 2003/0121741 A1 | 7/2003 | Japchen | EP | 754540 | 1/1997 |
| 2003/0159954 A1 | 8/2003 | Russell | EP | 959014 | 11/1999 |
| 2003/0201198 A1 | 10/2003 | Gantert | EP | 1073129 | 1/2001 |
| 2003/0222082 A1 | 12/2003 | Sanderson | EP | 999927 | 9/2002 |
| 2004/0079660 A1 | 4/2004 | Sauey et al. | EP | 1238776 | 9/2002 |
| 2004/0083778 A1 | 5/2004 | Loeff et al. | EP | 1389725 | 2/2004 |
| 2004/0099497 A1 | 5/2004 | Parker et al. | EP | 1389726 | 2/2004 |
| 2004/0104136 A1 | 6/2004 | Schonenbach | EP | 1541918 | 6/2005 |
| 2004/0104137 A1 | 6/2004 | Schonenbach | ES | 2104268 | 10/1997 |
| 2004/0144664 A1 * | 7/2004 | Hammill 206/317 | ES | 2172568 | 10/2002 |
| 2004/0149605 A1 | 8/2004 | Ohtaki et al. | ES | 2183564 | 3/2003 |
| 2004/0173655 A1 | 9/2004 | Markson | FR | 2577773 | 8/1986 |
| 2004/0195125 A1 | 10/2004 | Sanderson | IL | 119659 | 1/2001 |

FOREIGN PATENT DOCUMENTS

US D559,545 S

Page 4

| | | | | | |
|----|-----------|---------|----|------------|---------|
| IT | 1187319 | 12/1987 | WO | WO9940385 | 8/1999 |
| WO | WO9010954 | 9/1990 | WO | WO9961217 | 12/1999 |
| WO | WO9100221 | 1/1991 | WO | WO0049359 | 8/2000 |
| WO | WO9100828 | 1/1991 | WO | WO0065292 | 11/2000 |
| WO | WO9205077 | 4/1992 | WO | WO04044355 | 5/2004 |
| WO | WO9846499 | 10/1998 | | | |
| WO | WO9927381 | 6/1999 | | | |
| WO | WO9936324 | 7/1999 | | | |

* cited by examiner

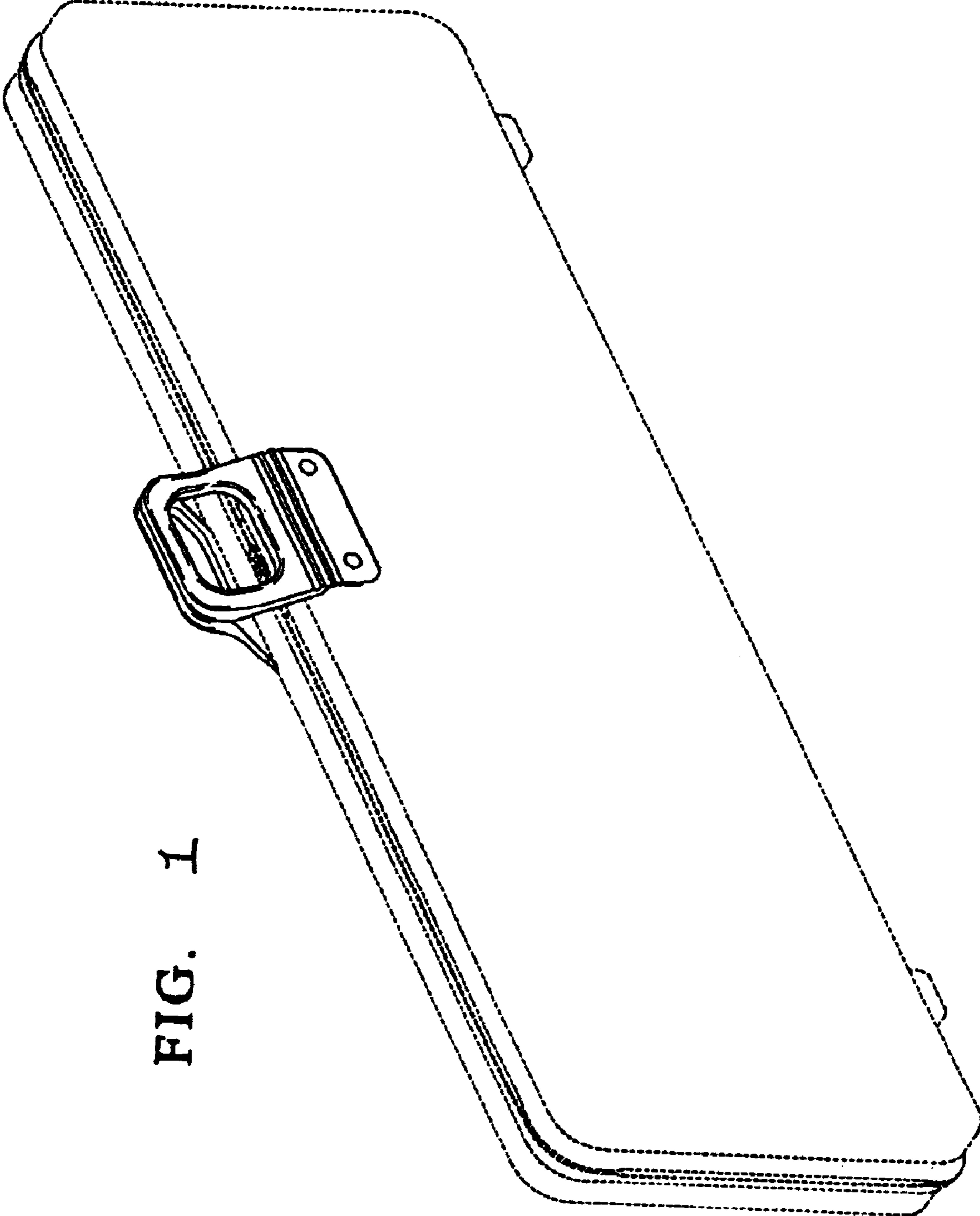


FIG. 1

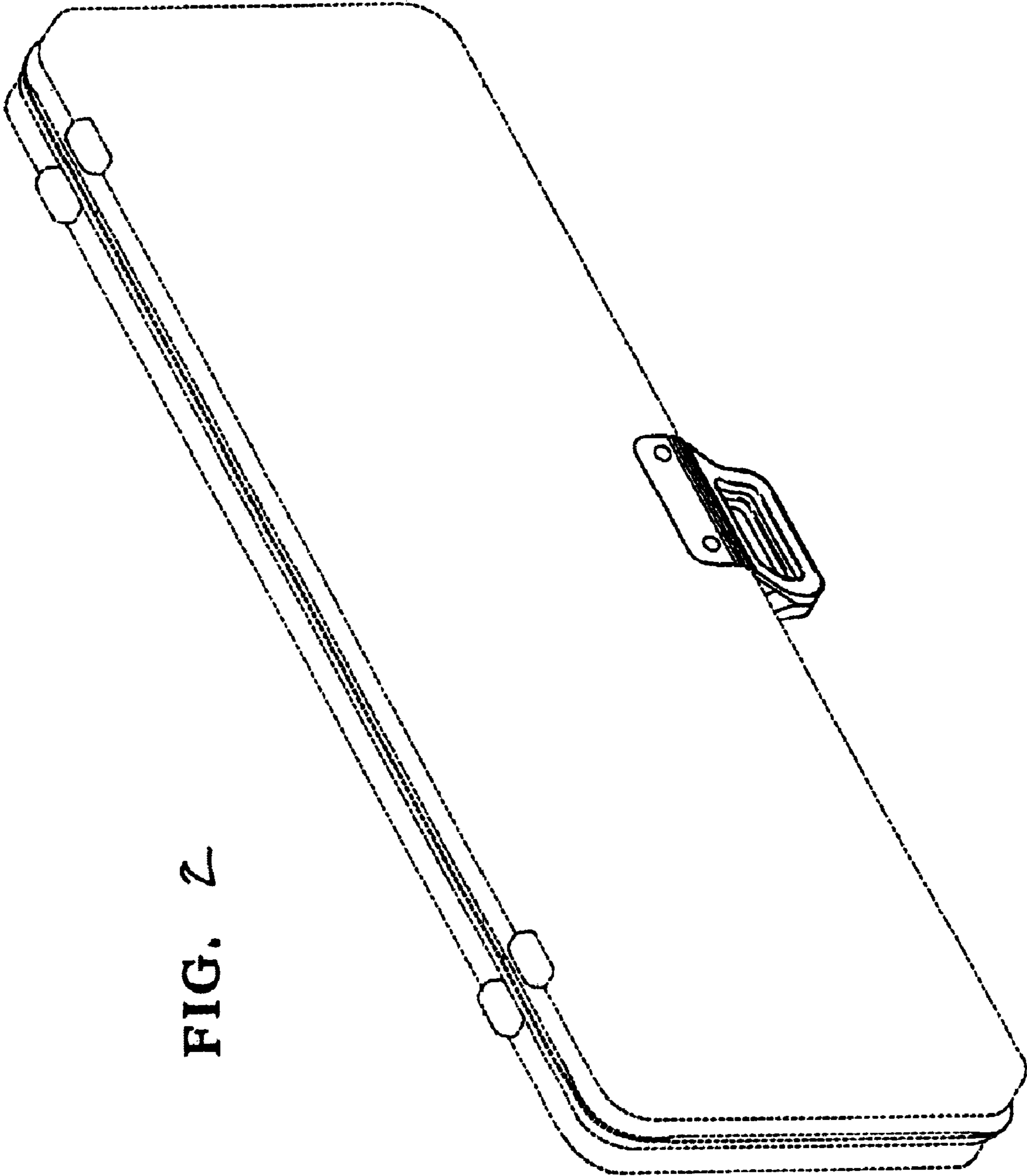


FIG. 2

FIG. 3

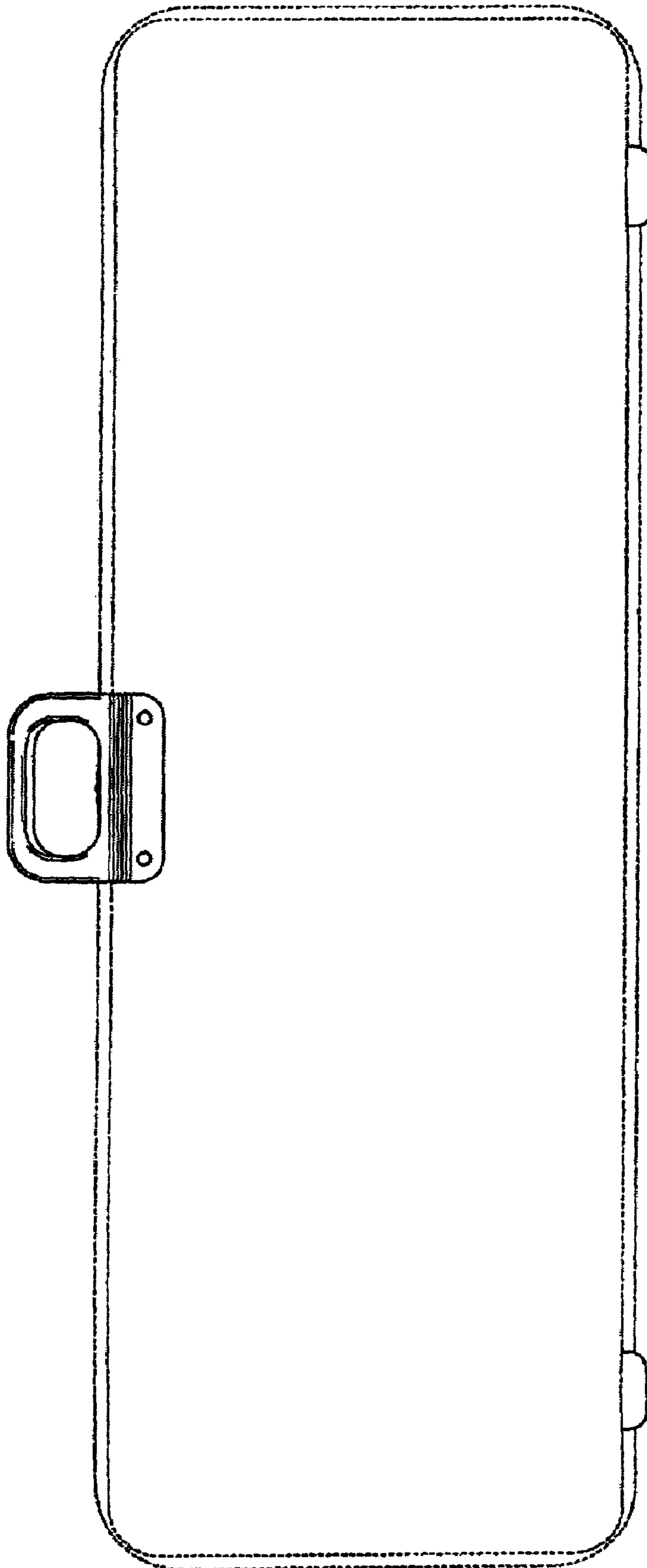


FIG. 4

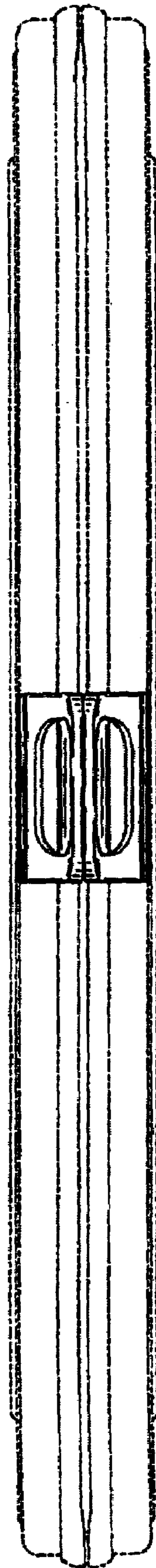


FIG. 5

