



US00D559544S

(12) **United States Design Patent**  
**Allen**

(10) **Patent No.:** **US D559,544 S**  
(45) **Date of Patent:** **\*\* Jan. 15, 2008**

(54) **CONTAINER**  
(75) **Inventor:** **Richard E. Allen**, Colleyville, TX (US)  
(73) **Assignee:** **Boyt Harness Company, L.L.C.**,  
Osceola, IA (US)

3,907,108 A 9/1975 Weimer, Jr.  
3,993,507 A 11/1976 Hardigg  
4,066,401 A 1/1978 Solomon  
4,074,380 A 2/1978 Parker  
4,118,265 A 10/1978 Hardigg  
4,119,199 A 10/1978 Whitaker, Jr.  
4,162,004 A 7/1979 Thomas

(\*\*) **Term:** **14 Years**

(Continued)

(21) **Appl. No.:** **29/248,080**

**FOREIGN PATENT DOCUMENTS**

(22) **Filed:** **Jul. 27, 2006**

CA 962974 2/1975

(Continued)

(51) **LOC (8) Cl.** ..... **03-01**

(52) **U.S. Cl.** ..... **D3/254; D3/262; D3/289**

(58) **Field of Classification Search** ..... **D3/254,**  
**D3/262, 276, 289, 292, 294, 904, 905; 206/3,**  
**206/314, 315.1, 315.11, 316.1, 317, 523;**  
**190/900; 224/910-913, 931**

See application file for complete search history.

**OTHER PUBLICATIONS**

Gun Guard—Double Rifle Case at CTI Warehouse Network. Down-  
loaded May 18, 2007 at <http://www.bow-gun-hunting-sports.com/dyn.htm>.\*

*Primary Examiner*—Gary D. Watson

*Assistant Examiner*—RoseLynne (Ulm) Cody

(74) *Attorney, Agent, or Firm*—Bell, Boyd & Lloyd LLP

(56) **References Cited**

**U.S. PATENT DOCUMENTS**

2,499,497 A 3/1950 Gross  
2,519,662 A \* 8/1950 Kempken ..... 206/317  
3,307,755 A \* 3/1967 Lentz ..... 206/317  
3,369,721 A 2/1968 Lentz  
3,387,698 A 6/1968 Hendricks et al.  
3,437,247 A 4/1969 Hardigg  
3,441,125 A 4/1969 Small  
3,445,553 A 5/1969 Hardigg  
3,540,508 A 11/1970 Couch  
3,570,703 A 3/1971 MacRae  
3,669,336 A 6/1972 Robinson  
3,690,540 A 9/1972 Hardigg  
3,701,371 A 10/1972 Stackhouse  
3,731,818 A 5/1973 Young  
3,744,687 A 7/1973 Oreck  
3,780,487 A 12/1973 Munson  
3,811,562 A 5/1974 Smith  
3,865,166 A 2/1975 Pedro  
3,896,987 A 7/1975 Soja

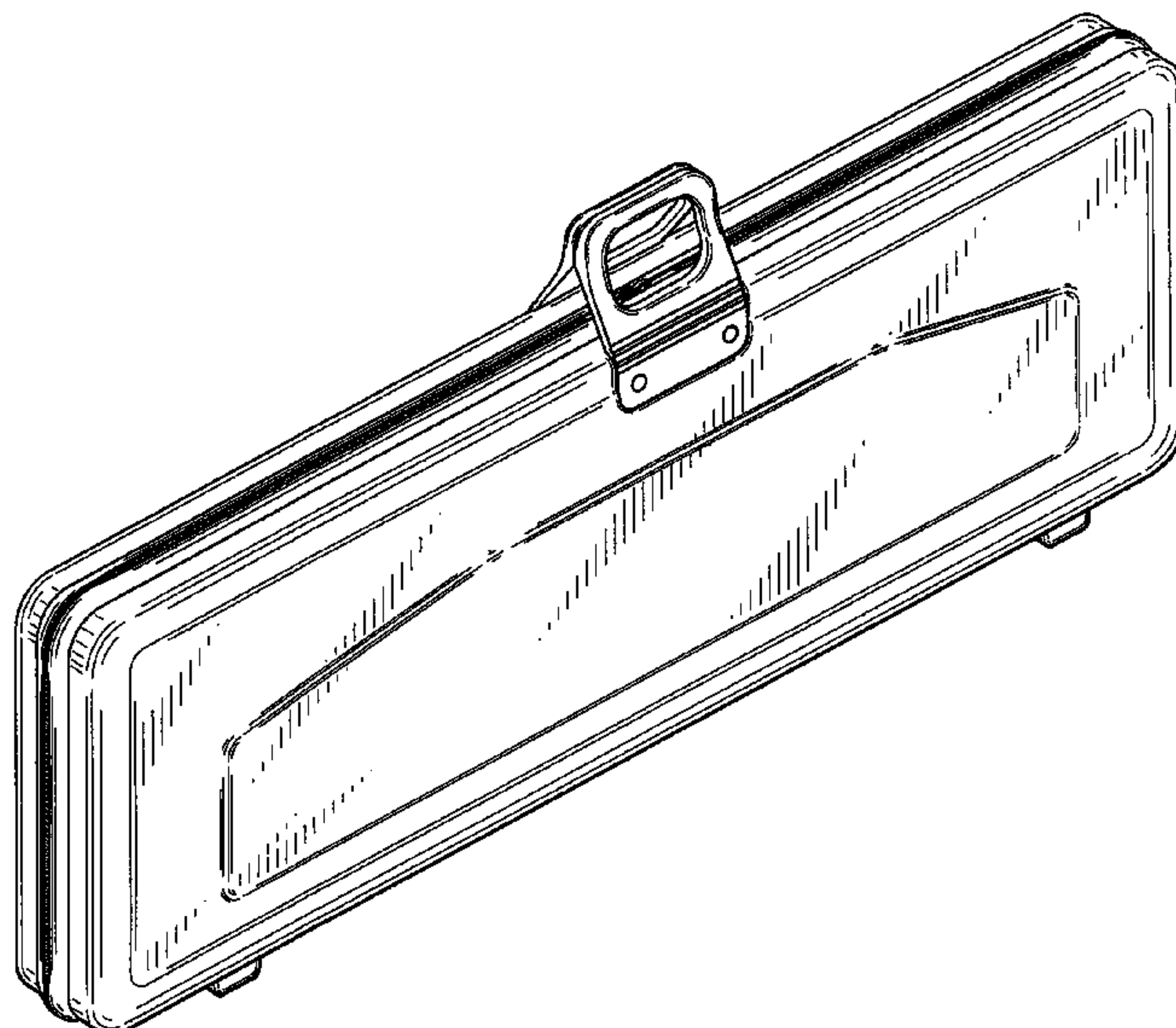
(57) **CLAIM**

The ornamental design for a container, as shown and described.

**DESCRIPTION**

FIG. 1 is a front, top perspective view of the container.  
FIG. 2 is a rear, bottom perspective view of the container of FIG. 1.  
FIG. 3 is a front elevation view of the container of FIG. 1.  
FIG. 4 is a top view of the container of FIG. 1.  
FIG. 5 is a bottom view of the container of FIG. 1; and,  
FIG. 6 is a left side elevation view of the container of FIG. 1, the right side being a mirror image thereof.

**1 Claim, 5 Drawing Sheets**



# US D559,544 S

Page 2

U.S. PATENT DOCUMENTS					
			5,416,284 A	5/1995	Steele et al.
4,180,232 A	12/1979	Hardigg	5,431,970 A	7/1995	Brown et al.
4,257,464 A	3/1981	Binney	D360,757 S	8/1995	Snetting et al.
4,276,360 A	6/1981	Hardigg et al.	D362,805 S	10/1995	Hardigg
4,284,202 A	8/1981	Barstow, Jr.	5,458,266 A	10/1995	Pichot
D264,002 S	4/1982	Hardigg	5,461,755 A	10/1995	Hardigg et al.
4,331,748 A	5/1982	Hardigg et al.	5,466,316 A	11/1995	Hardigg et al.
4,337,024 A	6/1982	Turner et al.	5,488,799 A	2/1996	Hauschild
4,349,105 A	9/1982	Bradley et al.	5,505,355 A	4/1996	Williams
4,352,977 A	10/1982	Hardigg et al.	5,551,562 A	9/1996	Beretta
4,380,577 A	4/1983	Hardigg	D376,474 S	12/1996	Marks
4,390,384 A	6/1983	Turner	5,584,424 A	12/1996	Stava
4,419,321 A	12/1983	Hardigg	5,619,819 A	4/1997	Hauschild
4,439,263 A	3/1984	Hardigg et al.	D383,558 S	9/1997	Parker
4,446,900 A	5/1984	Markovich	5,662,219 A	9/1997	Tschudy et al.
4,463,847 A	8/1984	Gordon	5,662,220 A	9/1997	Schurman
4,475,247 A	10/1984	Lee	5,669,495 A	9/1997	West
4,489,833 A	12/1984	Bauer	5,671,830 A	9/1997	Wood
4,495,260 A	1/1985	Hardigg et al.	D385,108 S	10/1997	Tschudy
D278,189 S	4/1985	Frydenberg	5,678,344 A	10/1997	Jones et al.
4,530,178 A	7/1985	Rauscher	5,678,686 A	10/1997	Hagemann et al.
4,531,639 A	7/1985	Zopf	5,683,021 A	11/1997	Setina
4,548,392 A	10/1985	Rickling	5,736,221 A	4/1998	Hardigg et al.
4,553,464 A	11/1985	Turner et al.	D396,345 S	7/1998	Sanderson
4,680,682 A	7/1987	Parker	5,779,031 A	7/1998	Moraine et al.
4,702,029 A	10/1987	DeVaul et al.	D398,149 S	9/1998	Sanderson et al.
4,703,519 A *	10/1987	Krenzel ..... 383/97	5,806,673 A	9/1998	Sanderson
4,721,205 A	1/1988	Burt et al.	5,810,064 A	9/1998	Sanderson et al.
4,732,826 A	3/1988	Hardigg	5,829,586 A	11/1998	Mermell
4,741,972 A	5/1988	Hardigg	D402,068 S	12/1998	Parker
4,756,456 A	7/1988	Schauer	D402,462 S	12/1998	Sanderson
4,757,665 A	7/1988	Hardigg	5,873,480 A	2/1999	Wells, Jr.
RE32,752 E	9/1988	Kiang	5,881,874 A	3/1999	McKinney
4,788,838 A	12/1988	Cislo	D407,557 S *	4/1999	Jones ..... D3/294
4,842,134 A *	6/1989	Chang ..... 206/315.1	5,924,565 A	7/1999	Colee
4,858,361 A	8/1989	White	5,927,361 A	7/1999	Sanderson et al.
4,860,479 A	8/1989	Easter	6,009,654 A	1/2000	Williams et al.
D303,846 S	10/1989	Parker	6,009,996 A	1/2000	Purdy
4,871,628 A	10/1989	Parker	6,135,277 A	10/2000	Armstrong
4,890,466 A	1/1990	Cislo	6,145,719 A	11/2000	Robert
4,998,636 A	3/1991	Hardigg	6,158,745 A	12/2000	Deighton
5,012,553 A	5/1991	Hardigg et al.	D436,417 S	1/2001	Parker
5,027,967 A	7/1991	Tellas	D437,065 S	1/2001	Parker
D320,113 S	9/1991	VanSkiver	6,179,438 B1	1/2001	Parker
5,048,682 A	9/1991	Taylor	6,183,105 B1	2/2001	Parker
D320,306 S *	10/1991	Schwartz ..... D3/289	6,186,641 B1	2/2001	Parker
5,071,444 A	12/1991	Gaydos	D439,048 S	3/2001	Sanderson
5,118,175 A	6/1992	Costello	D439,407 S	3/2001	Parker
D327,646 S	7/1992	Hardigg et al.	D439,690 S	3/2001	Parker
5,161,396 A	11/1992	Loeff	6,203,075 B1	3/2001	Wells, Jr. et al.
5,168,994 A	12/1992	Beletsky et al.	6,210,829 B1	4/2001	Hardigg
5,172,575 A	12/1992	Fisher	D441,954 S	5/2001	Parker
5,203,449 A	4/1993	Bonardi	D442,307 S	5/2001	Parker
D336,984 S *	7/1993	VanSkiver ..... D3/262	6,224,235 B1	5/2001	Parker
5,236,086 A	8/1993	MacTaggart	6,230,925 B1	5/2001	Hardigg et al.
5,296,075 A	3/1994	Hardigg et al.	6,244,432 B1	6/2001	Saari et al.
D345,845 S	4/1994	Strzegowski, Jr.	D445,925 S	7/2001	Parker
5,299,722 A	4/1994	Cheney	6,253,915 B1	7/2001	Mesica et al.
D347,114 S *	5/1994	Tengvall ..... D3/281	6,260,300 B1	7/2001	Klebes et al.
D347,322 S	5/1994	Fiore	D446,184 S	8/2001	Parker
D350,618 S	9/1994	Parker	D446,936 S	8/2001	Sanderson et al.
5,344,010 A	9/1994	Dyer et al.	D448,164 S *	9/2001	Kolpin ..... D3/262
5,349,507 A	9/1994	Parker	6,283,287 B1 *	9/2001	Carl ..... 206/314
5,349,512 A	9/1994	Parker	D448,565 S	10/2001	Sanderson
5,370,254 A	12/1994	Hardigg et al.	D449,394 S	10/2001	Parker
5,375,440 A	12/1994	Patterson	D451,223 S	11/2001	Parker
D356,676 S	3/1995	Sanderson	6,332,997 B1	12/2001	Hardigg et al.
D357,117 S	4/1995	Huang	RE37,518 E	1/2002	Hardigg et al.
D357,180 S	4/1995	Stover	6,350,040 B1	2/2002	Parker
5,404,281 A	4/1995	Parker	D456,921 S	5/2002	Parker et al.
5,410,457 A	4/1995	Parker	D456,922 S	5/2002	Parker et al.
D358,255 S *	5/1995	Sharp et al. .... D3/262	D462,472 S	9/2002	Parker et al.
			D462,519 S	9/2002	Gaydos et al.



# US D559,544 S

D464,196 S	10/2002	Parker	2004/0104137 A1	6/2004	Schonenbach	
D465,330 S	11/2002	Parker	2004/0144664 A1*	7/2004	Hammill .....	206/317
D465,923 S *	11/2002	Pangerc et al. ....	2004/0149605 A1	8/2004	Ohtaki et al.	
D467,424 S	12/2002	Hardigg et al.	2004/0173655 A1	9/2004	Markson	
D467,425 S	12/2002	Hardigg et al.	2004/0195125 A1	10/2004	Sanderson	
D467,426 S	12/2002	Hardigg et al.	2004/0195999 A1	10/2004	Parker	
6,488,148 B1	12/2002	Woodson	2004/0197648 A1	10/2004	Sciutto	
D471,355 S	3/2003	Sanderson et al.	2004/0226793 A1	11/2004	Tilby et al.	
6,527,309 B1	3/2003	Gaydos et al.	2005/0001435 A1	1/2005	Parker et al.	
6,536,912 B2	3/2003	Parker	2005/0011786 A1	1/2005	Wood et al.	
D472,384 S	4/2003	Richardson	2005/0092632 A1	5/2005	Stanton et al.	
D473,009 S	4/2003	Jarrett	2005/0123220 A1	6/2005	Smith	
6,547,070 B1	4/2003	Kolpin	2005/0123830 A1	6/2005	Hardigg et al.	
6,557,702 B1	5/2003	Sanderson et al.	2005/0128738 A1	6/2005	Parker et al.	
6,570,501 B2	5/2003	Bushnell et al.	2005/0152134 A1	7/2005	Parker et al.	
D477,141 S	7/2003	Gantert	2005/0172681 A1	8/2005	Tonelli	
6,601,680 B2	8/2003	Japchen	2005/0184703 A1	8/2005	Parker	
D479,398 S	9/2003	Sanderson	2005/0230395 A1	10/2005	Parker et al.	
6,612,412 B2	9/2003	Sanderson et al.	2005/0254238 A1	11/2005	Parker et al.	
6,622,881 B2	9/2003	Hardigg	2005/0257678 A1	11/2005	Camp	
6,626,339 B2	9/2003	Gates et al.	2006/0011641 A1	1/2006	Sanderson	
D482,529 S	11/2003	Hardigg et al.	2006/0017293 A1	1/2006	Tonelli	
6,646,864 B2	11/2003	Richardson	2006/0026795 A1	2/2006	Tonelli	
D483,948 S	12/2003	Parker	2006/0042897 A1	3/2006	Sanderson	
D484,304 S	12/2003	Sanderson	2006/0054532 A1	3/2006	Ochi	
6,659,495 B1	12/2003	Sanderson	2006/0060588 A1	3/2006	Tonelli	
6,662,944 B2	12/2003	Hagemann et al.	2006/0065560 A1	3/2006	Dickinson et al.	
D485,069 S	1/2004	Parker				
D485,626 S	1/2004	Parker				
6,698,608 B2	3/2004	Parker et al.				
6,722,496 B2	4/2004	Gantert	CA	1077132	5/1980	
6,729,489 B2	5/2004	Sanderson	CA	1130071	8/1982	
D491,724 S	6/2004	Sanderson	CA	1139912	1/1983	
D492,184 S	6/2004	Parker et al.	CA	1157086	11/1983	
6,752,514 B2	6/2004	Parker	CA	1162253	2/1984	
6,829,917 B2	12/2004	Russell	CA	1162606	2/1984	
D500,875 S	1/2005	Parker et al.	CA	2035439	1/1991	
6,843,081 B1	1/2005	Painter	CA	2037274	10/1991	
6,845,640 B2	1/2005	Loeff et al.	CA	2128663	5/1995	
6,874,628 B2	4/2005	Hammill	CA	2143565	8/1995	
6,909,260 B2	6/2005	Parker	CA	2181669	1/1997	
6,953,126 B2	10/2005	Parker et al.	CA	2307662	7/1999	
6,955,381 B2	10/2005	Parker et al.	CA	2272481	11/1999	
D513,084 S	12/2005	Parker et al.	CA	2297952	12/1999	
D513,123 S	12/2005	Richardson et al.	CA	2314708	1/2001	
D513,451 S	1/2006	Richardson et al.	CA	2388249	12/2002	
D514,808 S	2/2006	Morine et al.	CA	2391058	3/2003	
6,995,976 B2	2/2006	Richardson	DE	69526071	11/2002	
D516,309 S	3/2006	Richardson et al.	DE	10238155	11/2003	
D516,553 S	3/2006	Richardson et al.	DE	10238157	11/2003	
D516,554 S	3/2006	Richardson et al.	DE	69625286	11/2003	
D516,807 S	3/2006	Richardson et al.	DE	20212808	1/2004	
7,063,737 B2 *	6/2006	Tilby et al. ....	DE	20212810	1/2004	
2001/0052711 A1	12/2001	Bingman	DE	202004010232	9/2004	
2002/0064041 A1	5/2002	Parker	DE	202005003382	6/2005	
2002/0149930 A1	10/2002	Parker	DE	19981898	7/2005	
2002/0190066 A1	12/2002	Hardigg	DE	69918370	7/2005	
2003/0035286 A1	2/2003	Parker	DE	202005004058	8/2005	
2003/0052124 A1	3/2003	Gaydos	DE	102005034405	3/2006	
2003/0057122 A1	3/2003	Bushnell et al.	DE	102005043922	3/2006	
2003/0080124 A1	5/2003	Parker	EP	97410	1/1984	
2003/0085140 A1	5/2003	Hagemann et al.	EP	611079	8/1994	
2003/0106819 A1	6/2003	Bennett	EP	431147	5/1995	
2003/0111369 A1 *	6/2003	Markowitz, Jr. ....	EP	654414	5/1995	
2003/0111370 A1	6/2003	Sanderson et al.	EP	744854	11/1996	
2003/0121741 A1	7/2003	Japchen	EP	754540	1/1997	
2003/0159954 A1	8/2003	Russell	EP	959014	11/1999	
2003/0201198 A1	10/2003	Gantert	EP	1073129	1/2001	
2003/0222082 A1	12/2003	Sanderson	EP	999927	9/2002	
2004/0079660 A1	4/2004	Sauey et al.	EP	1238776	9/2002	
2004/0083778 A1	5/2004	Loeff et al.	EP	1389725	2/2004	
2004/0099497 A1	5/2004	Parker et al.	EP	1389726	2/2004	
2004/0104136 A1	6/2004	Schonenbach	EP	1541918	6/2005	

## FOREIGN PATENT DOCUMENTS

# US D559,544 S

Page 4

---

ES	2104268	10/1997	WO	WO9846499	10/1998
ES	2172568	10/2002	WO	WO9927381	6/1999
ES	2183564	3/2003	WO	WO9936324	7/1999
FR	2577773	8/1986	WO	WO9940385	8/1999
IL	119659	1/2001	WO	WO9961217	12/1999
IT	1187319	12/1987	WO	WO0049359	8/2000
WO	WO9010954	9/1990	WO	WO0065292	11/2000
WO	WO9100221	1/1991	WO	WO2004044355	5/2004
WO	WO9100828	1/1991			
WO	WO9205077	4/1992			

\* cited by examiner

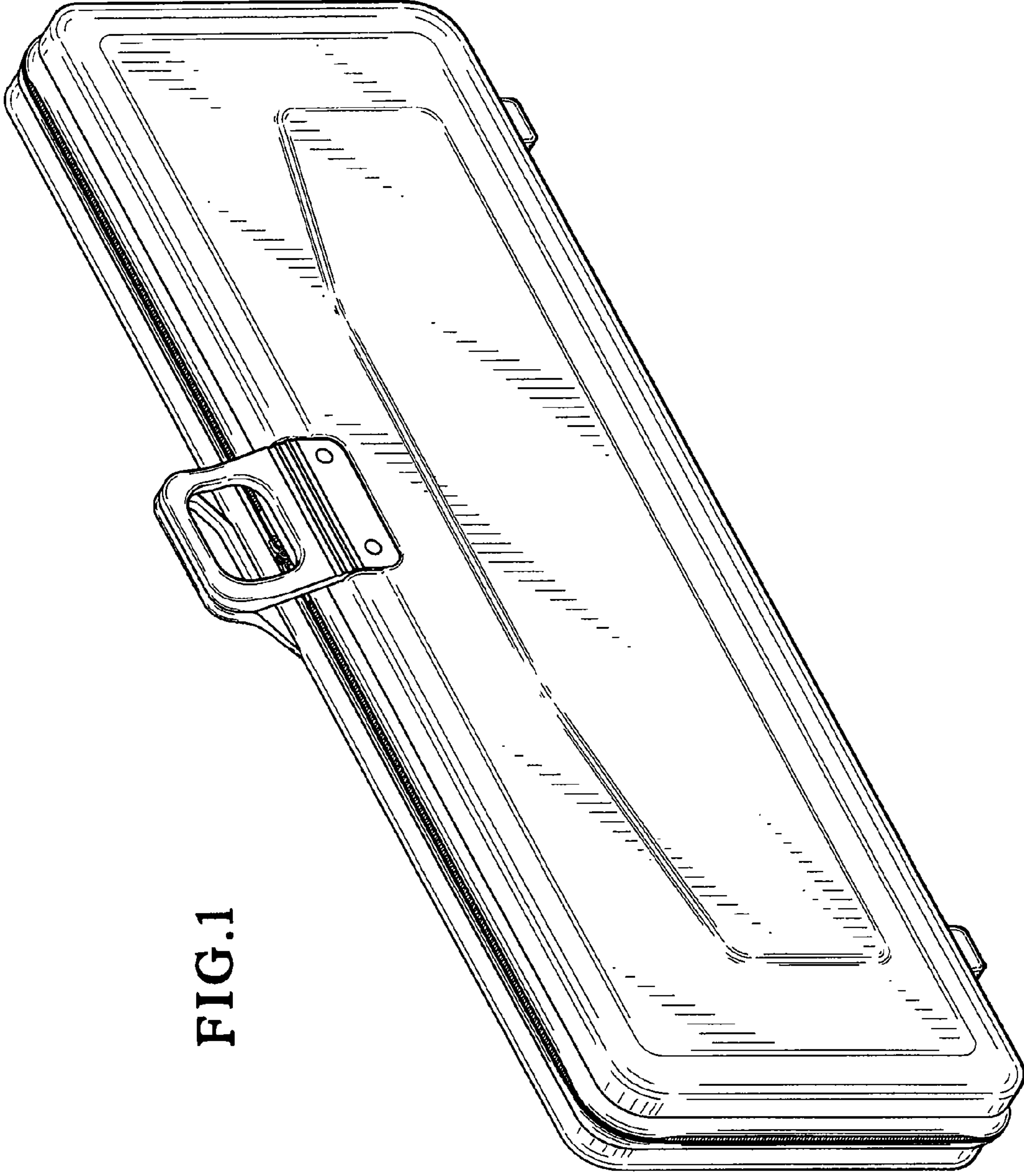


FIG.1



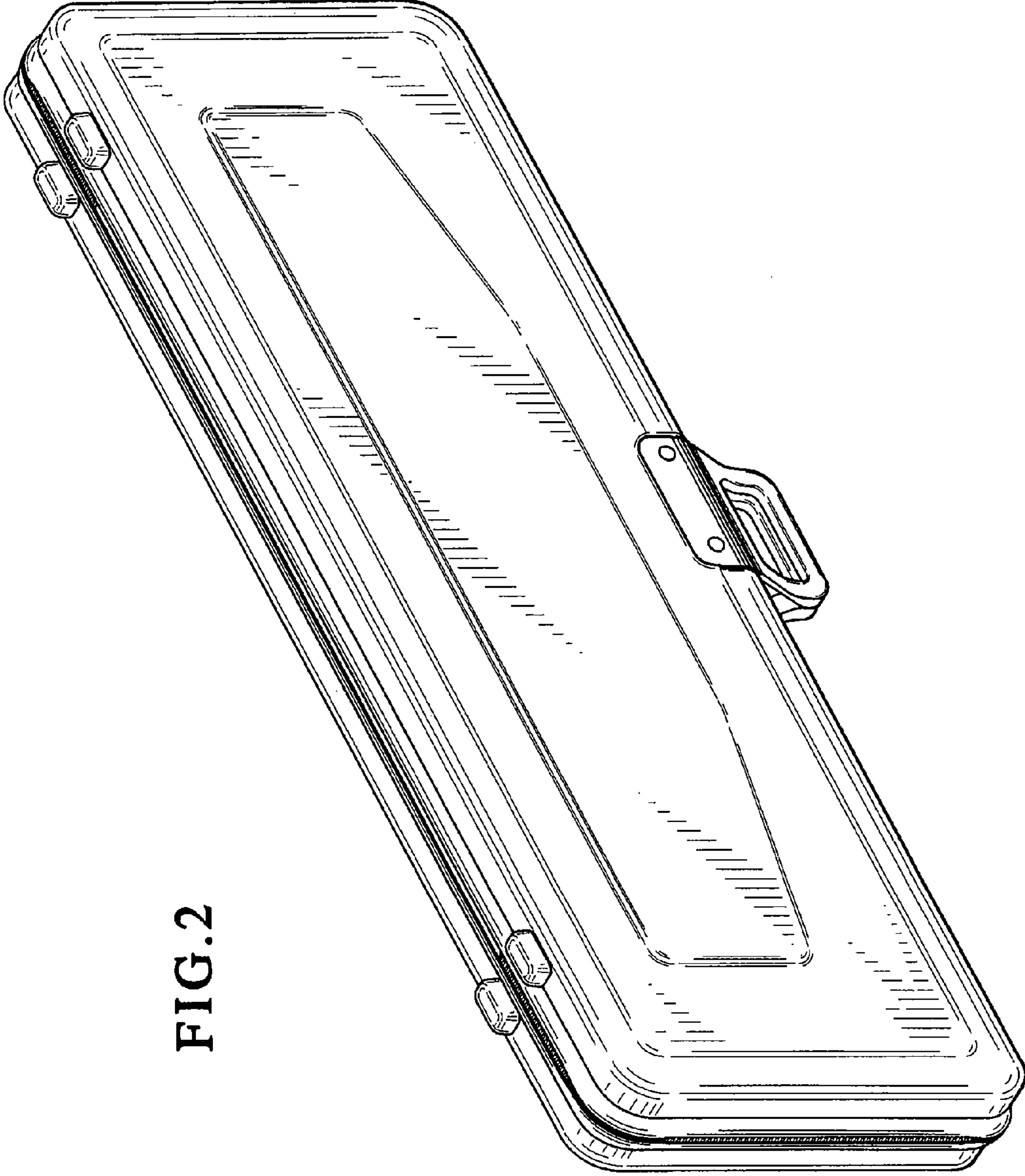


FIG.2

FIG. 3

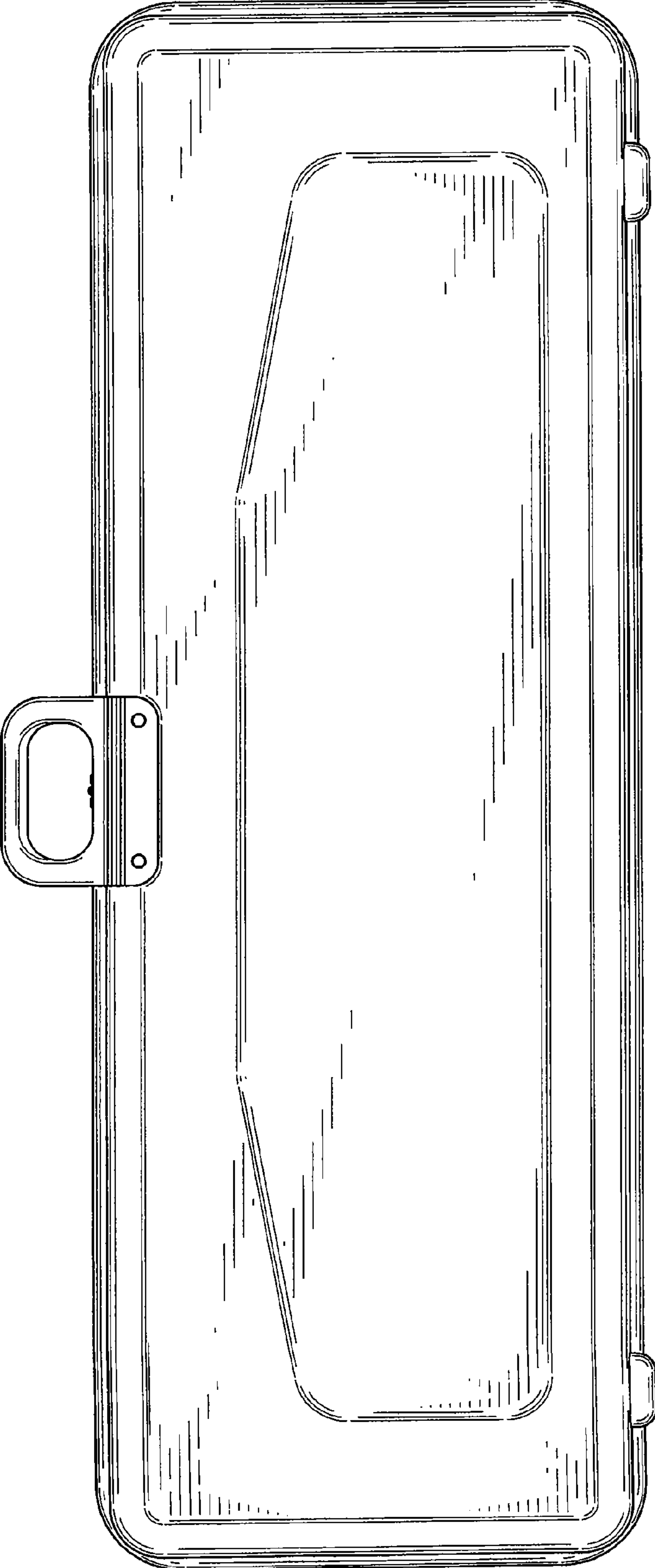


FIG.4

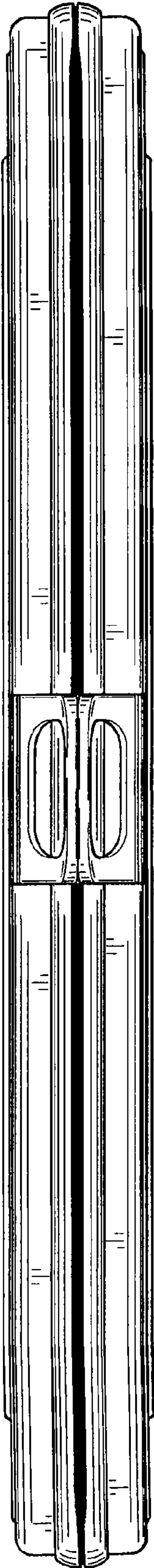


FIG.5





**FIG. 6**

