



US00D559541S

(12) **United States Design Patent**
Clark

(10) **Patent No.:** **US D559,541 S**
(45) **Date of Patent:** **** Jan. 15, 2008**

(54) **DIAPER BAG WITH POCKET BOOK FEATURES**

(76) Inventor: **Brenda R. Clark**, 1095 Webber St., Manning, SC (US) 29102

(**) Term: **14 Years**

(21) Appl. No.: **29/269,619**

(22) Filed: **Dec. 5, 2006**

(51) **LOC (8) Cl.** **03-01**

(52) **U.S. Cl.** **D3/245; D3/289; D3/283**

(58) **Field of Classification Search** D3/203.1, D3/203.6-203.7, 233, 245, 260, 262, 273-274, D3/276, 283-284, 287-290, 904-905; 150/106-107, 150/112, 117; 190/102-103, 109, 115; 224/407, 224/409, 575, 577-578, 580
See application file for complete search history.

(56) **References Cited**

U.S. PATENT DOCUMENTS

3,086,572	A	4/1963	Lubin	
D254,819	S *	4/1980	Harrison	D3/286
D282,602	S *	2/1986	Allen	D3/287
D293,508	S *	1/1988	Marconi	D3/243
D299,384	S	1/1989	Donnor	
4,961,522	A	10/1990	Weber	
D326,772	S *	6/1992	Kennedy	D3/233
D334,839	S *	4/1993	Dancyger	D3/303
D346,693	S	5/1994	Saltzman et al.	
5,402,869	A *	4/1995	Saltzman et al.	190/108
5,439,154	A	8/1995	Delligatti	
D381,201	S *	7/1997	Miller et al.	D3/287
5,702,038	A *	12/1997	Miller et al.	224/409
D390,700	S *	2/1998	Miller et al.	D3/246
5,813,445	A *	9/1998	Christman	150/106
D416,677	S *	11/1999	Christman	D3/246
D419,763	S *	2/2000	Wiebe	D3/233
6,213,268	B1	4/2001	Dancyger	
D444,627	S *	7/2001	Starck	D3/276

D444,945	S *	7/2001	Starck	D3/276
D447,632	S *	9/2001	Gisser	D3/289
6,283,183	B1	9/2001	Cooper	
6,298,993	B1	10/2001	Kalozdi	
D491,362	S *	6/2004	Van Himbeek	D3/289
6,810,933	B2 *	11/2004	Gordon et al.	150/112
D502,599	S *	3/2005	Cabana et al.	D3/292
D507,879	S *	8/2005	Santy et al.	D3/289
D510,188	S *	10/2005	Cunningham	D3/287
D521,729	S *	5/2006	Matthews	D3/269
D531,799	S *	11/2006	Adams et al.	D3/285

OTHER PUBLICATIONS

Piglet & Pooh Star Nights from Diaper Bags at Specialty Linens. Downloaded May 18, 2007 at <http://www.specialtylinens.com/bags.htm>.*

* cited by examiner

Primary Examiner—Philip S. Hyder
Assistant Examiner—RoseLynne (Ulm) Cody
(74) *Attorney, Agent, or Firm*—Lawrence J. Gibney, Jr.

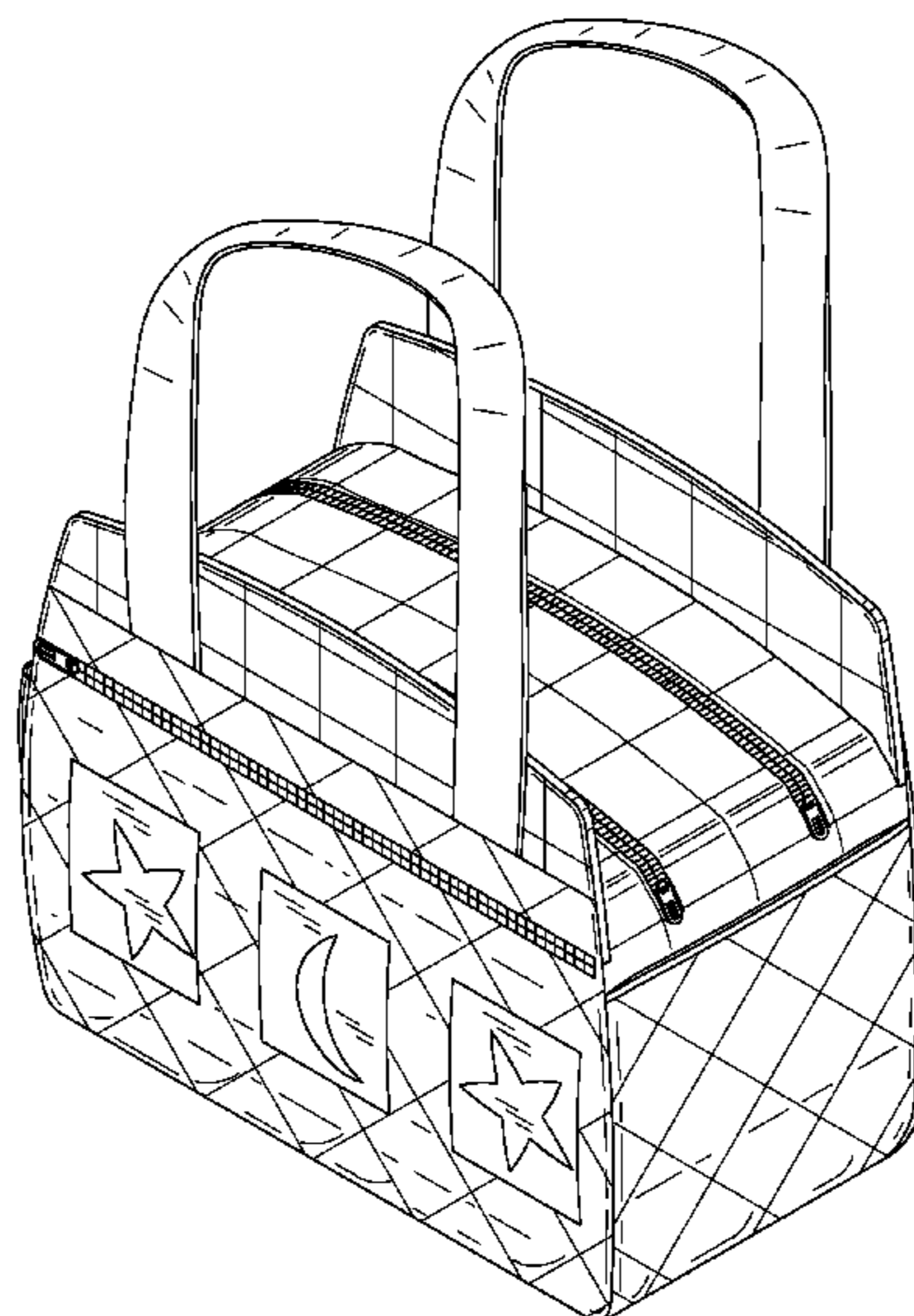
(57) **CLAIM**

The ornamental design for a diaper bag with pocket book features, as shown and described.

DESCRIPTION

FIG. 1 is a front elevational view of my new design for a diaper bag with pocket book features;
FIG. 2 is a back elevational view thereof;
FIG. 3 is a left side elevational view thereof;
FIG. 4 is a right side elevational view;
FIG. 5 is a top elevational view thereof;
FIG. 6 is a bottom elevational view thereof;
FIG. 7 is an isometric view thereof; and,
FIG. 8 is a back view with the back portion open.

1 Claim, 6 Drawing Sheets



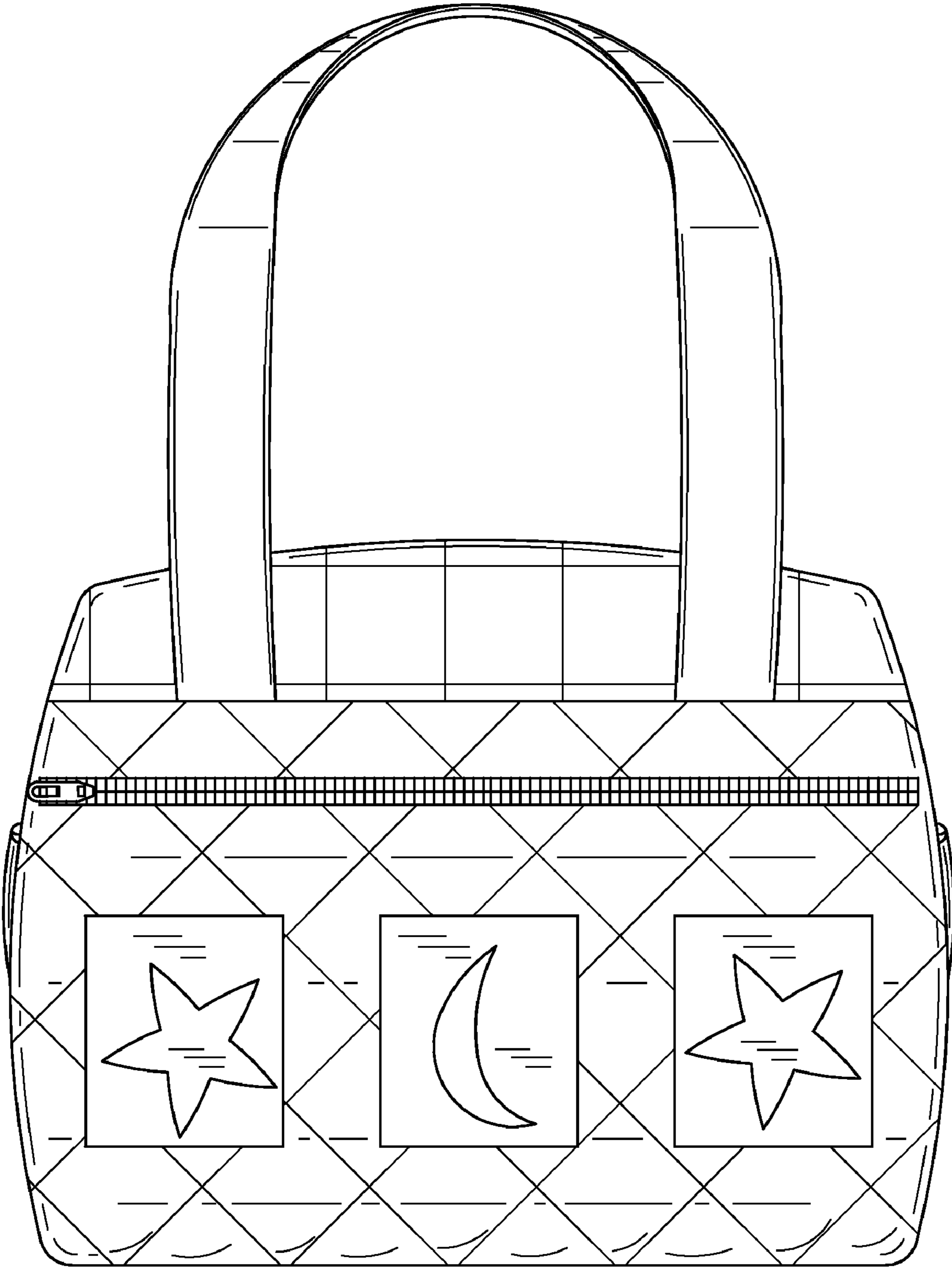


FIG. 1

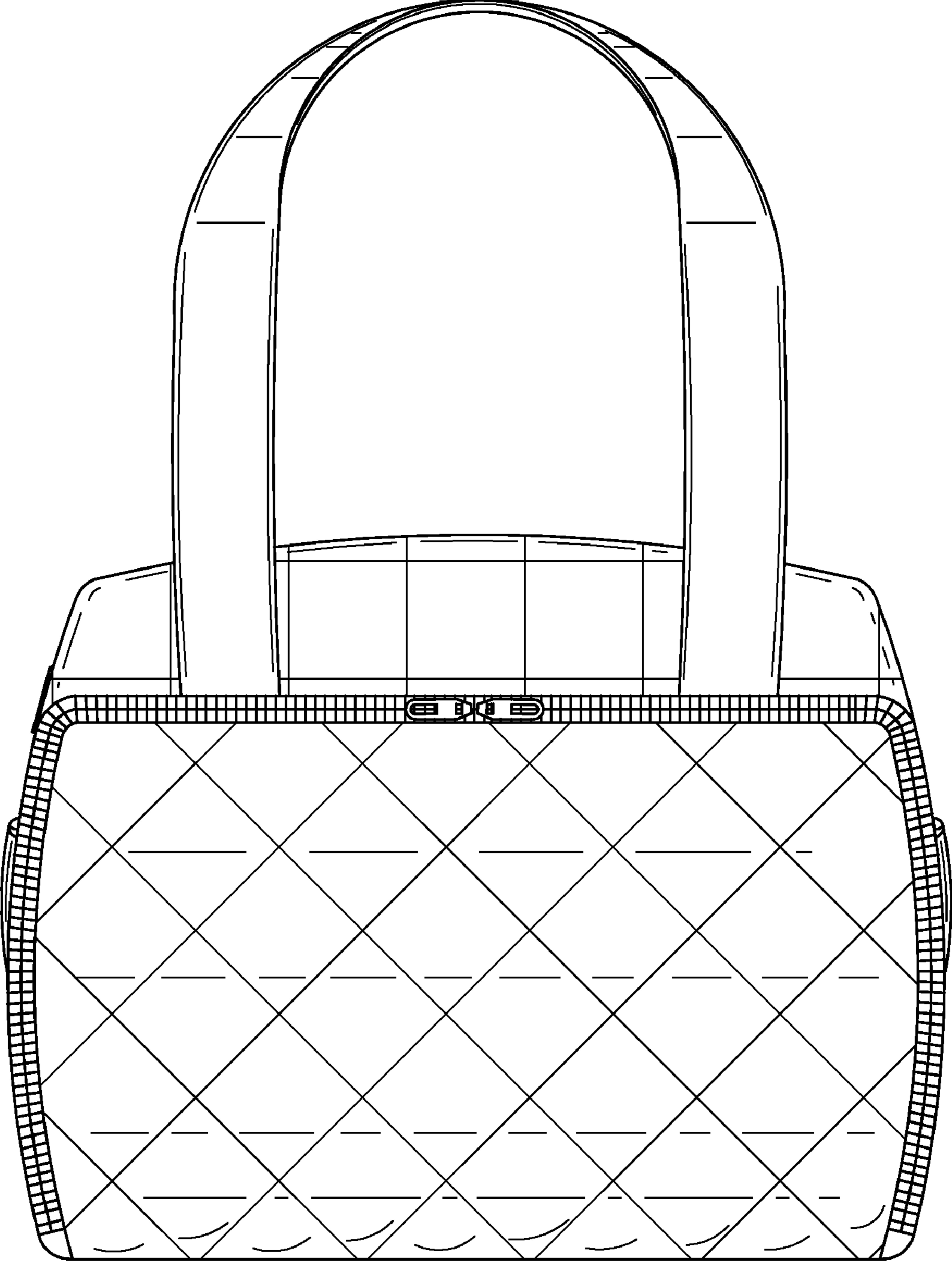


FIG. 2

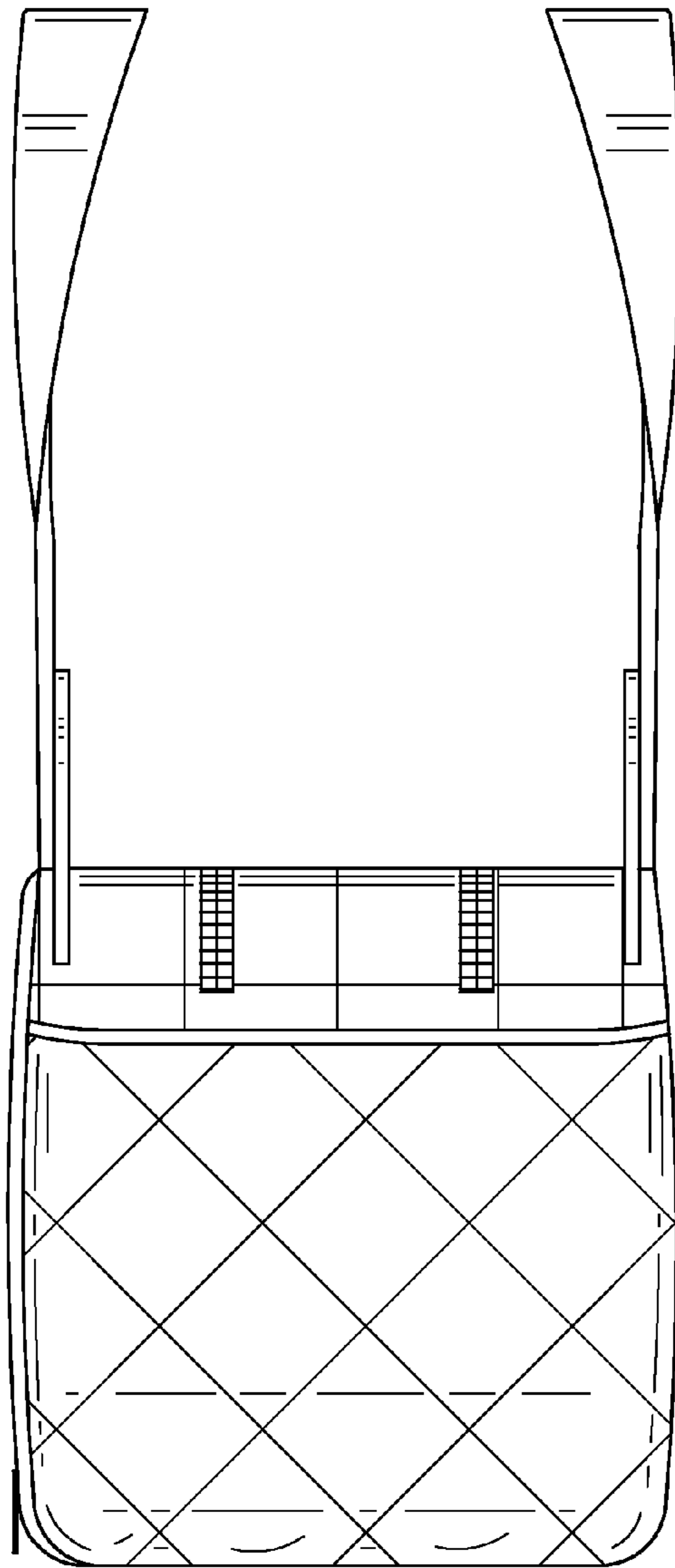


FIG. 3

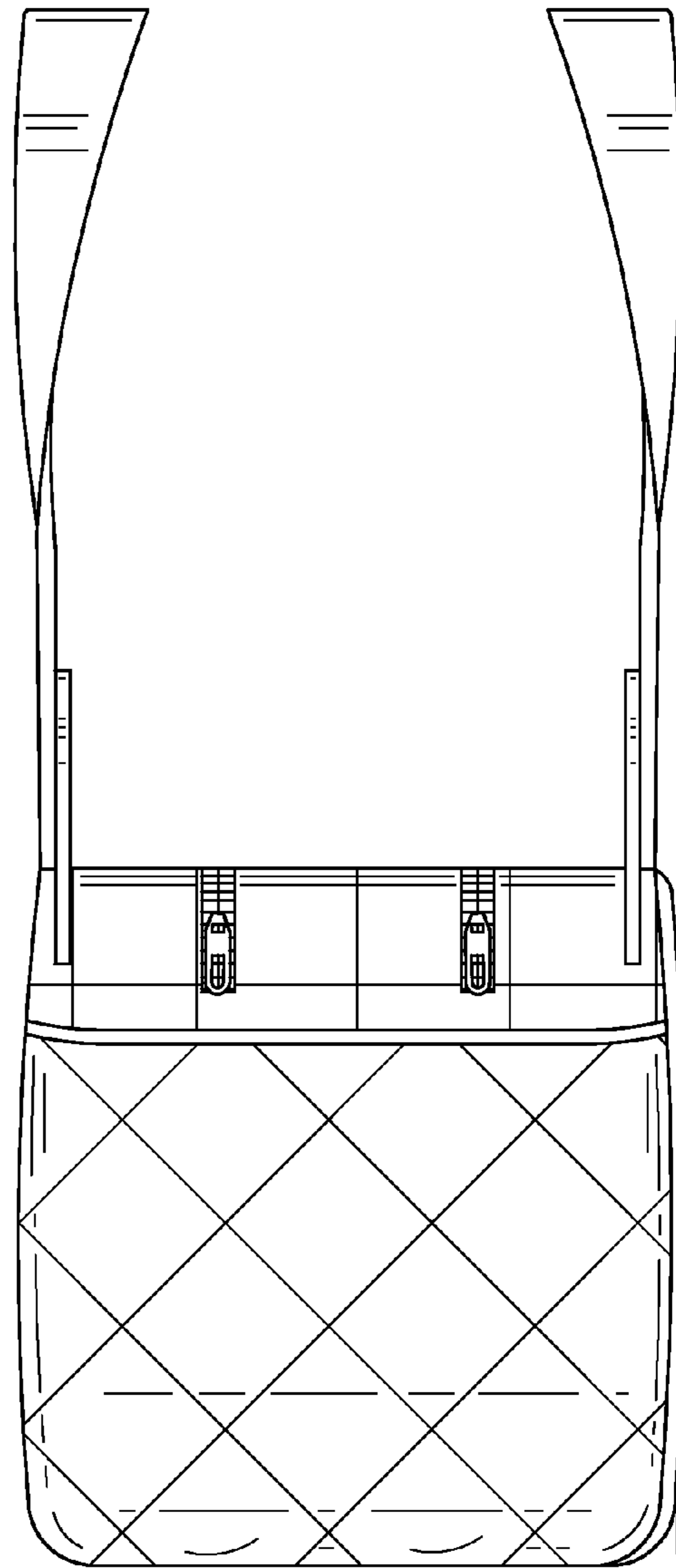


FIG. 4

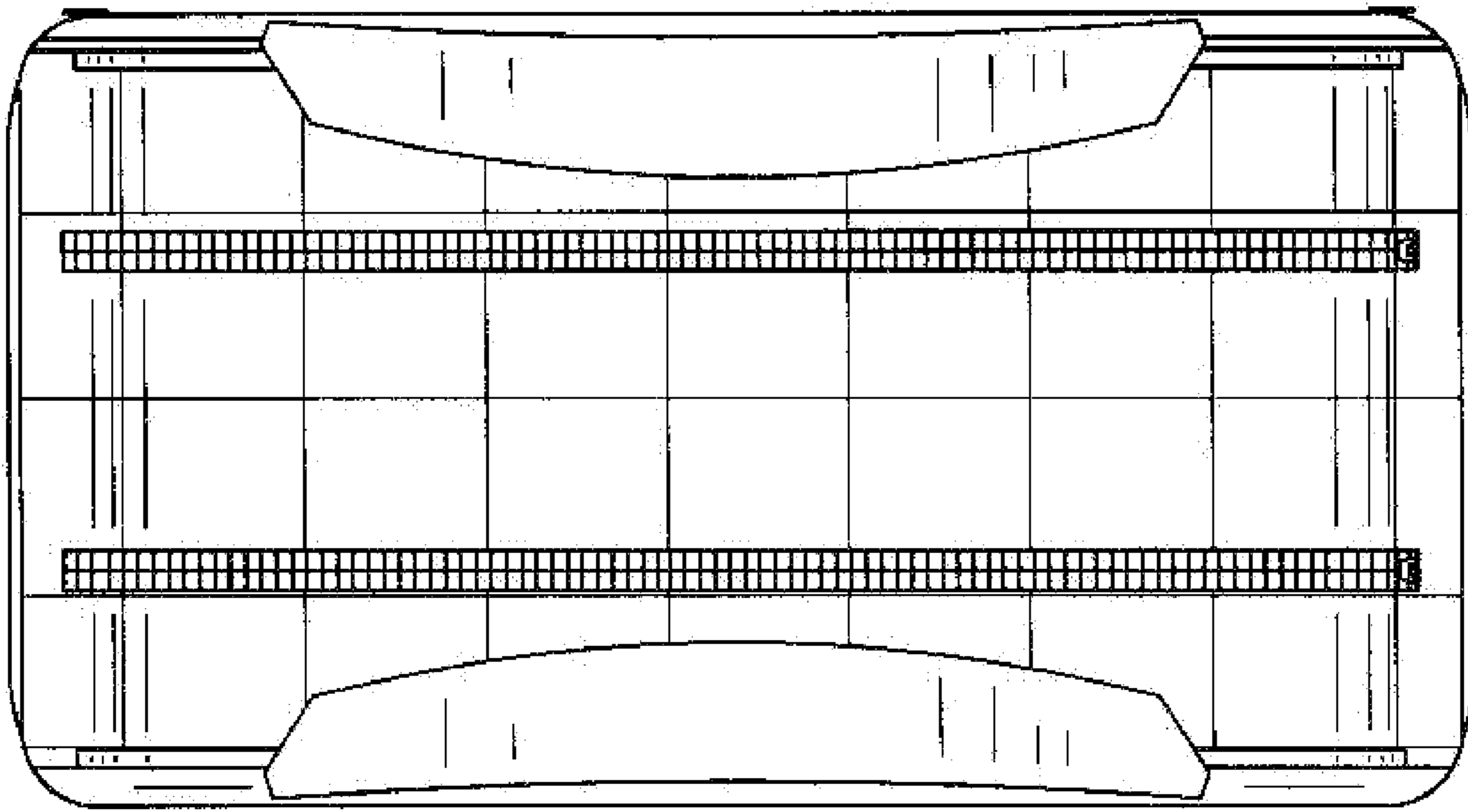


FIG. 5

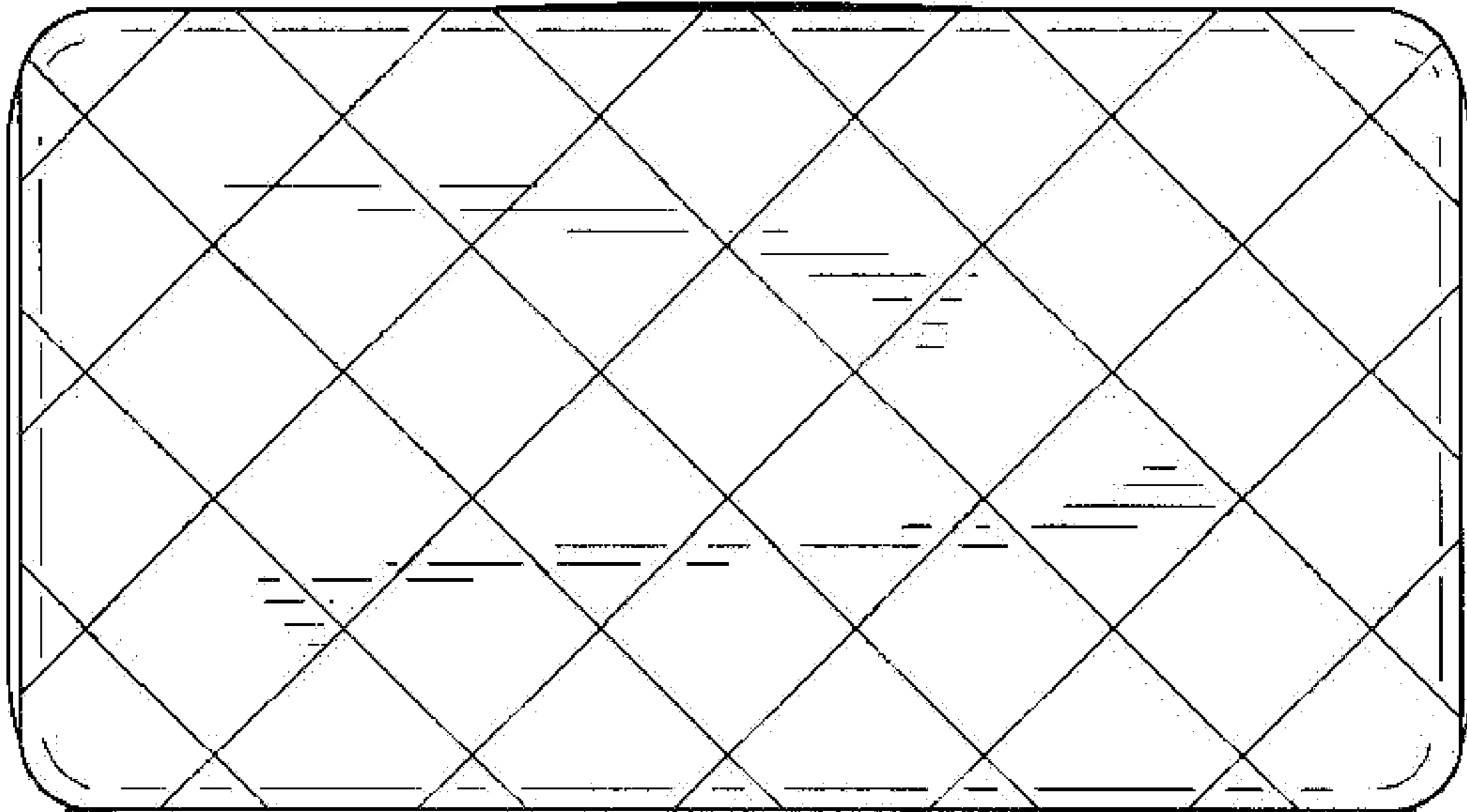


FIG. 6

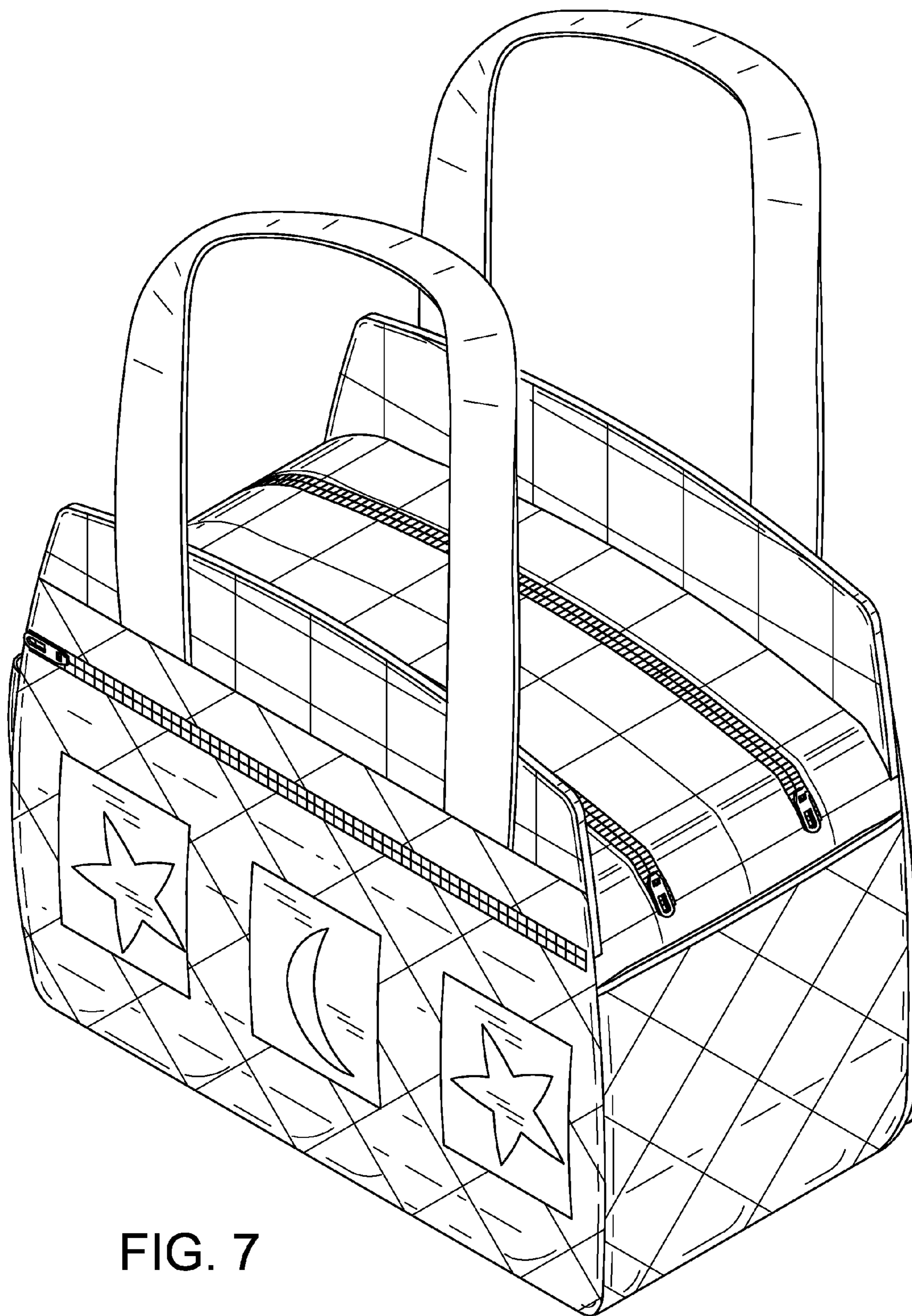


FIG. 7

FIG. 8

