



US00D559535S

(12) **United States Design Patent**
Gonzalez

(10) **Patent No.:** **US D559,535 S**
(45) **Date of Patent:** **** Jan. 15, 2008**

(54) **HANDBAG**

D540,034 S * 4/2007 Gonzalez D3/243
D541,528 S * 5/2007 Gonzalez D3/243
D543,360 S * 5/2007 Gonzalez D3/318

(75) Inventor: **Alvaro Gonzalez**, Florence (IT)

(73) Assignee: **J. Choo (Jersey) Limited**, St. Helier,
Jersey (GB)

(**) Term: **14 Years**

(21) Appl. No.: **29/255,778**

(22) Filed: **Mar. 9, 2006**

(30) **Foreign Application Priority Data**

Sep. 9, 2005 (EM) 000401484-0025

(51) **LOC (8) Cl.** **03-01**

(52) **U.S. Cl.** **D3/232**

(58) **Field of Classification Search** D3/232,
D3/234, 238, 240–246, 303, 318–326, 900,
D3/902; 150/100, 107–110, 118–120; 190/100,
190/108–112, 115, 900, 902, 903
See application file for complete search history.

(56) **References Cited**

U.S. PATENT DOCUMENTS

D487,632 S * 3/2004 Galliano D3/246
D501,998 S 2/2005 Gonzalez
D502,805 S 3/2005 Gonzalez
D502,813 S 3/2005 Gonzalez
D507,882 S 8/2005 Gonzalez
D518,959 S * 4/2006 Gonzalez D3/318
D519,732 S * 5/2006 Gonzalez D3/243
D527,897 S * 9/2006 Gonzalez D3/247
D529,281 S * 10/2006 Gonzalez D3/243
D535,818 S * 1/2007 Gonzalez D3/243
D538,037 S * 3/2007 Gonzalez D3/243

OTHER PUBLICATIONS

J. Choo (Jersey) Limited, Tulita Ruched Small, Spring/Summer
2004 Catalogue, published Jul. 2003.
U.S. Appl. No. 29/255,777, filed Mar. 9, 2006.

* cited by examiner

Primary Examiner—Joel A. Sincavage

Assistant Examiner—Michelle E Wilson

(74) *Attorney, Agent, or Firm*—Fross Zelnick Lehrman &
Zissu, P.C.; Lawrence E. Apolzon, Esq.

(57) **CLAIM**

The ornamental design for a handbag, as shown and
described.

DESCRIPTION

FIG. 1 is a front perspective view of a handbag showing my
handbag design;

FIG. 2 is a front view of the handbag thereof;

FIG. 3 is a rear view of the handbag thereof;

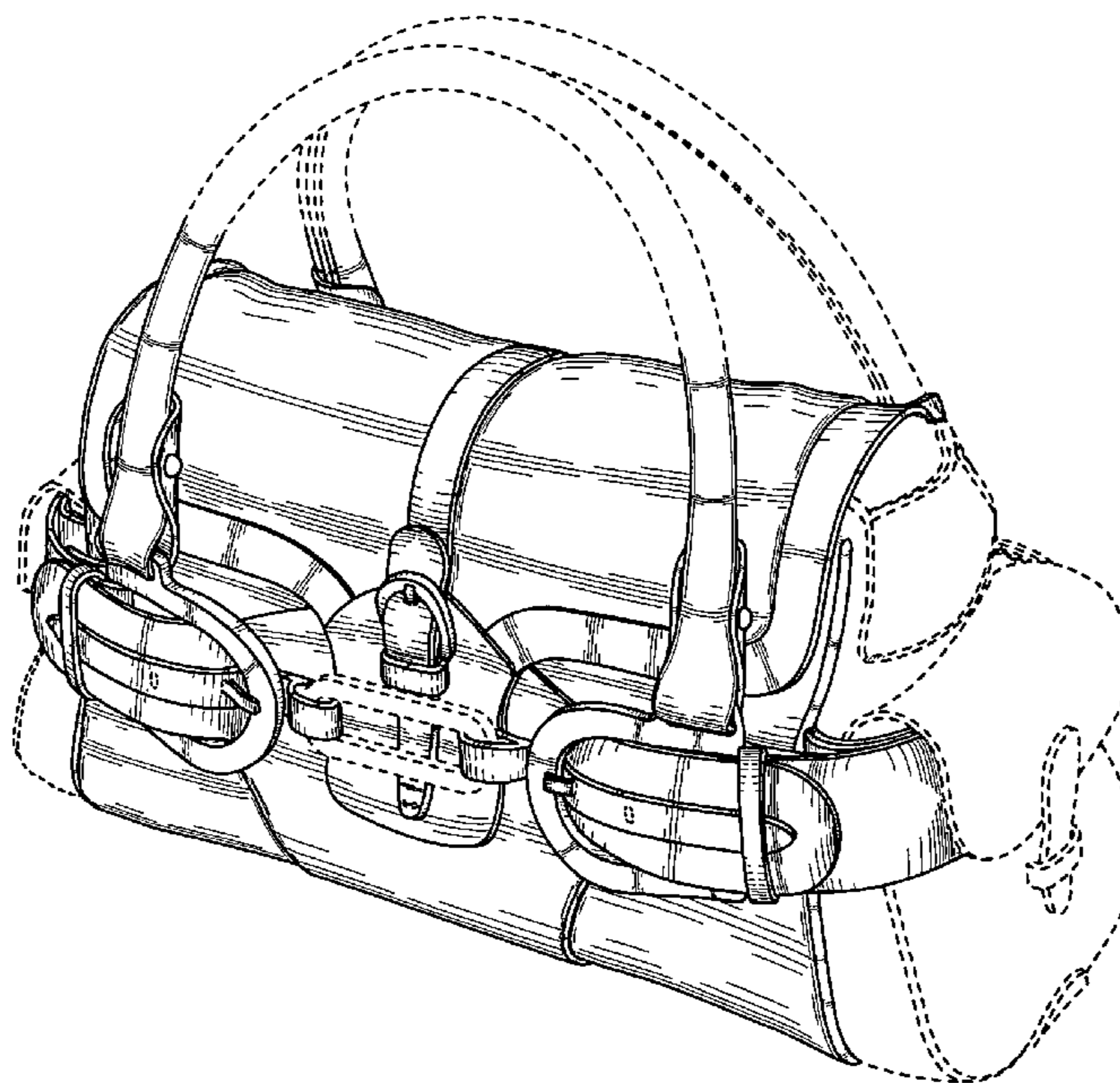
FIG. 4 is a left side view of the handbag thereof, with right
side being a mirror image;

FIG. 5 is a top view of the handbag thereof; and,

FIG. 6 is a bottom view of the handbag thereof.

The broken line showing of the handles, central buckle,
portion of the closure flap, side pockets, buckle holes, and
portions of the bag structure is for illustrative purposes only
and forms no part of the claimed design.

1 Claim, 6 Drawing Sheets



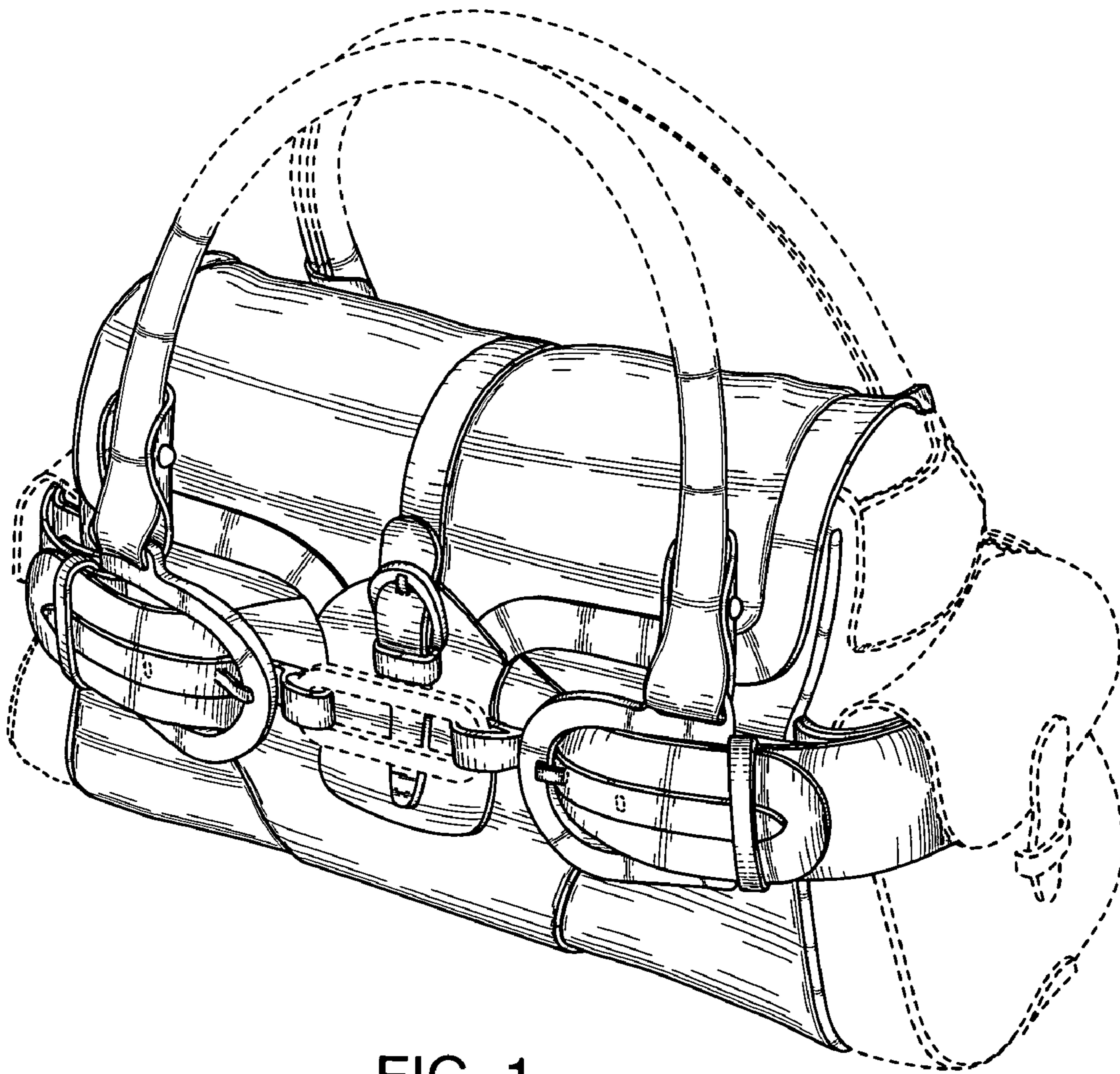


FIG. 1

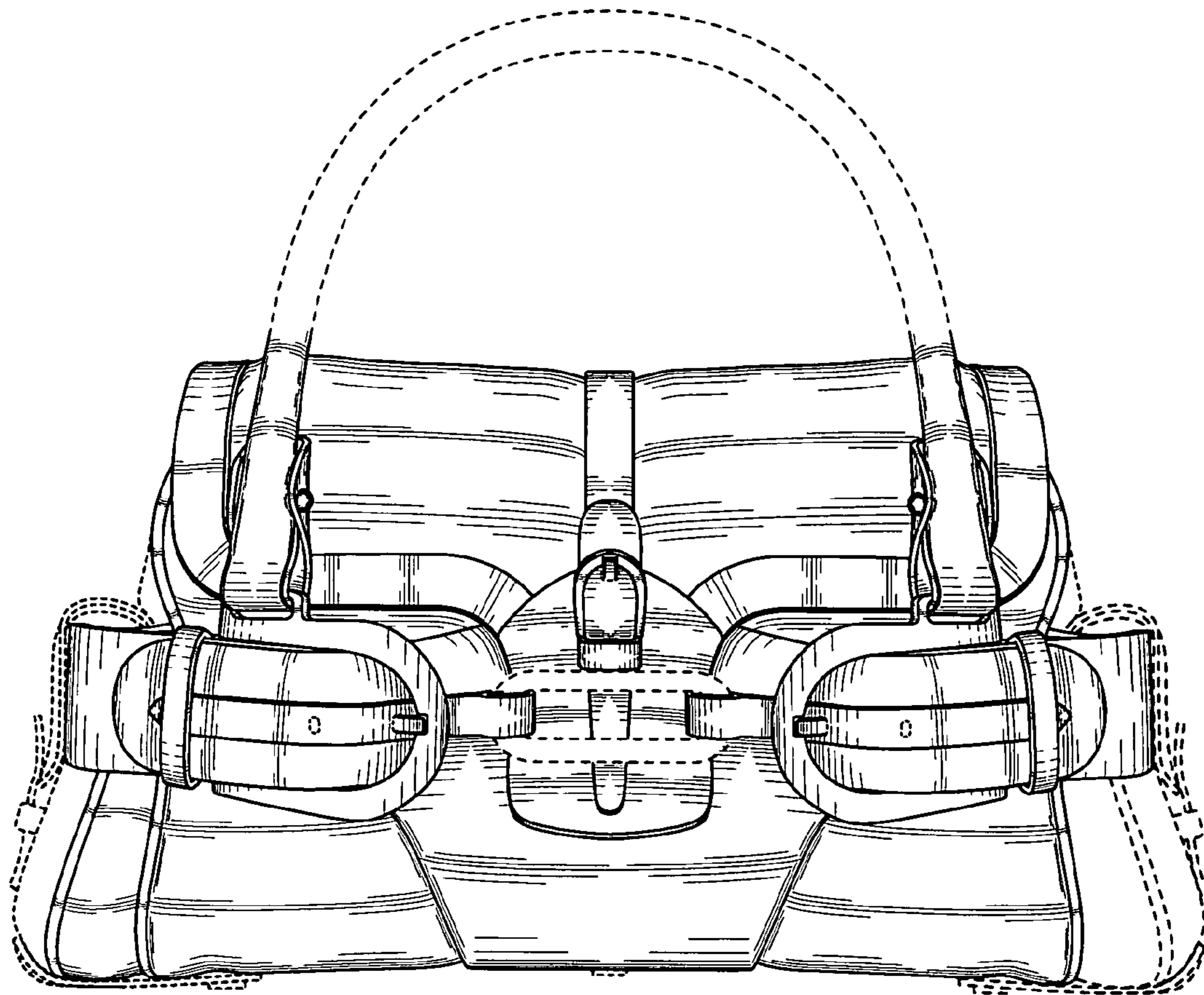


FIG. 2

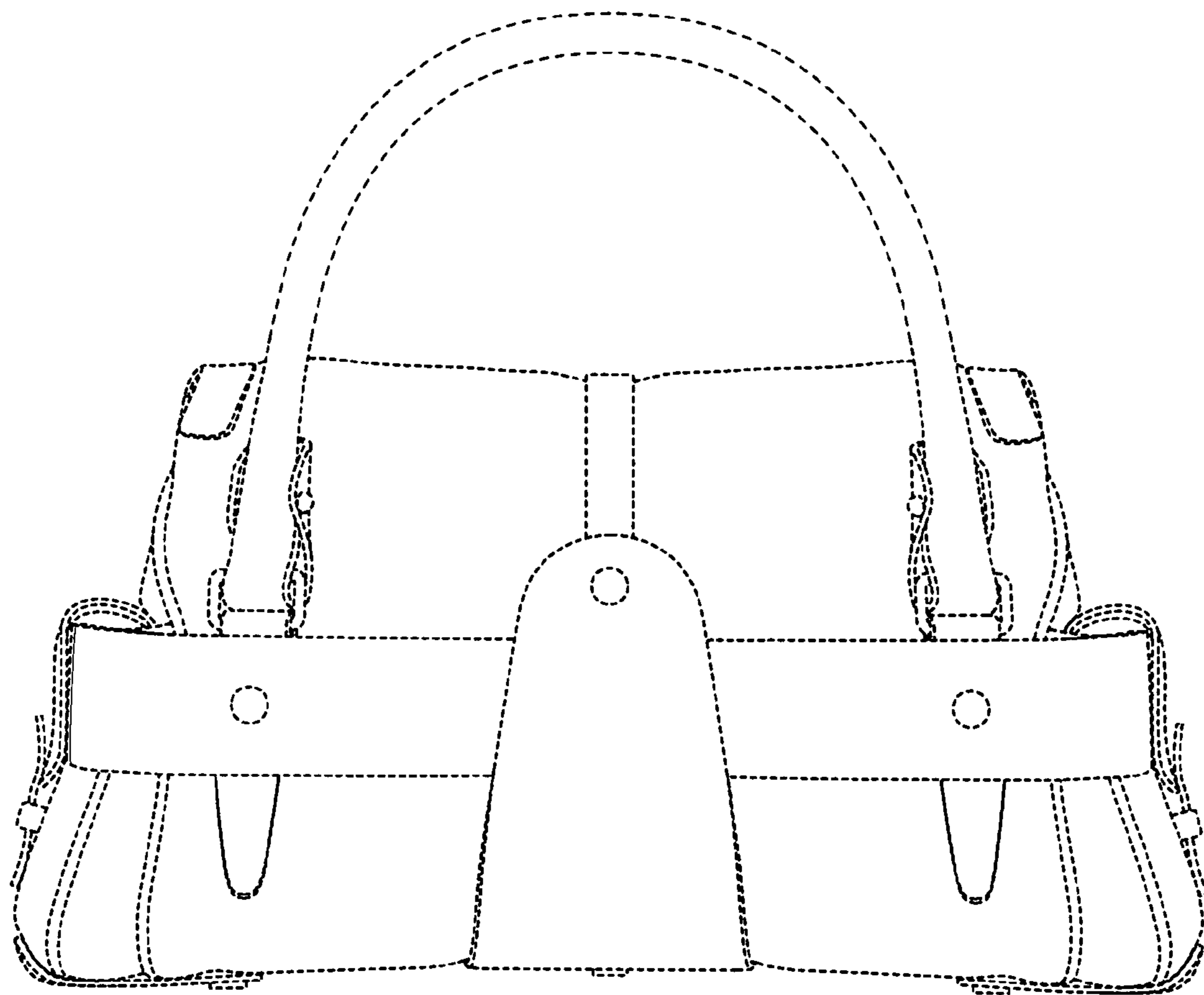


FIG. 3

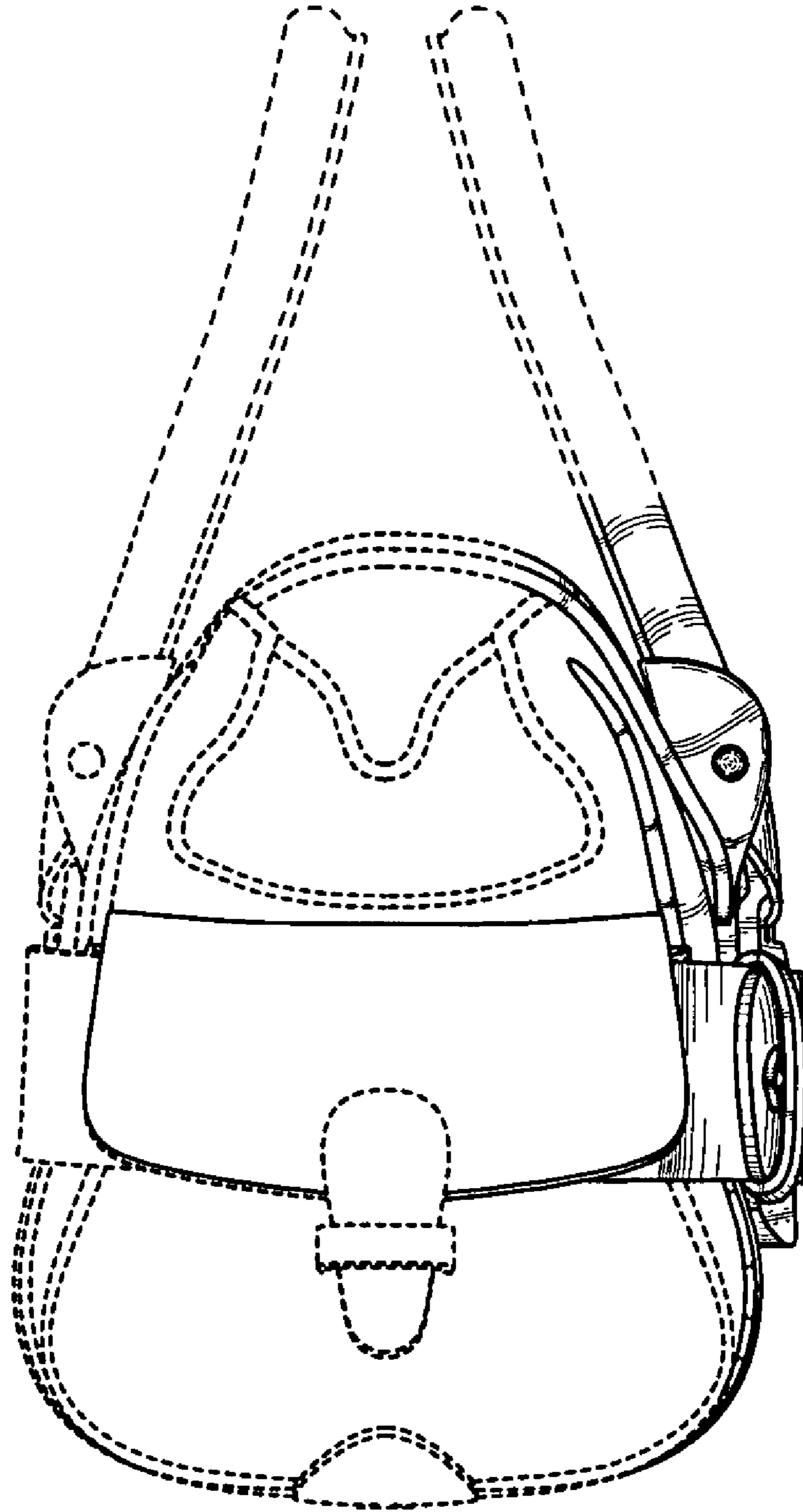


FIG. 4

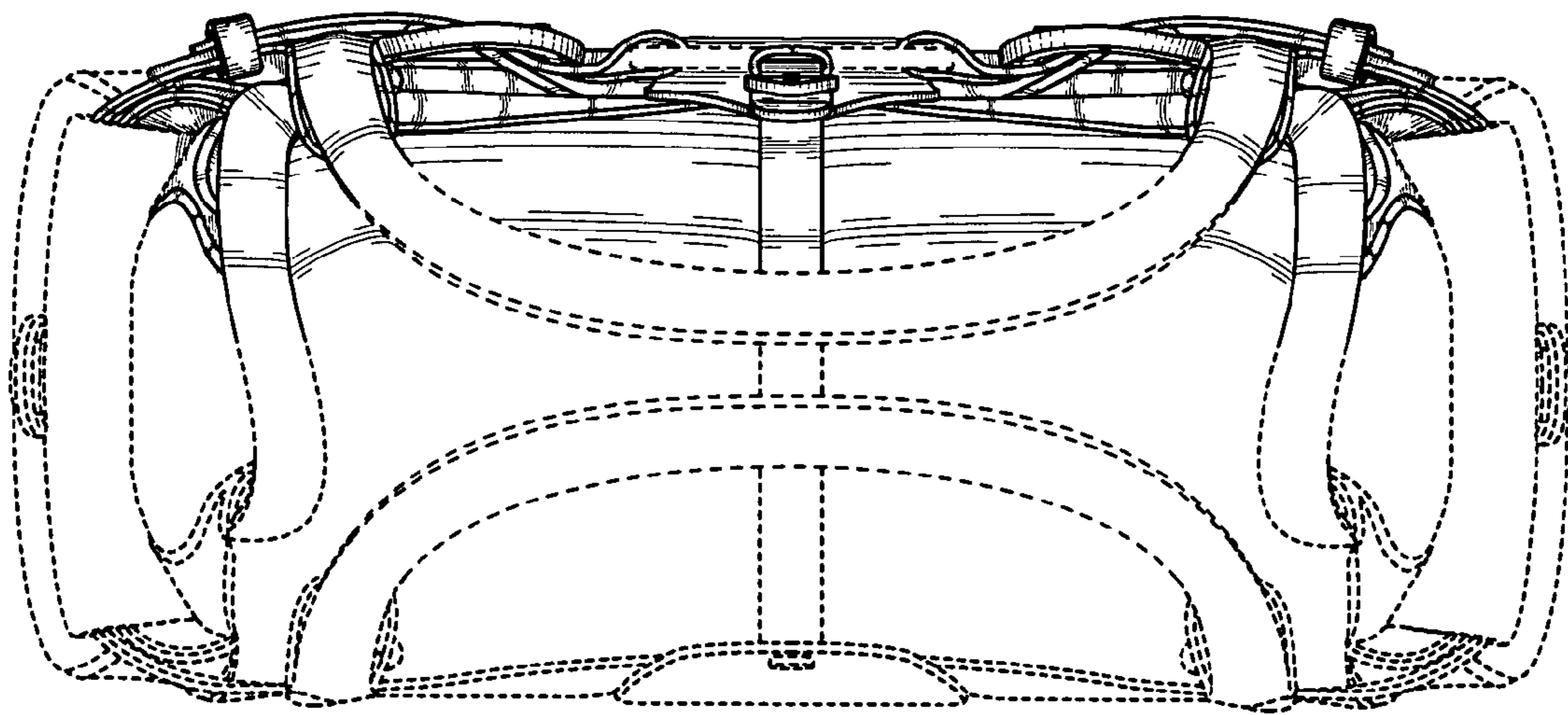


FIG. 5

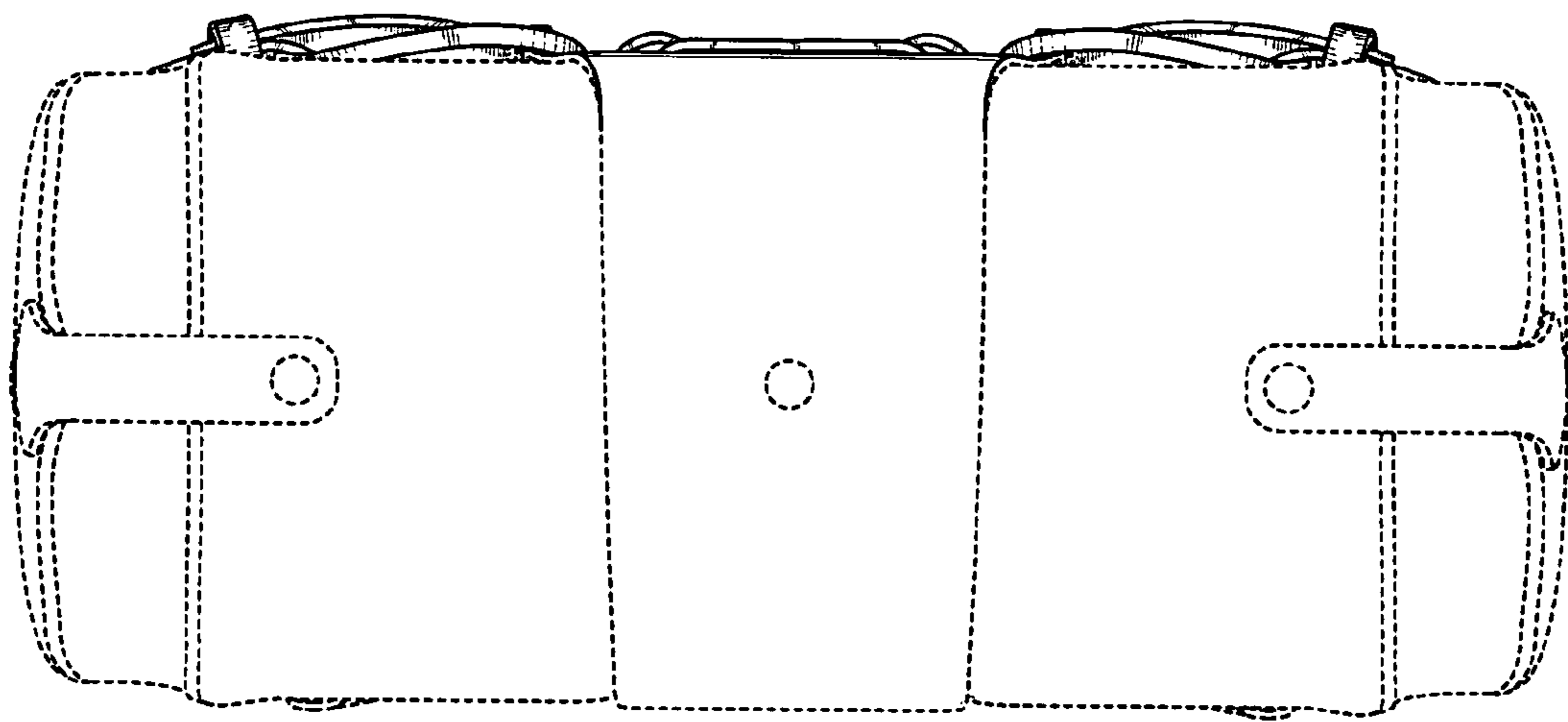


FIG. 6