



US00D559534S

(12) **United States Design Patent**
Rider et al.

(10) **Patent No.:** **US D559,534 S**

(45) **Date of Patent:** **** Jan. 15, 2008**

(54) **BELT MOUNTED HOLDER**

D436,243 S * 1/2001 Hoy D2/864
D479,769 S * 9/2003 Leighton D3/224

(76) Inventors: **Ronda F. Rider**, 2050 S. Balsam St.,
Lakewood, CO (US) 80227; **GiGi M. Targa**, 2050 Balsam St., Lakewood, CO
(US) 80227

* cited by examiner

Primary Examiner—Catherine R. Oliver
(74) *Attorney, Agent, or Firm*—Margaret Polson; Patent
Law Offices of Rick Martin, PC

(**) Term: **14 Years**

(21) Appl. No.: **29/277,651**

(57) **CLAIM**

(22) Filed: **Mar. 5, 2007**

The ornamental design for a belt mounted holder, as shown.

(51) **LOC (8) Cl.** **03-01**

(52) **U.S. Cl.** **D3/224**

(58) **Field of Classification Search** D3/224,
D3/226, 215, 228; 224/676, 682, 637, 648,
224/667, 240–241, 245, 904; D2/860–864;
2/48

DESCRIPTION

See application file for complete search history.

FIG. 1 is a front elevation view of my new design for a belt
mounted holder.

FIG. 2 is a rear elevation view of FIG. 1.

FIG. 3 is a right side elevation view of FIG. 1.

FIG. 4 is a left side elevation view of FIG. 1.

FIG. 5 is a top plan view of FIG. 1.

FIG. 6 is a bottom plan view of FIG. 1; and,

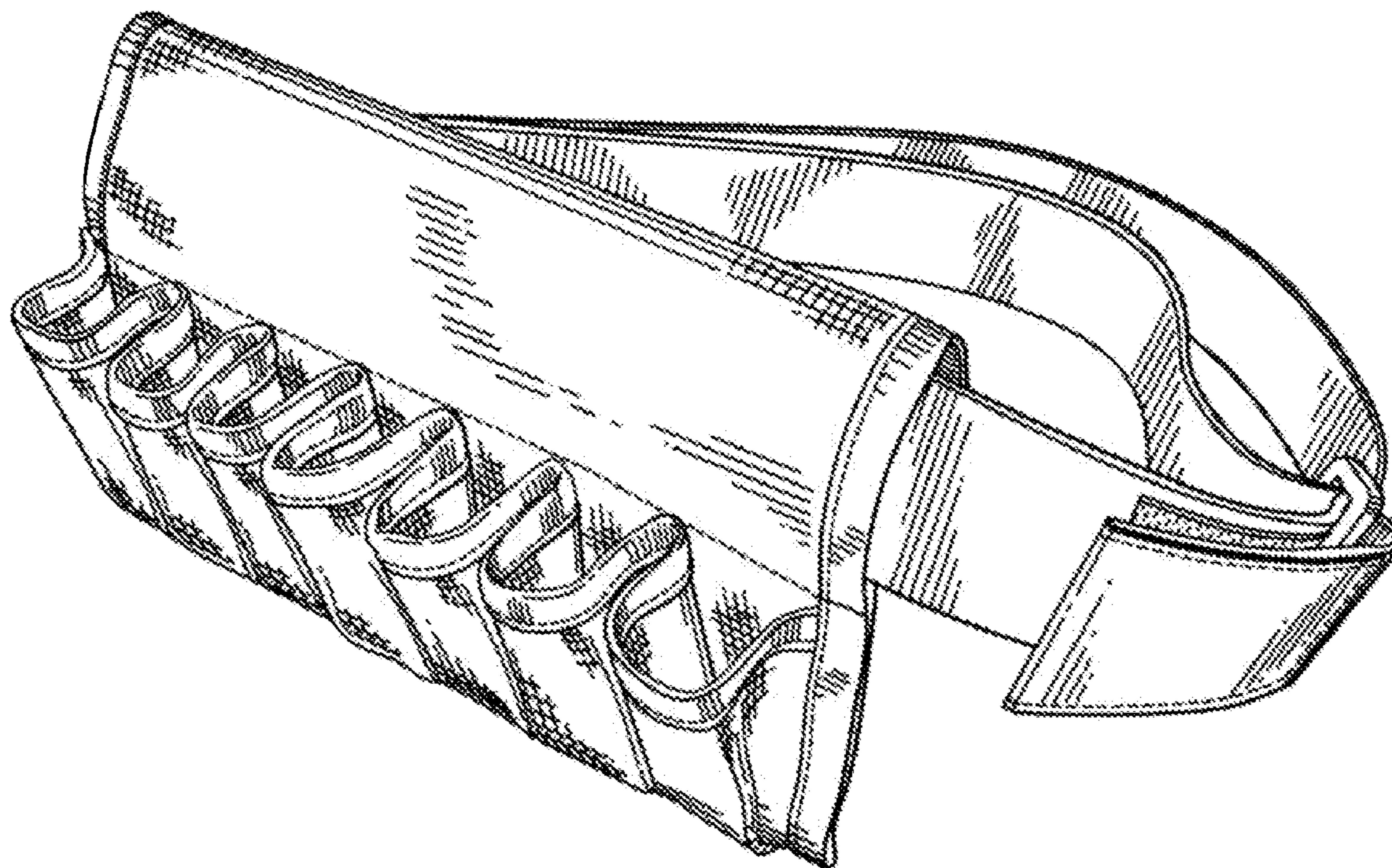
FIG. 7 is a top perspective view of FIG. 1.

(56) **References Cited**

U.S. PATENT DOCUMENTS

D298,382 S * 11/1988 Webster D3/229
D350,849 S * 9/1994 Dancyger D3/228

1 Claim, 3 Drawing Sheets



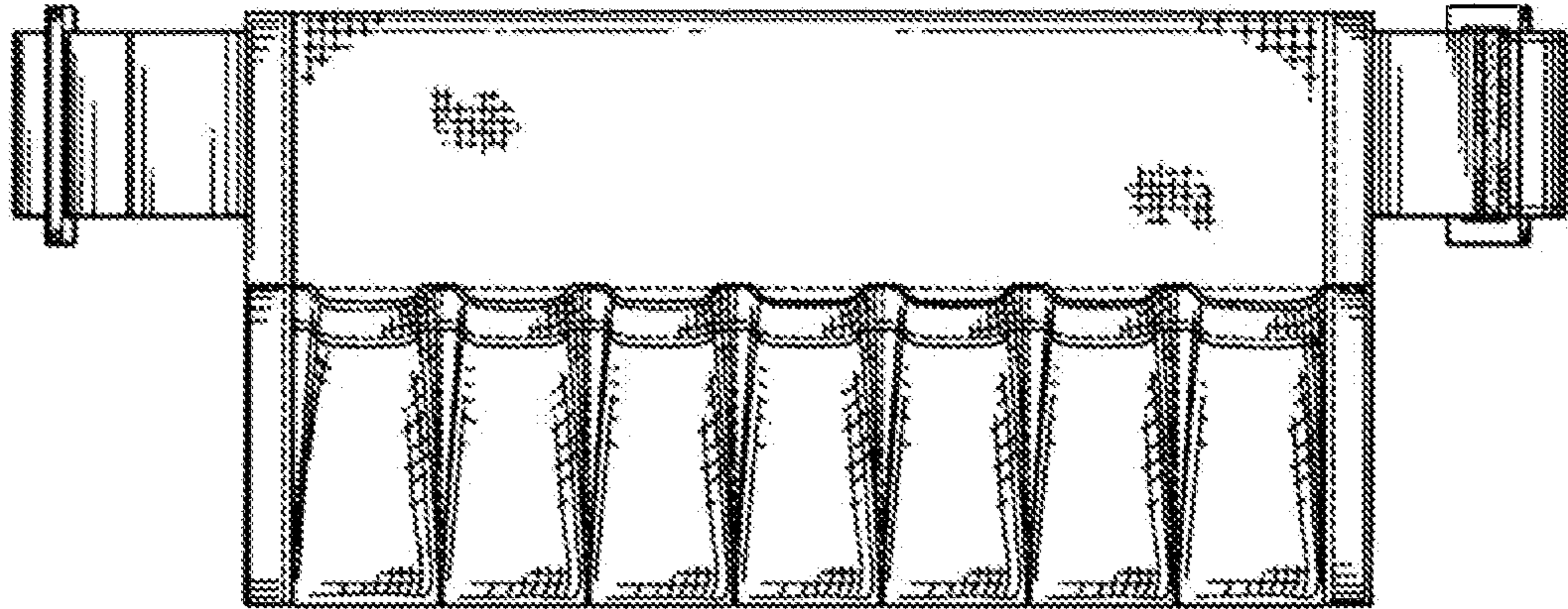


FIG. 1

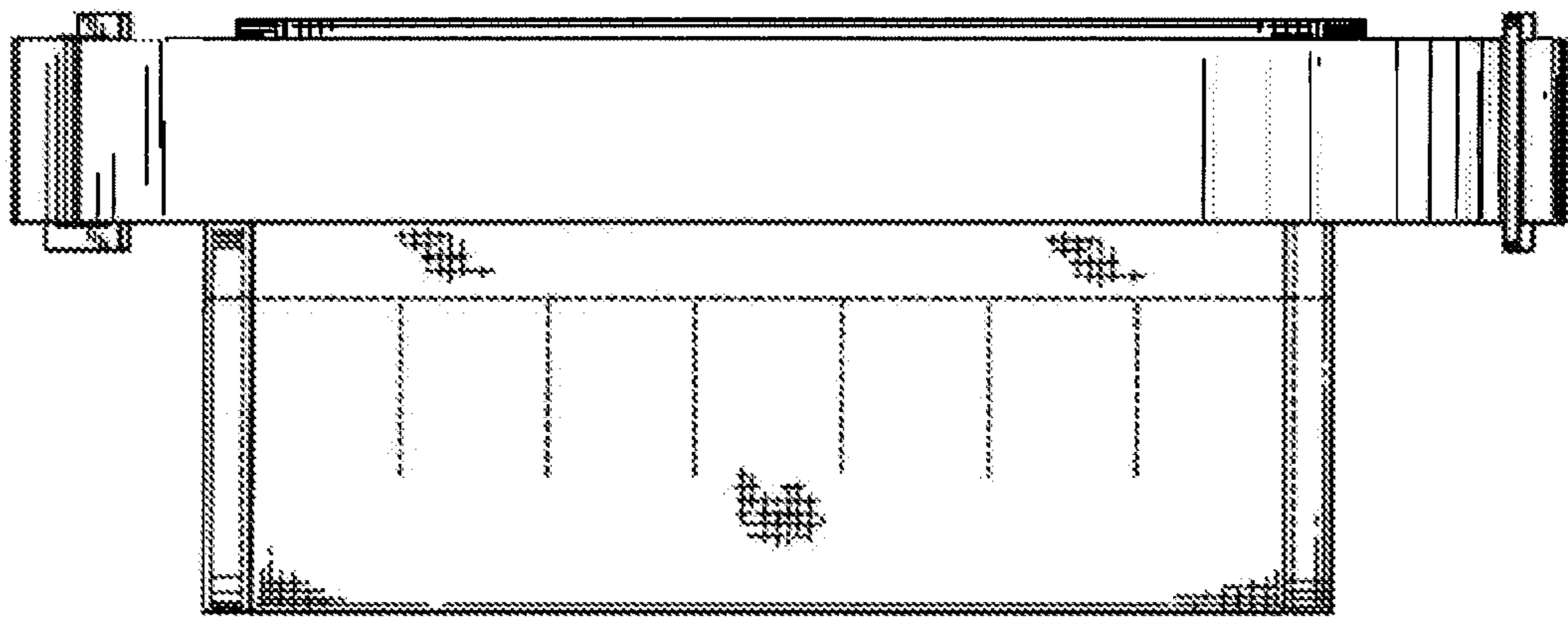


FIG. 2

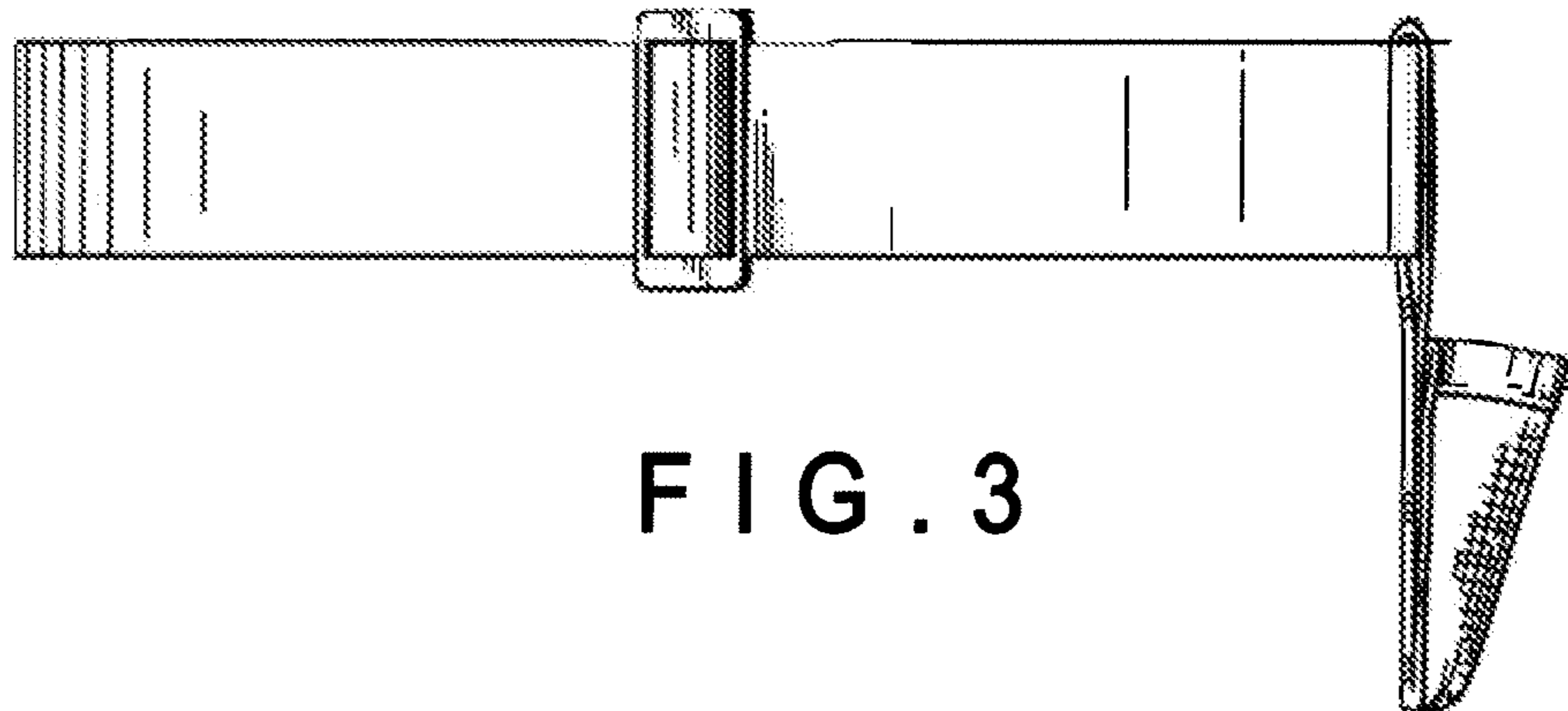


FIG. 3

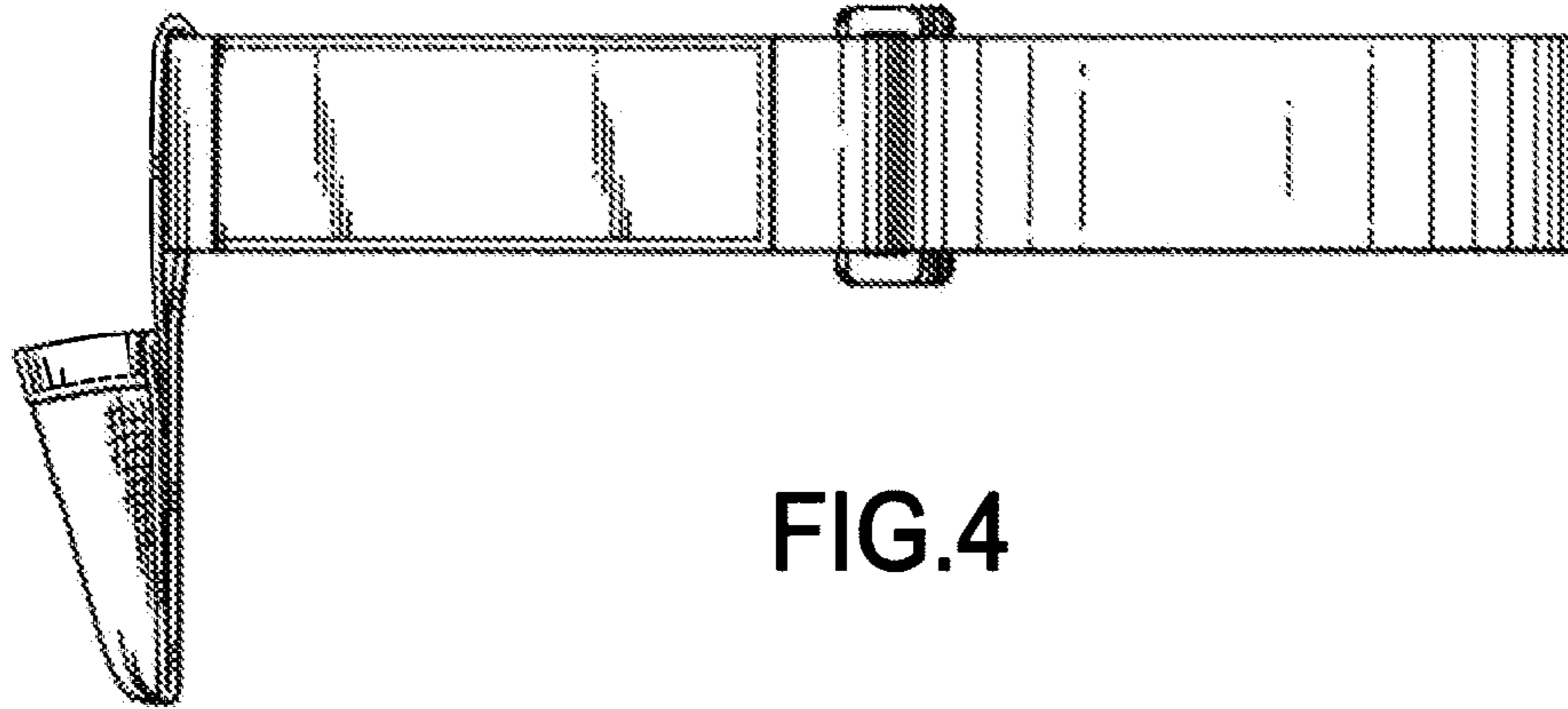


FIG. 4

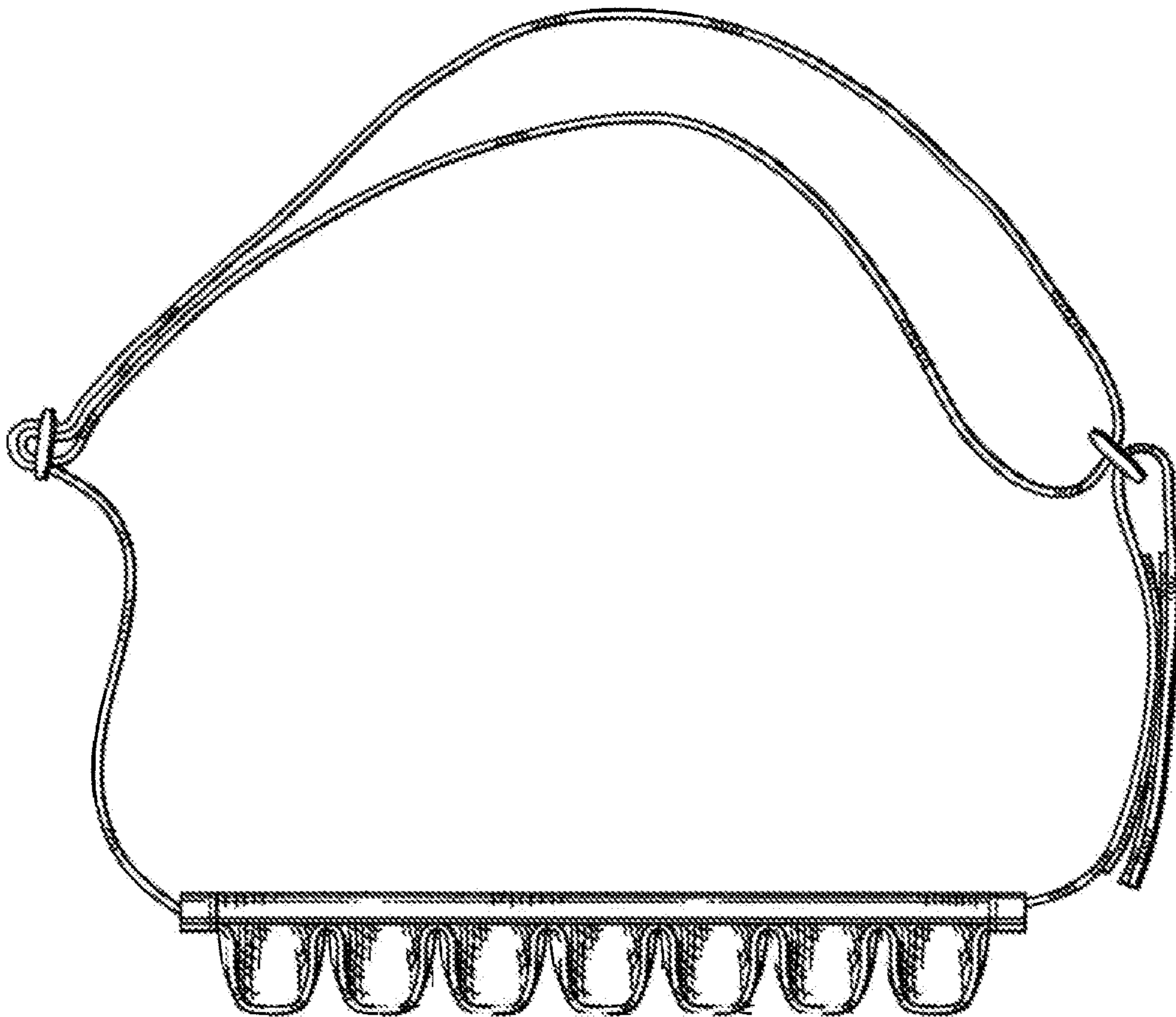


FIG. 5

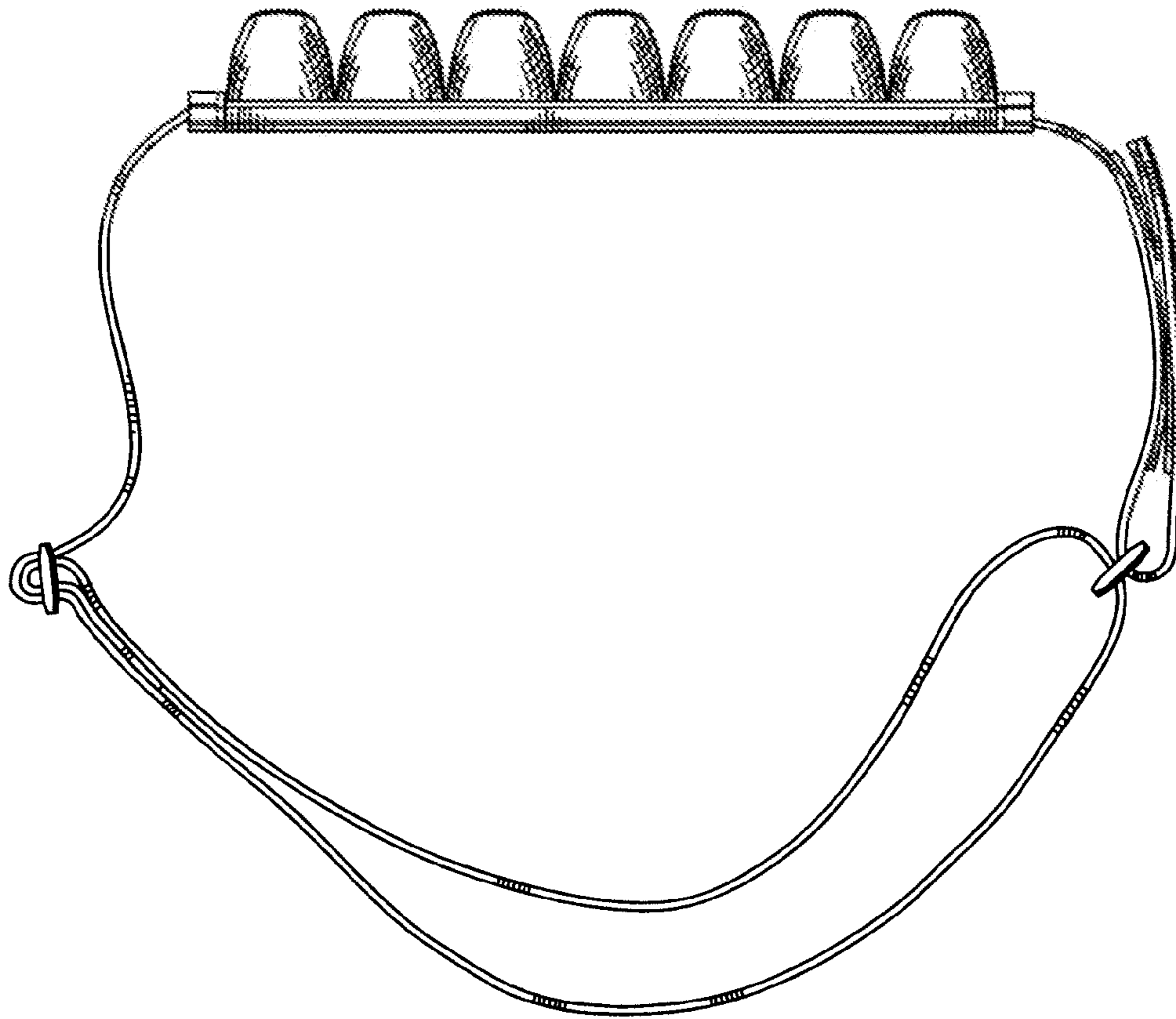


FIG. 6

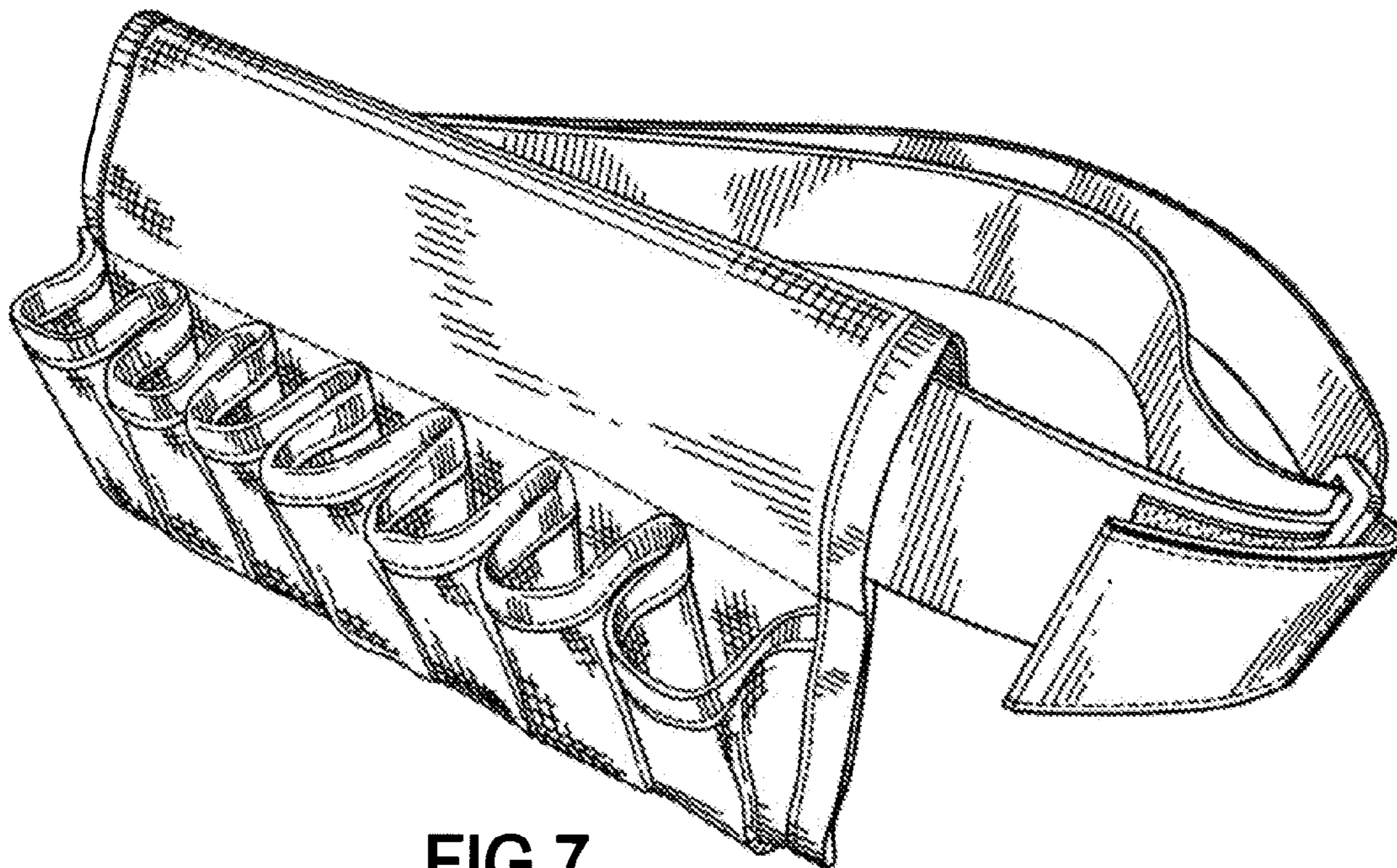


FIG. 7