



US00D559531S

(12) **United States Design Patent**
Koppe

(10) **Patent No.:** **US D559,531 S**

(45) **Date of Patent:** **** Jan. 15, 2008**

(54) **CASE FOR A TOBACCO TIN**

D548,957 S * 8/2007 Lowe D3/215

(76) Inventor: **Christopher F. Koppe**, P.O. Box 38,
Buffalo, NY (US) 14207-0038

* cited by examiner

Primary Examiner—Jennifer Rivard

(74) *Attorney, Agent, or Firm*—Roy, Kiesel, et al

(**) Term: **14 Years**

(21) Appl. No.: **29/260,385**

(57) **CLAIM**

(22) Filed: **May 24, 2006**

I claim the ornamental design for a case for a tobacco tin, as shown and described.

(51) **LOC (8) Cl.** **03-01**

DESCRIPTION

(52) **U.S. Cl.** **D3/215; D27/186**

(58) **Field of Classification Search** D27/172,
D27/183, 187, 189–191; D3/215, 229; 206/236,
206/242; 224/163, 247

FIG. 1 is a three-quarter front perspective view of the case.

FIG. 2 is a front view of the case.

FIG. 3 is a back view of the case.

FIG. 4 is a side view of one side of the case.

FIG. 5 is a side view of the opposite side of the case.

FIG. 6 is a top view of the case; and,

FIG. 7 is a bottom view of the case.

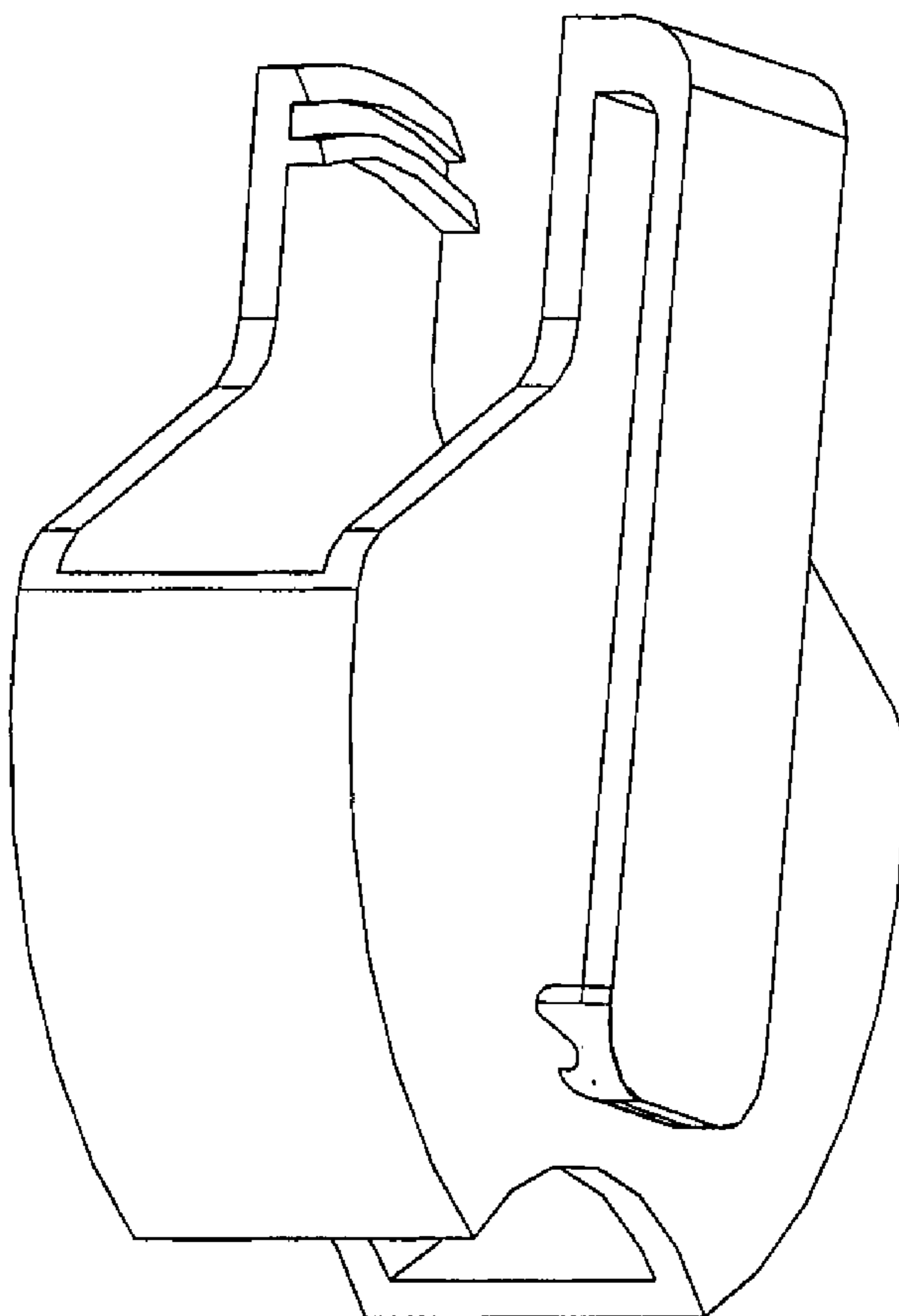
See application file for complete search history.

(56) **References Cited**

U.S. PATENT DOCUMENTS

D184,805 S * 4/1959 Evans 224/163
4,562,620 A * 1/1986 Oliver, Jr. 224/163
D291,389 S * 8/1987 Crymes D3/229

1 Claim, 7 Drawing Sheets



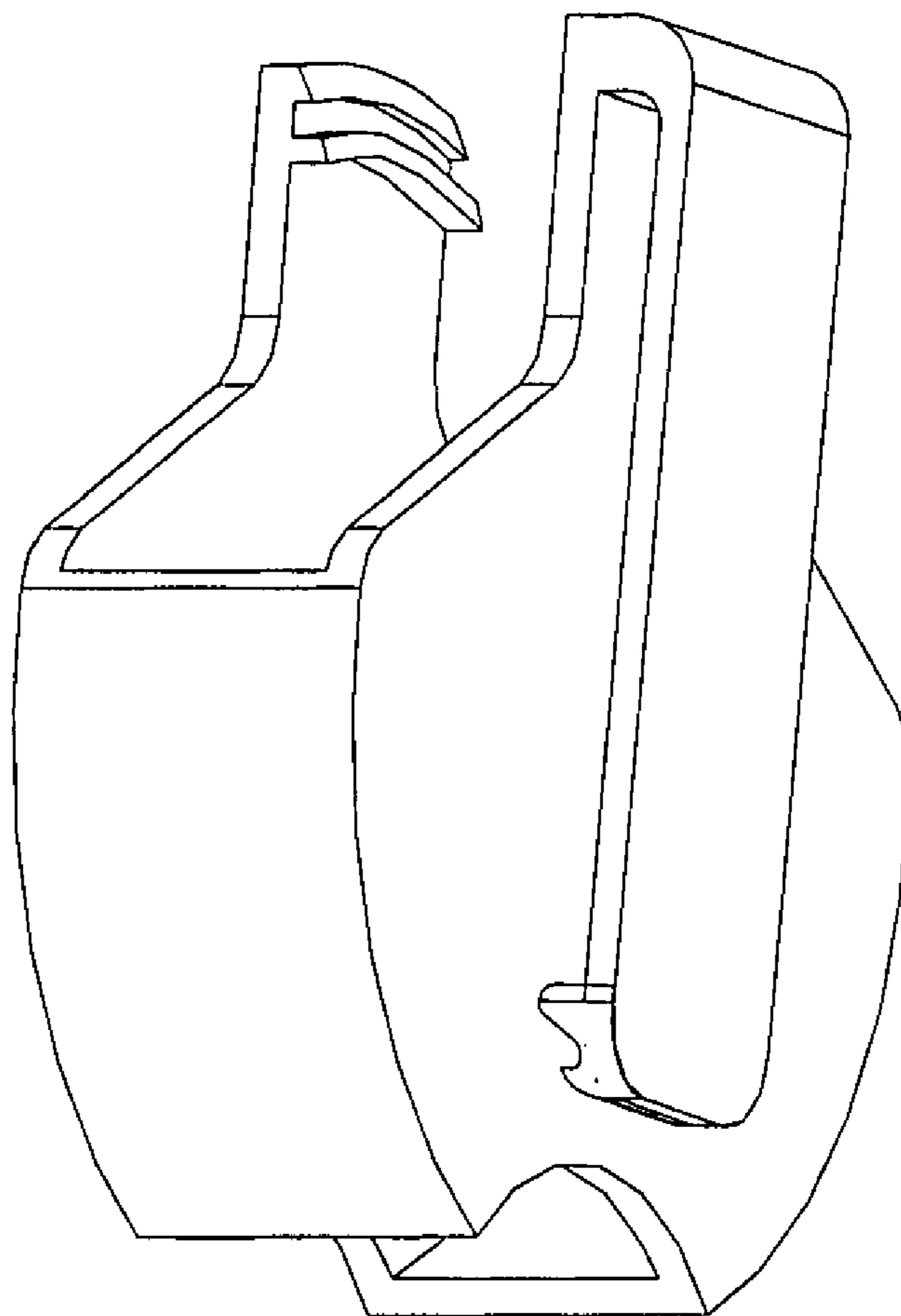


FIGURE 1

FIGURE 2

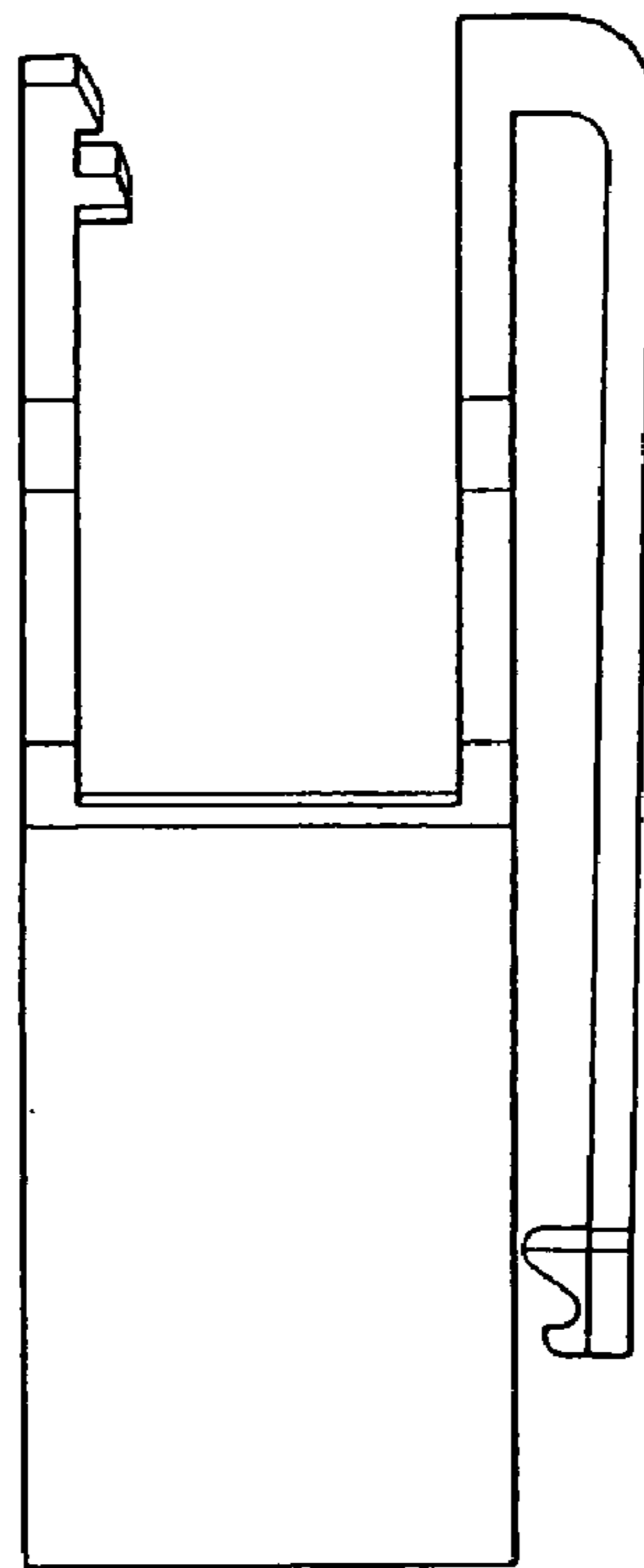


FIGURE 3

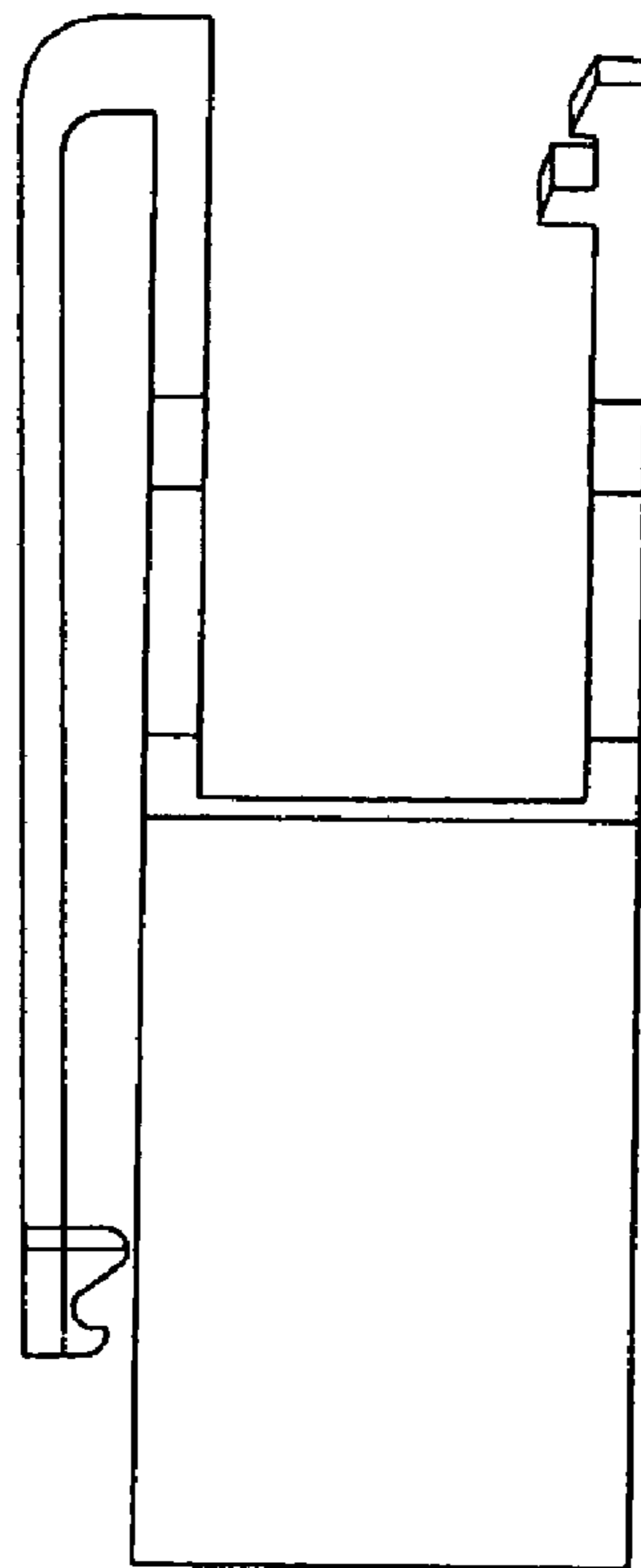


FIGURE 4

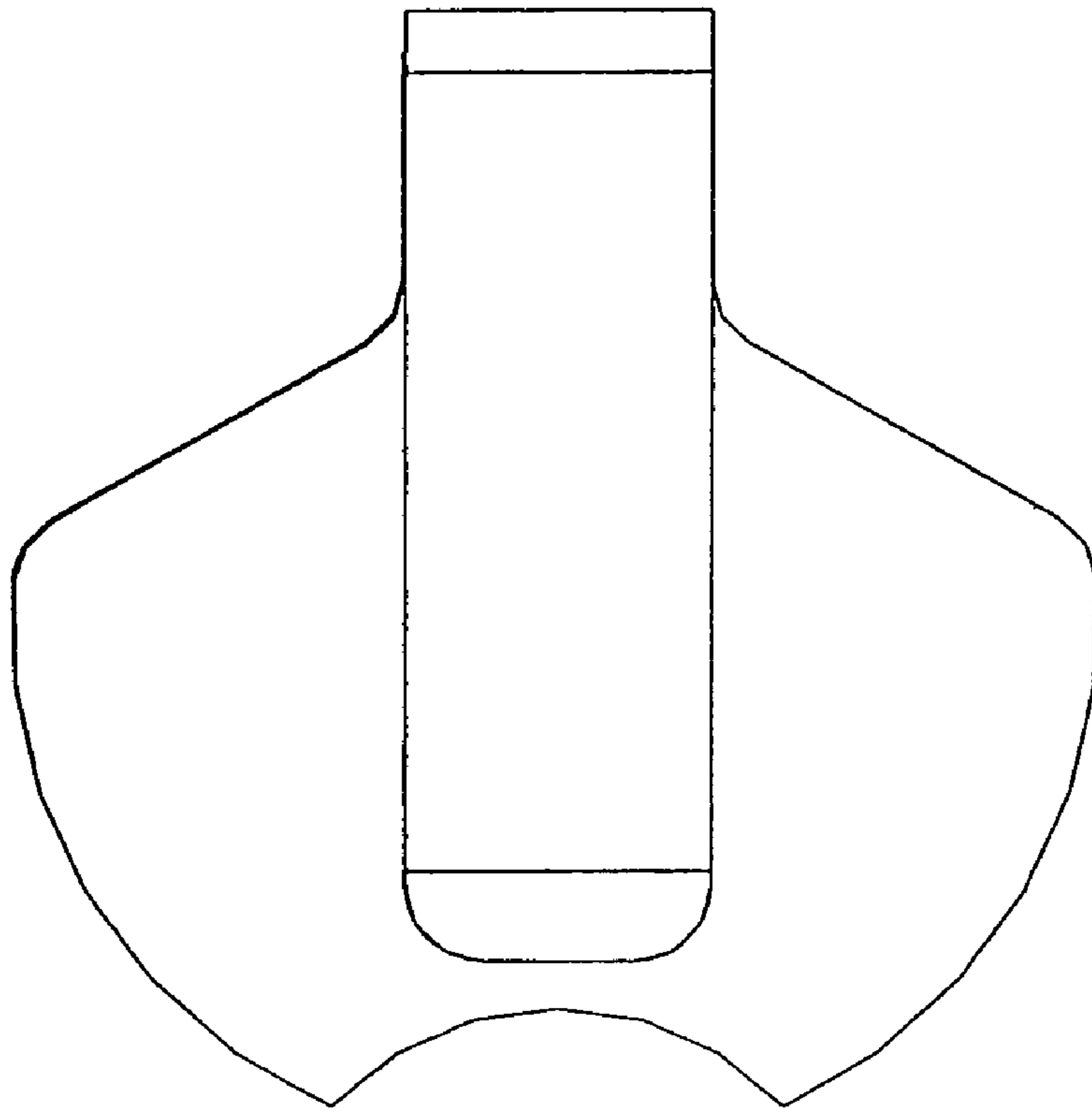


FIGURE 5

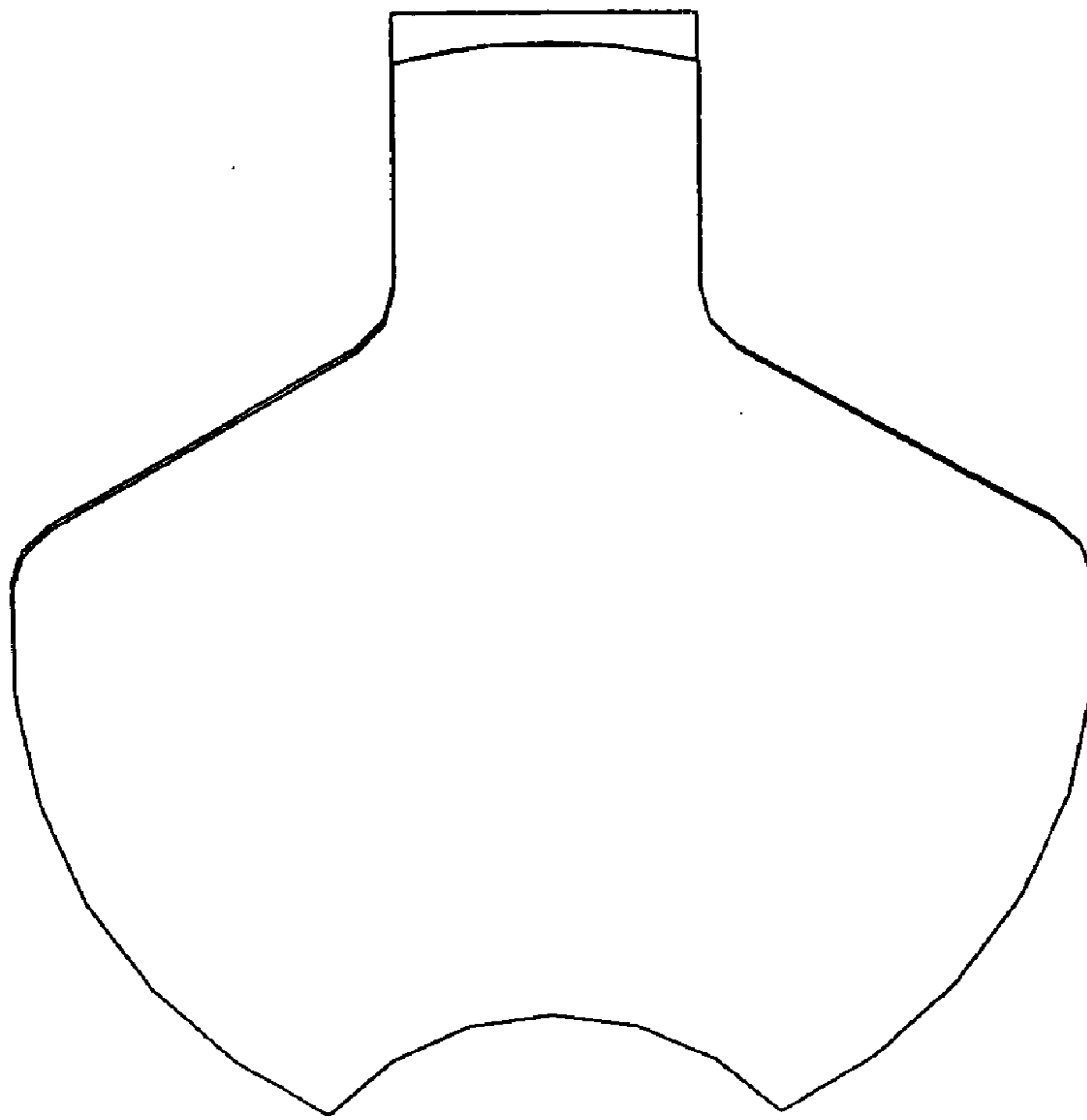


FIGURE 6

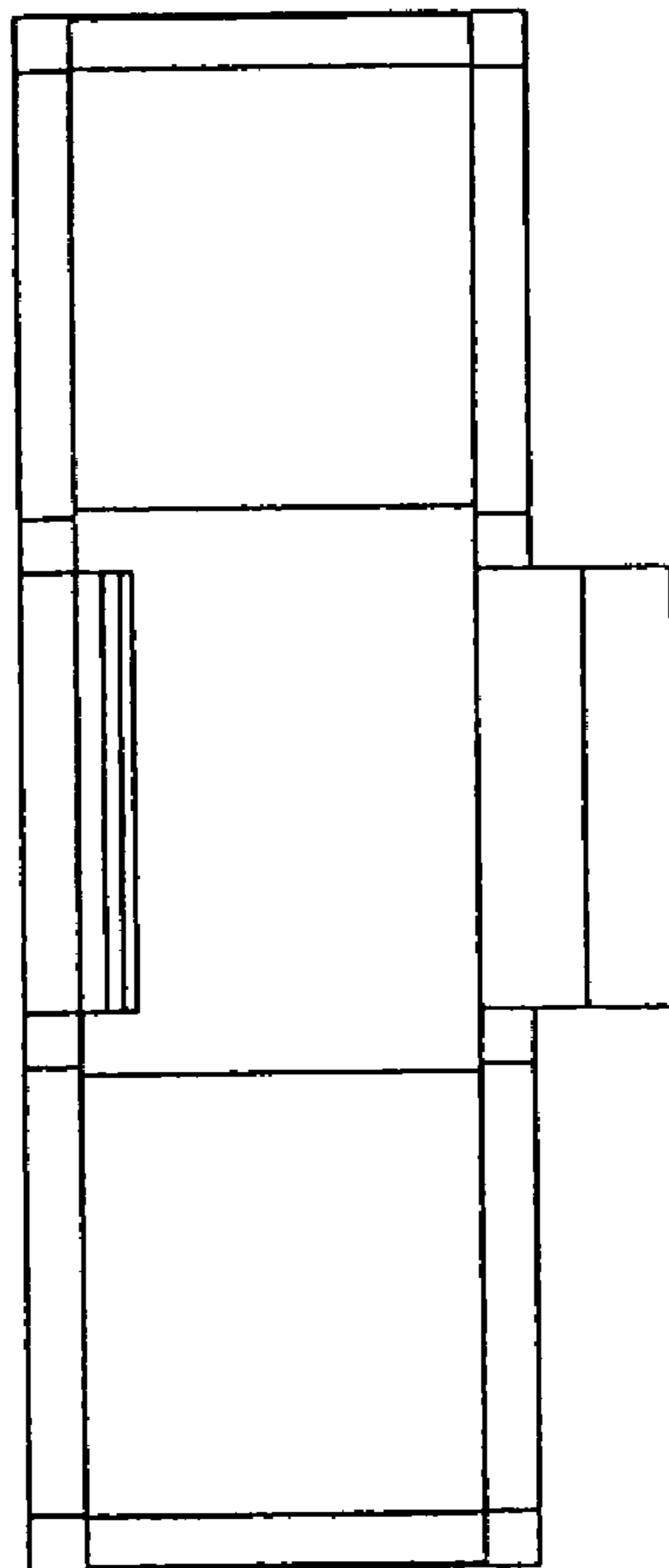


FIGURE 7

