



US00D559529S

(12) **United States Design Patent**  
**Griffin et al.**

(10) **Patent No.: US D559,529 S**  
(45) **Date of Patent: \*\* Jan. 15, 2008**

(54) **CASE WITH STAND FOR AN MP3 PLAYER DEVICE**

*Primary Examiner*—Catherine R. Oliver  
(74) *Attorney, Agent, or Firm*—Michael E. McKee

(75) Inventors: **Paul Griffin**, Nashville, TN (US); **Dan Poon**, Hermitage, TN (US)

(57) **CLAIM**

(73) Assignee: **Griffin Technology, Inc.**, Nashville, TN (US)

The ornamental design for a case with stand for an MP3 player device, as shown and described.

(\*\*) Term: **14 Years**

**DESCRIPTION**

(21) Appl. No.: **29/272,867**

FIG. 1 is a perspective view of the case with stand for an MP3 player device showing our new design and wherein the stand is moved to a condition for supporting the case in a upright condition;

(22) Filed: **Feb. 20, 2007**

FIG. 2 is a front view thereof;

(51) **LOC (8) Cl.** ..... **03-01**

FIG. 3 is a right side view thereof, the left side thereof being a mirror image;

(52) **U.S. Cl.** ..... **D3/201; D3/218**

(58) **Field of Classification Search** ..... D3/201, D3/218, 215, 226, 269, 272–273; 206/305, 206/320; 455/90, 92, 42; 379/455; 224/901, 224/904, 682–683; D14/496, 156, 138  
See application file for complete search history.

FIG. 4 is a top view thereof;

FIG. 5 is a bottom view thereof;

FIG. 6 is a rear view thereof;

(56) **References Cited**

**U.S. PATENT DOCUMENTS**

D540,539 S *	4/2007	Gutierrez	.....	D3/269
D542,524 S *	5/2007	Richardson et al.	.....	D3/218
D547,056 S *	7/2007	Griffin et al.	.....	D3/218
D547,057 S *	7/2007	Griffin et al.	.....	D3/218
2007/0021068 A1 *	1/2007	Dewhurst	.....	455/42
2007/0184781 A1 *	8/2007	Huskinson	.....	455/42

FIG. 7 is a perspective view of the case with stand of FIG. 1 wherein the stand is moved to a stored condition;

FIG. 8 is a front view thereof;

FIG. 9 is a rear view thereof;

FIG. 10 is a right side view thereof, the left side view thereof being a mirror image;

FIG. 11 is a top view thereof; and,

FIG. 12 is a bottom view thereof.

\* cited by examiner

**1 Claim, 6 Drawing Sheets**

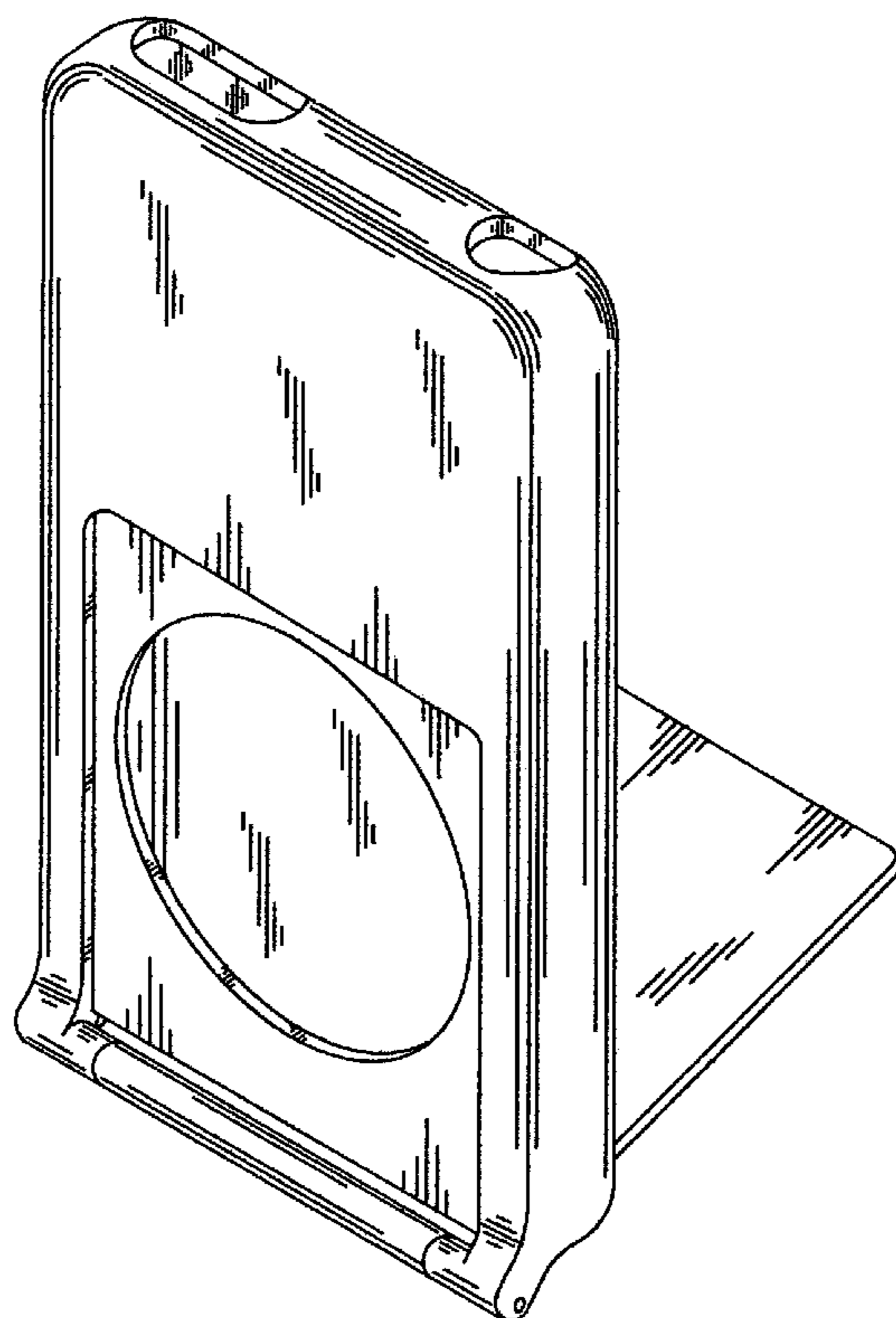


FIG. 1

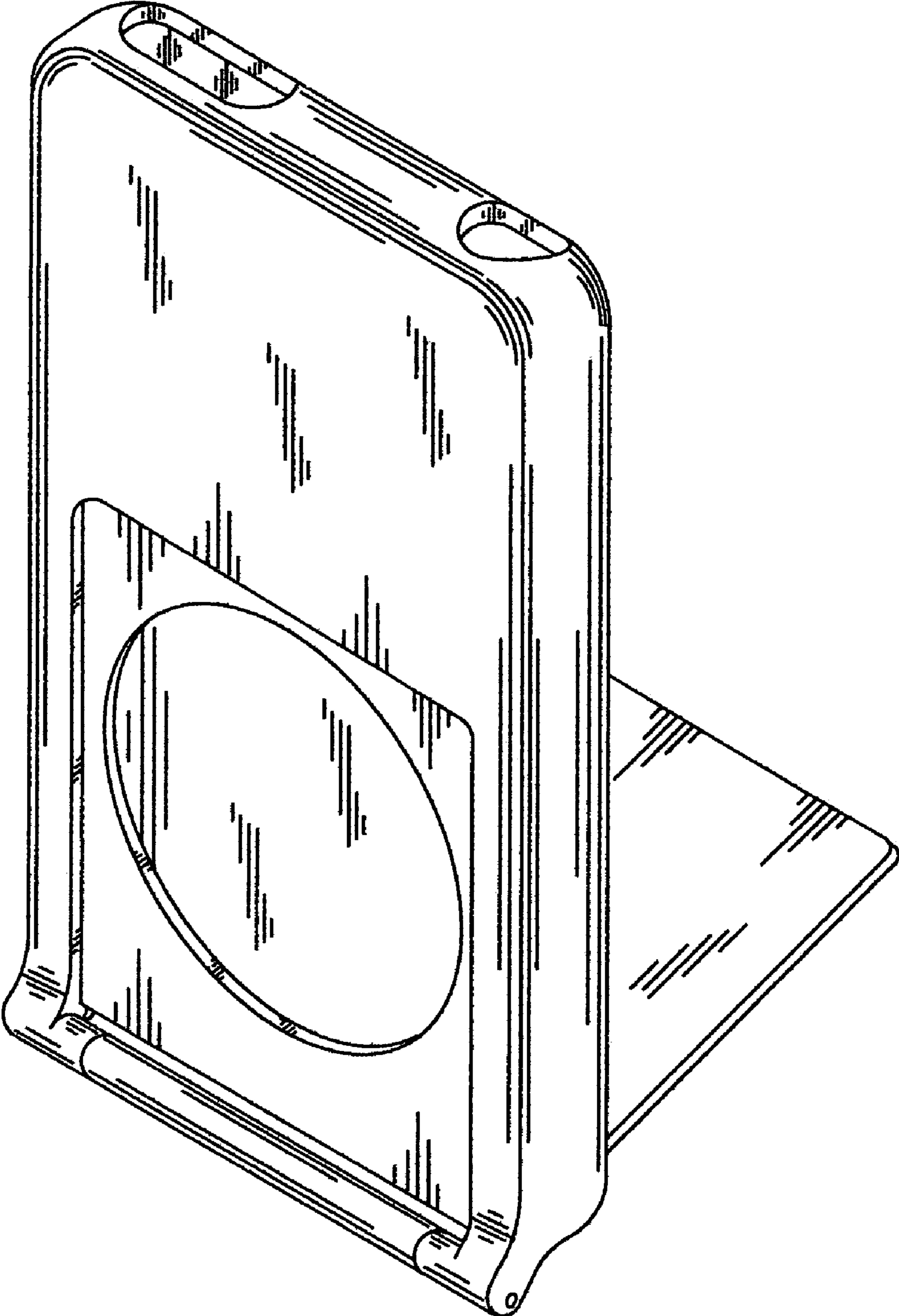


FIG. 6

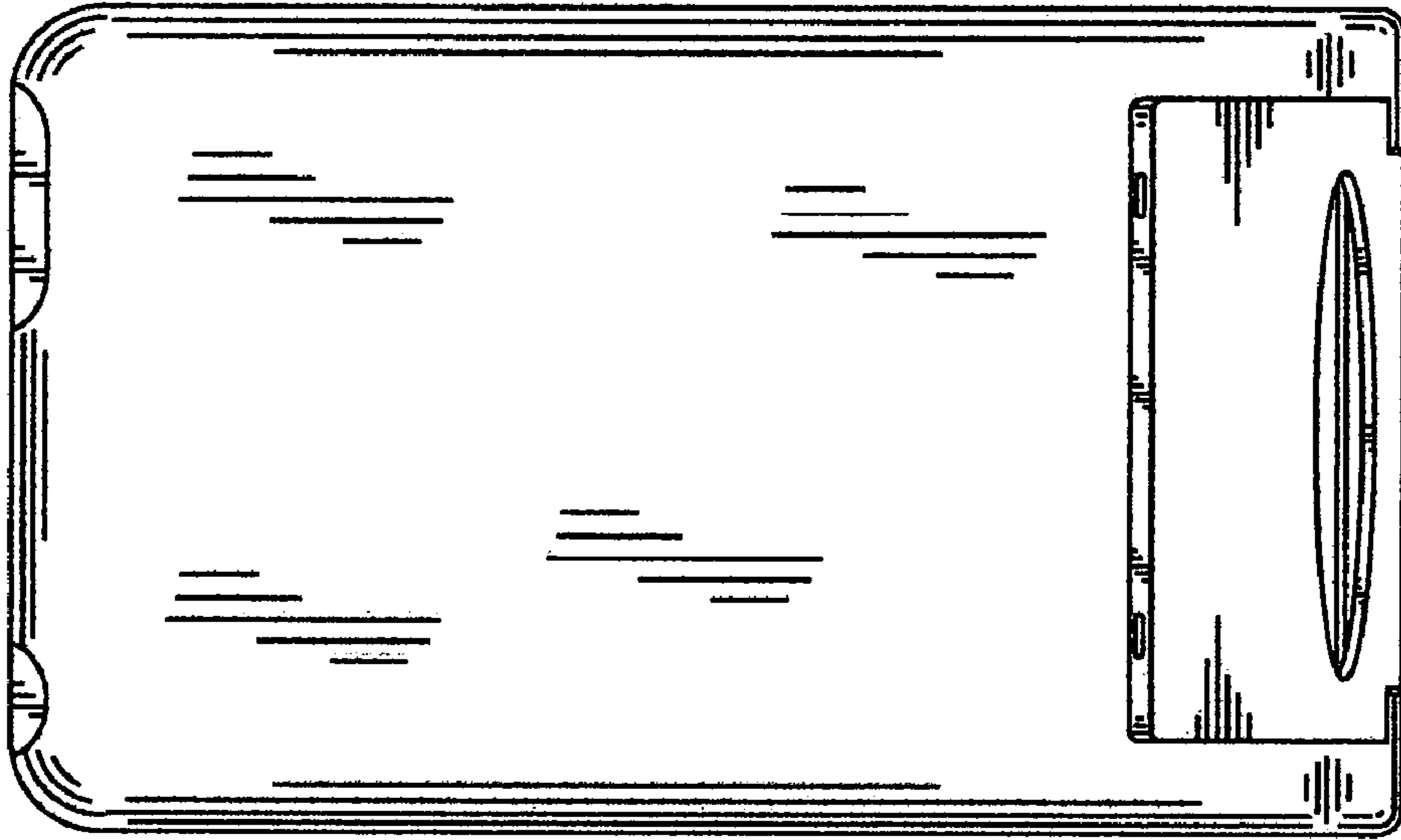
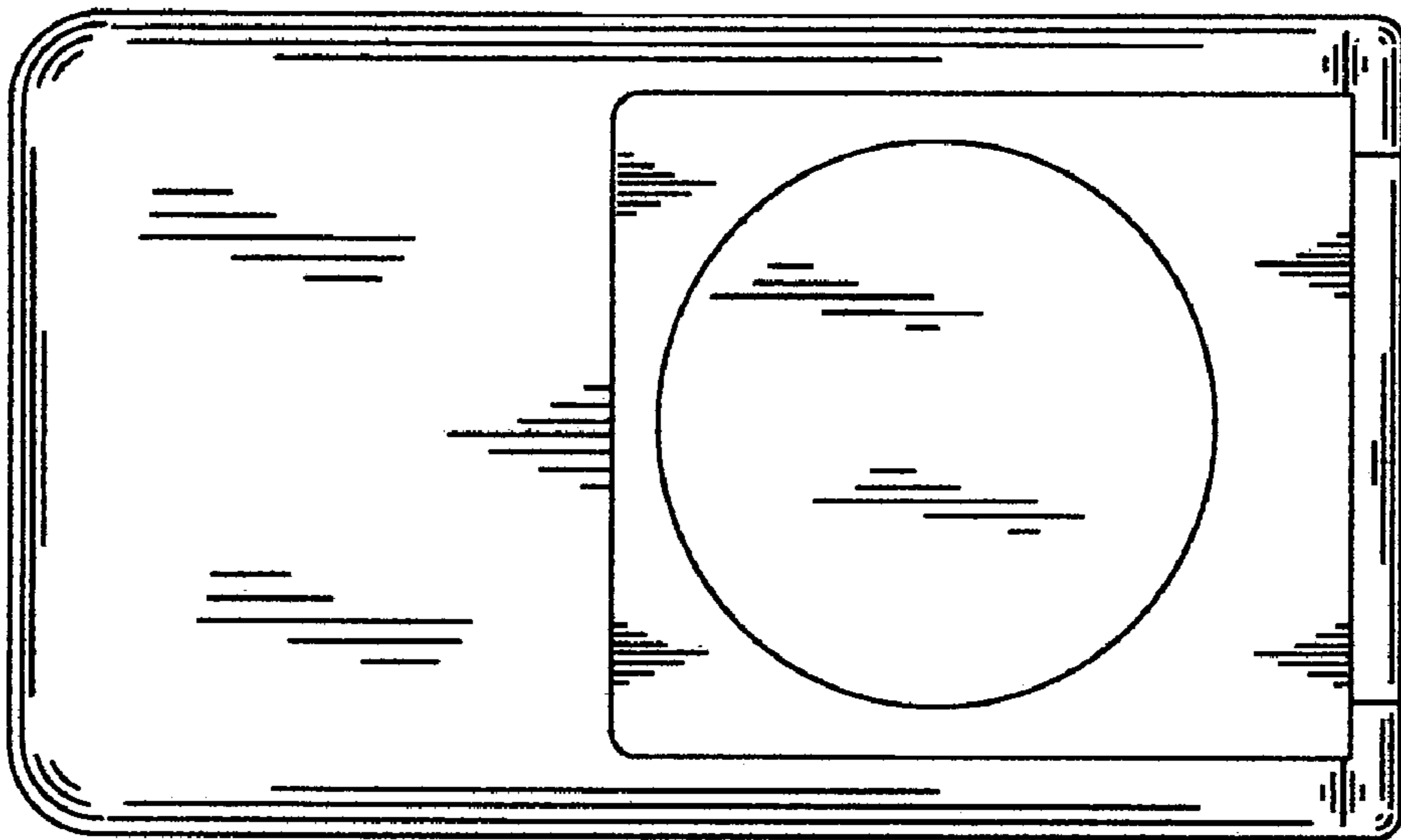


FIG. 2



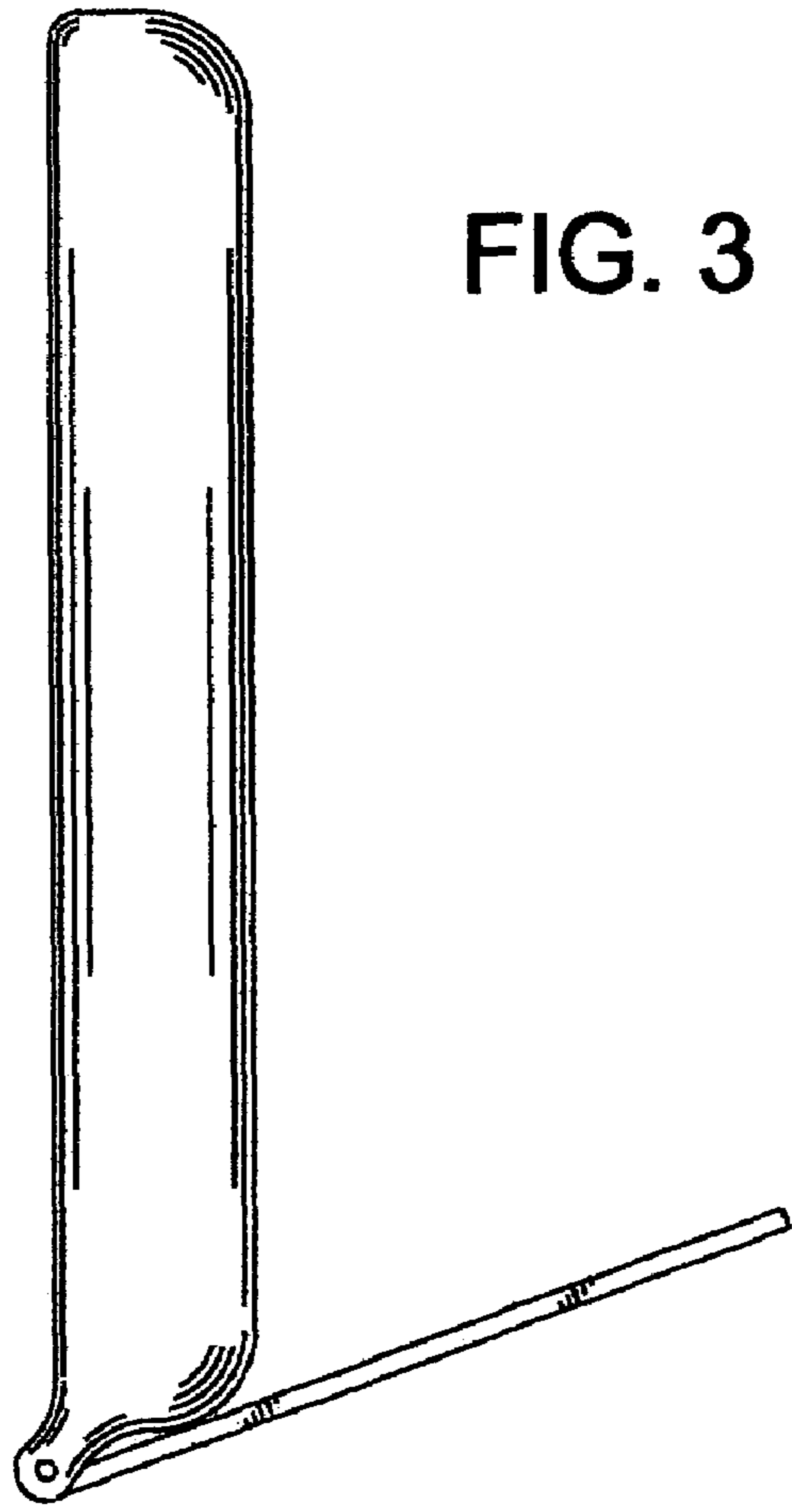


FIG. 3

FIG. 4

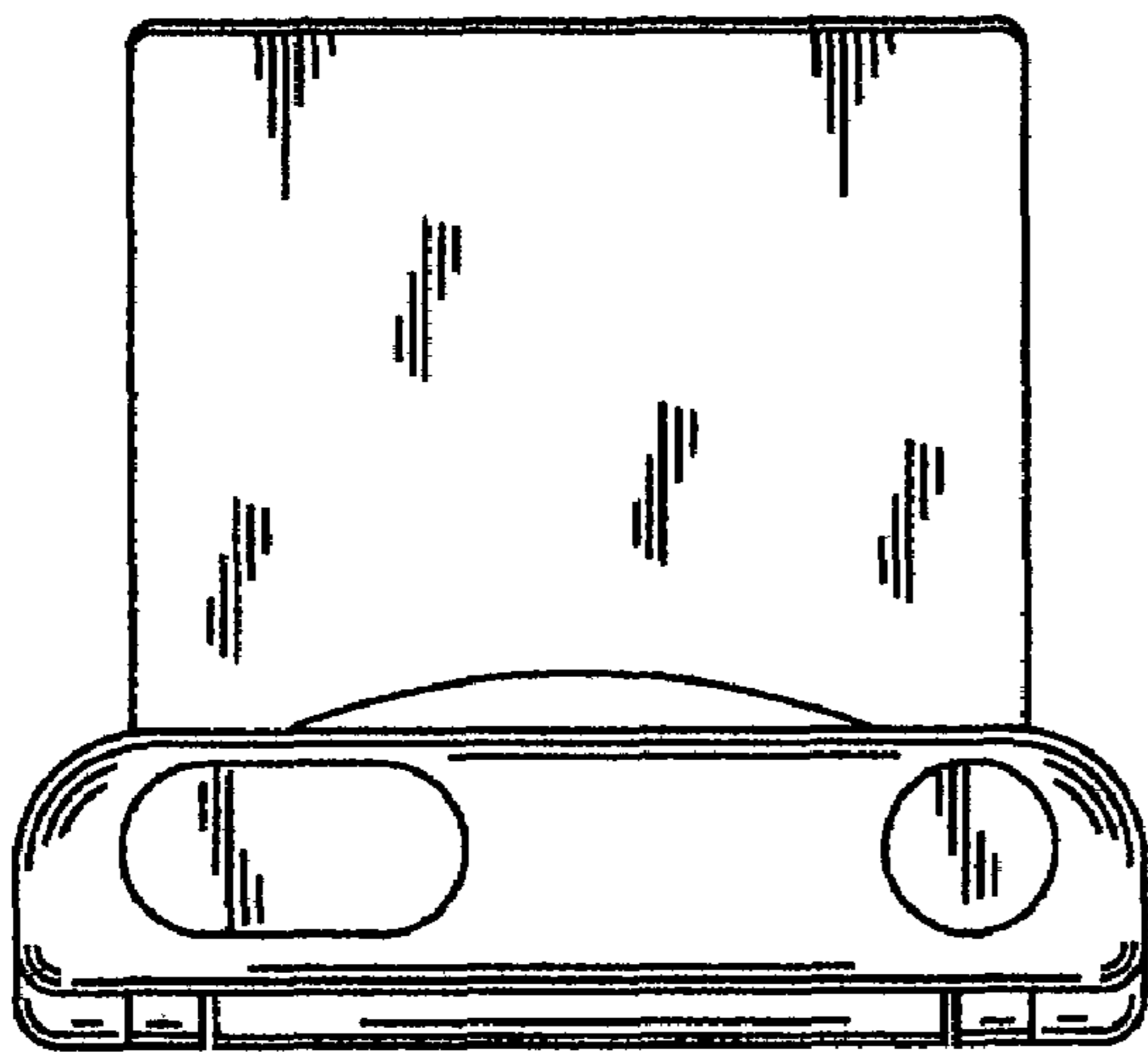


FIG. 5

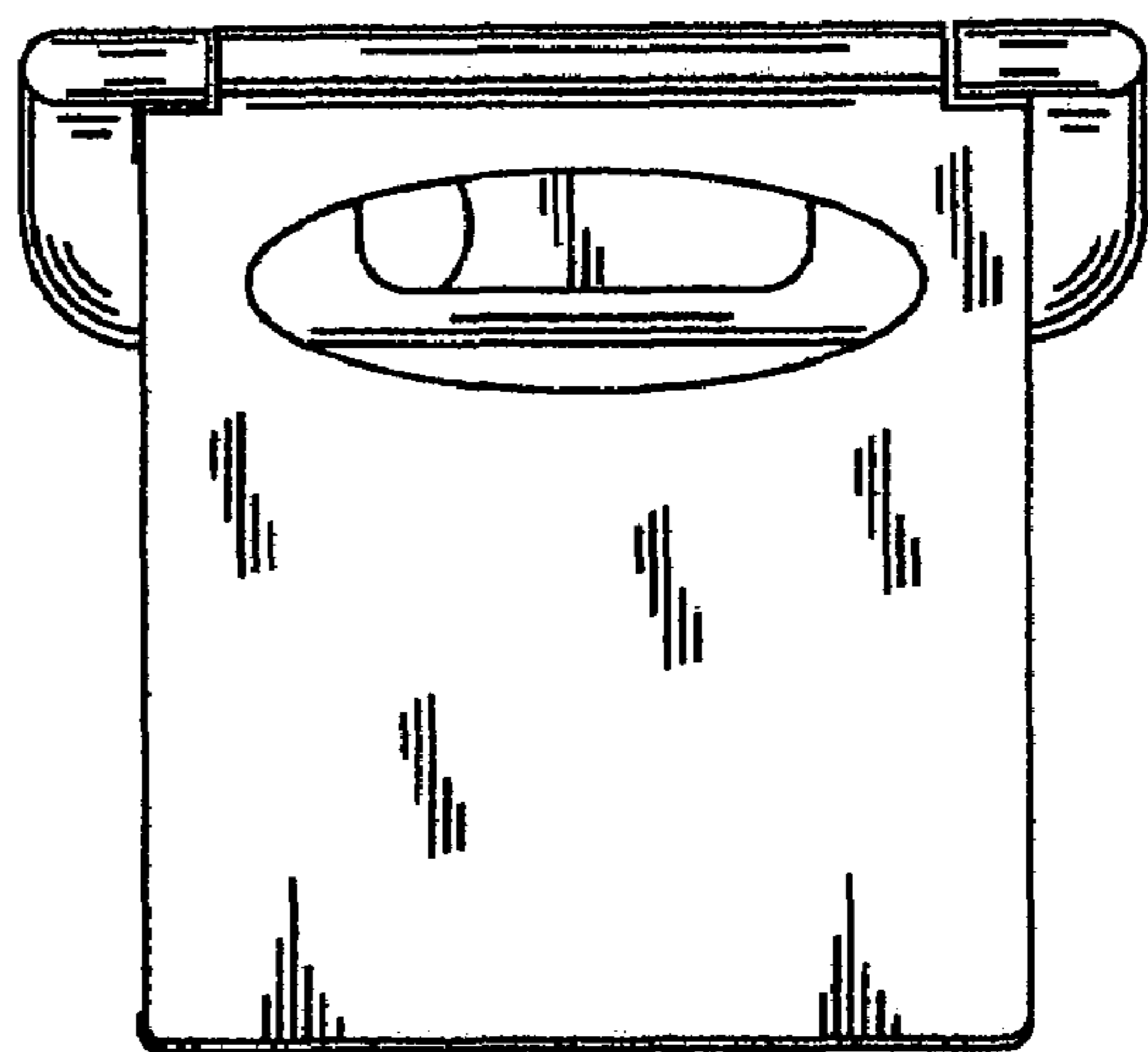


FIG. 7

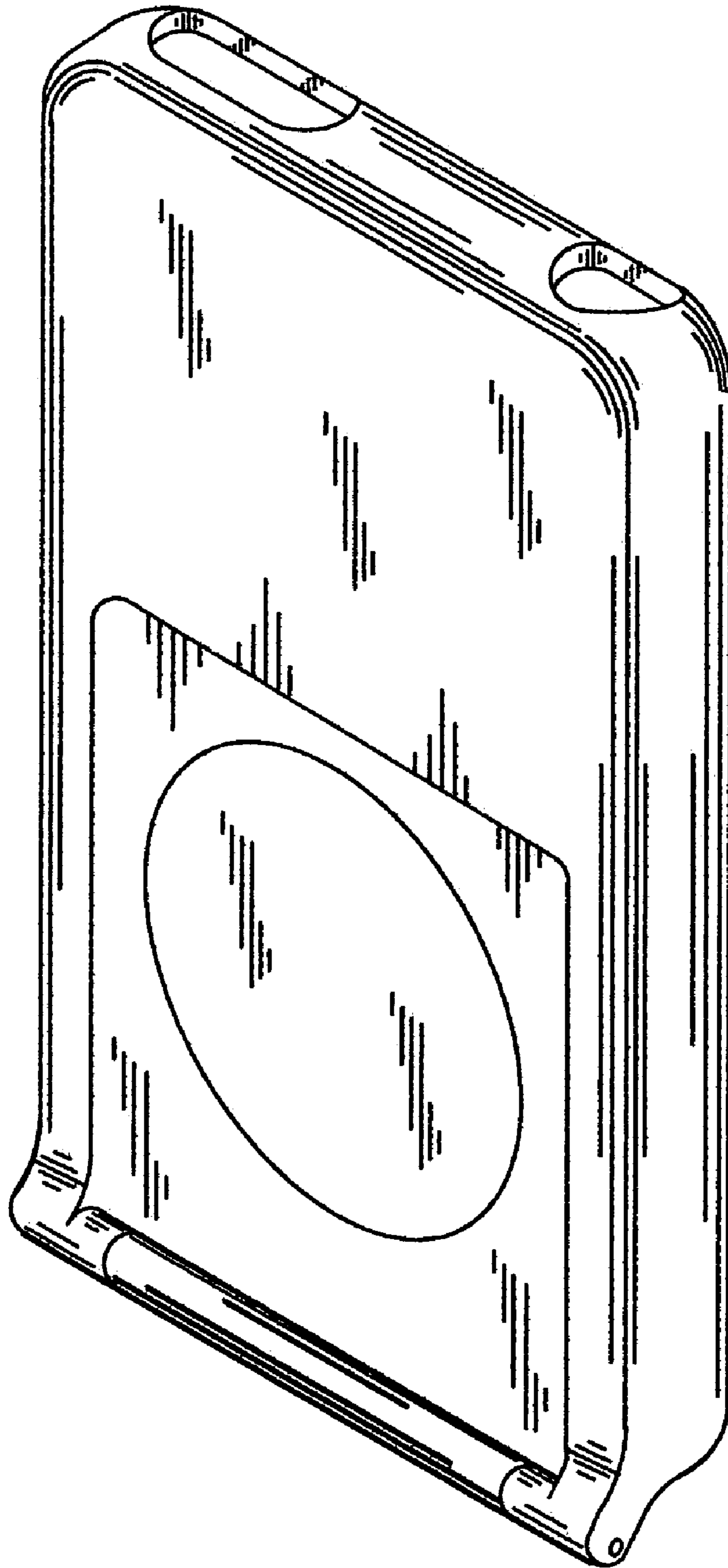


FIG. 9

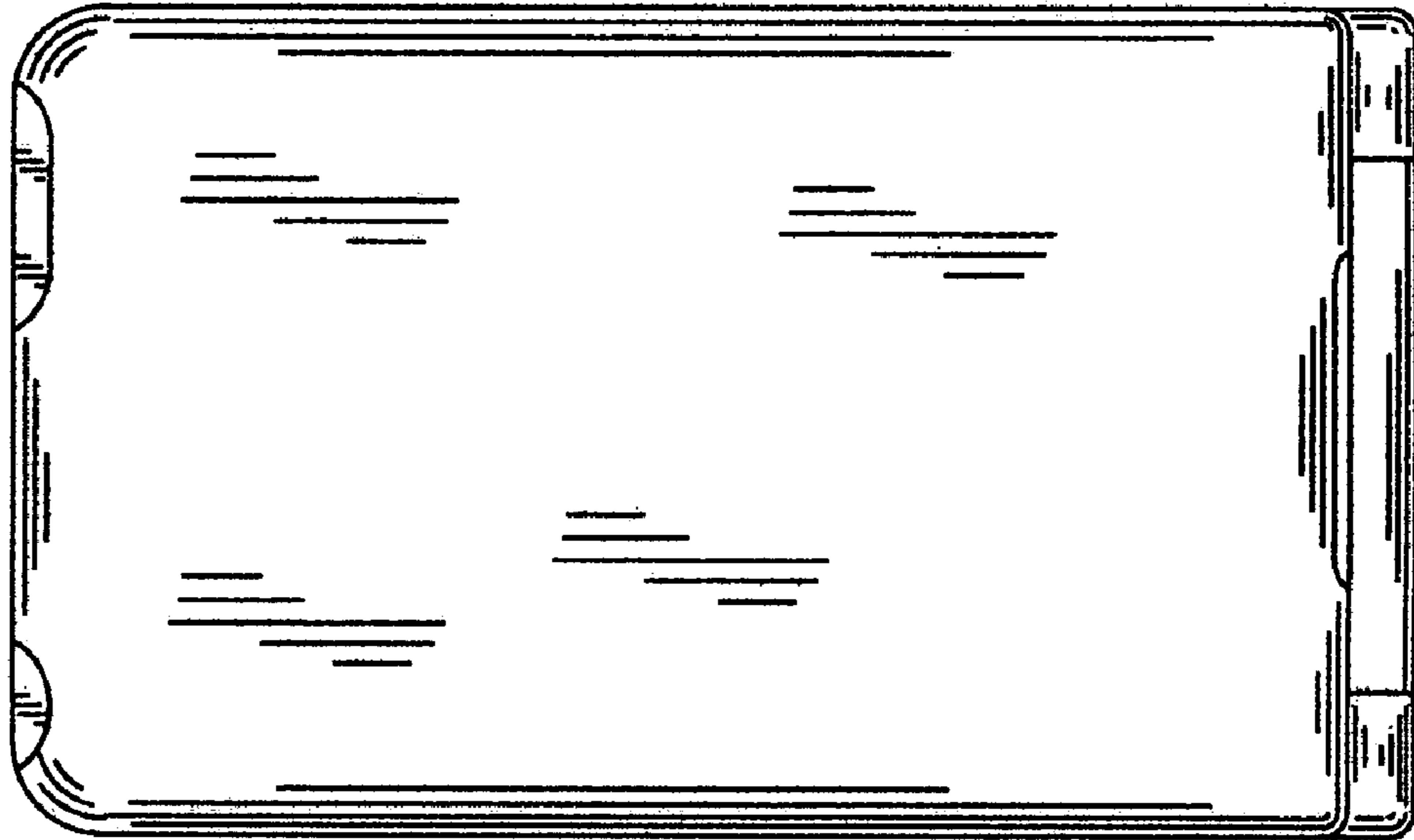


FIG. 8

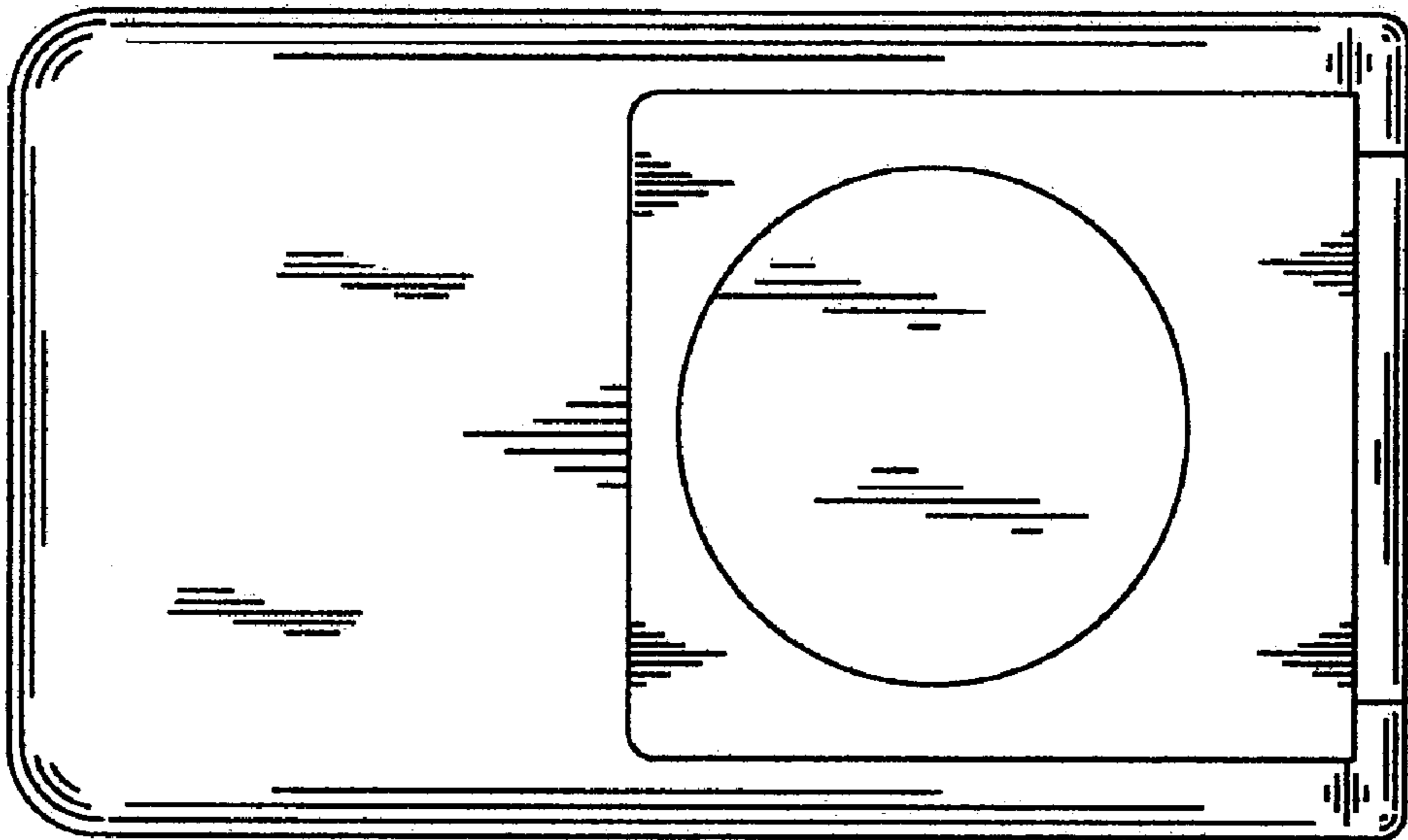




FIG. 10

FIG. 11

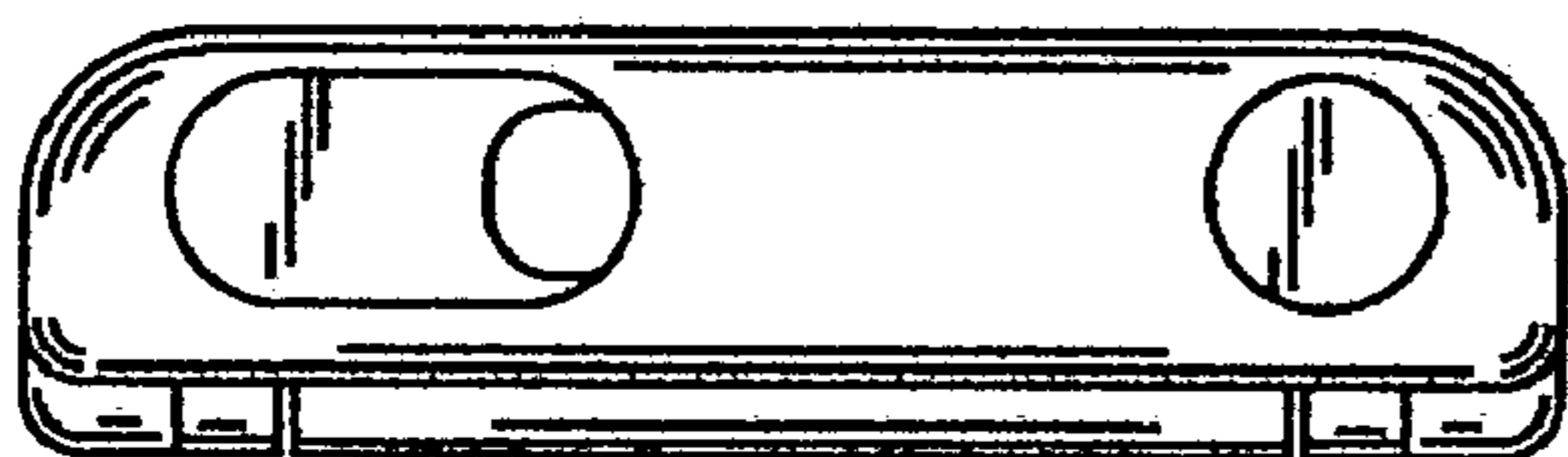


FIG. 12

