



US00D559528S

(12) **United States Design Patent**
Clarke

(10) **Patent No.:** **US D559,528 S**

(45) **Date of Patent:** **** Jan. 15, 2008**

(54) **UMBRELLA CANOPY**

(76) **Inventor:** **Dougan H. Clarke**, 2900 NW. 35th St.,
Miami, FL (US) 33142

(**) **Term:** **14 Years**

(21) **Appl. No.:** **29/238,392**

(22) **Filed:** **Sep. 14, 2005**

(51) **LOC (8) Cl.** **03-03**

(52) **U.S. Cl.** **D3/10**

(58) **Field of Classification Search** D3/5-17;
135/15.1, 16, 19.5, 20.1, 21-24, 25.1, 25.4,
135/25.7, 98

See application file for complete search history.

(56) **References Cited**

U.S. PATENT DOCUMENTS

D9,147 S	3/1876	Hirsh	
D14,944 S	4/1884	Drown	
D42,503 S	5/1912	Follmer	
D47,246 S	4/1915	Lieberg	
D47,559 S	7/1915	Henderson	
D56,043 S	8/1920	Weinberg et al.	
D115,071 S	5/1939	Rosenberg	
D186,009 S	8/1959	Lorinez	
3,252,469 A *	5/1966	Peake	135/25.31
D239,666 S	4/1976	Medlin	
4,347,862 A *	9/1982	Secon	135/20.1
D273,346 S	4/1984	Secon	
5,345,962 A *	9/1994	Moss	135/124
D373,465 S	9/1996	Chipman	
5,909,746 A	6/1999	Doster et al.	
D422,784 S	4/2000	Au	
6,196,241 B1	3/2001	Doolan	
D459,871 S *	7/2002	Persson	D3/5
D467,066 S	12/2002	You	

D475,524 S *	6/2003	Clarke	D3/5
D478,416 S	8/2003	Clarke	
D491,348 S *	6/2004	Clarke	D3/5
D491,720 S *	6/2004	Clarke	D3/5
D497,478 S *	10/2004	Clarke	D3/5
D516,294 S *	3/2006	Olson et al.	D3/5
2004/0206383 A1 *	10/2004	Clarke	135/41

* cited by examiner

Primary Examiner—Doris Clark

Assistant Examiner—Anhdao Doan

(74) *Attorney, Agent, or Firm*—Malloy & Malloy, P.A.

(57) **CLAIM**

The ornamental design for an umbrella canopy, as shown and described.

DESCRIPTION

FIG. 1 is a perspective view of the umbrella canopy design according to my invention showing four (4) rib and strut member pairs alternating in the operative position shown in terms of height, wherein the lengths of each rib member are the same;

FIG. 2 is a top view of the umbrella canopy design shown in FIG. 1 according to my invention;

FIG. 3 is a front view thereof;

FIG. 4 is a left side view thereof;

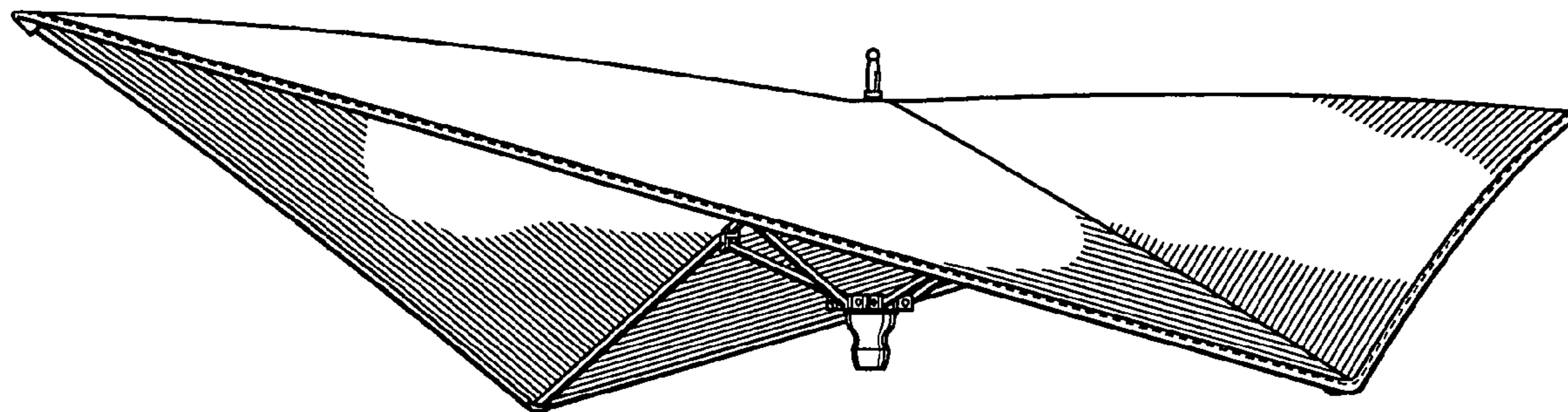
FIG. 5 is a rear view thereof;

FIG. 6 is a right side view thereof; and,

FIG. 7 is a bottom view thereof.

The broken lines shown in all views represent conventional stitching.

1 Claim, 4 Drawing Sheets



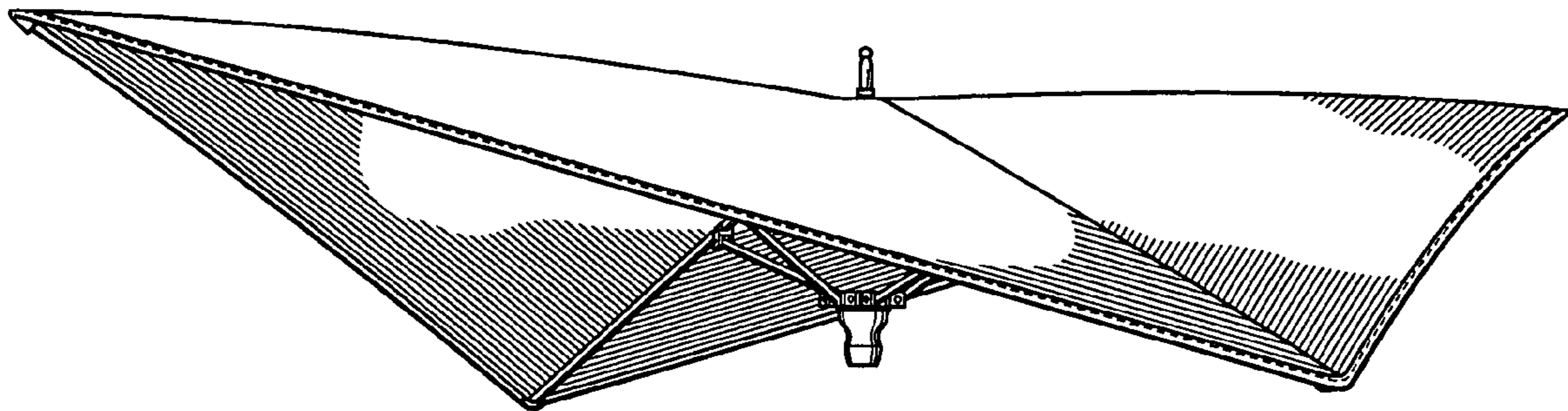


FIG. 1

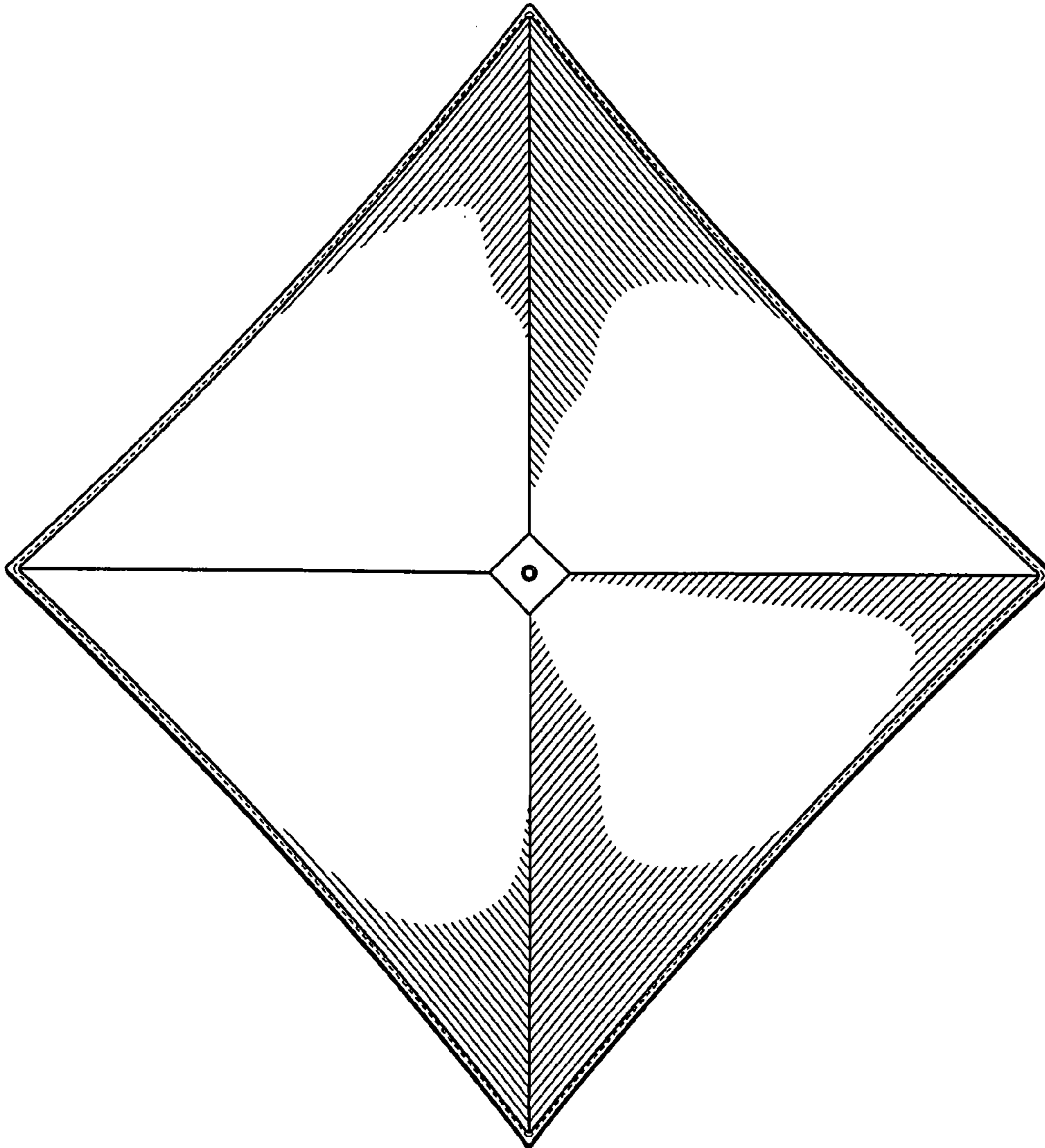


FIG. 2

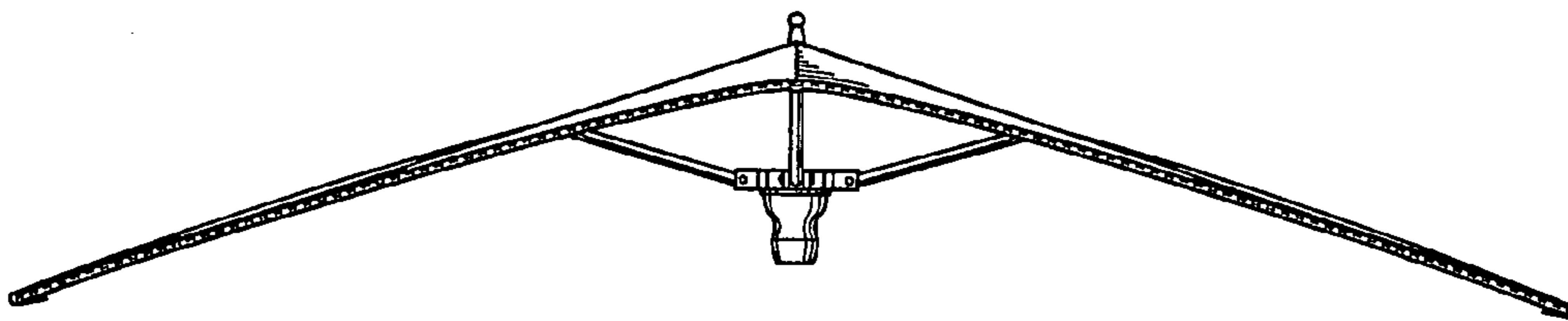


FIG. 3

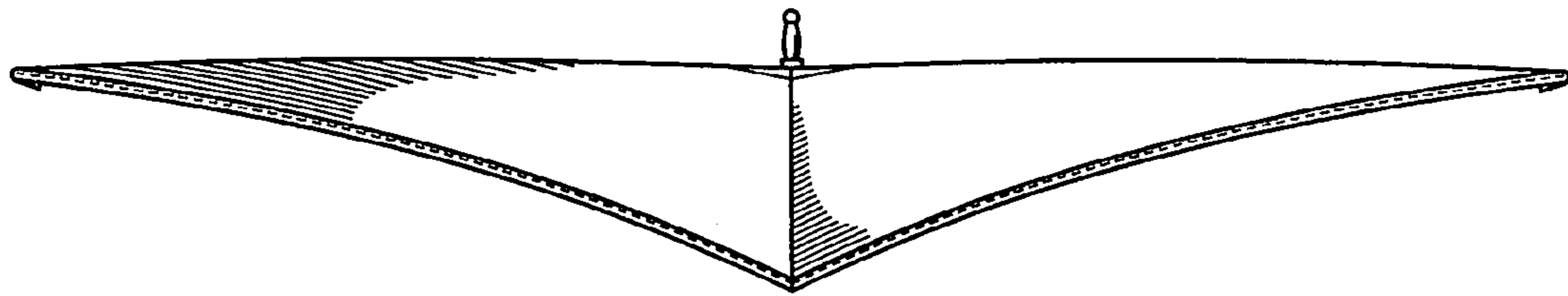


FIG. 4

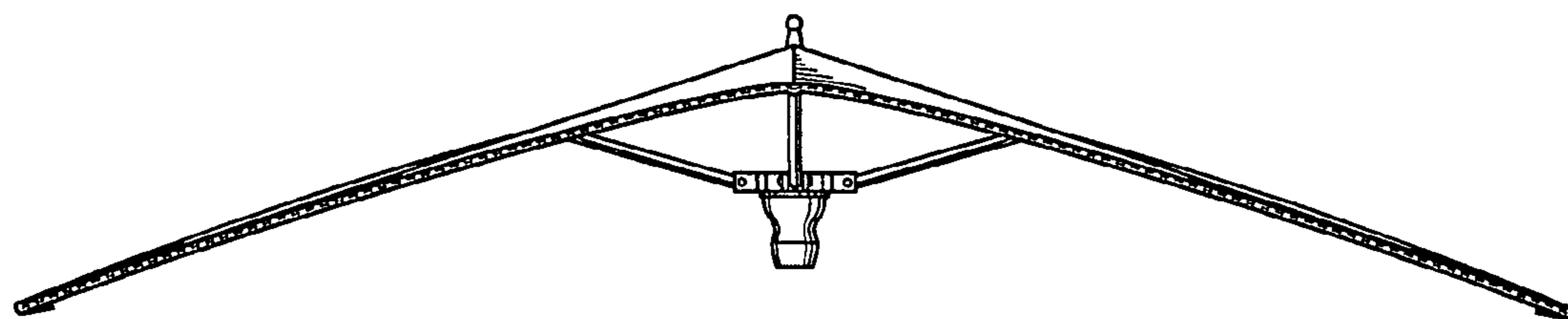


FIG. 5

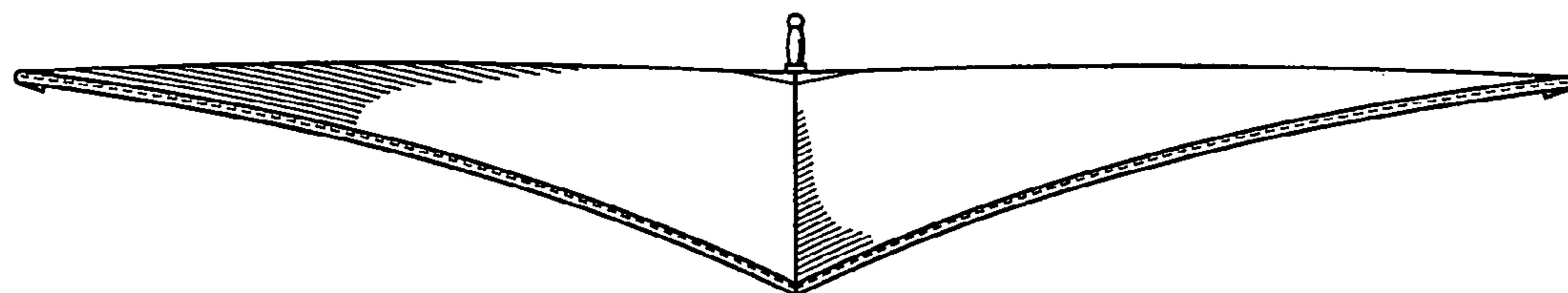


FIG. 6

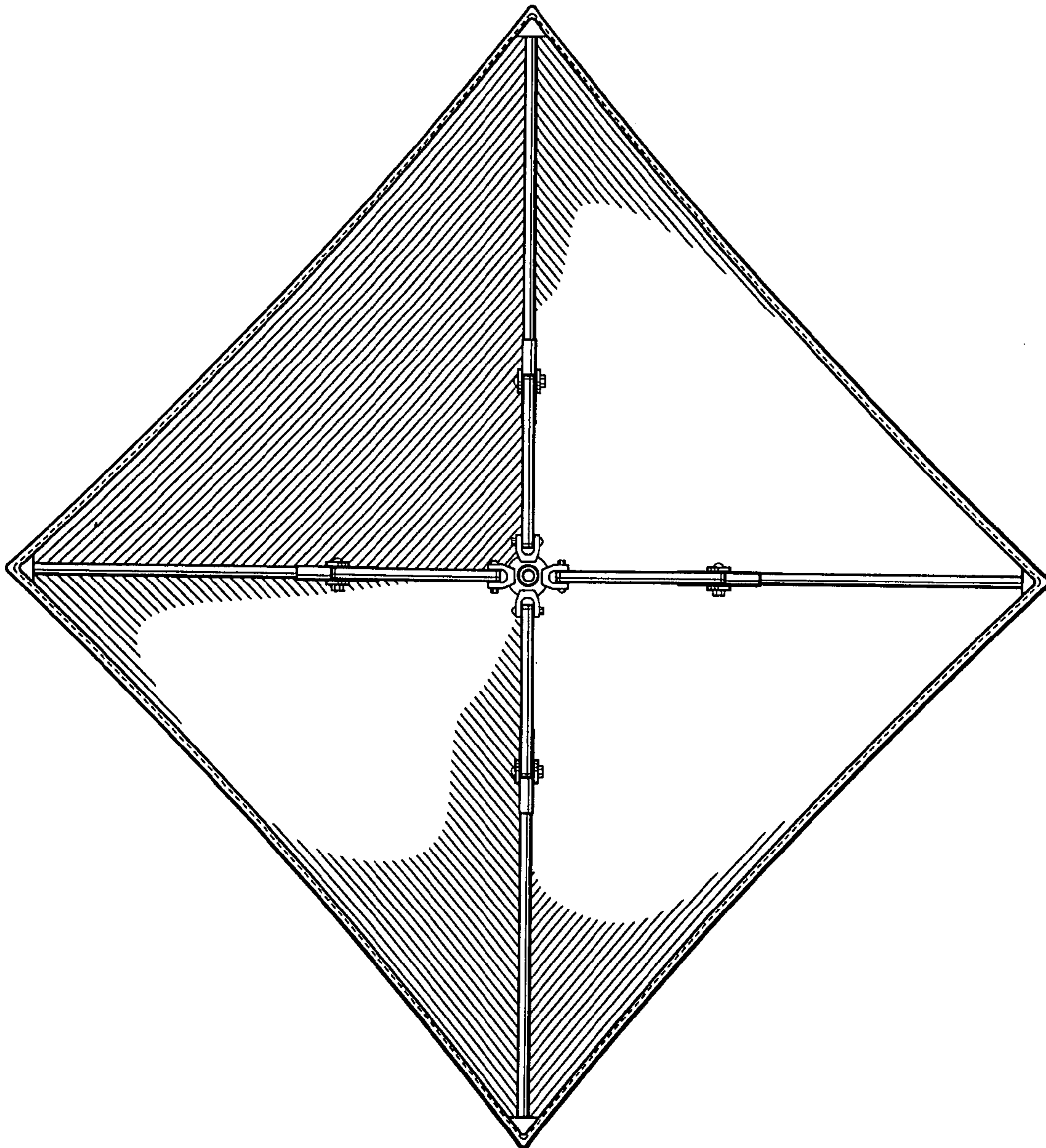


FIG. 7