



US00D559517S

(12) **United States Design Patent**
Belley et al.

(10) **Patent No.:** **US D559,517 S**
(45) **Date of Patent:** **** Jan. 15, 2008**

(54) **FOOTWEAR UPPER**
(75) Inventors: **Manon Belley**, Laval (CA); **Martin W. F. Dean**, St. Albans (GB)
(73) Assignee: **Wolverine World Wide, Inc.**, Rockford, MI (US)

D514,792 S 2/2006 Ardissono
D520,719 S * 5/2006 Della Valle D2/908
D538,013 S * 3/2007 Della Valle D2/907
D538,517 S * 3/2007 Della Valle D2/907
D546,050 S * 7/2007 Edwards D2/972
D546,545 S * 7/2007 DiTullo et al. D2/972

(**) Term: **14 Years**

A design for a part of a footwear shown on p. 199 of magazine "pen, No. 5, Mar. 15, 2006."

(21) Appl. No.: **29/260,069**

* cited by examiner

(22) Filed: **May 18, 2006**

Primary Examiner—Dominic Simone

(51) **LOC (8) Cl.** **02-99**

(74) *Attorney, Agent, or Firm*—Warner Norcross & Judd LLP

(52) **U.S. Cl.** **D2/969**

(58) **Field of Classification Search** D2/896,
D2/900, 902, 903, 905, 907, 908, 916, 919–921,
D2/923–925, 943, 944, 969, 972–974, 977;
36/8.1, 9 R, 10, 45, 50.1, 77 M, 77 R, 78,
36/83, 88, 112–114, 126–131

See application file for complete search history.

(57) **CLAIM**

The ornamental design for footwear upper, as shown and described.

(56) **References Cited**

DESCRIPTION

U.S. PATENT DOCUMENTS

D425,292 S 5/2000 Matis
D441,180 S 5/2001 Matis et al.
D444,936 S 7/2001 Matis et al.
D448,150 S 9/2001 Matis et al.
D480,553 S * 10/2003 Adams et al. D2/969
D481,859 S 11/2003 Belley et al.
D490,220 S * 5/2004 Edauw D2/908
D490,221 S * 5/2004 Edauw D2/908
D499,241 S 12/2004 Belley et al.
D500,406 S 1/2005 Belley et al.
D500,915 S 1/2005 Belley et al.
D502,798 S 3/2005 Belley et al.
D505,005 S 5/2005 Bandini et al.
D505,252 S 5/2005 Belley et al.
D506,601 S 6/2005 Bandini et al.
D513,555 S 1/2006 Le

FIG. 1 is a perspective view of the footwear upper embodying the new design;

FIG. 2 is a top view thereof;

FIG. 3 is a right side view thereof;

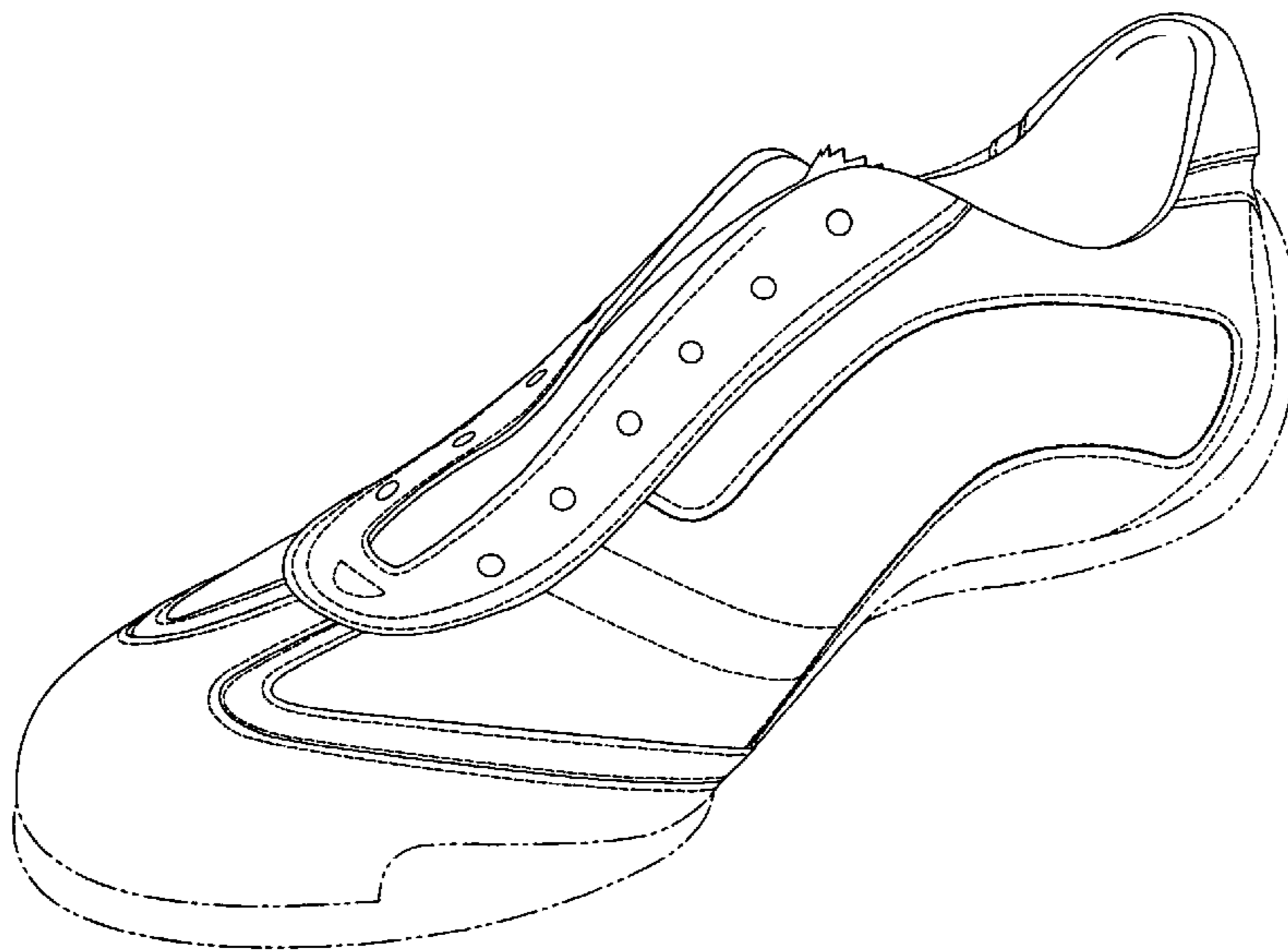
FIG. 4 is a left side view thereof;

FIG. 5 is a front view thereof; and,

FIG. 6 is a rear view thereof.

FIGS. 1–6 show features of an article of footwear in phantom lines. These features are shown for environmental purposes and do not form any part of the claimed design. Further, the phantom lines immediately adjacent the solid-line portions of the design form the boundary of the design, with the phantom lines forming no part of the claimed design.

1 Claim, 4 Drawing Sheets



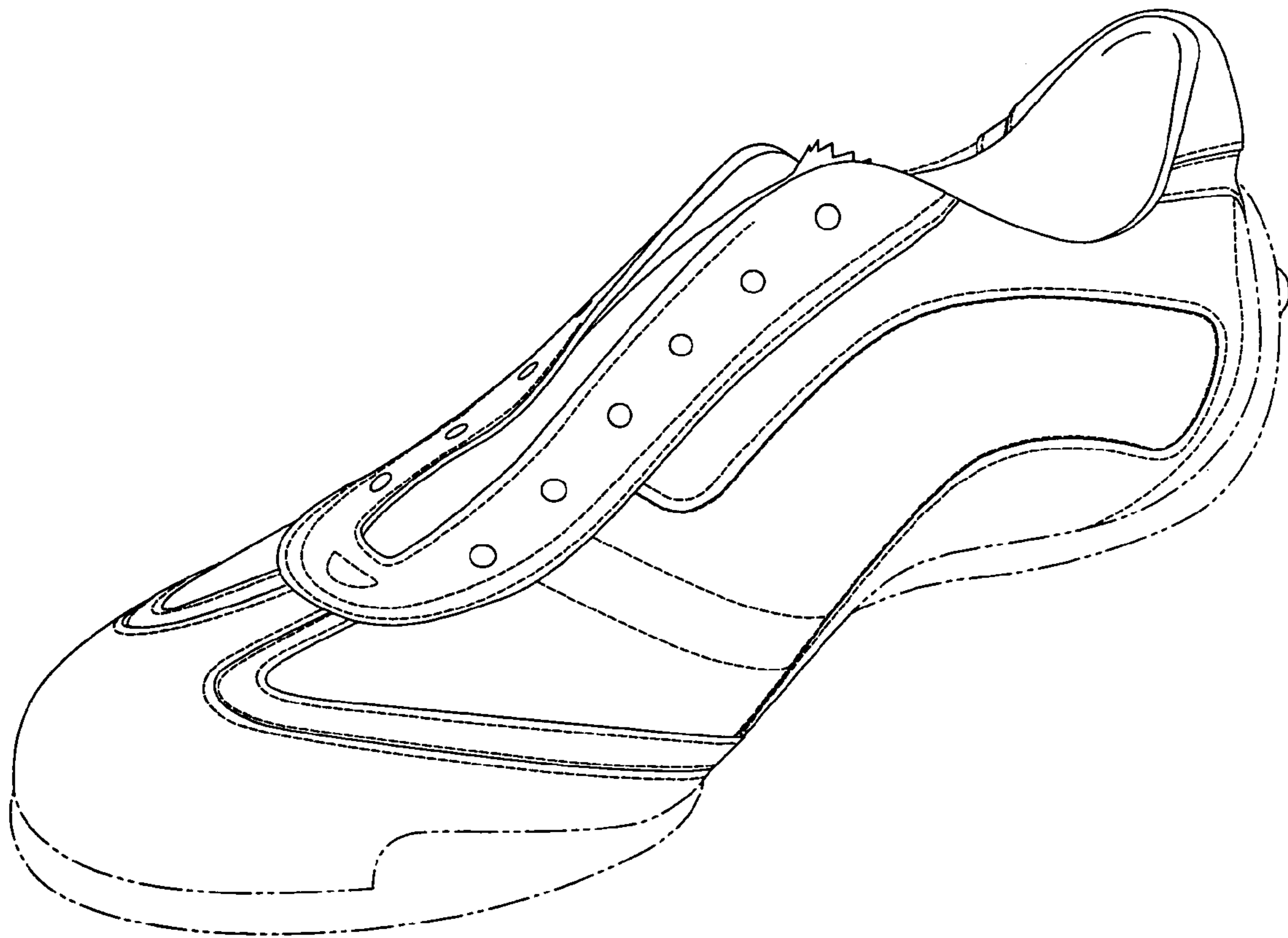


Fig. 1

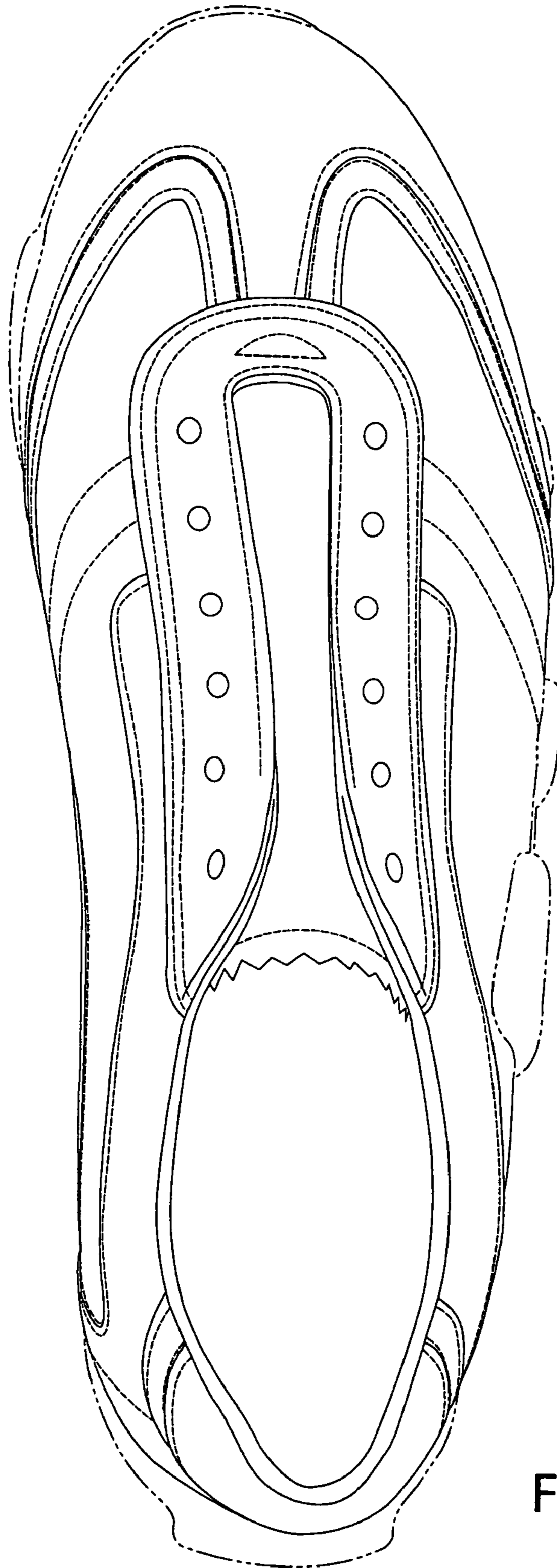


Fig. 2

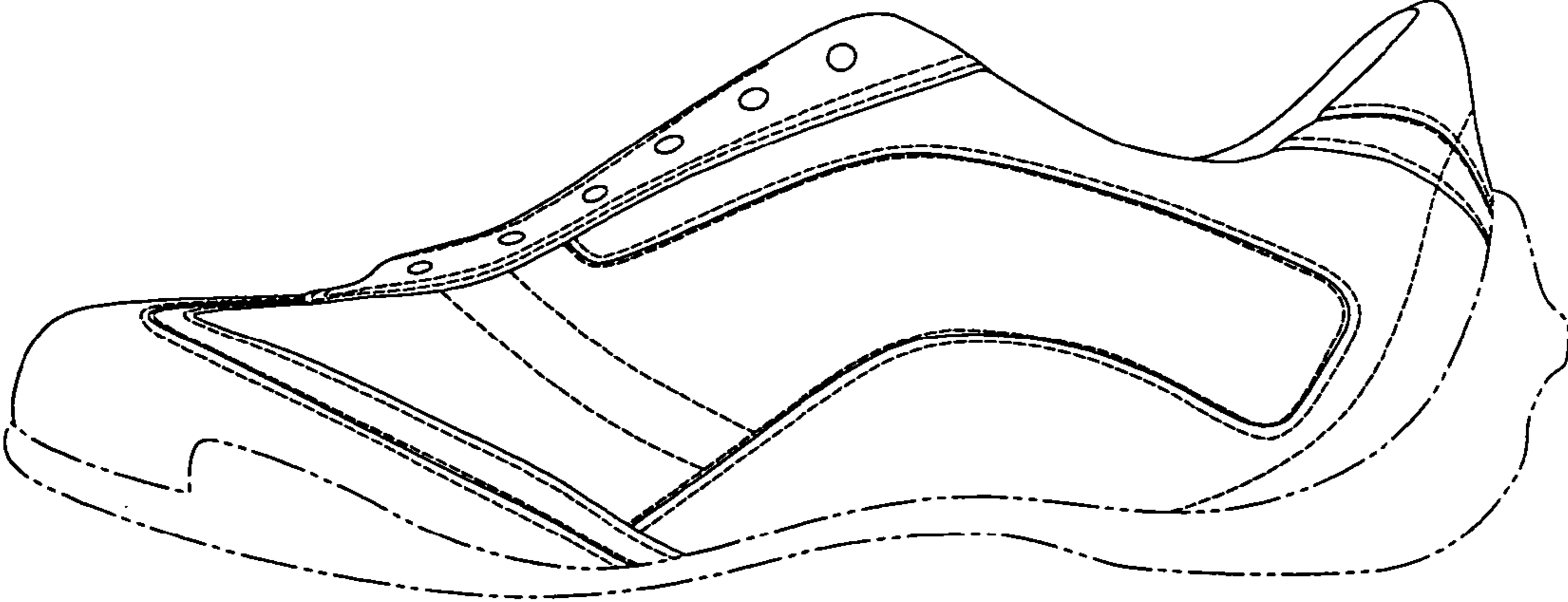


Fig. 3

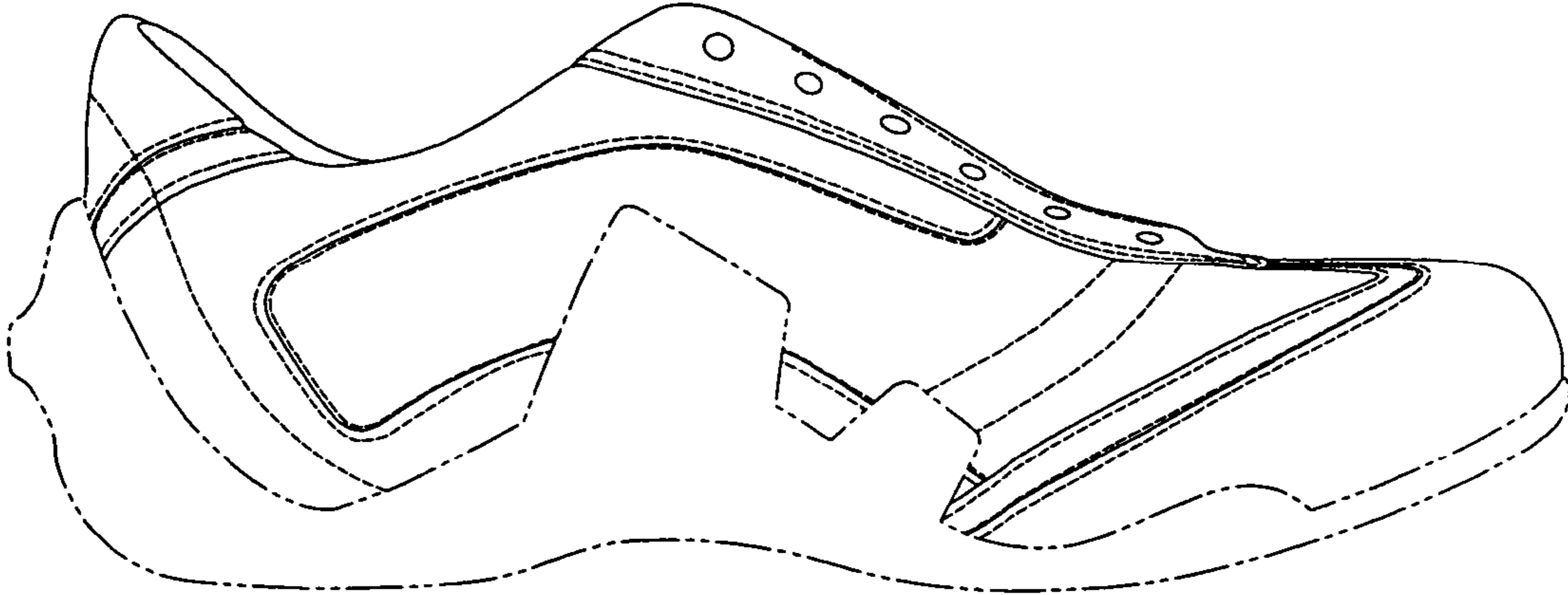


Fig. 4

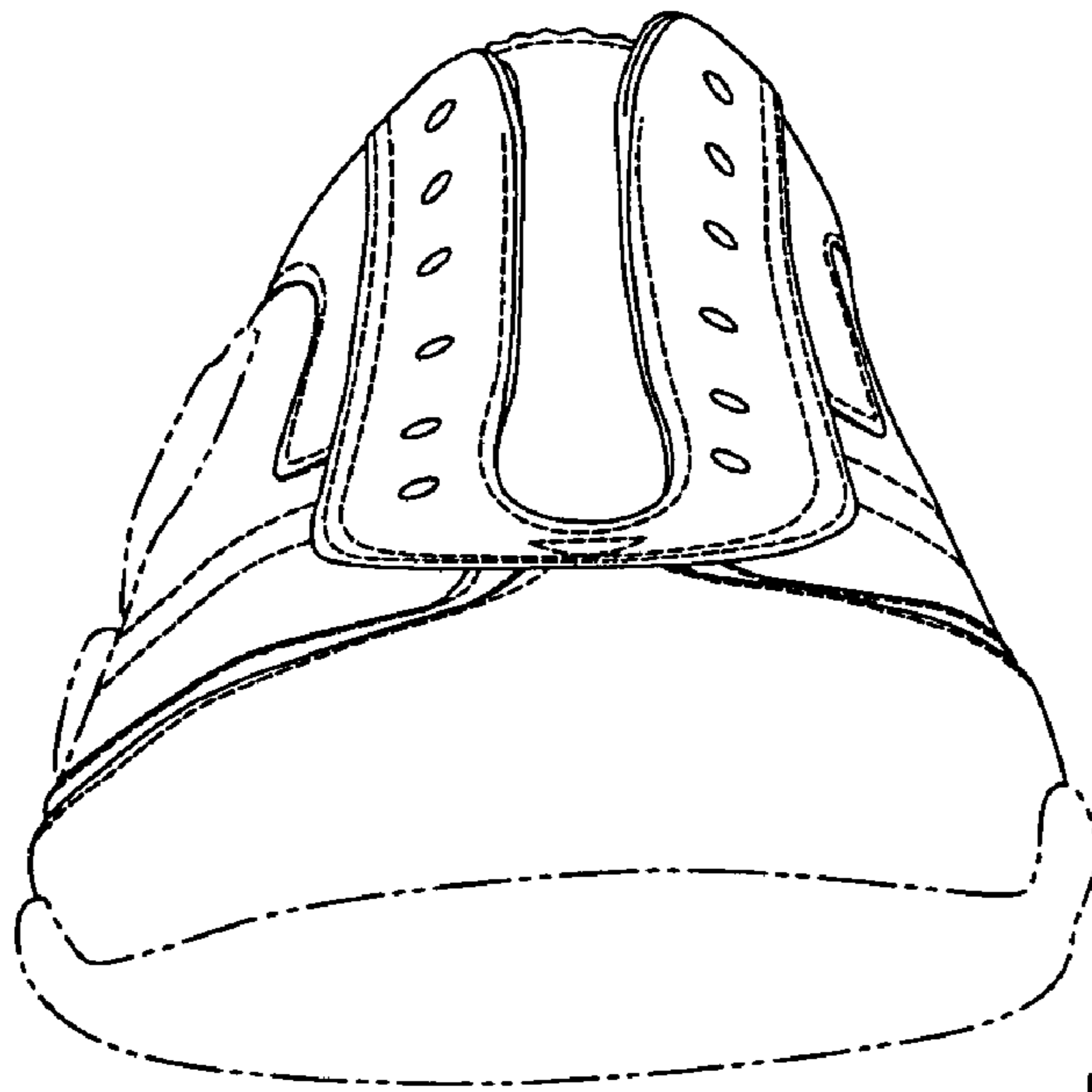


Fig. 5

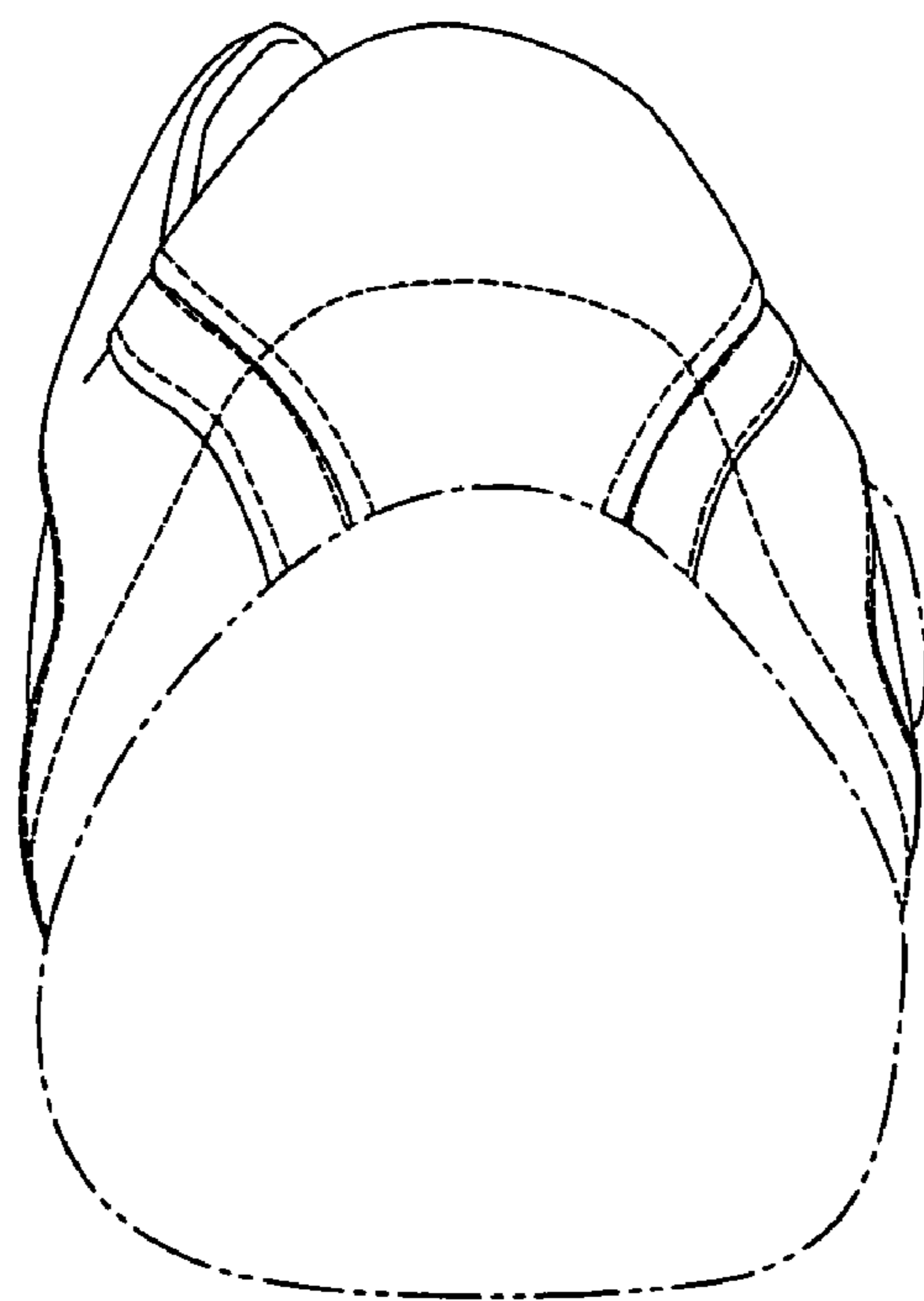


Fig. 6