



US00D559504S

(12) **United States Design Patent**
Wilkenfeld et al.

(10) **Patent No.:** **US D559,504 S**
(45) **Date of Patent:** **** Jan. 15, 2008**

(54) **DANCE FOOTWEAR**

(75) Inventors: **David Wilkenfeld**, Sydney (AU);
Felicia Leoncelli, Sydney (AU)

(73) Assignee: **PointeNoir Pty Ltd.** (AU)

(**) Term: **14 Years**

(21) Appl. No.: **29/233,219**

(22) Filed: **Jun. 28, 2005**

(51) **LOC (8) Cl.** **02-04**

(52) **U.S. Cl.** **D2/902**

(58) **Field of Classification Search** D2/896,
D2/902, 907, 915, 936, 941; D24/192; 2/239,
2/409; 36/3 A, 7.1 R, 83; 602/30, 66
See application file for complete search history.

(56) **References Cited**

U.S. PATENT DOCUMENTS

726,778	A	4/1903	Smith	
900,881	A	10/1908	Parker	
1,754,054	A	4/1930	Selva	
1,930,188	A *	10/1933	Arthur	602/66
2,237,652	A *	4/1941	Capezio	36/8.3
2,252,315	A	8/1941	Doree	
2,596,038	A *	5/1952	Mayer	602/30
4,277,897	A	7/1981	O'Connell	
4,495,715	A	1/1985	Fredrickson et al.	
4,944,099	A	7/1990	Davis	
5,257,969	A	11/1993	Mance	
5,865,779	A *	2/1999	Gleason	602/30
5,867,838	A *	2/1999	Corry	2/239
5,956,868	A	9/1999	Stevens et al.	
6,018,888	A	2/2000	Wilkenfeld et al.	
D437,105	S	2/2001	Mahjied	
D499,807	S *	12/2004	Stauffer	D24/192
2002/0078591	A1	6/2002	Morrone	
2006/0196078	A1	9/2006	Terlizzi et al.	
2006/0288609	A1	12/2006	Wilkenfeld et al.	
2007/0006486	A1	1/2007	Wilkenfeld et al.	

FOREIGN PATENT DOCUMENTS

WO WO 99/051117 10/1999
WO WO 2006/037154 4/2006

OTHER PUBLICATIONS

Capezio, dancesport, dancewear, bodywear, dance sneakers, capezio shoes; 1 page—Footundeez, H07. <http://www.capeziodance.com/page.jsp?s=6&p=1462>; printed Jun. 27, 2005, believed to have been published prior to the earliest effective filing date for this application.

(Continued)

Primary Examiner—Dominic Simone
Assistant Examiner—Rashida C. McCoy
(74) *Attorney, Agent, or Firm*—Ganzlaw, P.C.

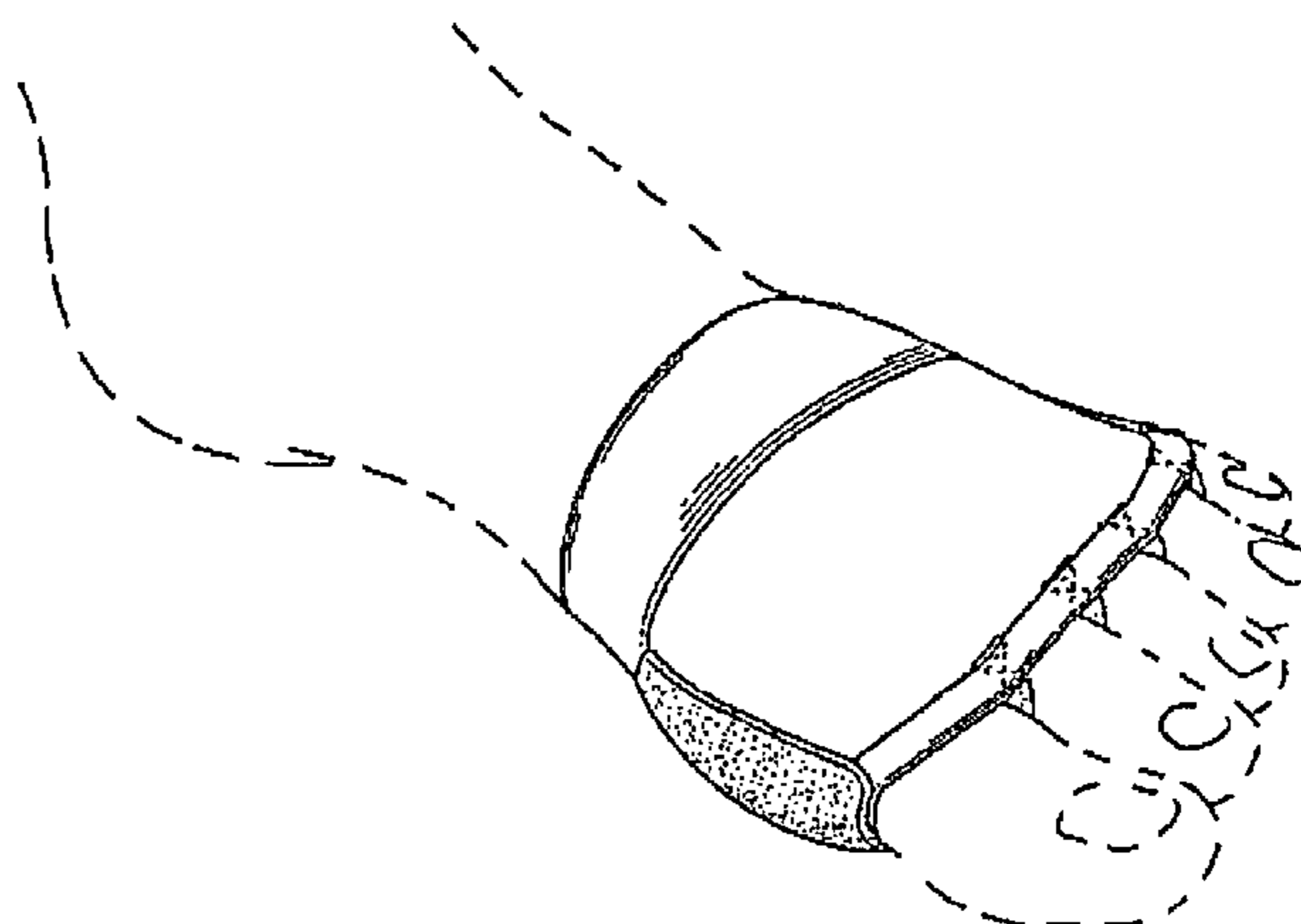
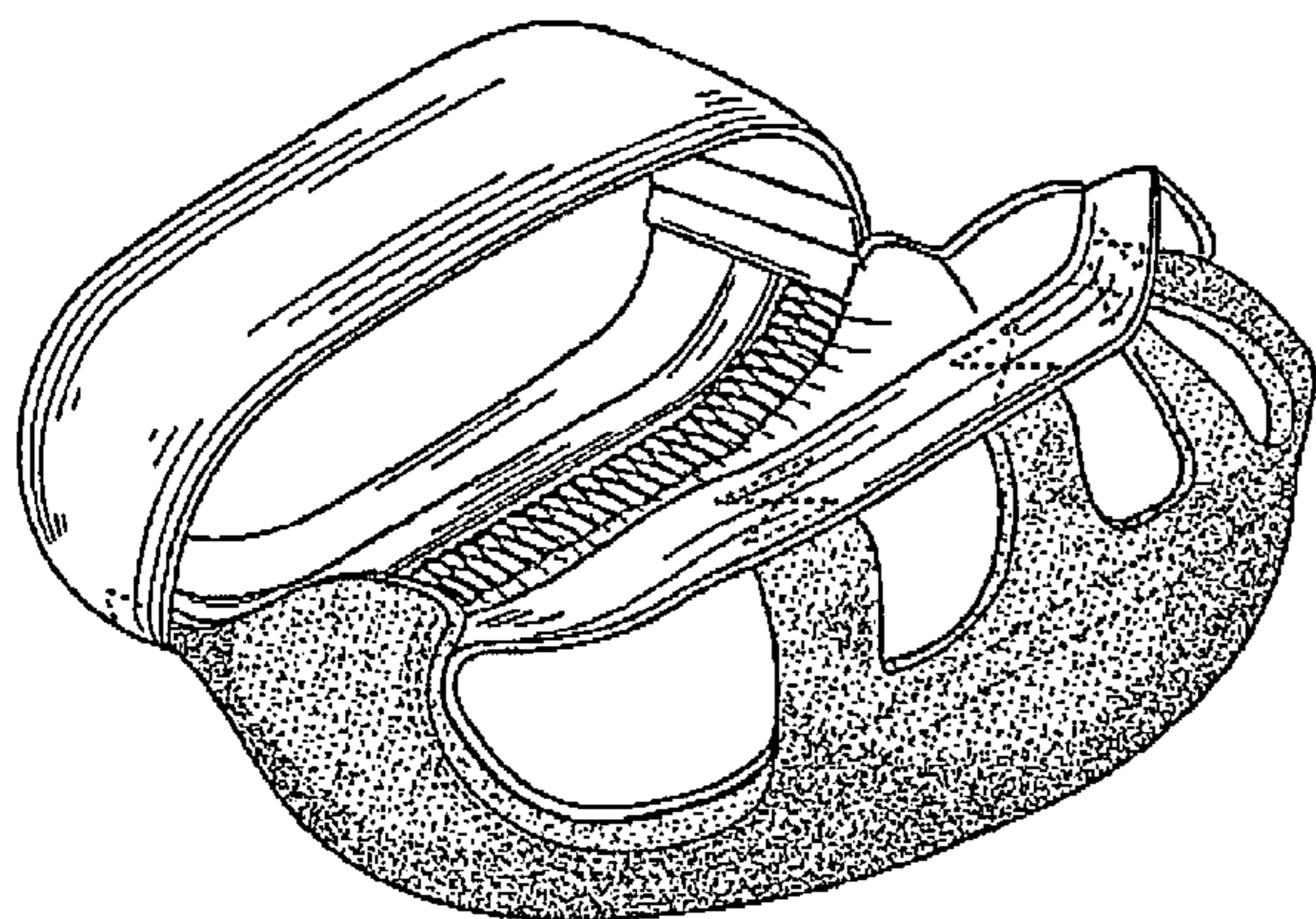
(57) **CLAIM**

The ornamental design for dance footwear, as shown and described.

DESCRIPTION

FIG. 1 is an enlarged front, side perspective view of dance footwear showing our new design;
FIG. 2 is a reduced front, side perspective view thereof, in use condition;
FIG. 3 is a reduced front, side perspective view opposite to FIG. 1, in use condition;
FIG. 4 is a side elevational view;
FIG. 5 is a side elevational view;
FIG. 6 is a front elevational view;
FIG. 7 is a rear elevational view;
FIG. 8 is a top plan view; and,
FIG. 9 is a bottom plan view.
Broken lines showing features of the shoe, and any showing of a wearer's foot and leg, are for illustrative purposes only and form no part of the claimed design.

1 Claim, 6 Drawing Sheets



OTHER PUBLICATIONS

Save your Sole with Dance Paws (R) Barefoot Dancers—(c) Dance Paws LLC 2002, All Rights Reserved, Patent Pending, 1 page of Search Results from WayBackMachine, 2 pages printed from Nov. 28, 2002 <http://web.archive.org/web/20021124044203/www.dancepaws.com/top/home.html>.

PCT International Search Report and Written Opinion dated Nov. 7, 2005 prepared by ISA/AU for PCT Appl. No. PCT/AU2005/001504; filed Sep. 29, 2005; 11 pages.

Wilkenfeld, David; Dance Footwear; Non-published U.S. Appl. No. 29/247,193, filed Jun. 5, 2006, 7 pages.

* cited by examiner

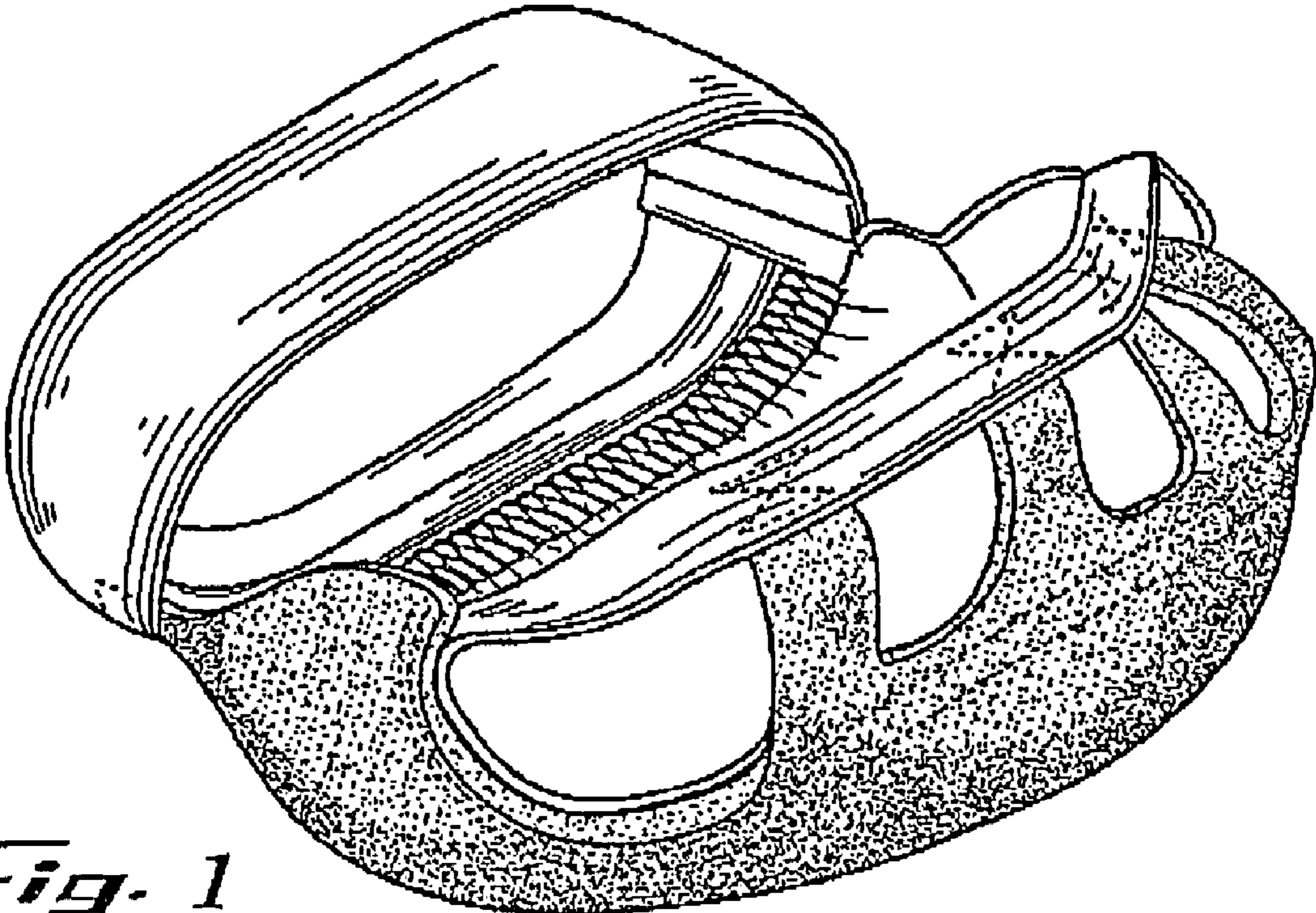


Fig. 1

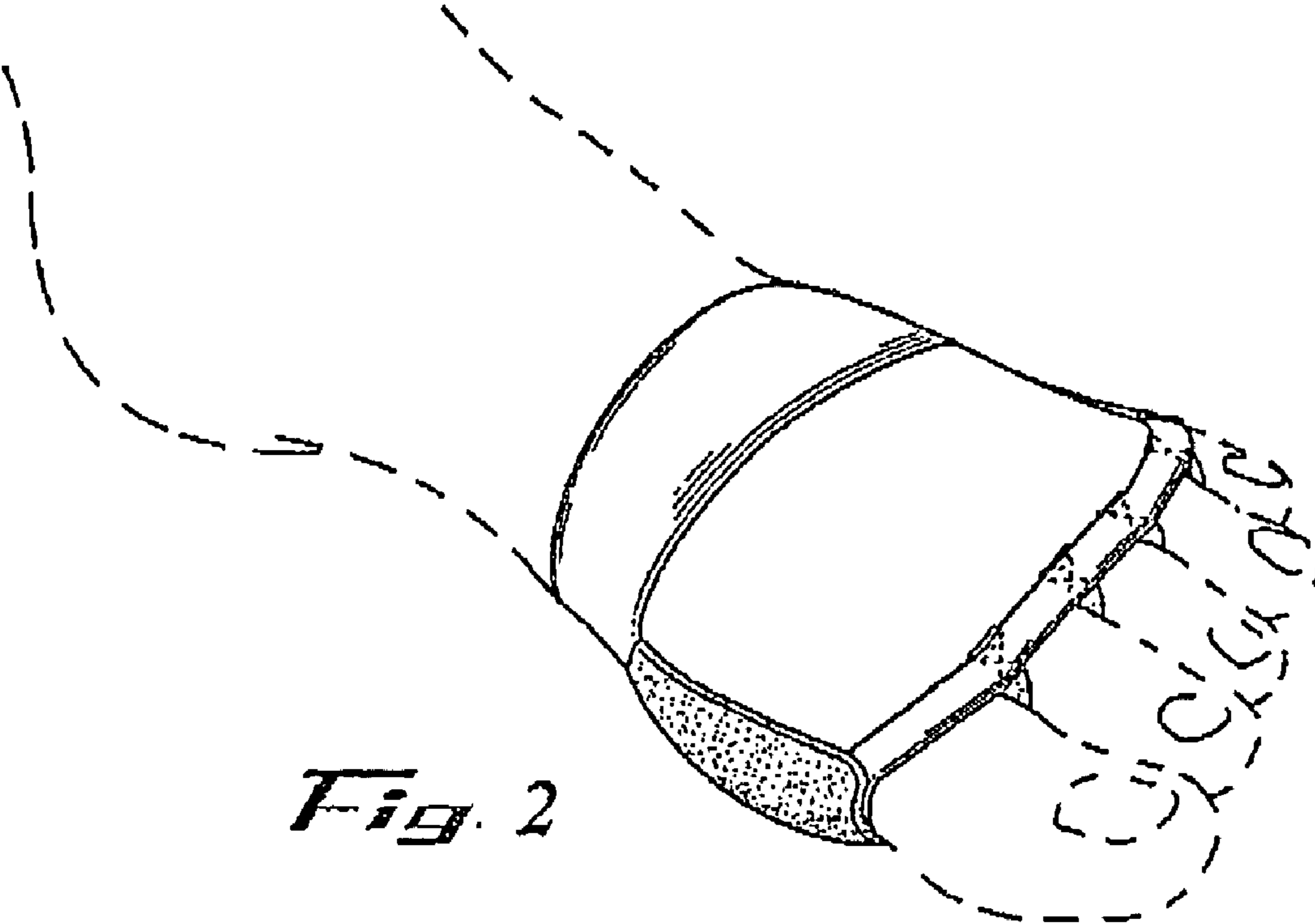


Fig. 2

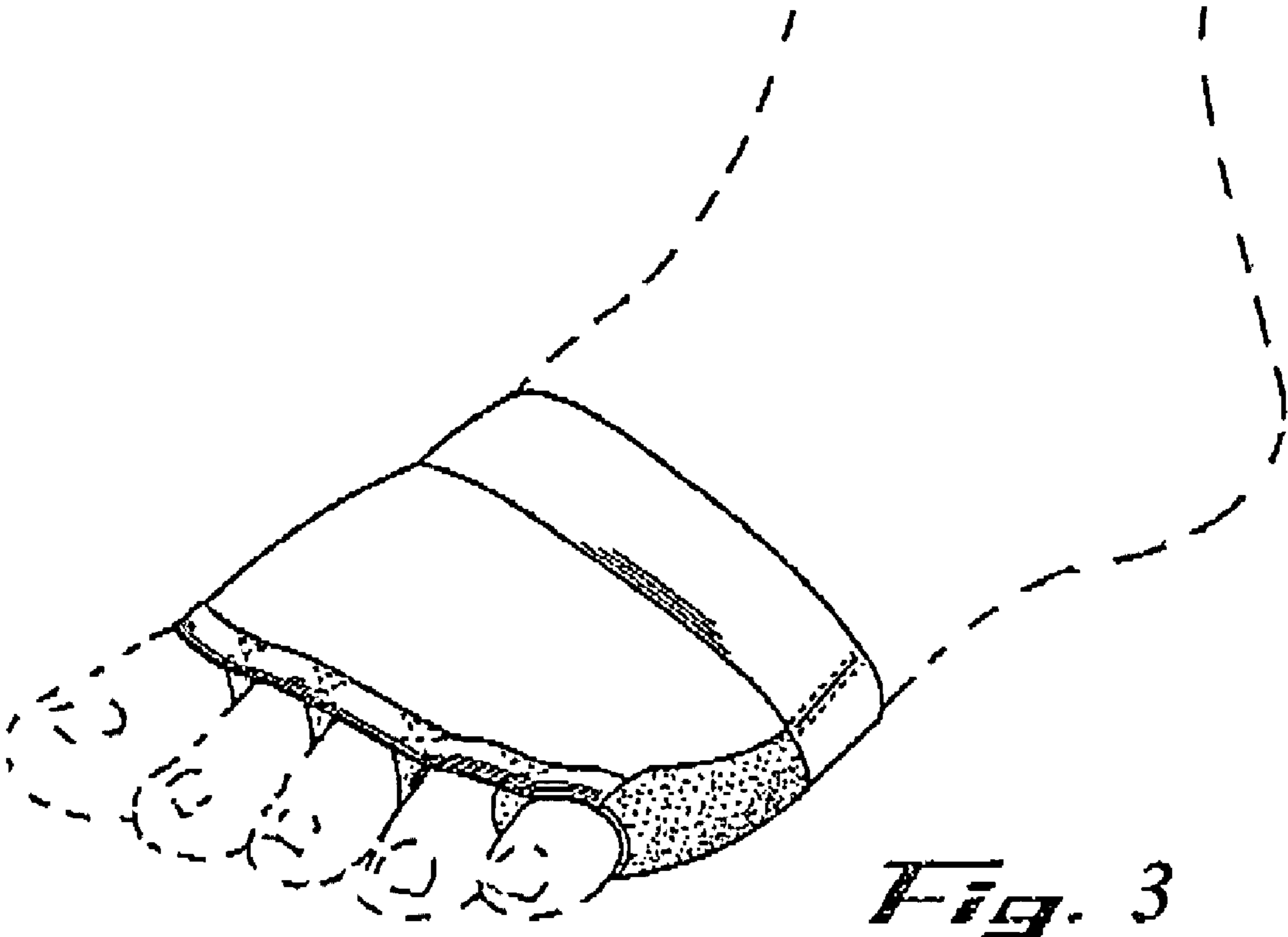


Fig. 3

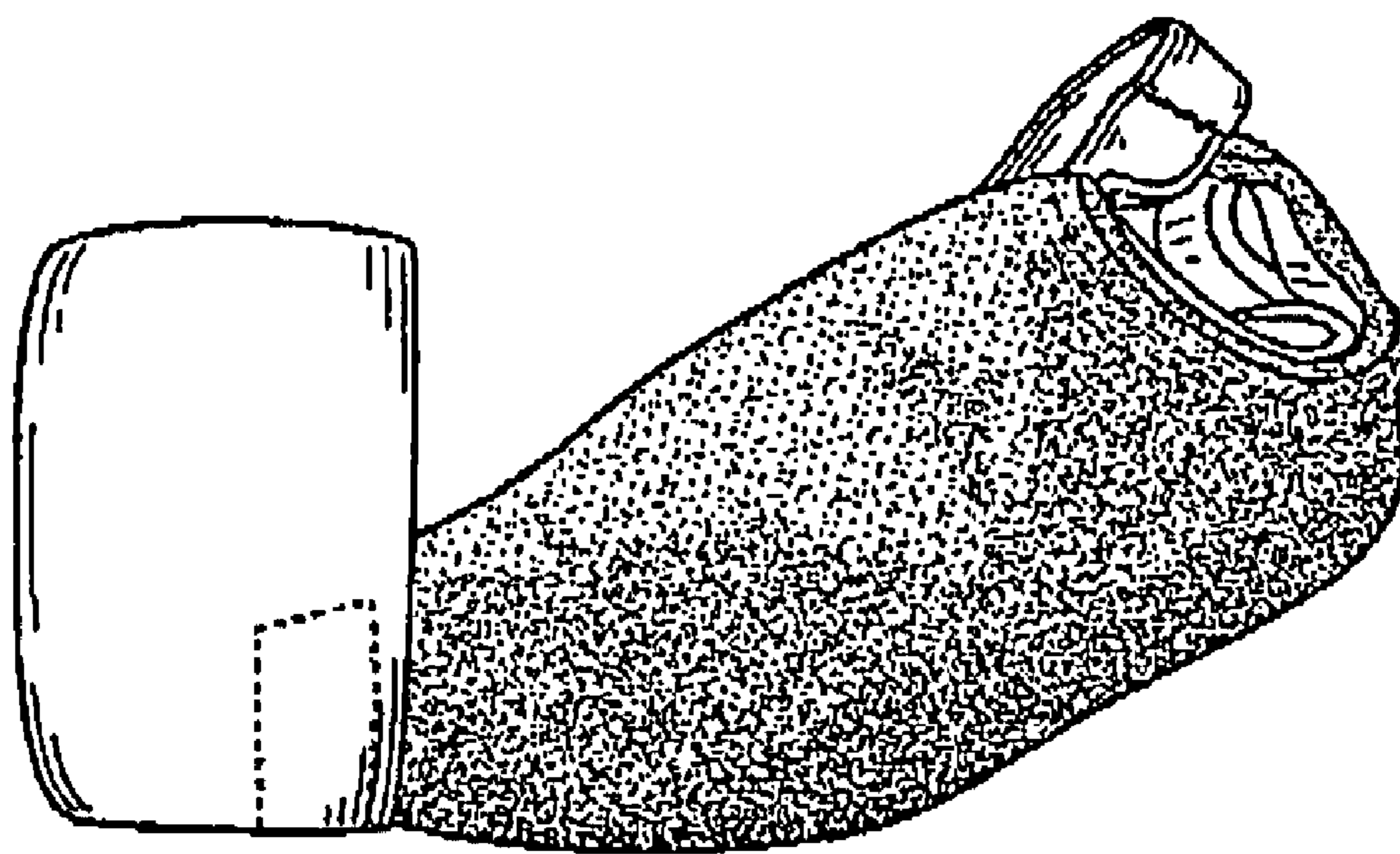


Fig. 4

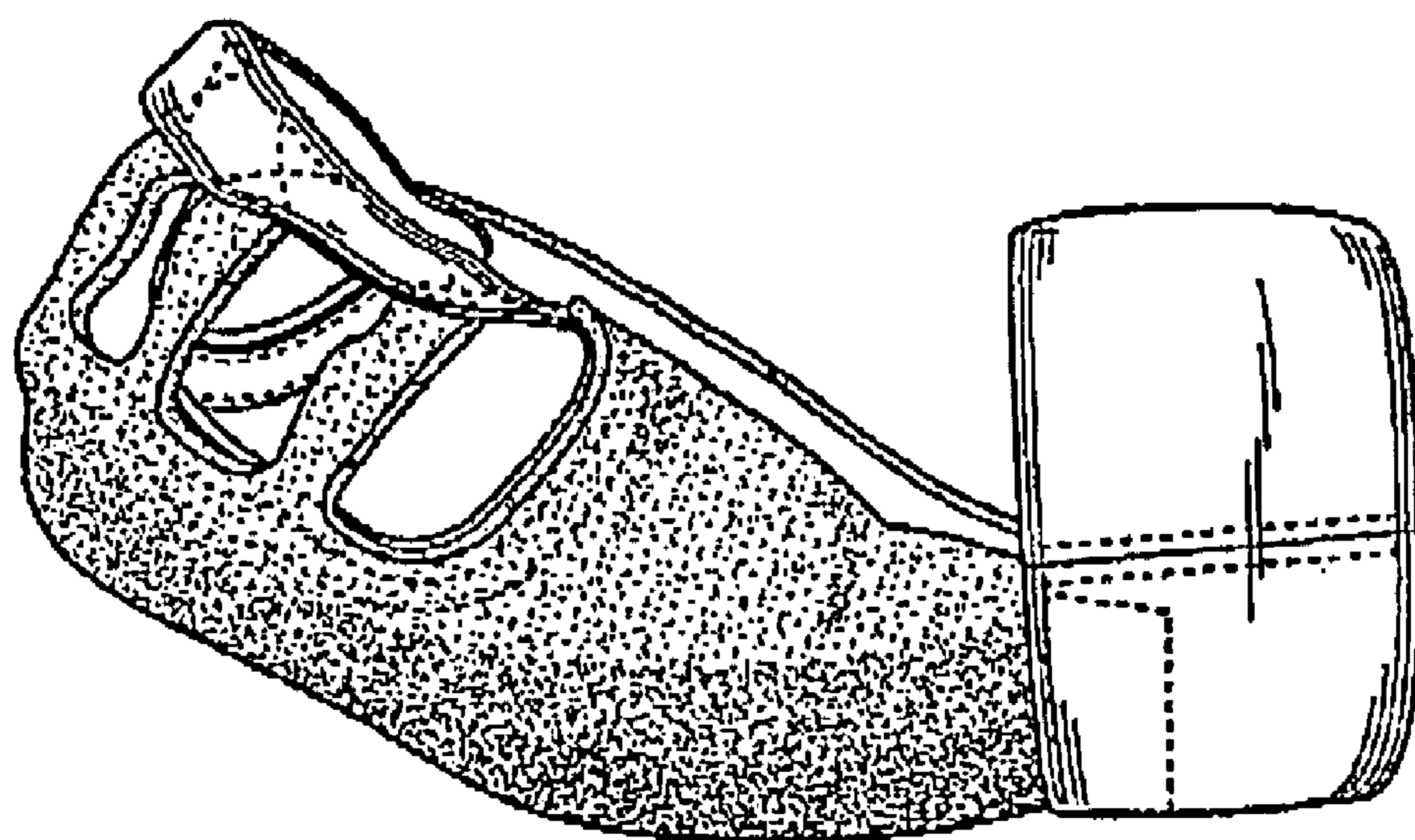


Fig. 5

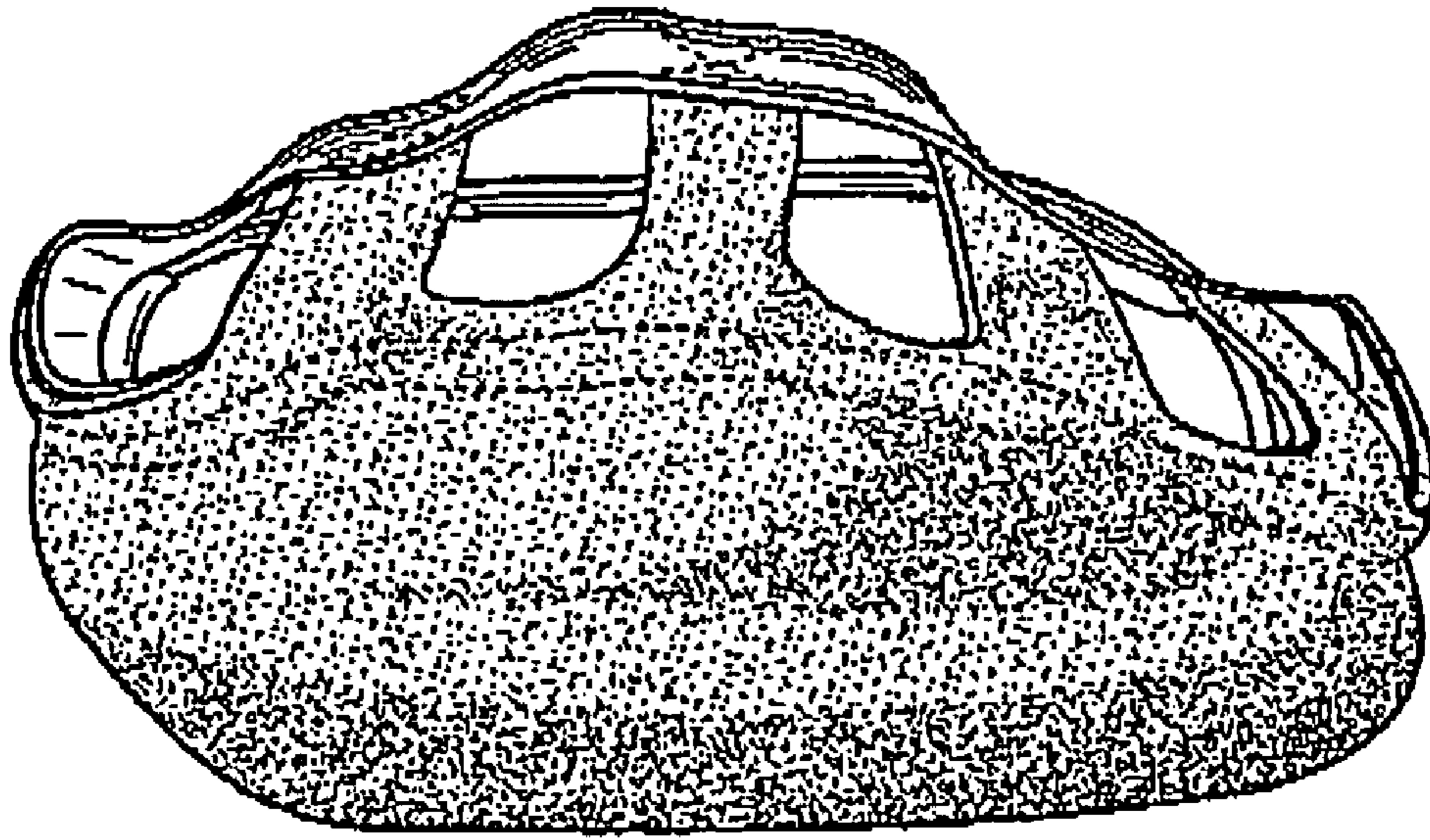


Fig. 6

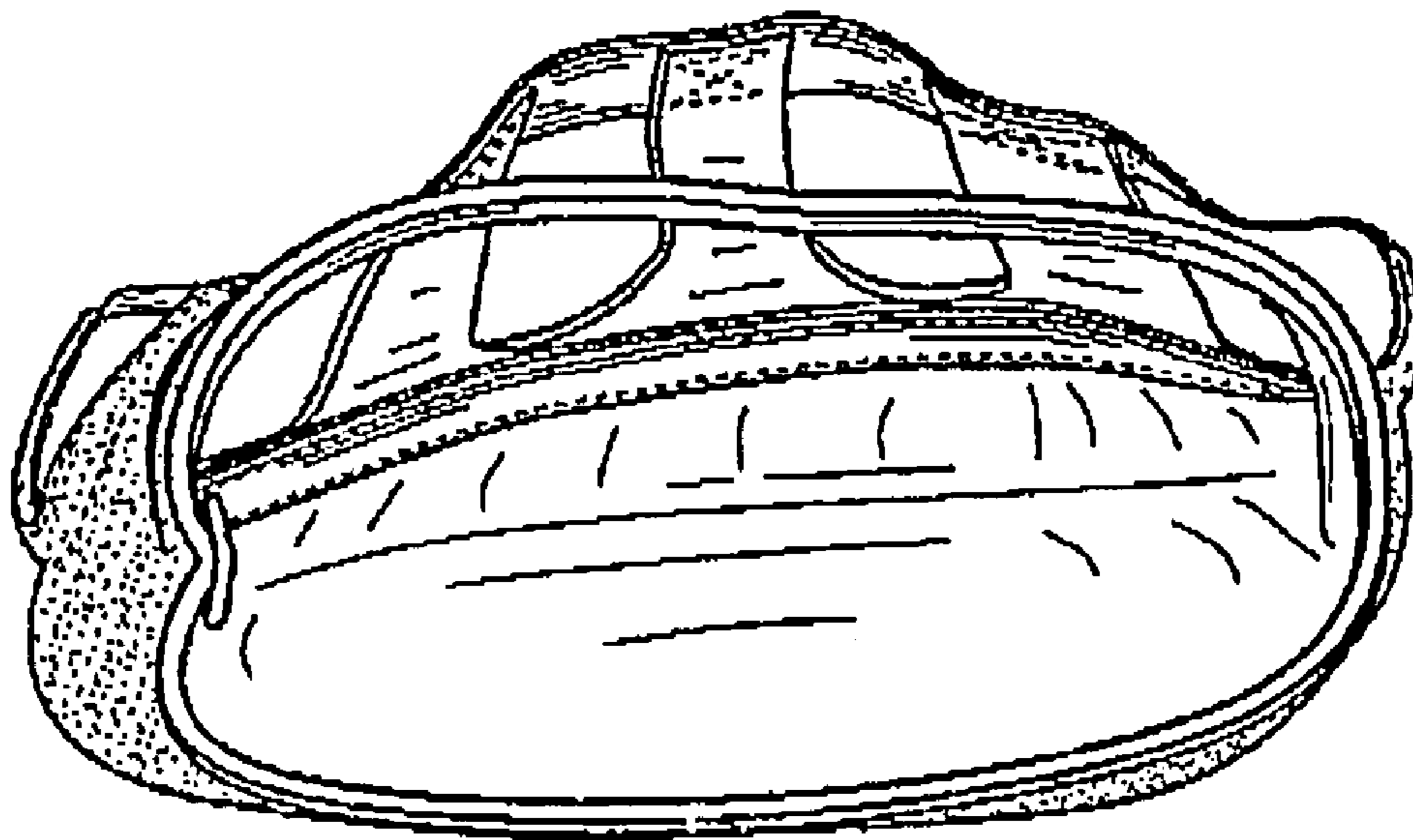


Fig. 7

Fig. 8

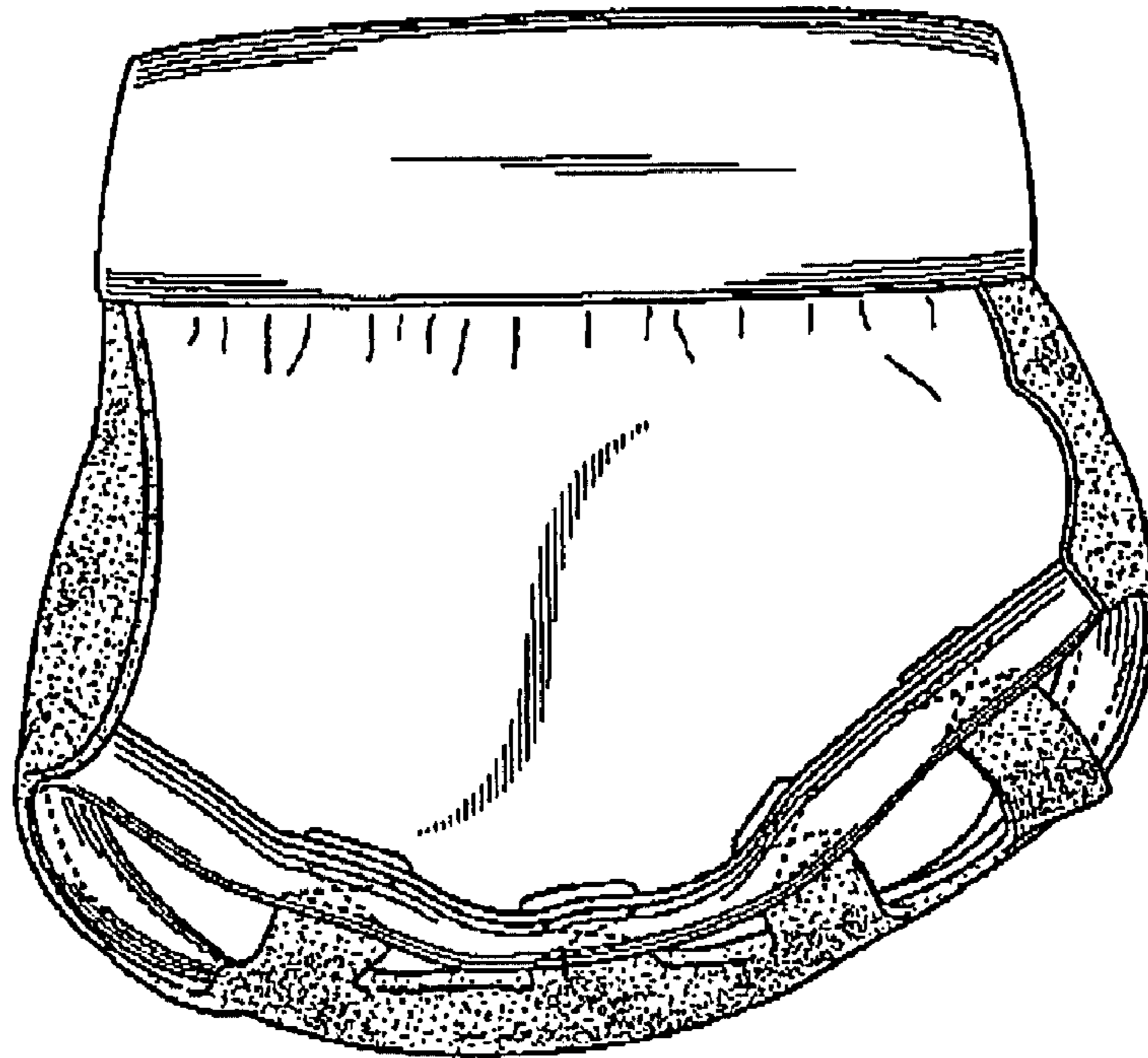


Fig. 9

