



US00D559503S

(12) **United States Design Patent**
Melton

(10) **Patent No.:** **US D559,503 S**

(45) **Date of Patent:** **** Jan. 15, 2008**

(54) **VISOR**

(76) **Inventor:** **Carla S. Melton**, 457 Main St.,
Longmont, CO (US) 80501

(**) **Term:** **14 Years**

(21) **Appl. No.:** **29/280,525**

(22) **Filed:** **May 30, 2007**

(51) **LOC (8) Cl.** **02-03**

(52) **U.S. Cl.** **D2/876**

(58) **Field of Classification Search** D2/865,
D2/866, 867, 869, 871, 872, 873, 874, 875,
D2/876, 877, 879, 881, 882, 884, 885, 886,
D2/887, 891, 892, 893, 894, 895; 2/10, 171,
2/171.1, 171.04, 171.4, 171.6, 171.8, 174,
2/175.1, 175.2, 175.3, 175.9, 181.4, 183,
2/184, 195.1, 195.2, 200.3, 209, 209.11, 209.12,
2/209.13, 209.3, 209.5, 410, 12, 172, 181,
2/204, 207

See application file for complete search history.

(56) **References Cited**

U.S. PATENT DOCUMENTS

D48,505 S * 2/1916 Schoble D2/886

(Continued)

OTHER PUBLICATIONS

U.S. Appl. No. 29/276,801, filed Feb. 6, 2007, Inventor Carla S. Melton. Conf. #9580.

Primary Examiner—Elizabeth A. Albert

Assistant Examiner—Karen E Eldridge Powers

(74) *Attorney, Agent, or Firm*—Patent Law Offices of Rick Martin, P.C.

(57) **CLAIM**

The ornamental design for a visor, as shown and described.

DESCRIPTION

FIG. 1 is a bottom plan view of all embodiments of my new design for a visor, wherein the irregular broken lines show an outline of a food package.

FIG. 2 is a top plan view of the embodiment shown FIG. 1.

FIG. 3 is a front elevation view of the embodiments shown in FIG. 1.

FIG. 4 is a rear elevation view of the embodiments shown in FIG. 1 and FIG. 8.

FIG. 5 is a right side elevation view of the embodiments shown in FIG. 1.

FIG. 6 is a left side elevation view of the embodiment shown FIG. 1.

FIG. 7 is a top perspective view of the embodiment shown FIG. 1.

FIG. 8 is a top plan view of a second embodiment of the design shown in FIG. 1.

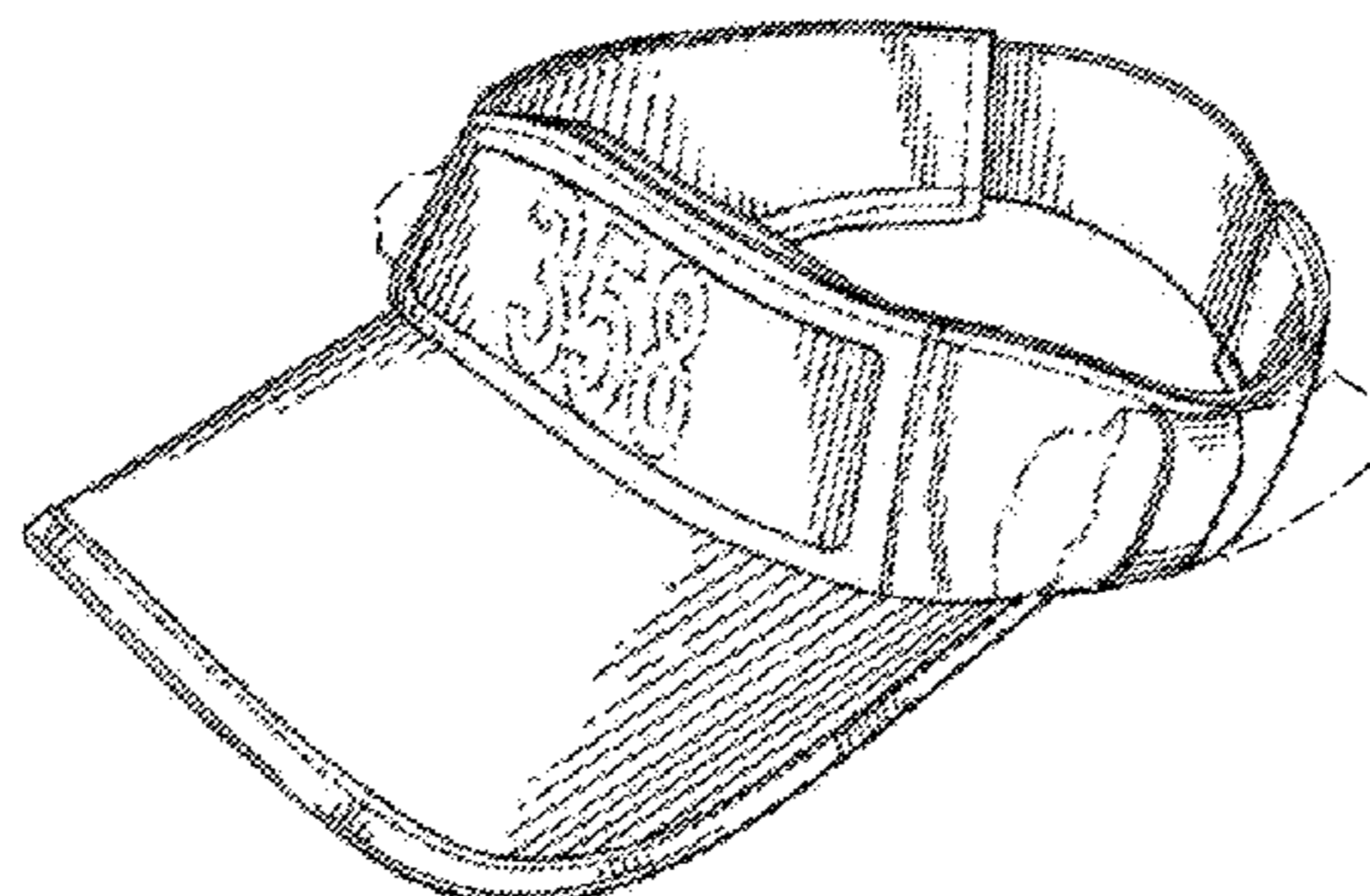
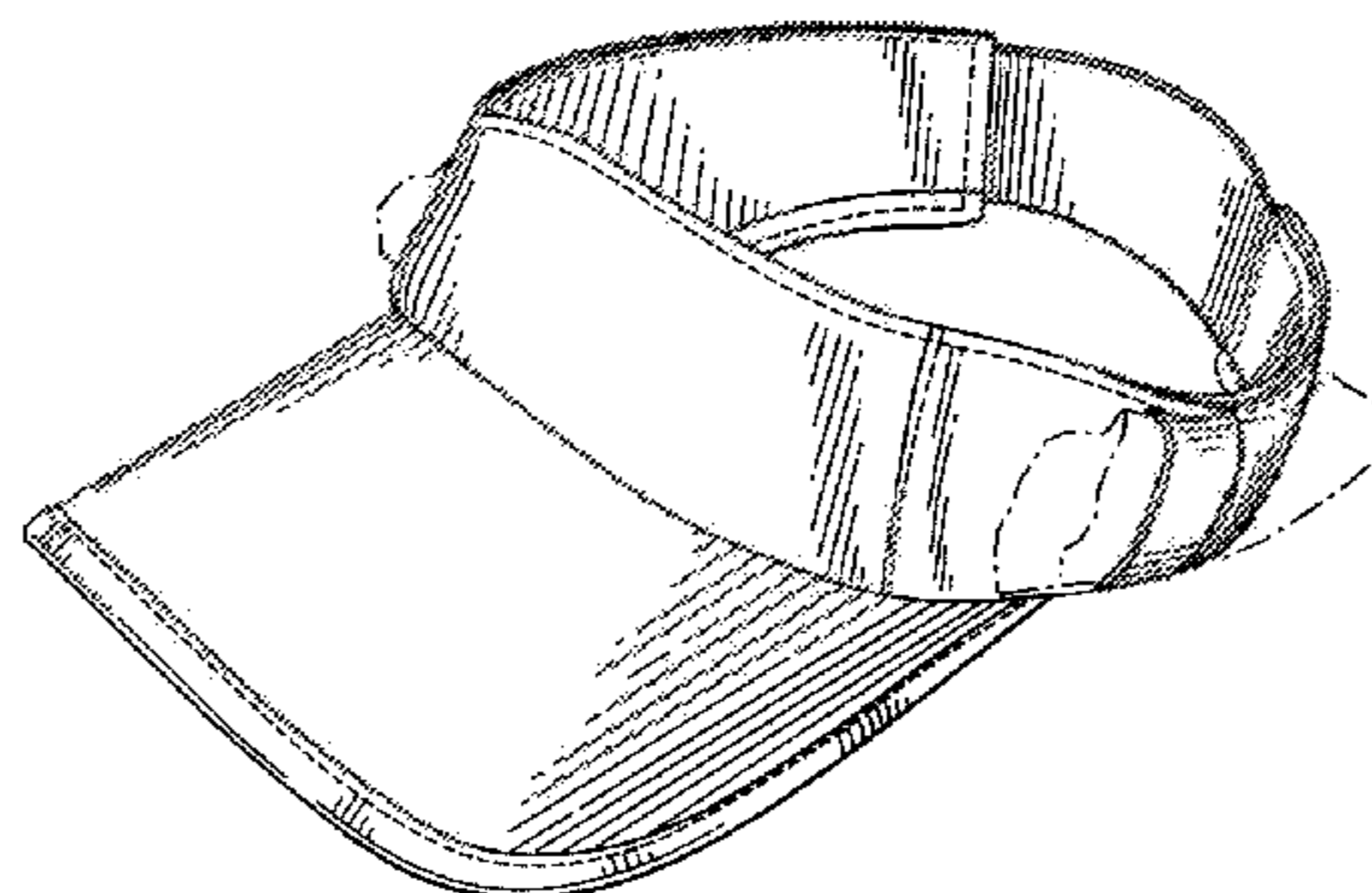
FIG. 9 is a front elevation view of the embodiment shown in FIG. 8.

FIG. 10 is an elevation view of the right and left sides, which are mirror images, of the embodiment shown in FIG. 8; and,

FIG. 11 is a top perspective view of the embodiment shown in FIG. 8.

The irregular broken lines indicating the outline of food packages and numerals, illustrate environmental matter and form no part of the claimed design. The evenly broken lines in all figures represent stitching.

1 Claim, 4 Drawing Sheets



US D559,503 S

Page 2

U.S. PATENT DOCUMENTS

1,535,841	A *	4/1925	Lupien	24/594.11				
D264,391	S *	5/1982	Schweitzer	D2/866				
D267,752	S *	2/1983	Fairbrother	D28/876				
D333,375	S	2/1993	Ouellette						
5,307,094	A *	4/1994	Gonzalez	351/59				
D347,104	S *	5/1994	Vossler	D2/887				
5,452,479	A *	9/1995	Mostert	2/195.1				
5,479,325	A *	12/1995	Chien	362/105				
5,581,813	A	12/1996	Henschel						
D384,488	S	10/1997	Kaufman						
D384,489	S *	10/1997	Ethier	D2/884				
D384,793	S	10/1997	Brown						
D396,738	S	8/1998	Territo						
5,826,277	A	10/1998	McConville						
D404,541	S *	1/1999	Danza	D2/866				
5,933,871	A *	8/1999	Kraft	2/209.13				
6,029,278	A *	2/2000	Lopez	2/209.13				
6,167,569	B1	1/2001	Conner, IV						
6,230,332	B1 *	5/2001	Gonzales	2/209.13				
D455,247	S *	4/2002	DeChambeau	D2/866				
D456,118	S	4/2002	Hill						
D459,059	S *	6/2002	Park	D2/876				
6,408,443	B1 *	6/2002	Park	2/195.1				
D459,861	S *	7/2002	Park	D2/876				
6,546,559	B1 *	4/2003	Bronson	2/12				
D474,328	S *	5/2003	Park	D2/893				
D482,185	S *	11/2003	Park	D2/876				
D494,341	S *	8/2004	Park	D2/876				
6,810,533	B1 *	11/2004	Nahabedian et al.	2/209.3				
D503,261	S	3/2005	Pedersen						
D514,282	S *	2/2006	Broome	D2/876				
7,003,809	B1	2/2006	Gordon						
7,047,571	B1 *	5/2006	Kelly	2/209.13				
D523,612	S *	6/2006	Steger	D2/882				
D527,870	S *	9/2006	Kim	D2/876				
7,165,273	B1 *	1/2007	Redmond	2/209.13				
D545,030	S *	6/2007	Fukunaga	D2/882				
2002/0095715	A1	7/2002	Hong						
2002/0108165	A1	8/2002	Porter et al.						
2003/0221234	A1 *	12/2003	Wang	2/12				
2006/0143786	A1 *	7/2006	Kim	2/171				
2007/0044203	A1 *	3/2007	Hall	2/171				

* cited by examiner

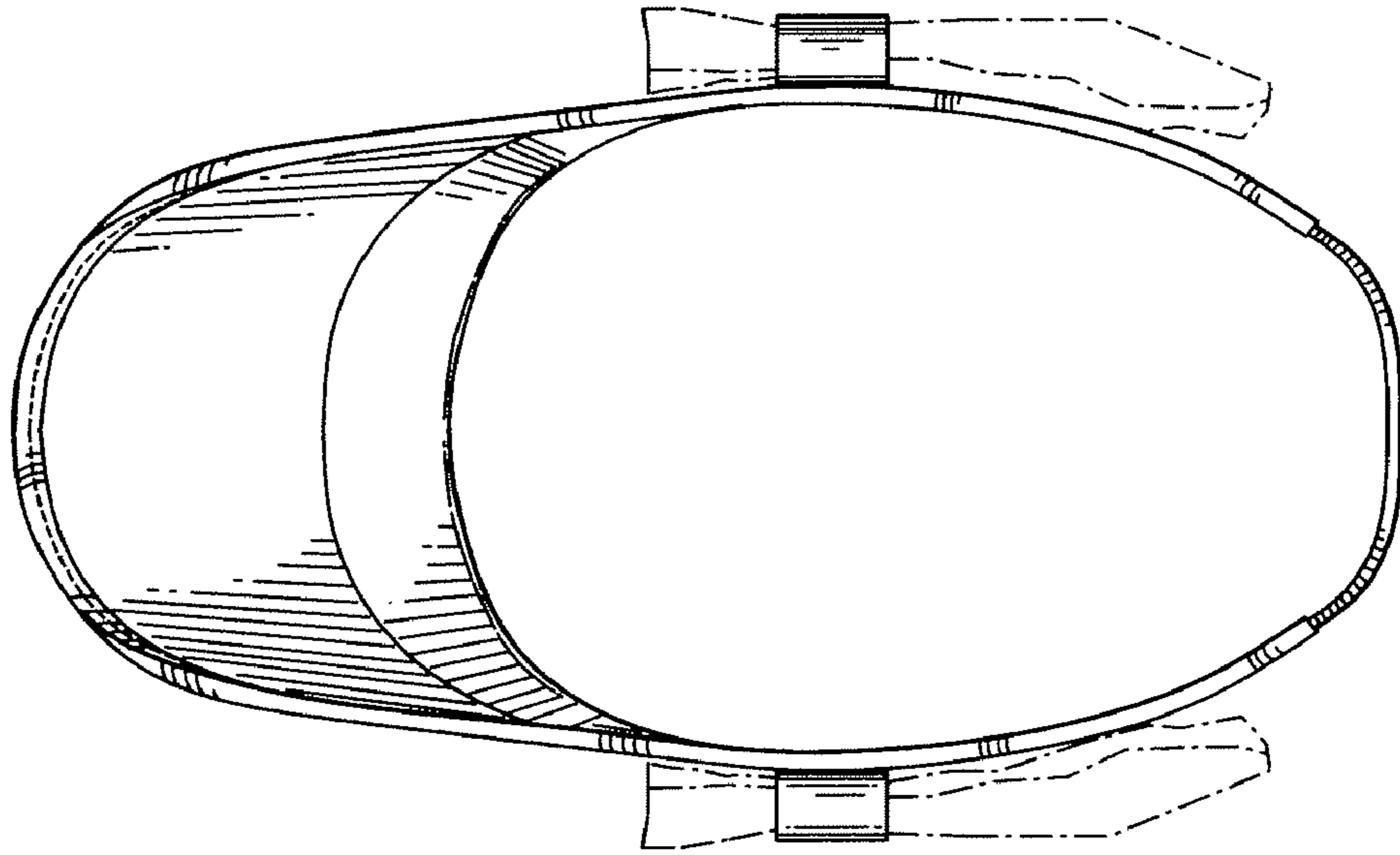


FIG.1

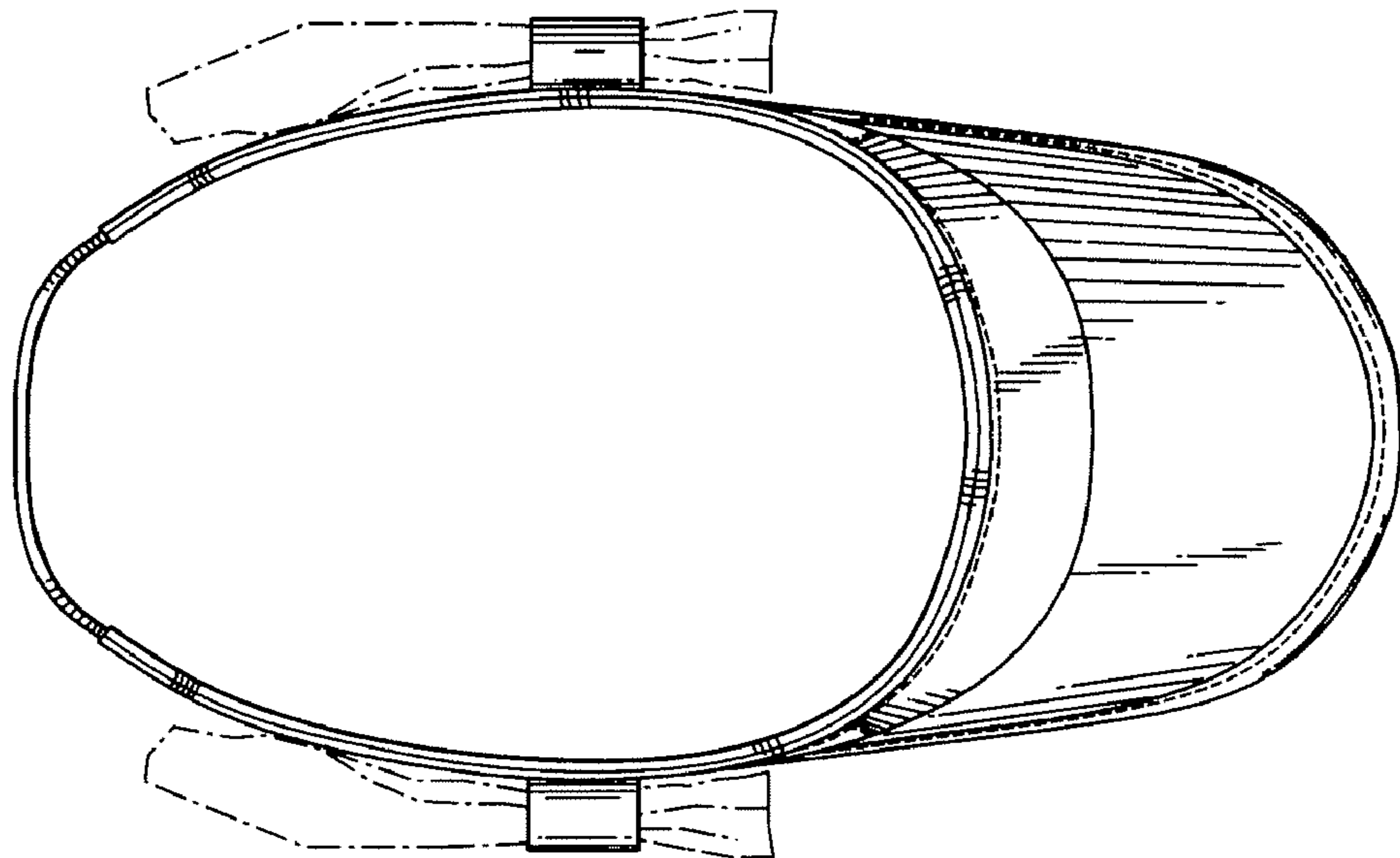


FIG.2

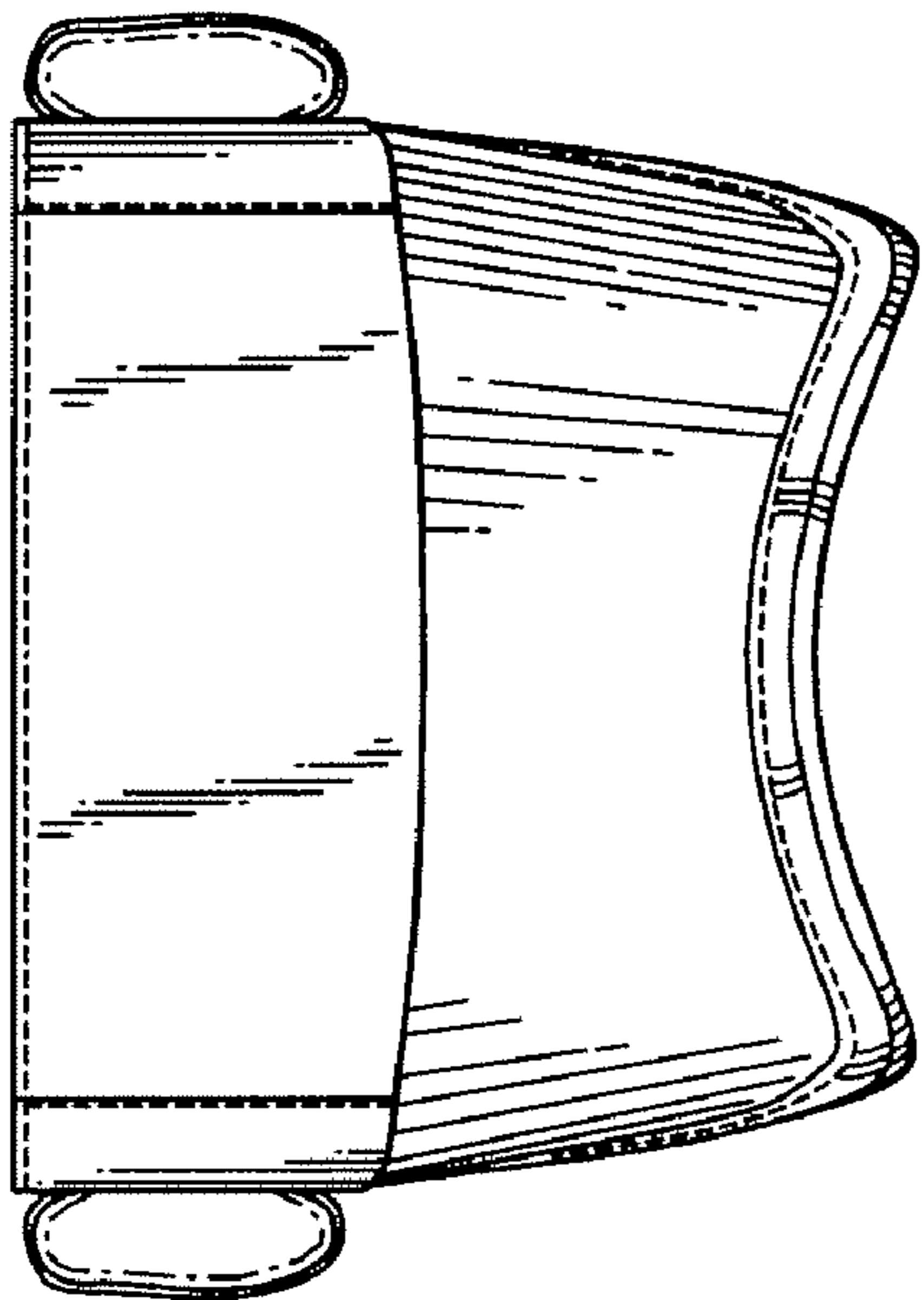


FIG.3

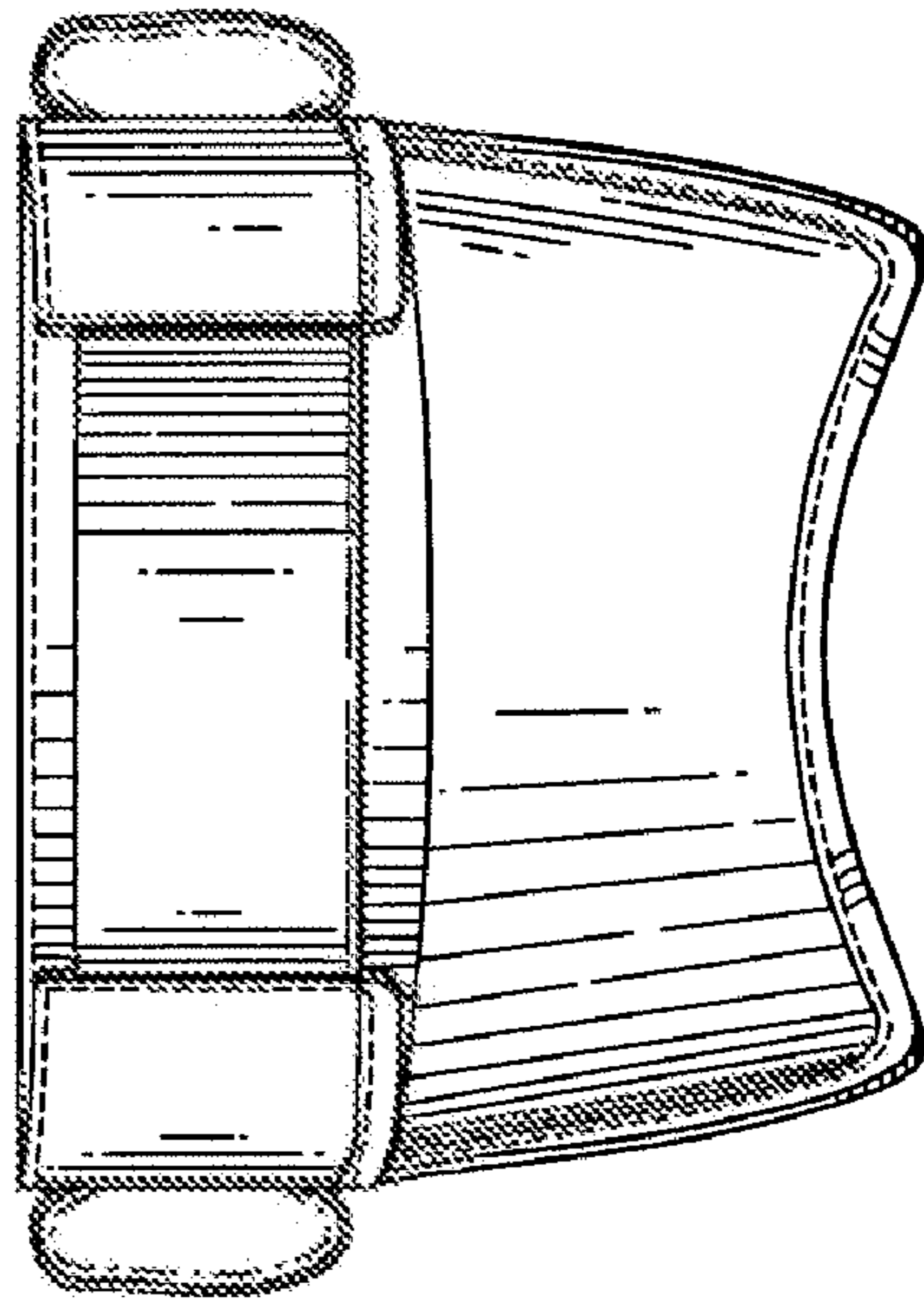


FIG.4

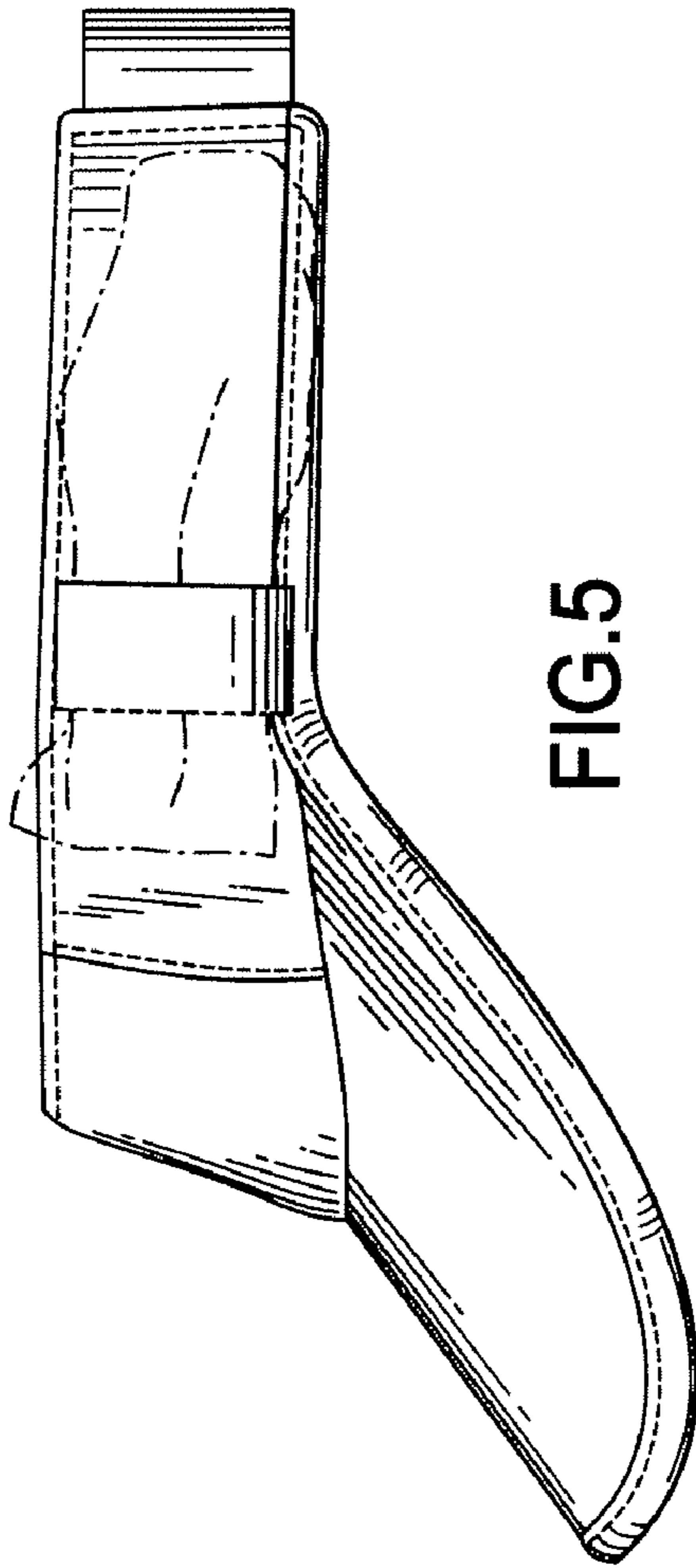


FIG.5

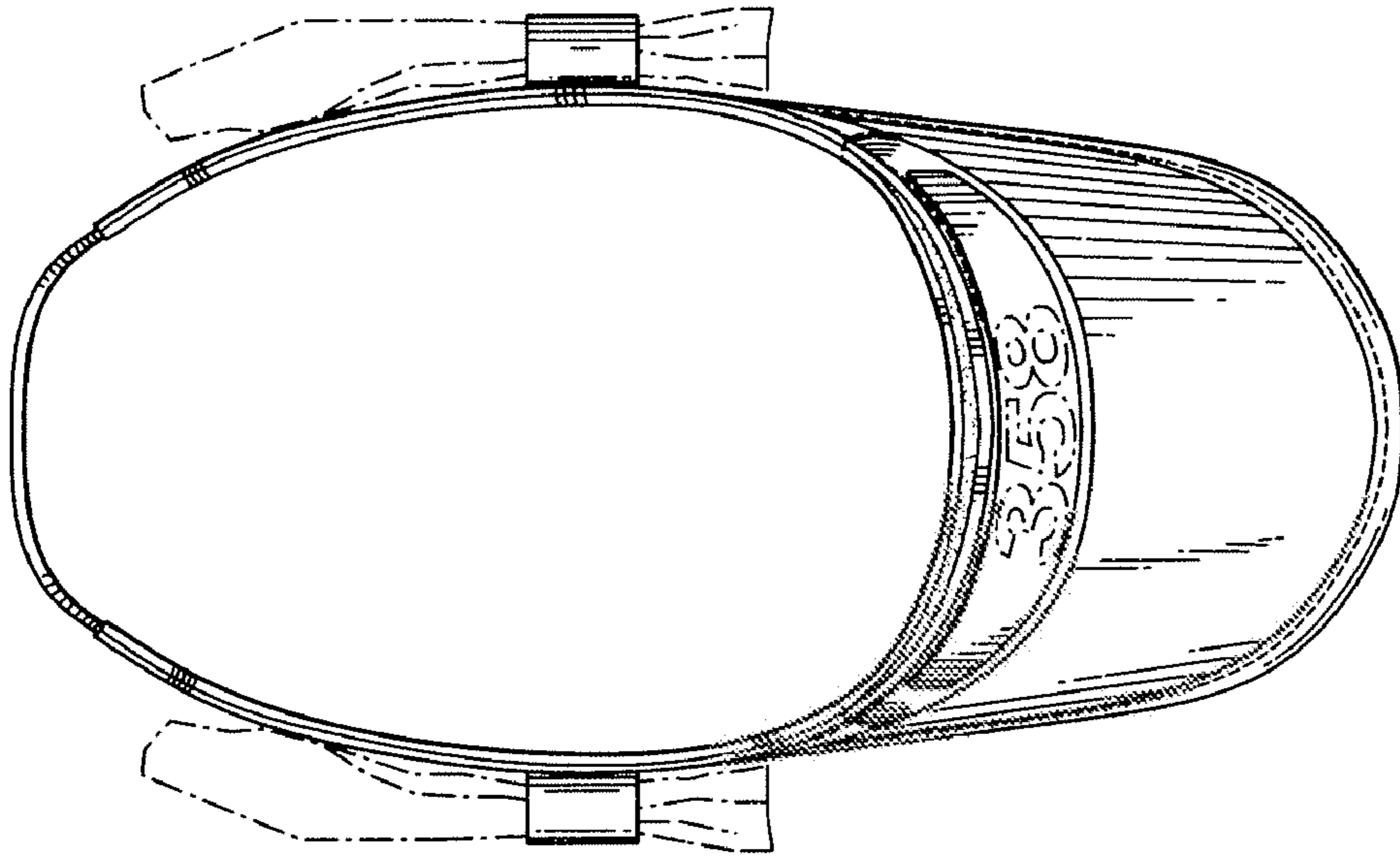


FIG. 8

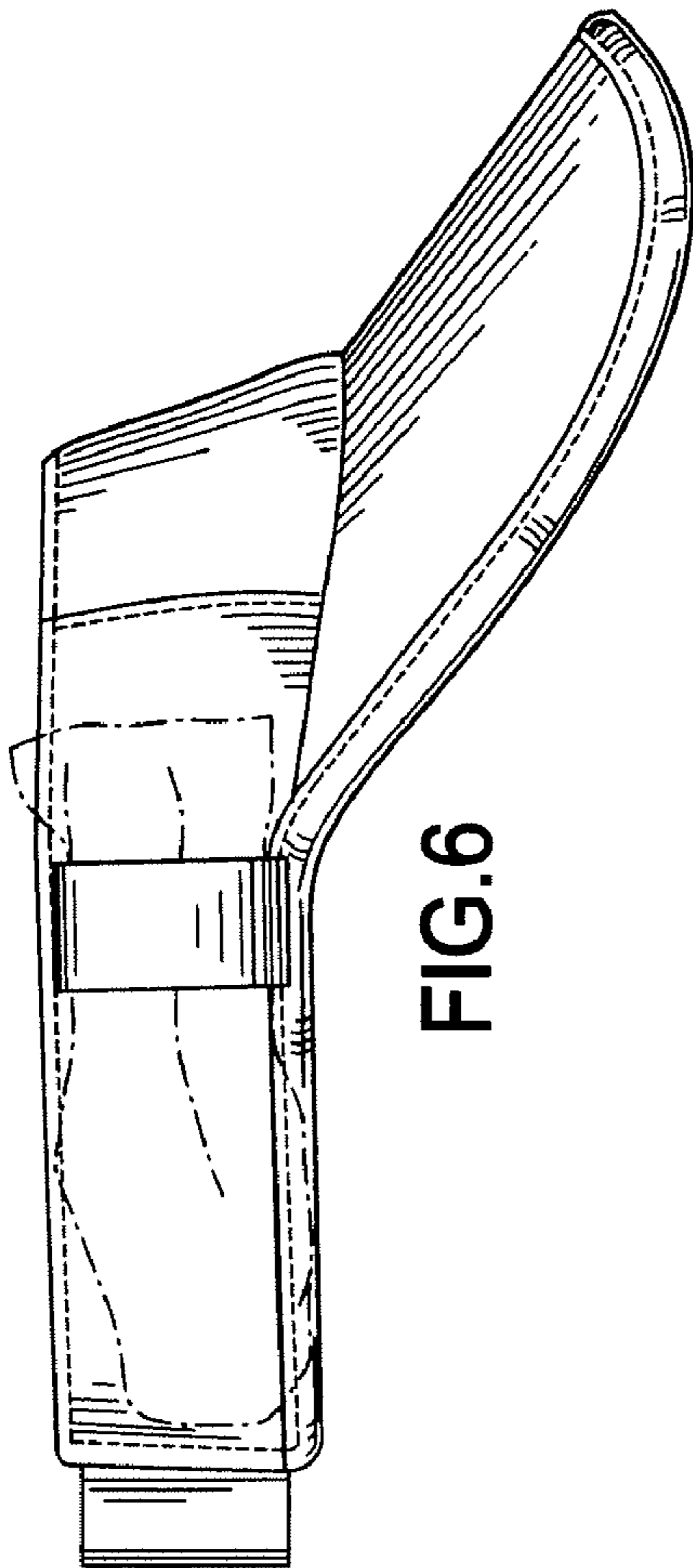


FIG. 6

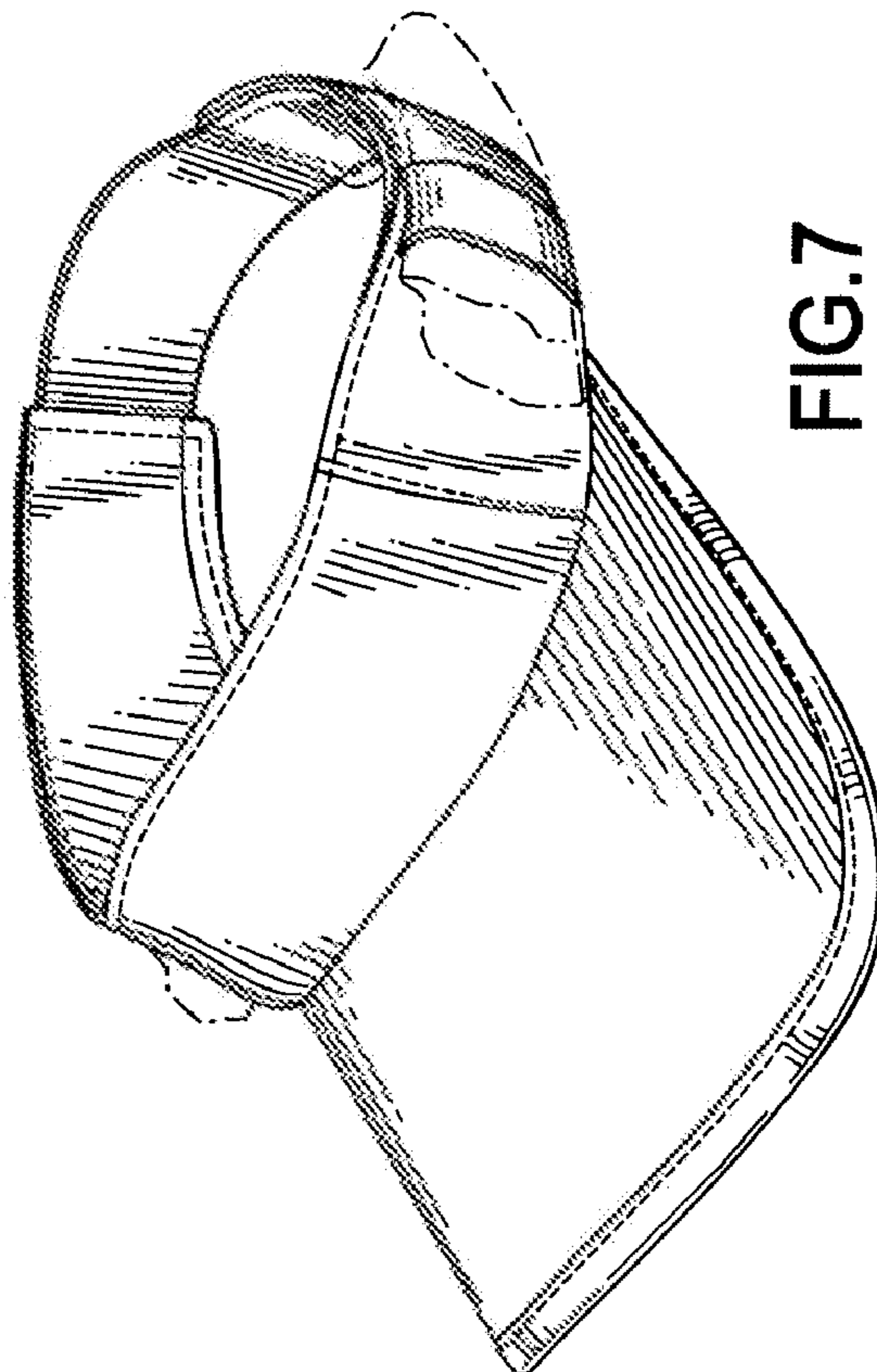


FIG. 7

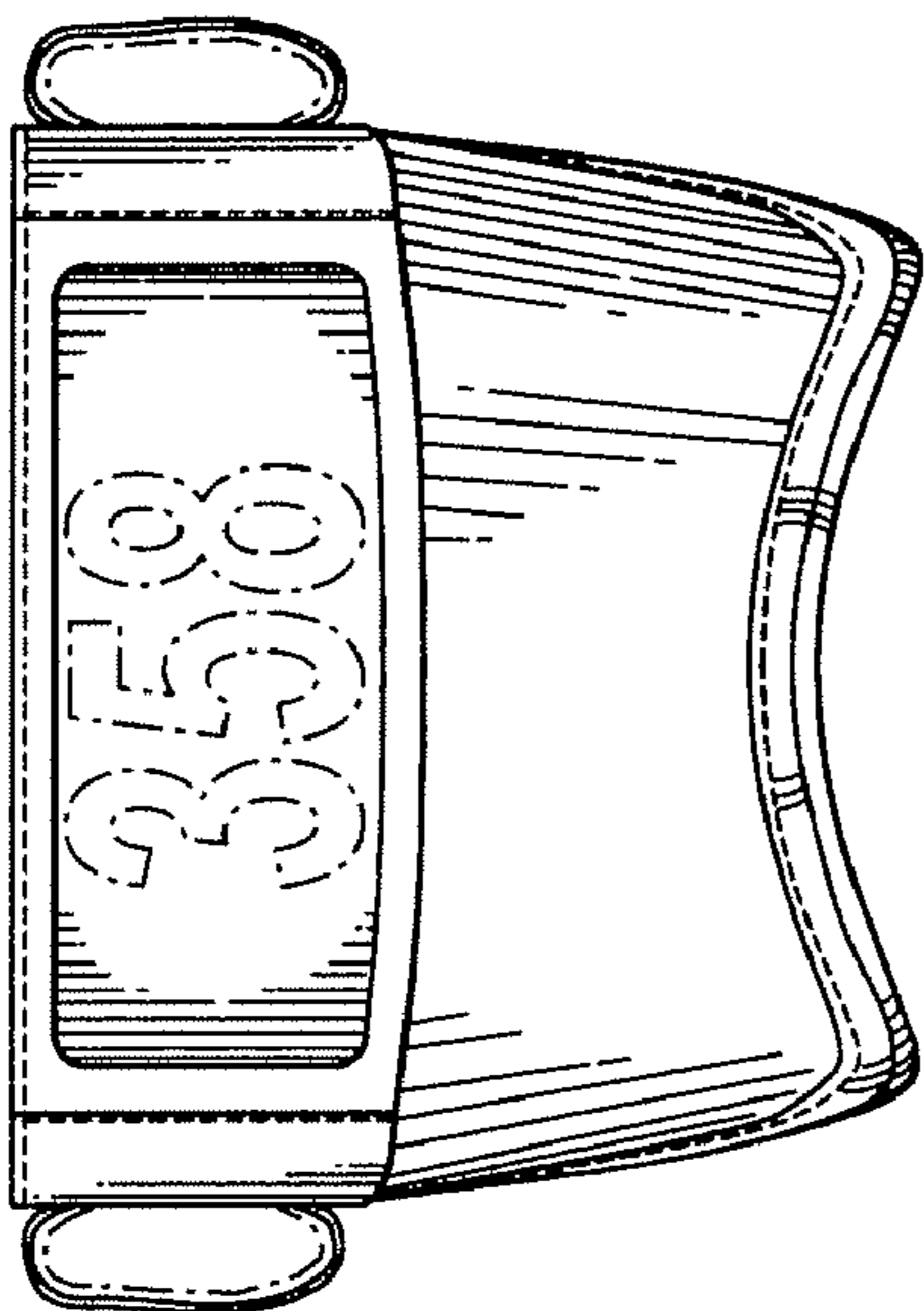


FIG. 9

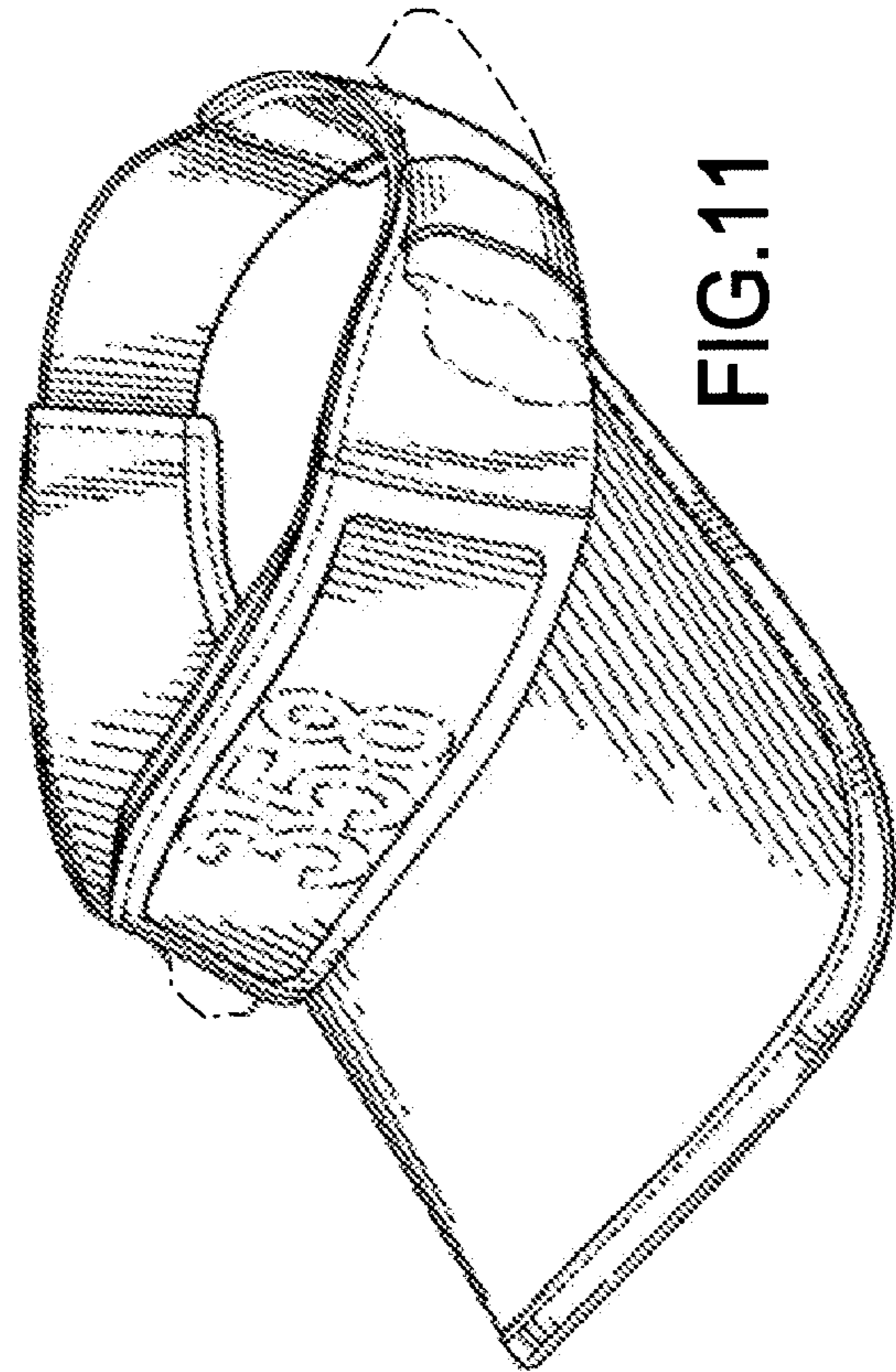


FIG. 11

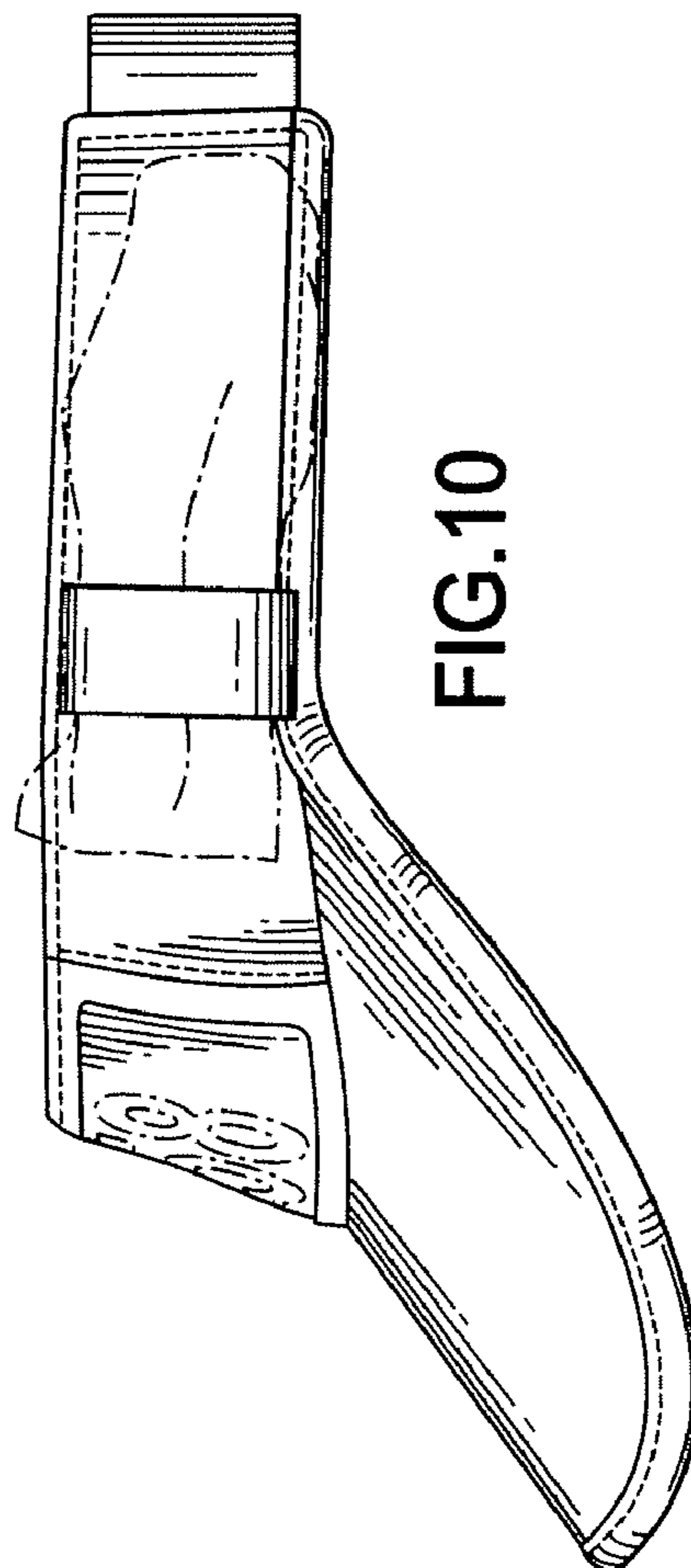


FIG. 10